



US00D370105S

United States Patent [19]

[11] **Patent Number: Des. 370,105**

Piner

[45] **Date of Patent: **May 21, 1996**

[54] **COMPARTMENTALIZED RECEPTACLE FOR SEPARATING TRASH AND RECYCLABLE MATERIALS**

Attorney, Agent, or Firm—Louis T. Isaf; Jeffrey R. Kuester; James A. Witherspoon

[76] Inventor: **Jackie L. Piner**, 999 Walker Dr., Locust Grove, Ga. 30248

[57] **CLAIM**

[**] Term: **14 Years**

The ornamental design for compartmentalized receptacle for separating trash and recyclable materials, as shown and described.

[21] Appl. No.: **35,880**

DESCRIPTION

[22] Filed: **Mar. 8, 1995**

[52] U.S. Cl. **D34/1**

[58] Field of Search D34/1, 6-9; 232/43.2; D32/37; 220/404, 675, 908-911

FIG. 1 is a front, perspective view of a compartmentalized receptacle showing my new design;
FIG. 2 is a front elevational view thereof;
FIG. 3 is a rear elevational view thereof;
FIG. 4 is a side elevational view thereof, the side opposite being a mirror image;
FIG. 5 is a top plan view thereof;
FIG. 6 is a bottom plan view thereof;
FIG. 7 is a rear, perspective view thereof in an opened configuration;
FIG. 8 is a cross-sectional view thereof, taken along line 8-8 of FIG. 4; and,
FIG. 9 is an enlarge, cut-away, rear, perspective view thereof in an opened configuration.
The broken line showing of a wall in FIGS. 5-7, containers in FIG. 7, and a bottle in FIG. 9 is for illustrative purposes only and forms no part of the claimed design.

[56] **References Cited**

U.S. PATENT DOCUMENTS

D. 324,120	2/1992	Ingram et al.	D34/1
D. 330,446	10/1992	Verzicco	D34/1
1,831,687	11/1931	Ross	220/908
2,531,444	11/1950	Lane	232/43.2
3,720,346	3/1973	Cypher	220/22.3
4,834,262	5/1989	Reed	220/404
4,905,853	3/1990	Strawder	220/1 T
5,203,618	4/1993	Oshall	220/404

Primary Examiner—A. Hugo Word
Assistant Examiner—Robin V. Taylor

1 Claim, 4 Drawing Sheets

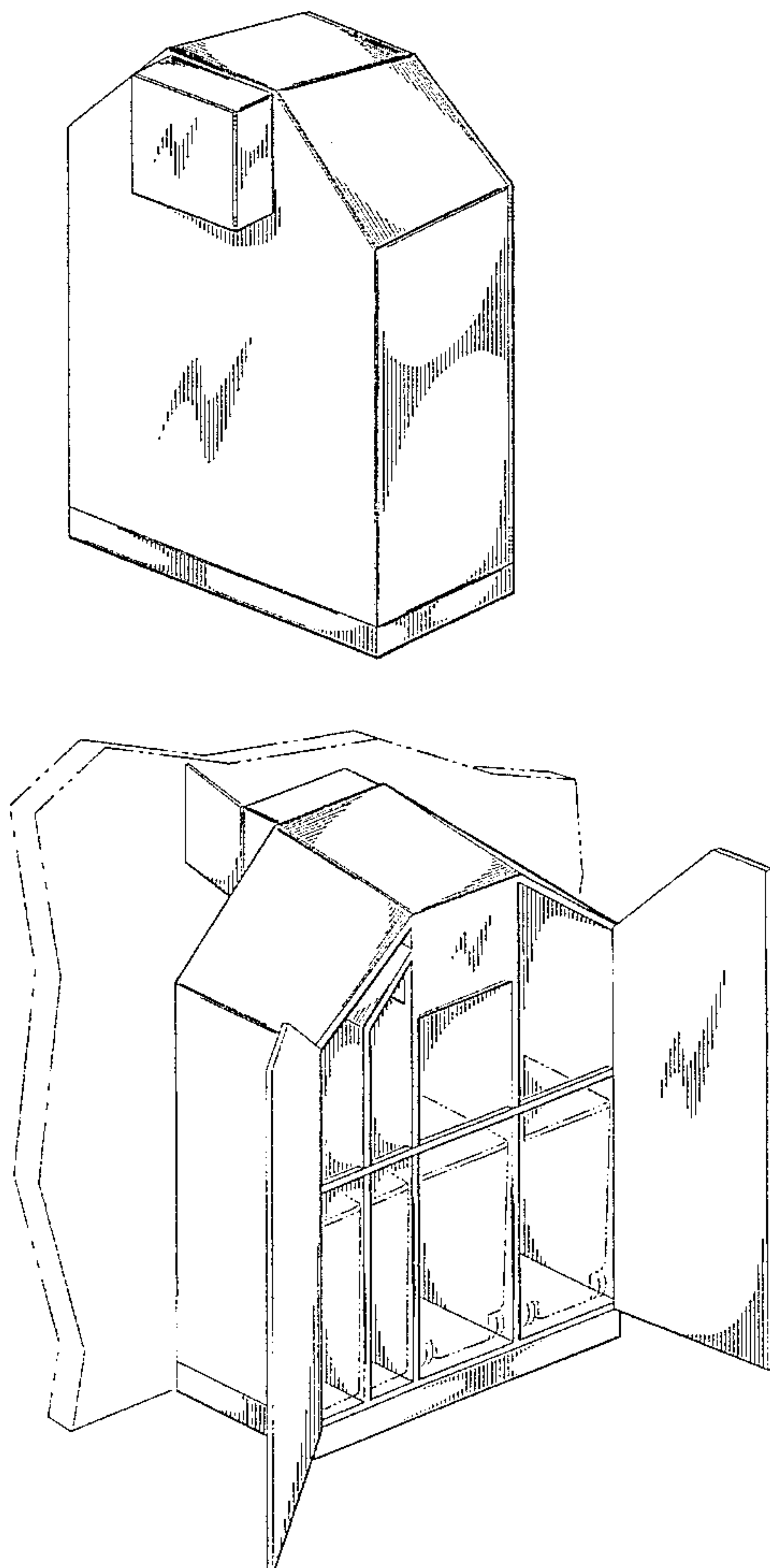


FIG. 1

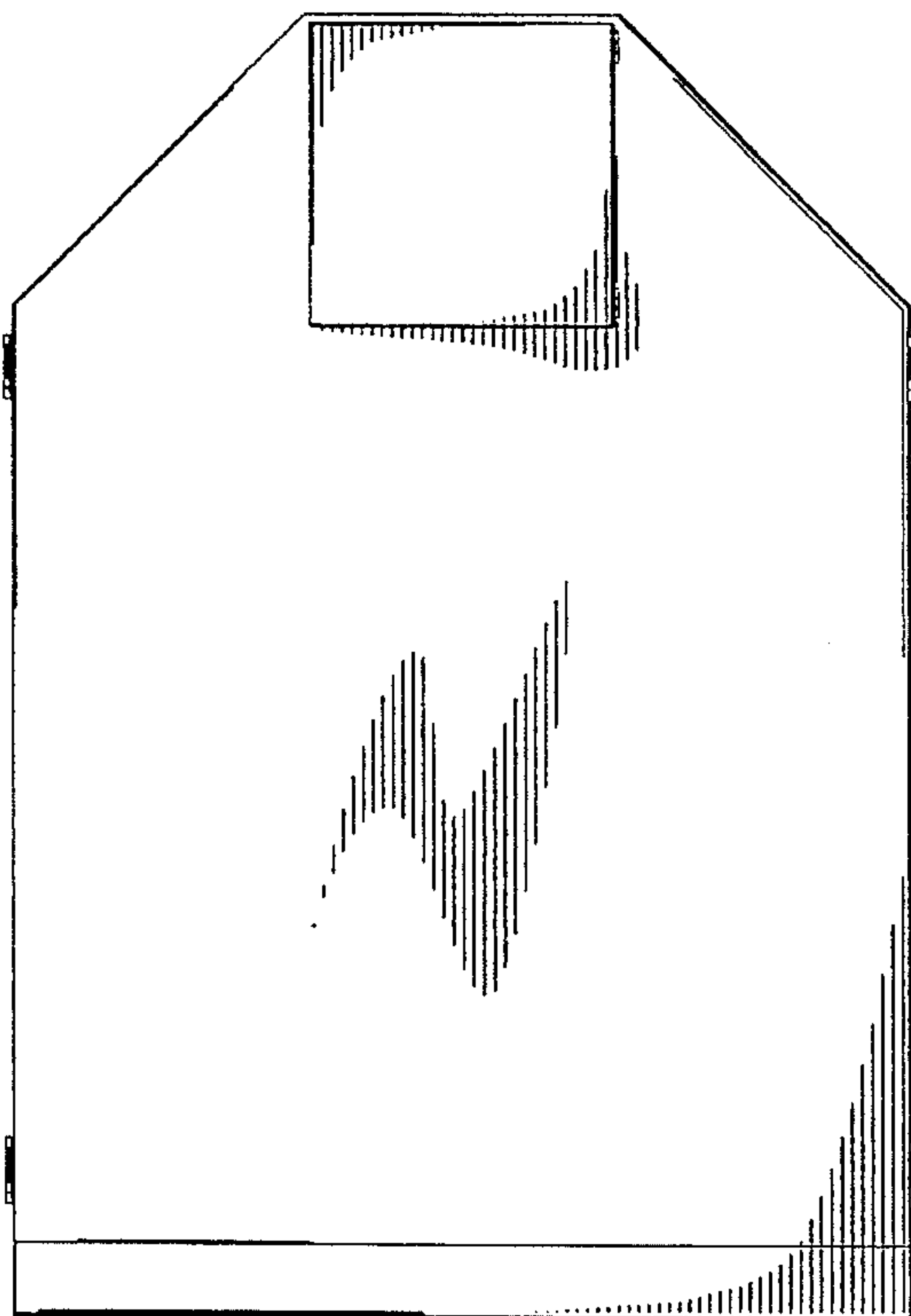
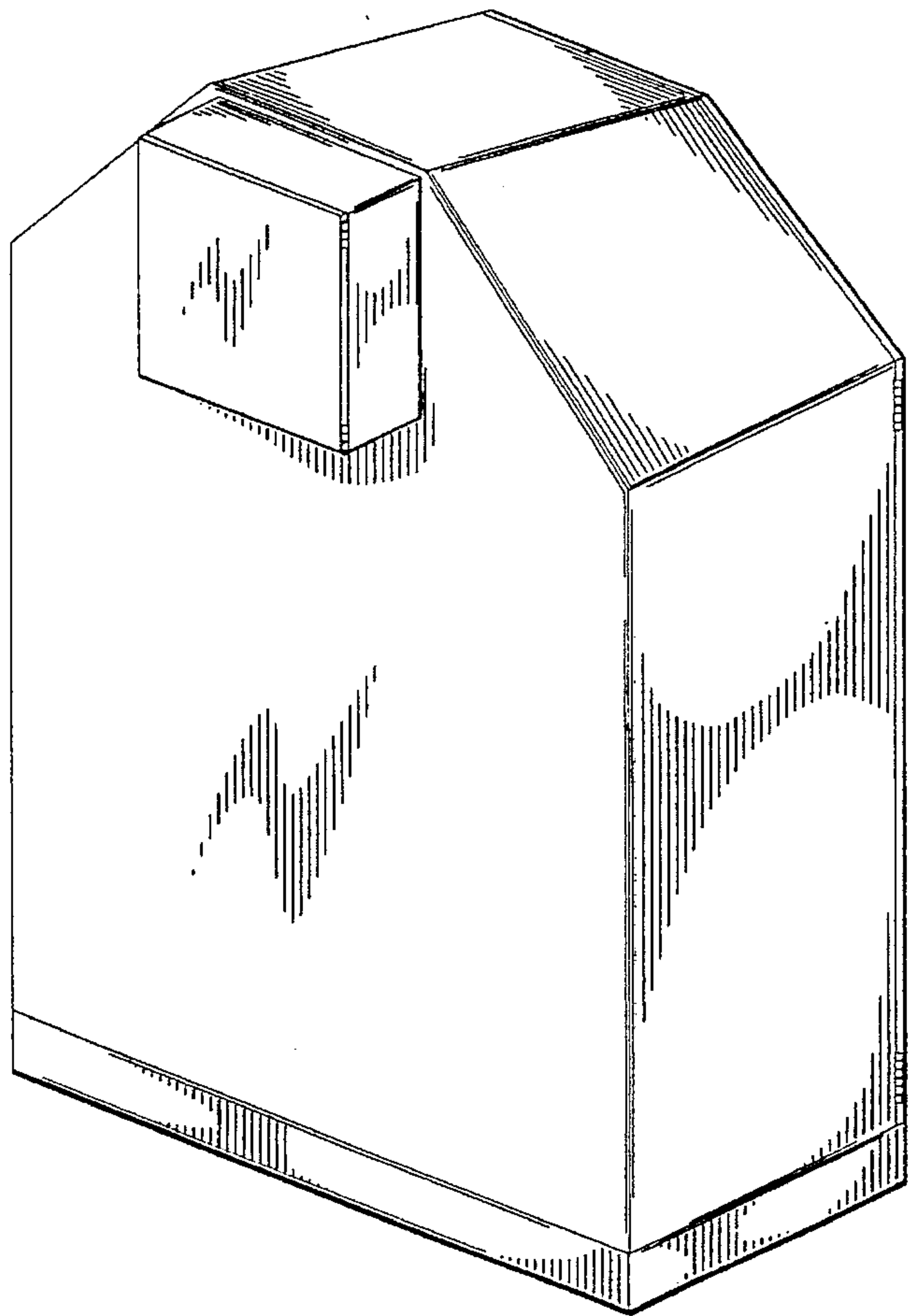


FIG. 2

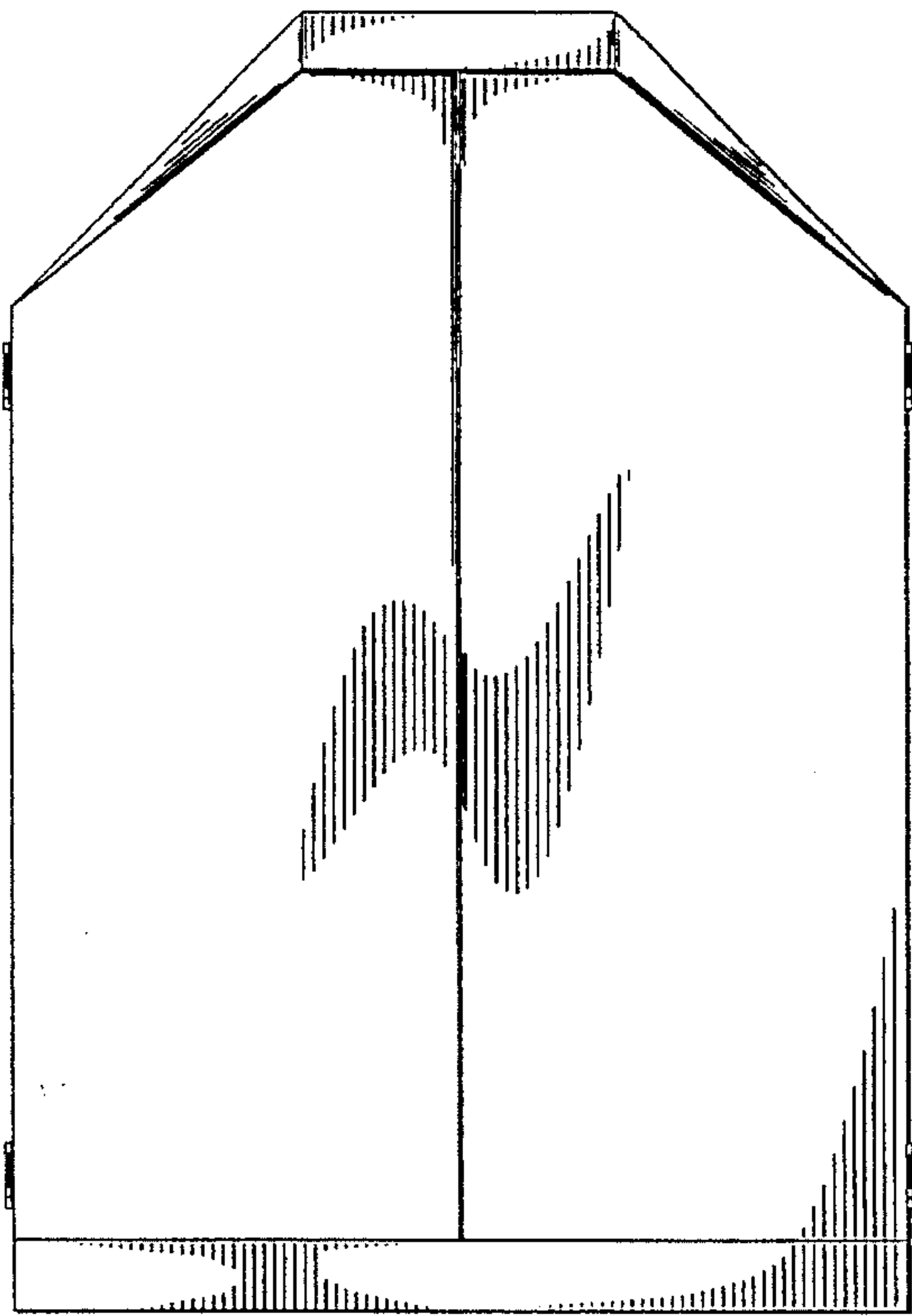


FIG. 3

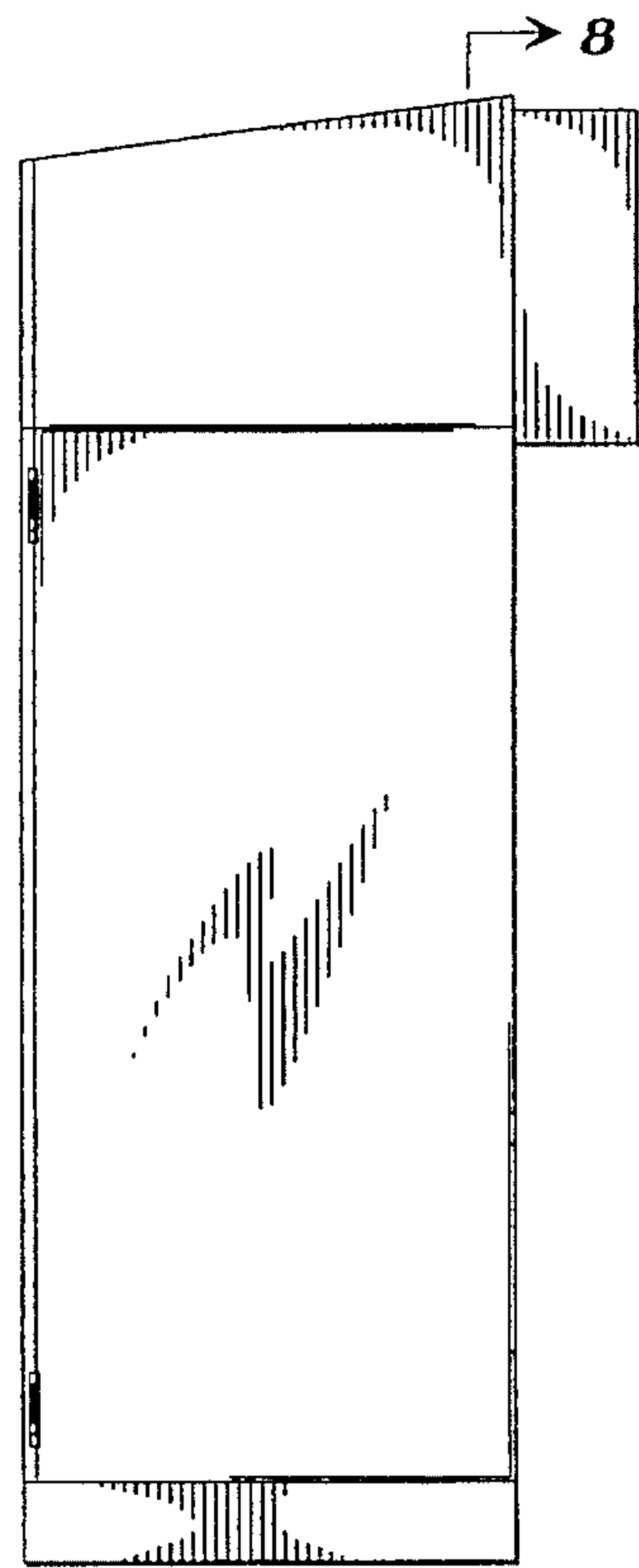


FIG. 4

FIG. 5

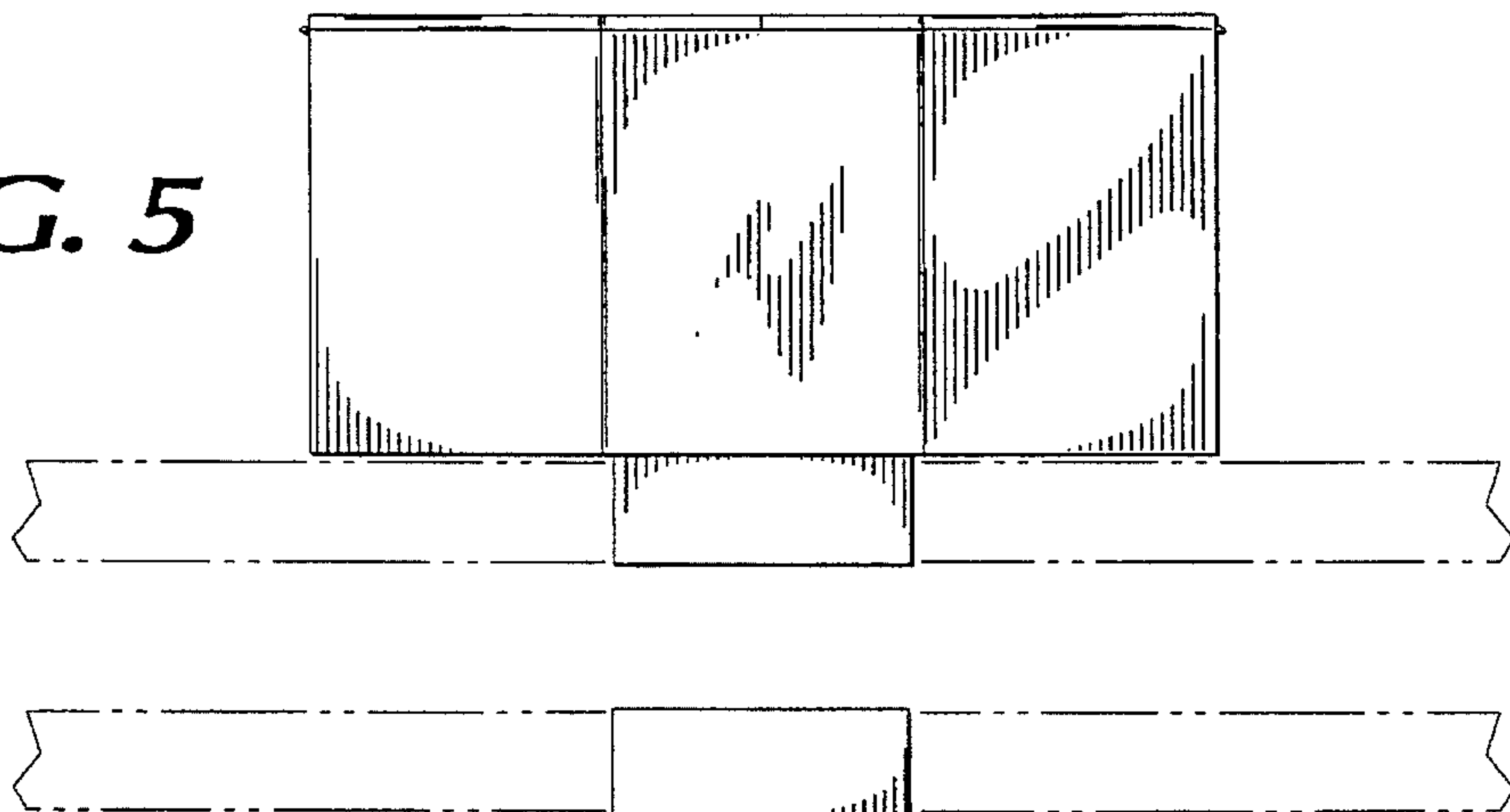
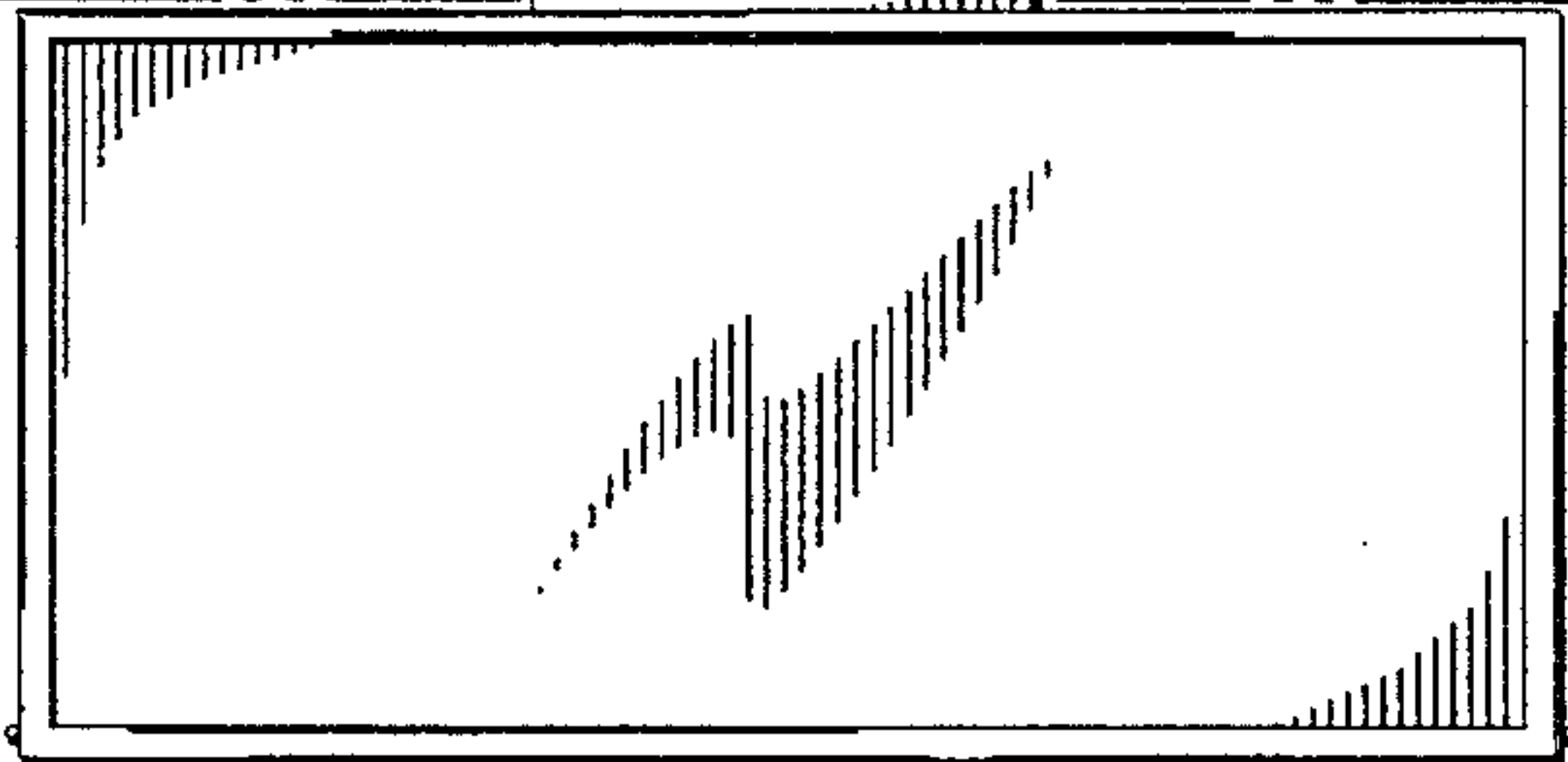


FIG. 6



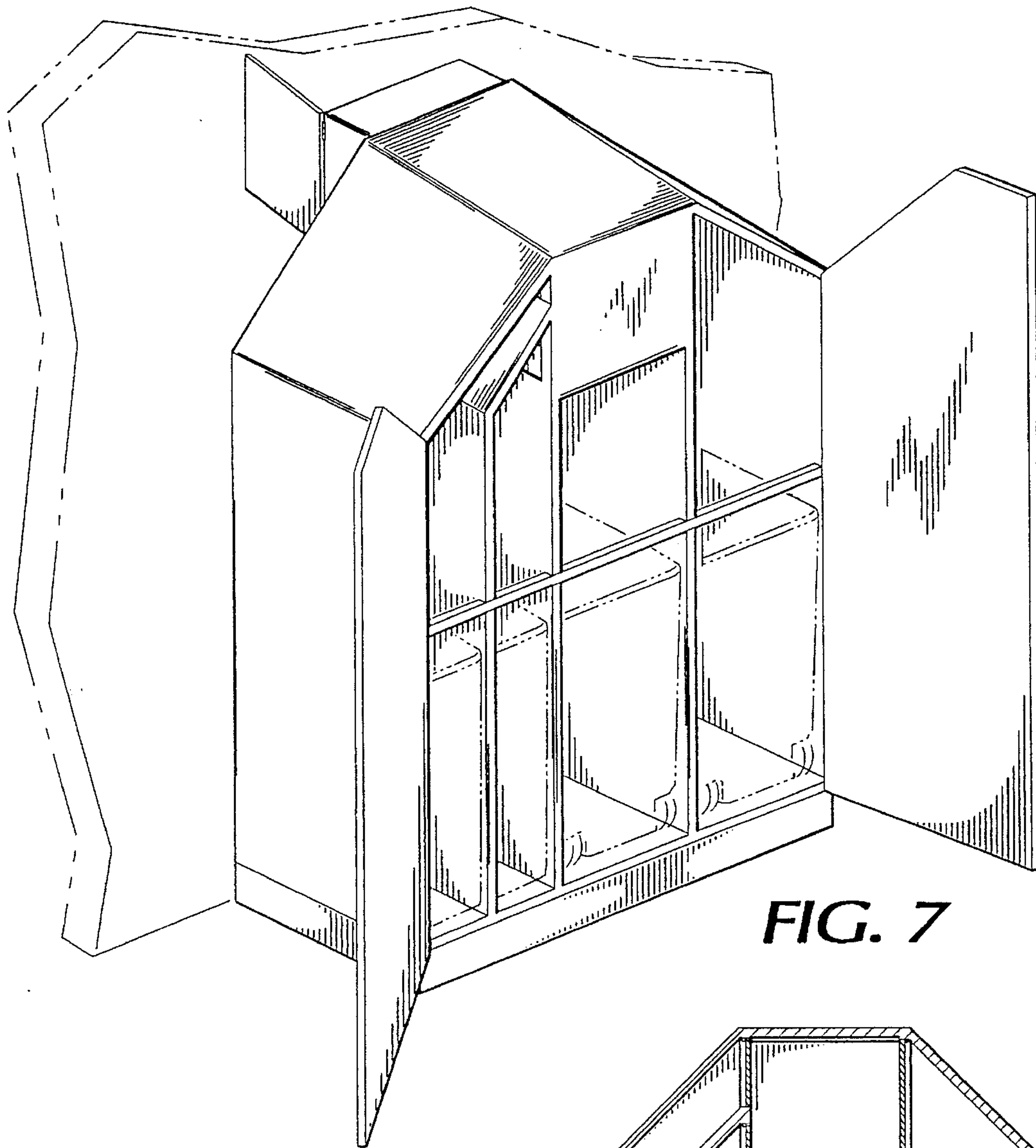


FIG. 7

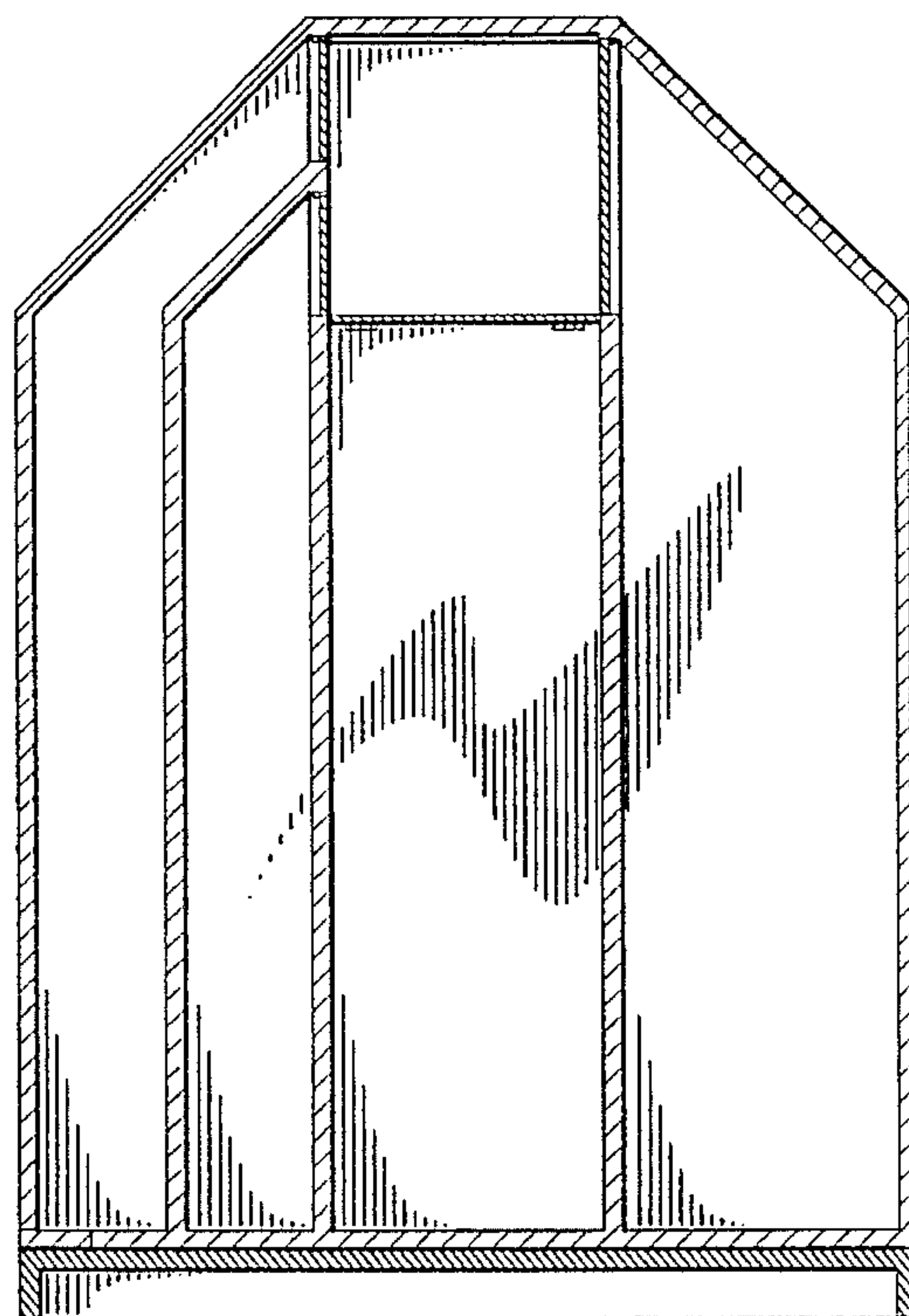


FIG. 8

FIG. 9

