



US00D370101S

# United States Patent [19]

Juratovac et al.

[11] Patent Number: **Des. 370,101**

[45] Date of Patent: **\*\*May 21, 1996**

[54] MOP HEAD YOKE

5,381,579 1/1995 Sartori ..... 15/116.2 X

[75] Inventors: **Diana W. Juratovac**, Columbus; **Paul A. Burger**, Milford, both of Ohio

*Primary Examiner*—A. Hugo Word  
*Assistant Examiner*—Cynthia E. Ramirez  
*Attorney, Agent, or Firm*—Biebel & French

[73] Assignee: **Vining Industries, Inc.**, Springfield, Ohio

[57] **CLAIM**

[\*\*] Term: **14 Years**

The ornamental design for a mop head yoke, as shown and described.

[21] Appl. No.: **17,136**

**DESCRIPTION**

[22] Filed: **Jan. 6, 1994**

[52] U.S. Cl. .... **D32/50**

[58] **Field of Search** ..... D32/50, 51, 52;  
15/115, 119.2, 116.2, 118, 229.3, 229.6,  
229.7, 229.8, 228

FIG. 1 is a right, front perspective view of the mop head yoke showing our new design;  
FIG. 2 is a front elevational view thereof;  
FIG. 3 is a rear elevational view thereof;  
FIG. 4 is a left side elevational view thereof;  
FIG. 5 is a right side elevational view thereof;  
FIG. 6 is a top plan view thereof; and,  
FIG. 7 is a bottom plan view thereof.

[56] **References Cited**

**U.S. PATENT DOCUMENTS**

D. 295,913	5/1988	Jones et al. ....	D32/51 X
D. 300,575	4/1989	O'Neil, Jr. ....	15/119.2 X
4,516,287	5/1985	Johnson et al. ....	15/119.2
4,604,767	8/1986	Birkhart et al. ....	15/118 X
4,654,920	4/1987	O'Neil, Jr. et al. ....	15/119.2
5,097,561	3/1992	Torres ....	15/116.2 X

The broken line showing of the mop head and the handle in FIG. 1 and the broken line showing of the mop head in FIGS. 2, 4, 5 and 6 is for illustrative purposes only and forms no part of the claimed design.

**1 Claim, 4 Drawing Sheets**

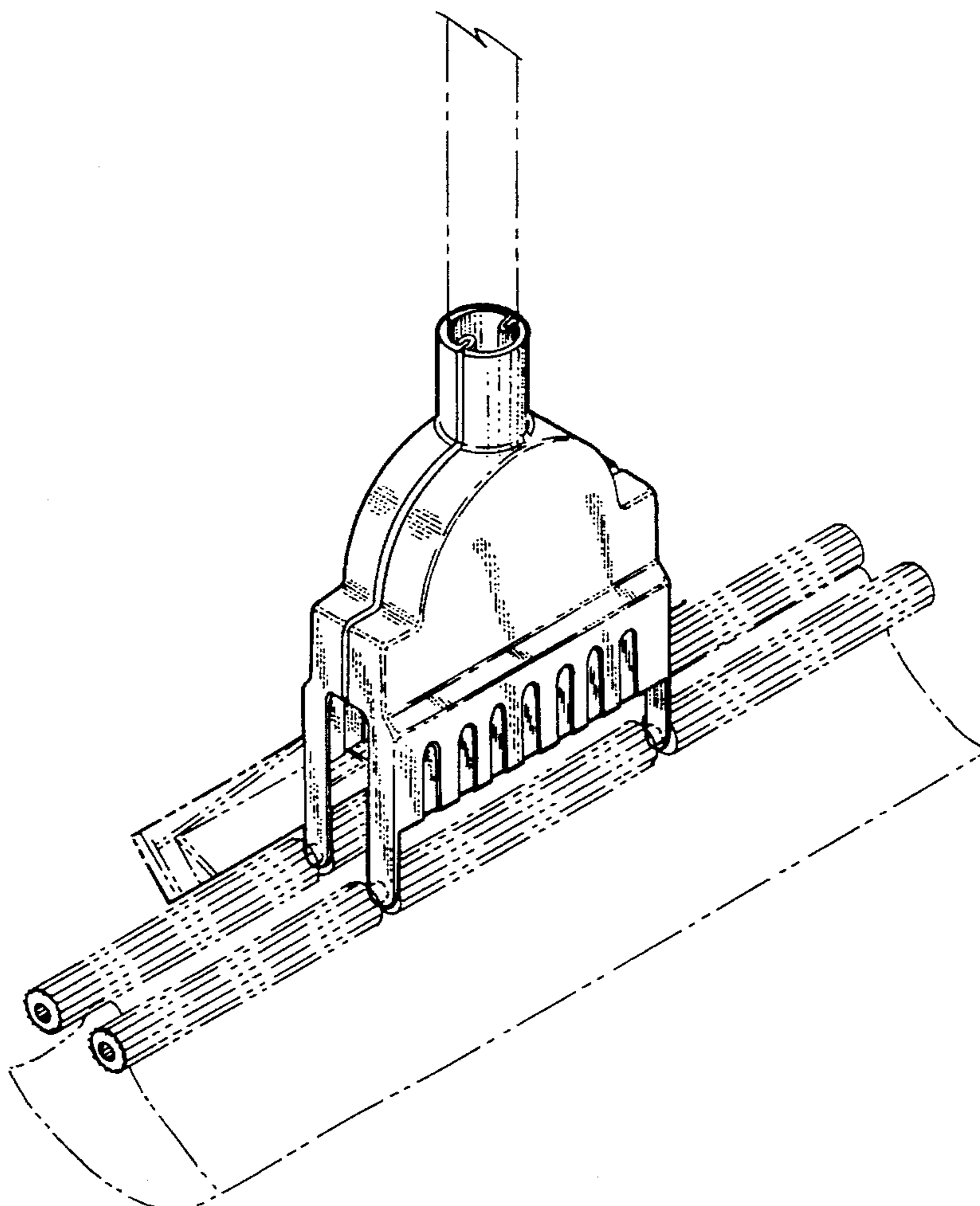
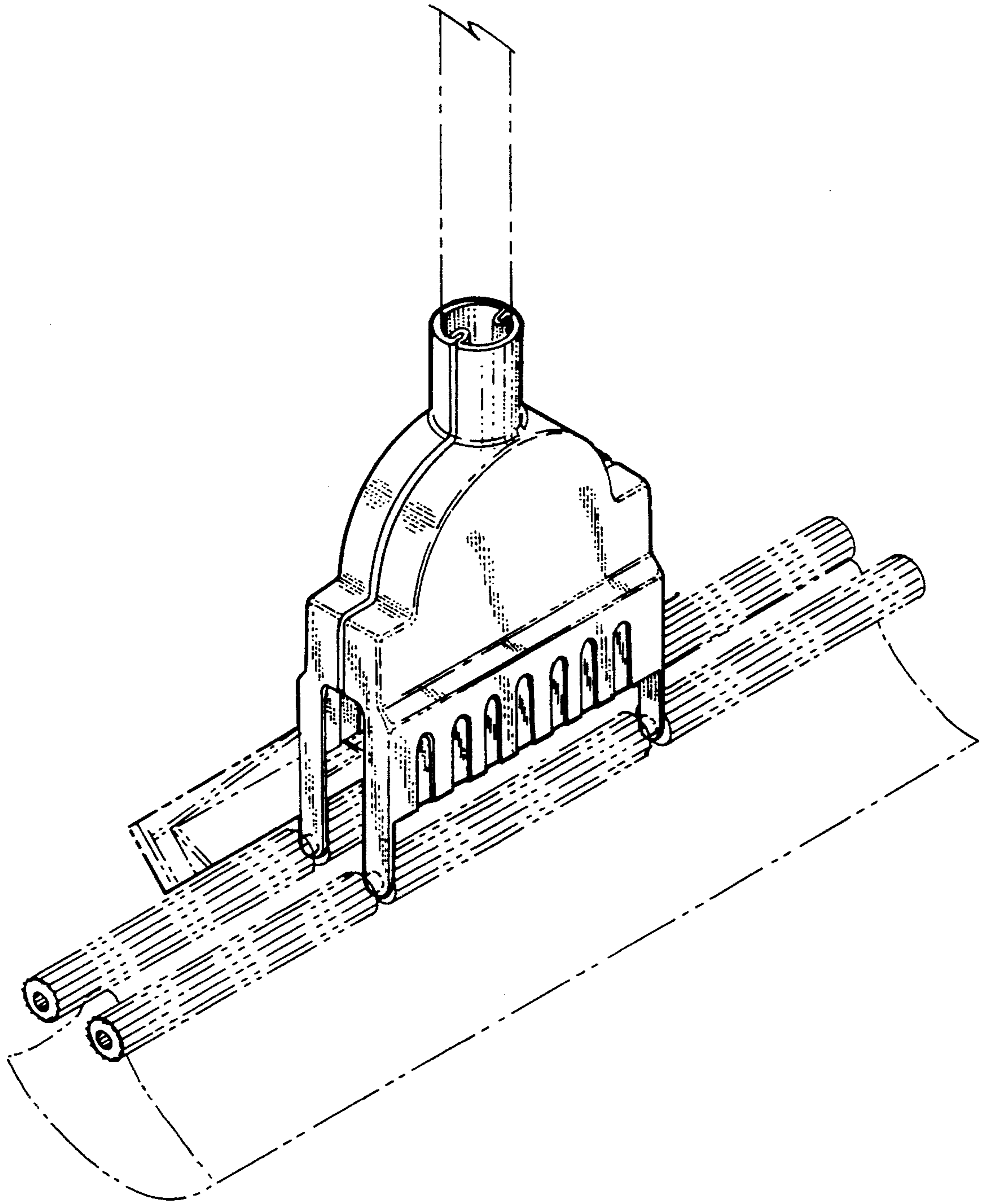


FIG -1



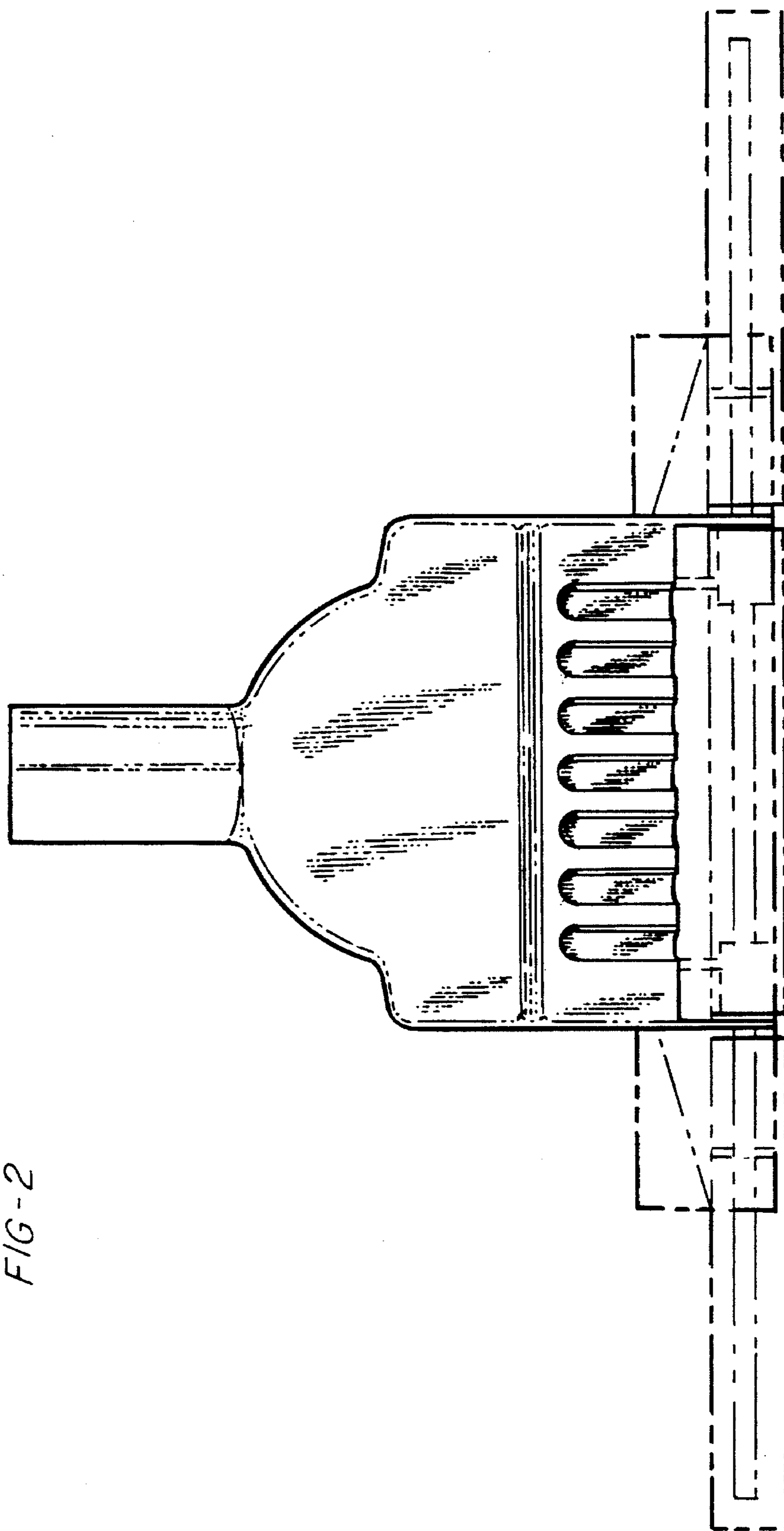


FIG-2

FIG-5

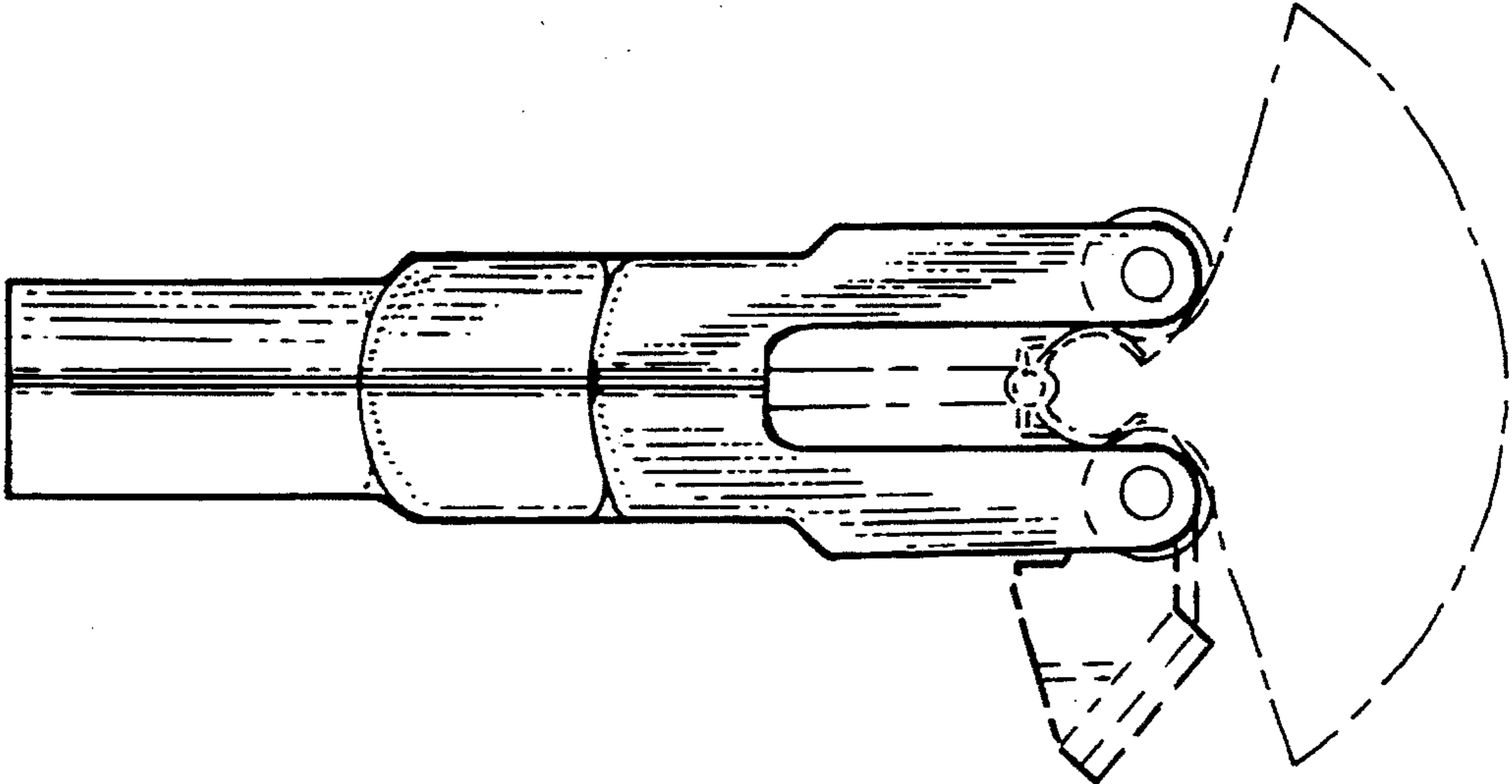


FIG-4

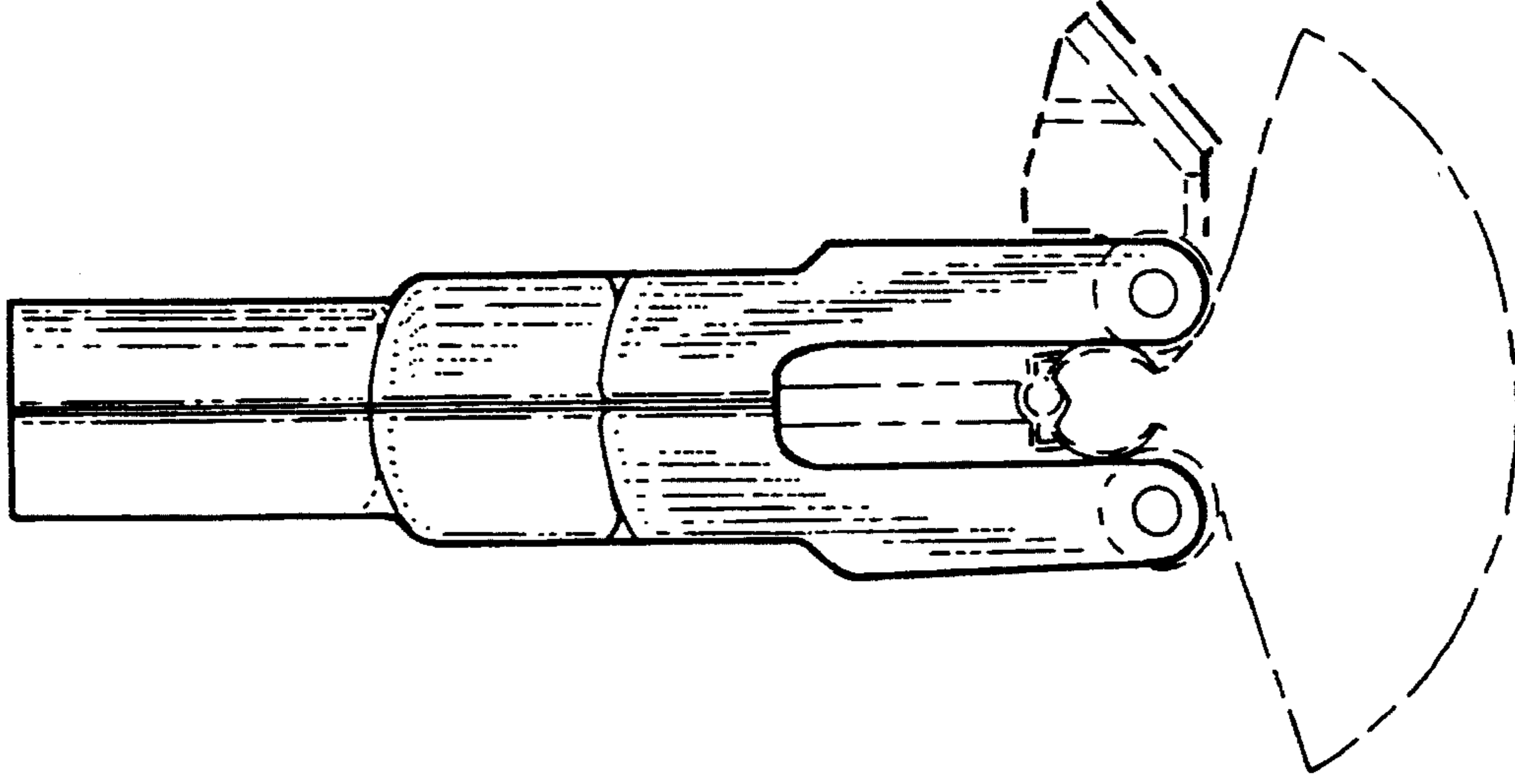


FIG-3

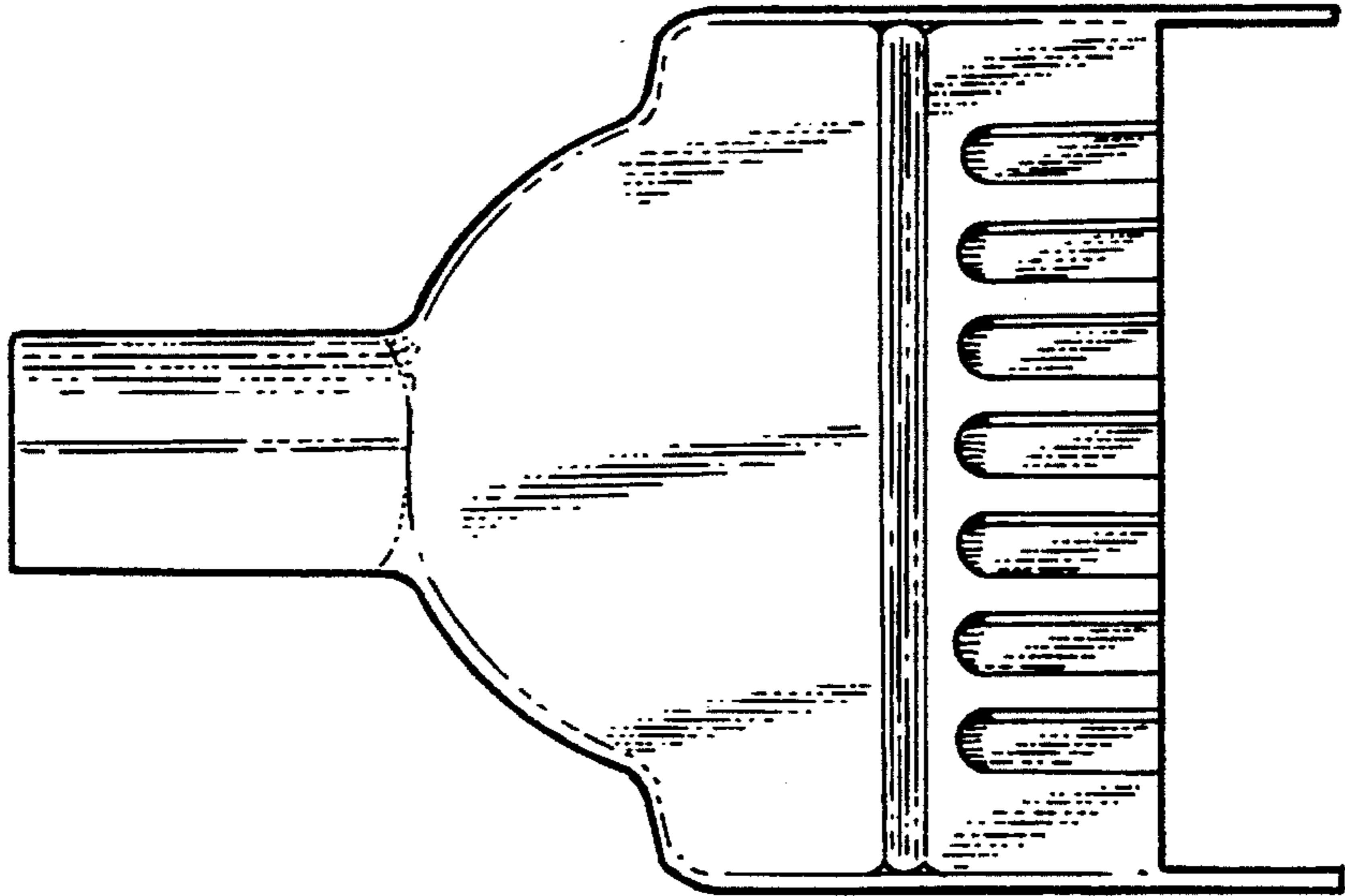


FIG - 6

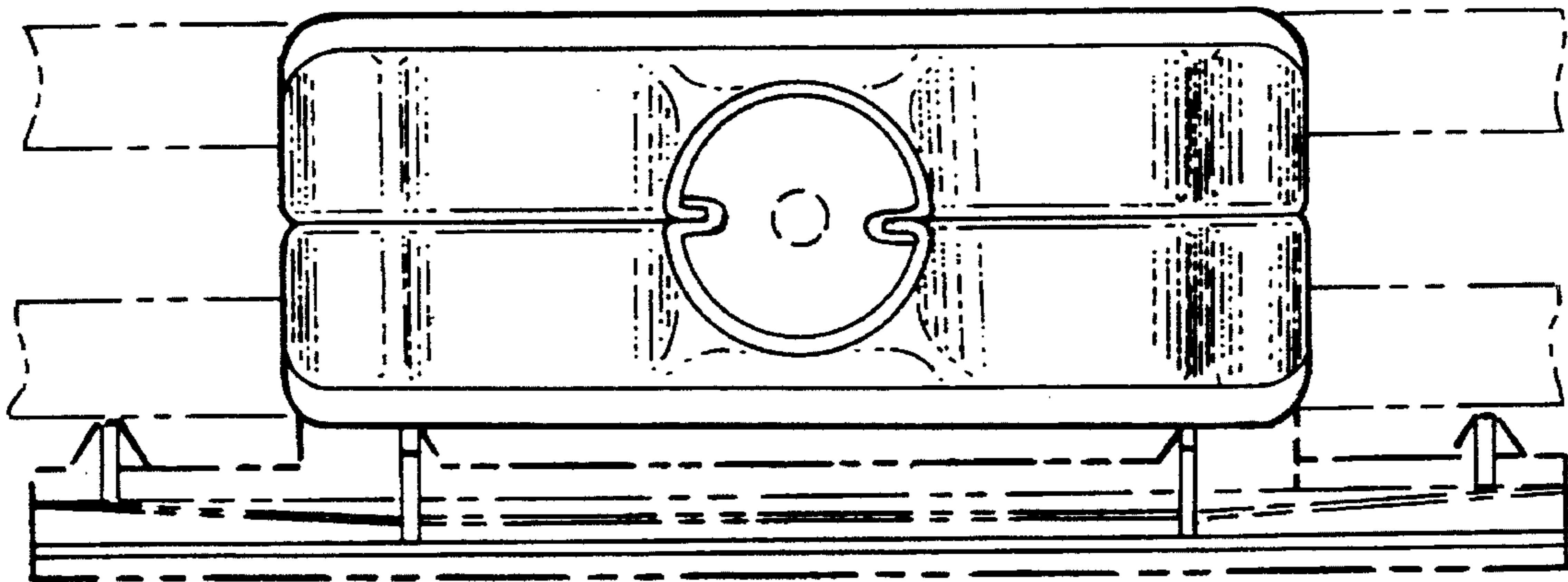
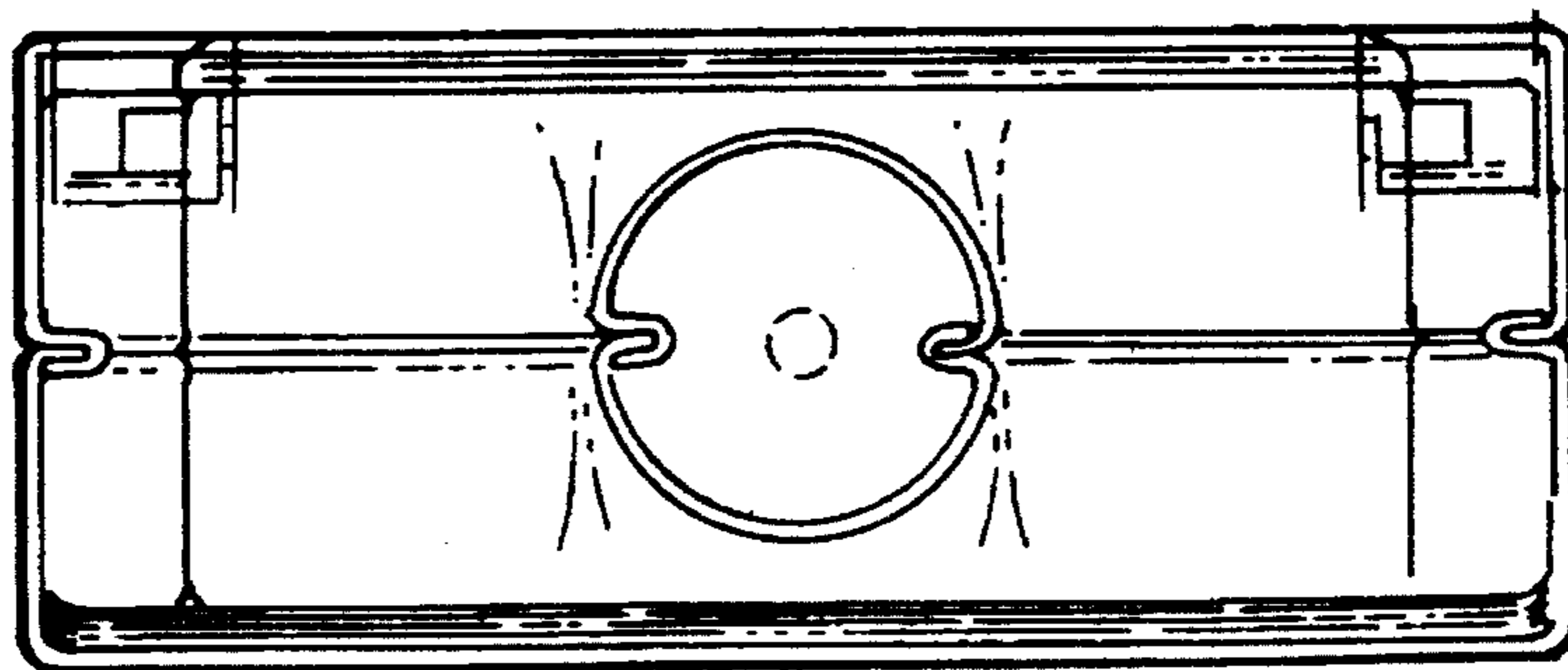


FIG - 7



UNITED STATES PATENT AND TRADEMARK OFFICE  
**CERTIFICATE OF CORRECTION**

PATENT NO. : Des. 370,101

DATED : May 21, 1996

INVENTOR(S) : Diana W. Juratovac and Paul R. Burger

It is certified that error appears in the above-identified patent and that said Letters Patent is hereby corrected as shown below: On the title page, item:

[75] "Paul A. Burger" should be --Paul R. Burger--

Signed and Sealed this  
Thirteenth Day of August, 1996

Attest:



BRUCE LEHMAN

Attesting Officer

Commissioner of Patents and Trademarks