



US00D370100S

**United States Patent** [19]  
**Camp, Jr.**

[11] **Patent Number: Des. 370,100**

[45] **Date of Patent: \*\*May 21, 1996**

[54] **SCRAPER HANDLE**

[75] Inventor: **William P. Camp, Jr.**, Wooster, Ohio

[73] Assignee: **The Wooster Brush Company**,  
Wooster, Ohio

[\*\*] Term: **14 Years**

[21] Appl. No.: **29,736**

[22] Filed: **Oct. 14, 1994**

[52] U.S. Cl. .... **D32/48**; D8/107

[58] **Field of Search** ..... D32/40, 46, 48,  
D32/42; 15/236.01, 236.02, 236.03, 236.04,  
236.05, 236.06, 245.1; D8/45, 105, 11,  
107; 30/169, 171, 172, 164.9

[56] **References Cited**

**U.S. PATENT DOCUMENTS**

D. 56,574	11/1920	Waters	.....	30/169	X
D. 279,514	7/1985	Grunz	.....	D32/49	
D. 307,207	4/1990	Wolf	.....	D32/46	
4,524,514	6/1985	Mallalieu et al.	.....	30/169	

**FOREIGN PATENT DOCUMENTS**

0347228	1/1922	Germany	.....	15/236.01	
---------	--------	---------	-------	-----------	--

**OTHER PUBLICATIONS**

Decorating Retailer, Oct. 1994, p. 154 Pole Cat scraper.

*Primary Examiner*—A. Hugo Word

*Assistant Examiner*—Cynthia E. Ramirez

*Attorney, Agent, or Firm*—Renner, Otto, Boisselle & Sklar

[57] **CLAIM**

The ornamental design for a scraper handle, as shown and described.

**DESCRIPTION**

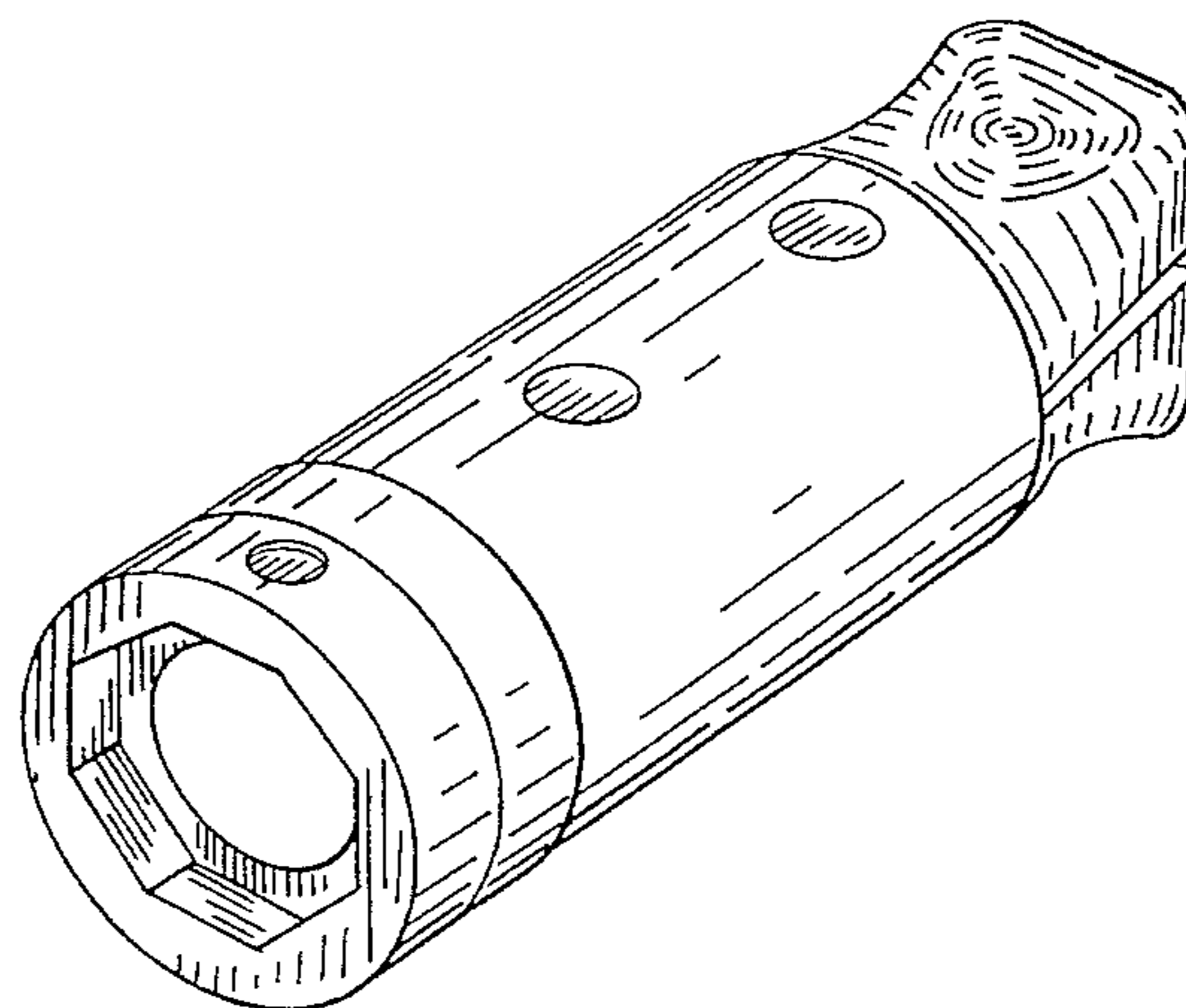
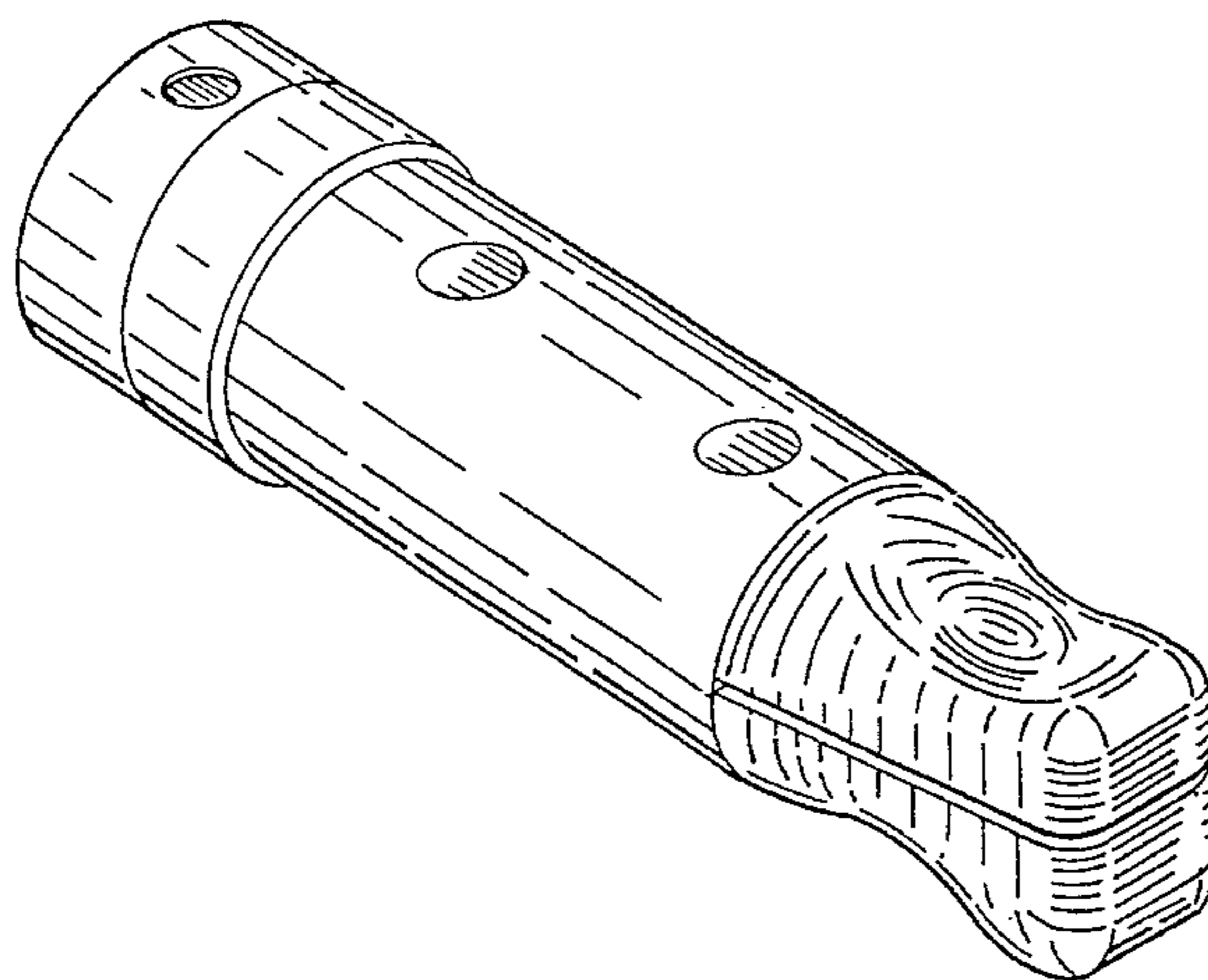
FIG. 1 is a top plan view of the scraper handle showing my new design, the bottom plan view being a mirror image; FIG. 2 is a side elevation view of one side thereof, the opposite side being a mirror image; FIG. 3 is an end elevation view from the left end of FIG. 2; FIG. 4 is an end elevation view from the right end of FIG. 2;

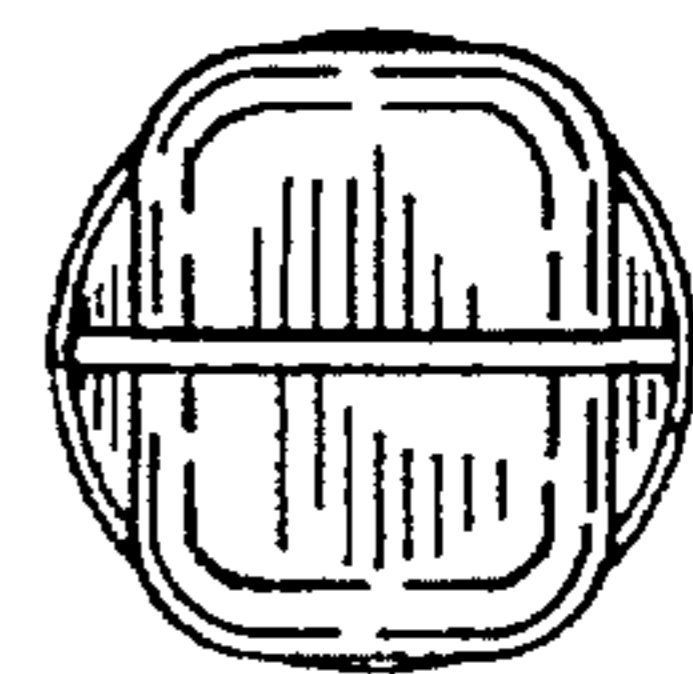
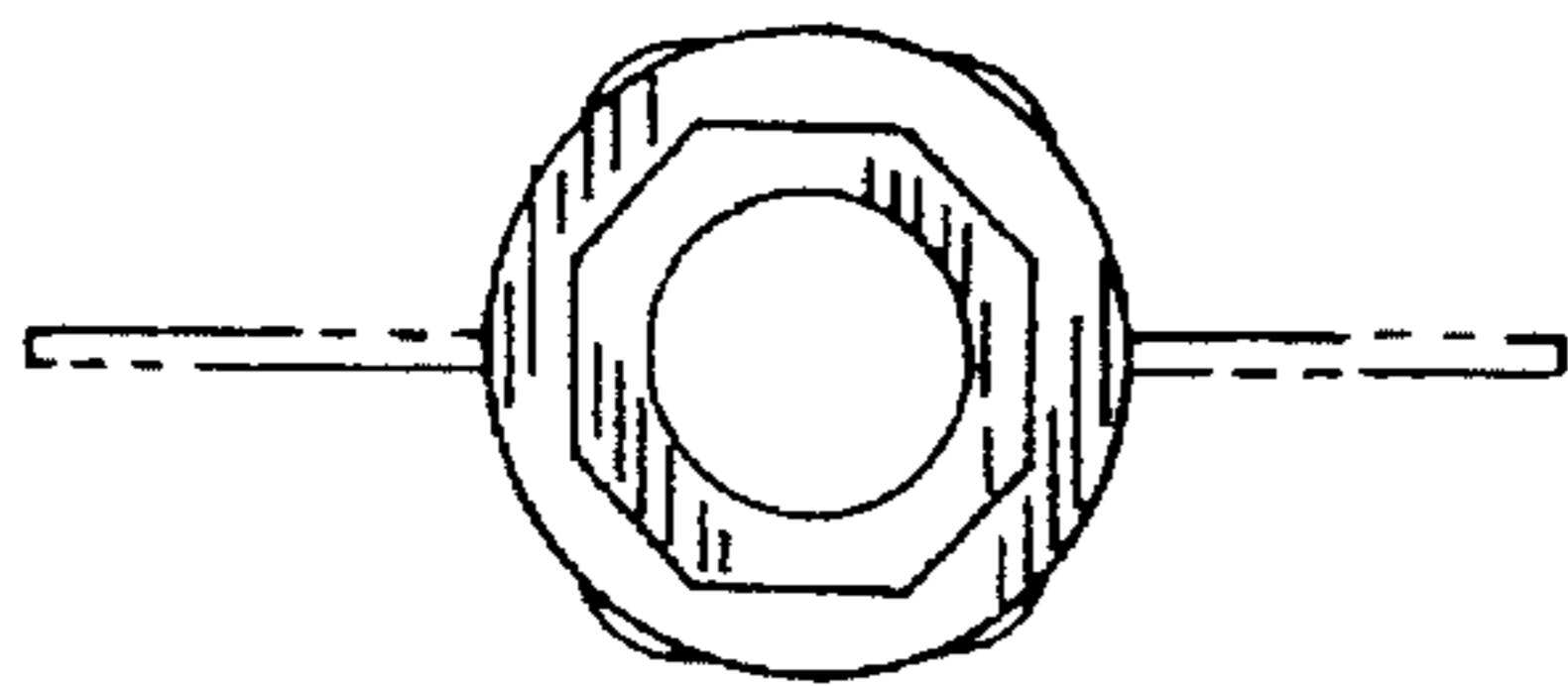
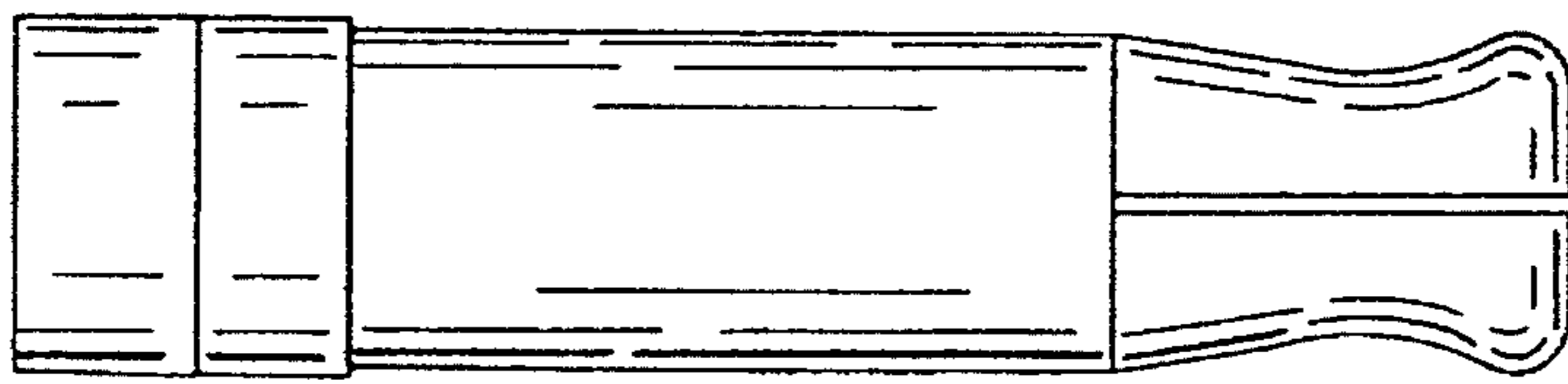
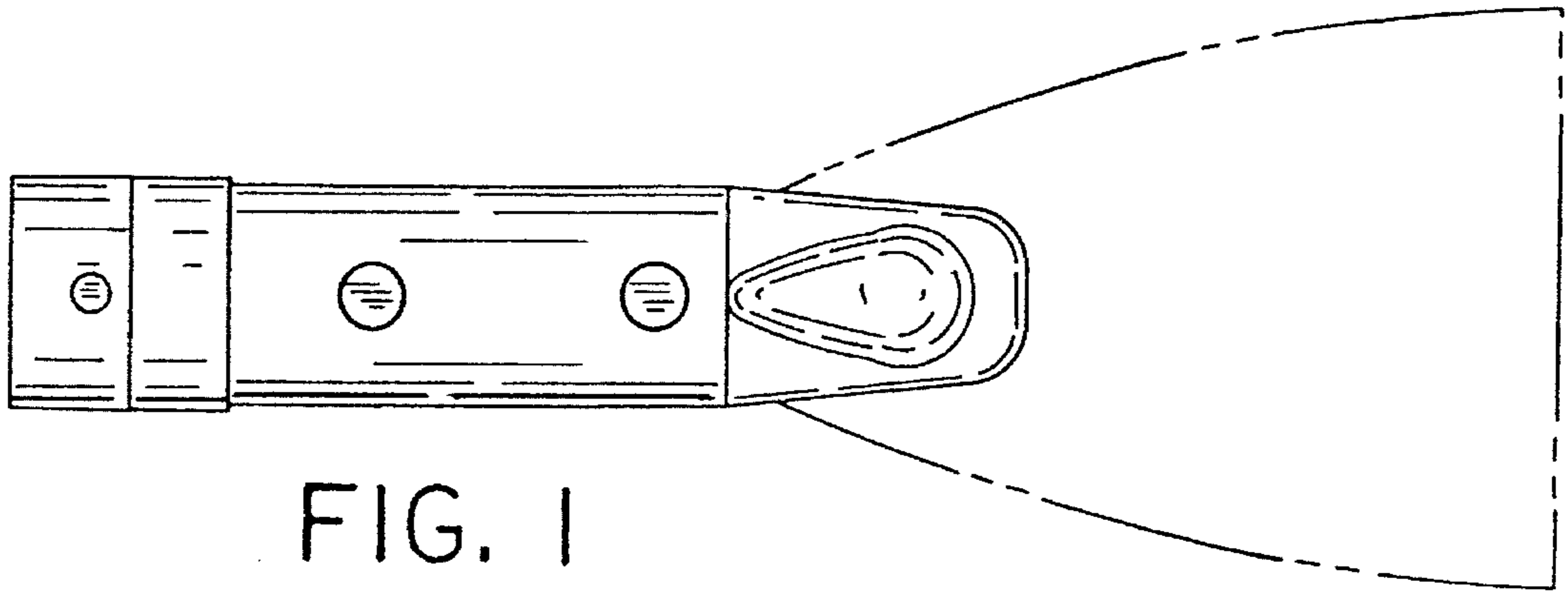
FIG. 5 is an enlarged top, front, perspective view from the right end of FIG. 2; and,

FIG. 6 is an enlarged top, rear, perspective view from the left end of FIG. 2.

The broken line showing of a scraper blade in FIGS. 1 and 3 is for illustrative purposes only and forms no part of the claimed design.

**1 Claim, 2 Drawing Sheets**





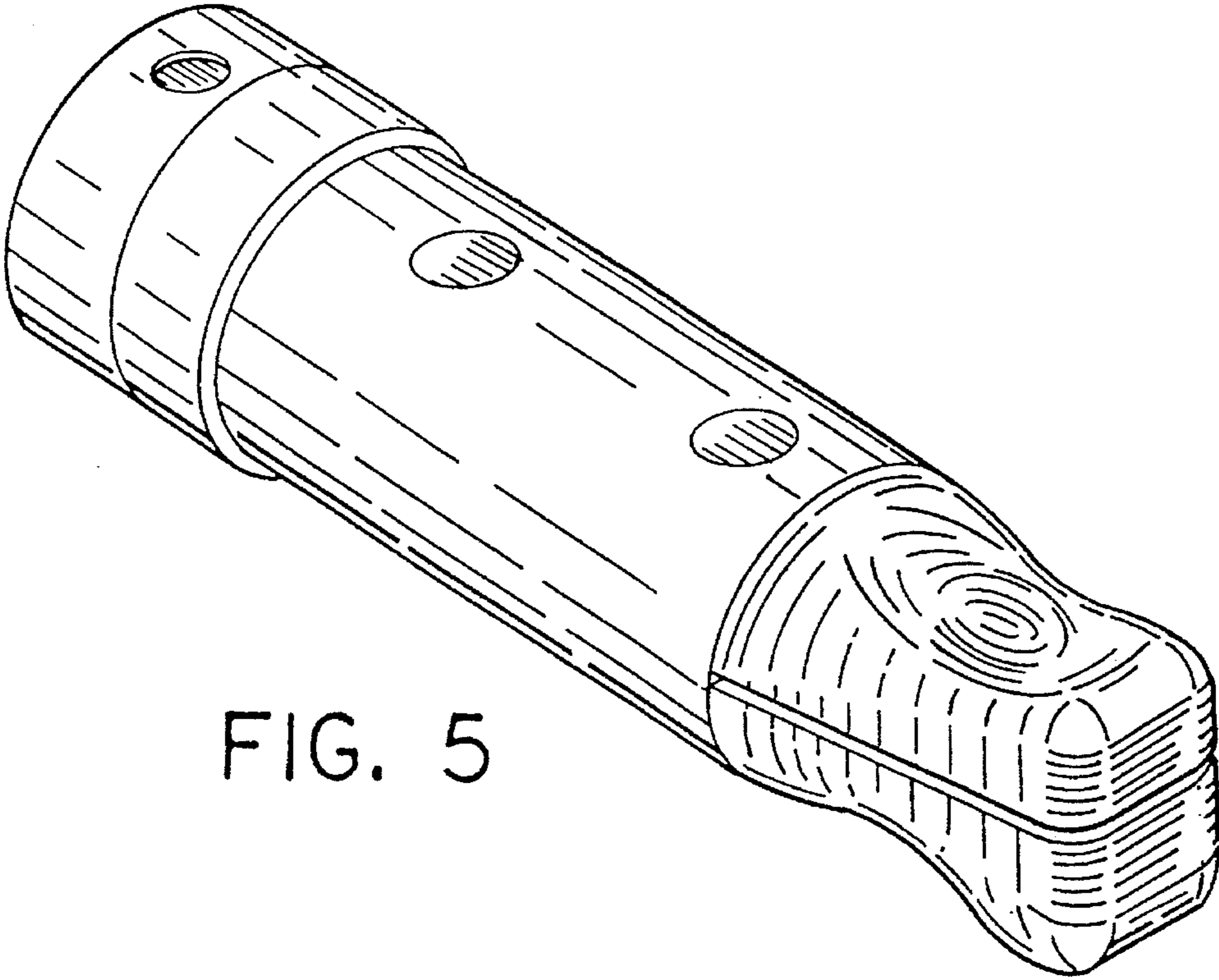


FIG. 5

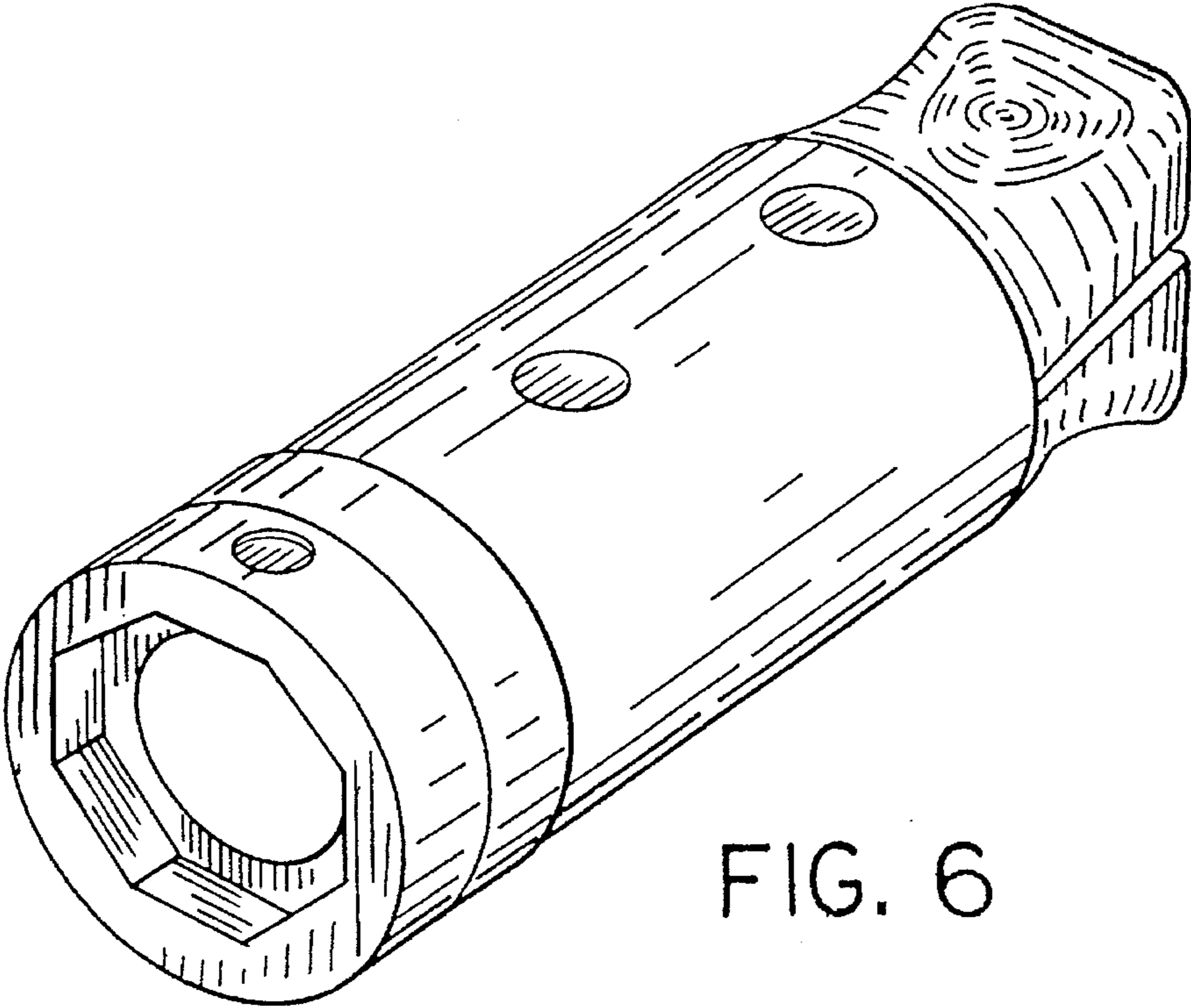


FIG. 6