



US00D370097S

United States Patent [19]

Griffin et al.

[11] Patent Number: **Des. 370,097**

[45] Date of Patent: ****May 21, 1996**

[54] **VACUUM CLEANER NOZZLE**

D. 333,022 2/1993 Kramer et al. D32/32
D. 333,539 2/1993 Kramer et al. D32/32

[75] Inventors: **John Griffin**, Phoenix, Ariz.; **David Ebersole**, So. Williamsport; **Arnold Gee**, Williamsport, both of Pa.

Primary Examiner—Ruth McInroy
Attorney, Agent, or Firm—Marshall, O'Toole, Gerstein, Murray & Borun

[73] Assignee: **Shop Vac Corporation**, Williamsport, Pa.

[57] **CLAIM**

[**] Term: **14 Years**

The ornamental design for a vacuum cleaner nozzle, as shown and described.

[21] Appl. No.: **31,625**

DESCRIPTION

[22] Filed: **Dec. 1, 1994**

[52] U.S. Cl. **D32/33**

[58] Field of Search D32/22, 21, 31-33;
15/415-422.1, 322, 405, 410, 402

FIG. 1 is a perspective view taken from the front and right side of a vacuum nozzle embodying our novel design; FIG. 2 is a right side elevational view thereof; FIG. 3 is a left side elevational view thereof; FIG. 4 is a front elevational view thereof; FIG. 5 is a rear elevational view thereof; FIG. 6 is a top plan view thereof; and, FIG. 7 is a bottom plan view thereof.

[56] **References Cited**

U.S. PATENT DOCUMENTS

D. 216,738	3/1970	Domstedt et al.	D32/33
D. 216,917	3/1970	Domstedt et al.	D32/33
D. 295,092	4/1988	Mizuno et al.	D32/32
D. 312,904	12/1990	Worwag	D32/32
D. 326,938	6/1992	Burns	D32/32
D. 333,021	2/1993	Breur	D32/32

The portion shown in broken lines in FIGS. 4 and 7 is shown for illustrative purposes only and forms no part of the claimed design.

1 Claim, 3 Drawing Sheets

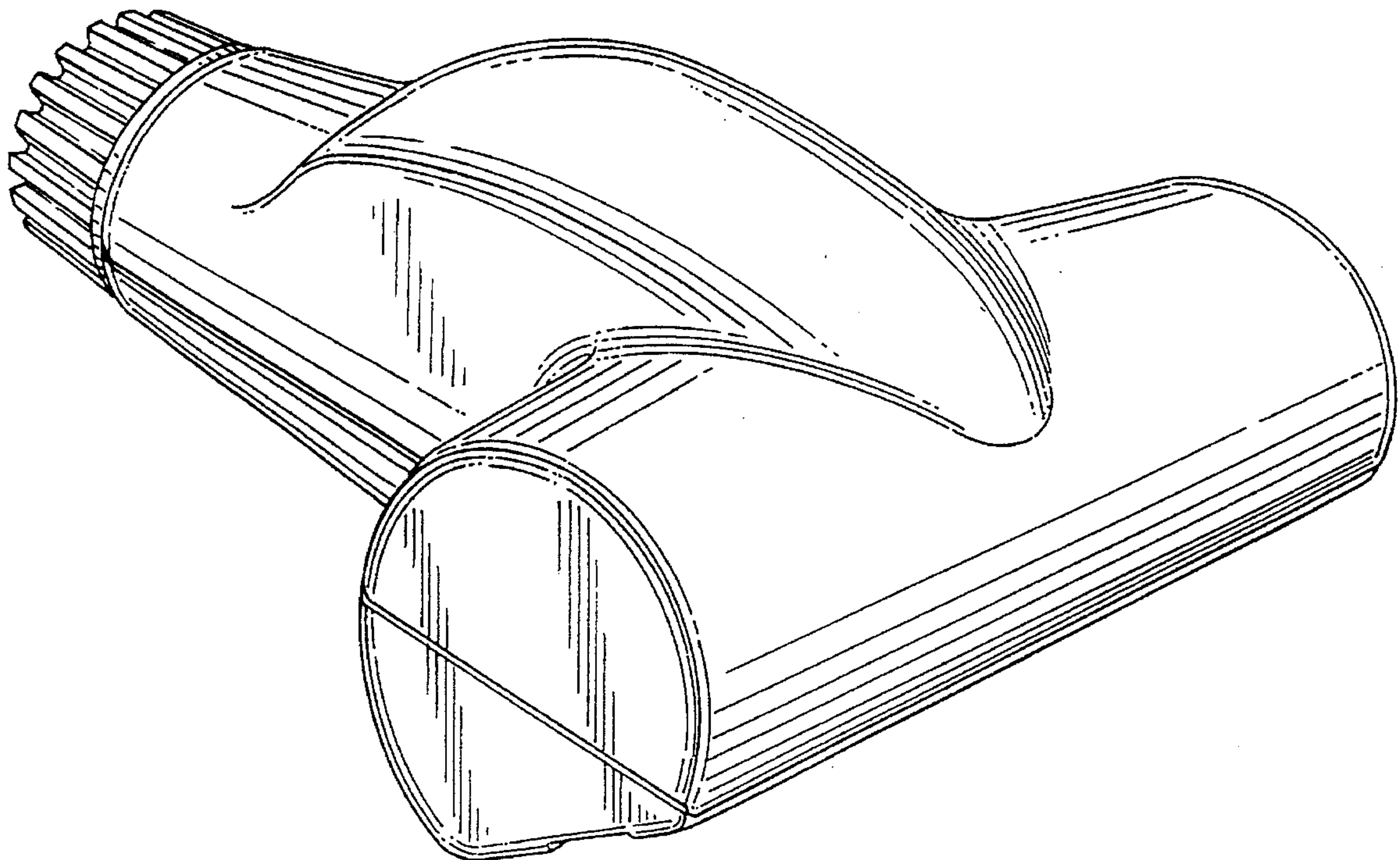


FIG. 1

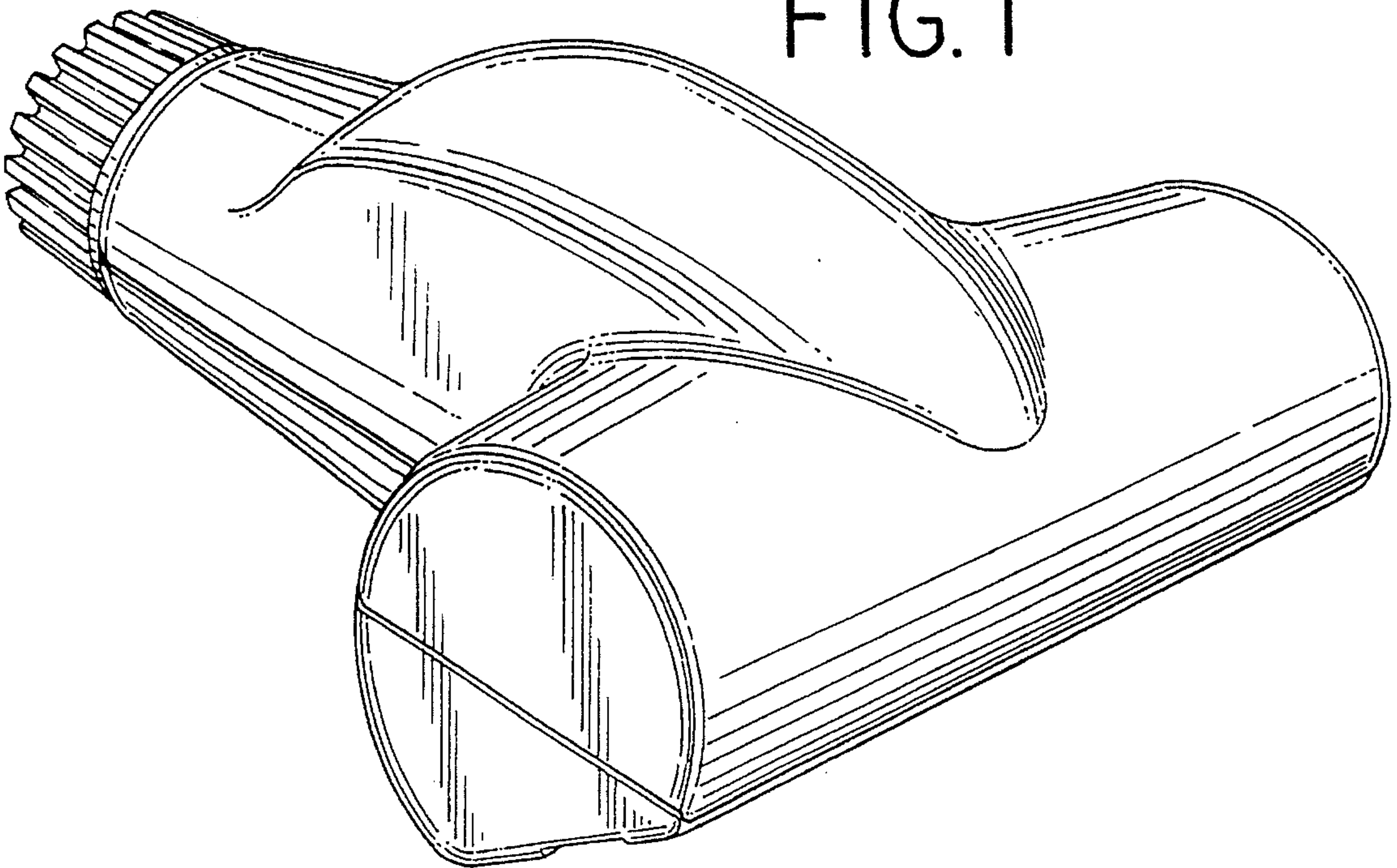


FIG. 2

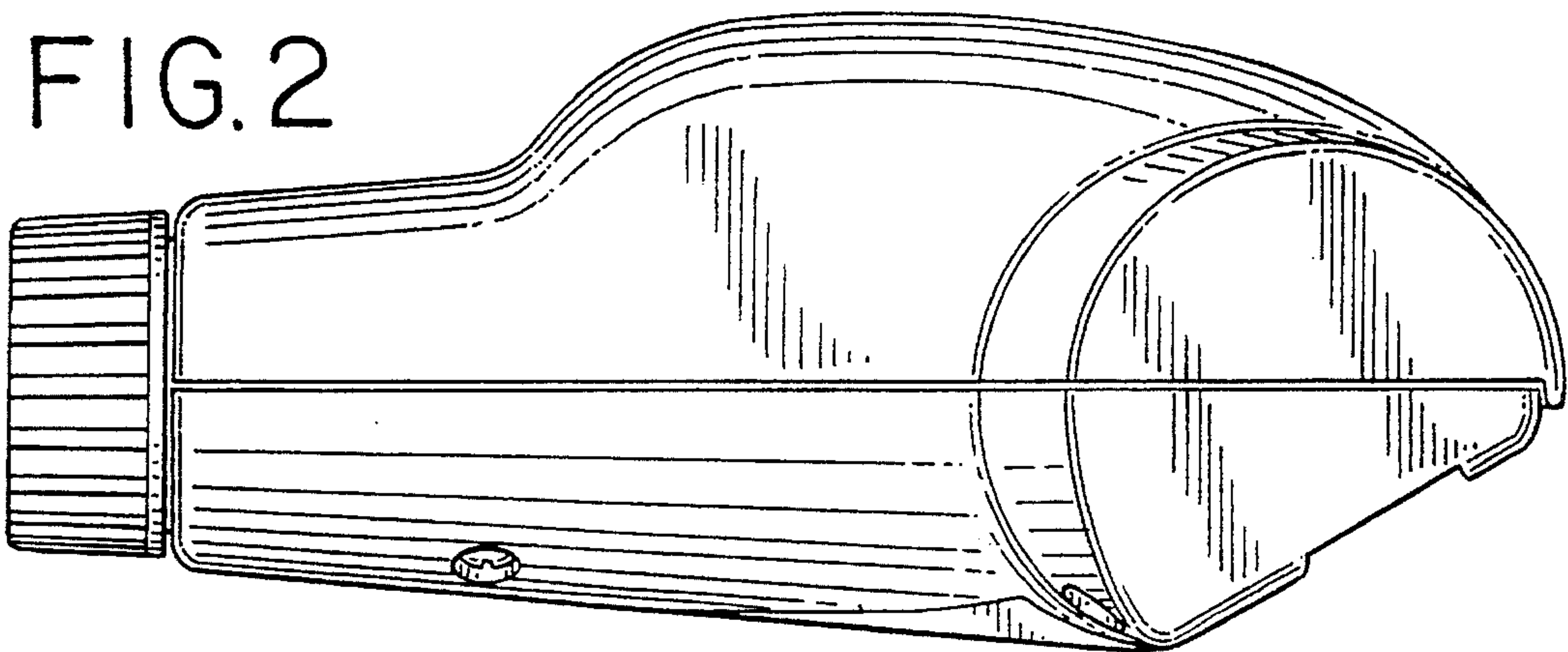


FIG. 3

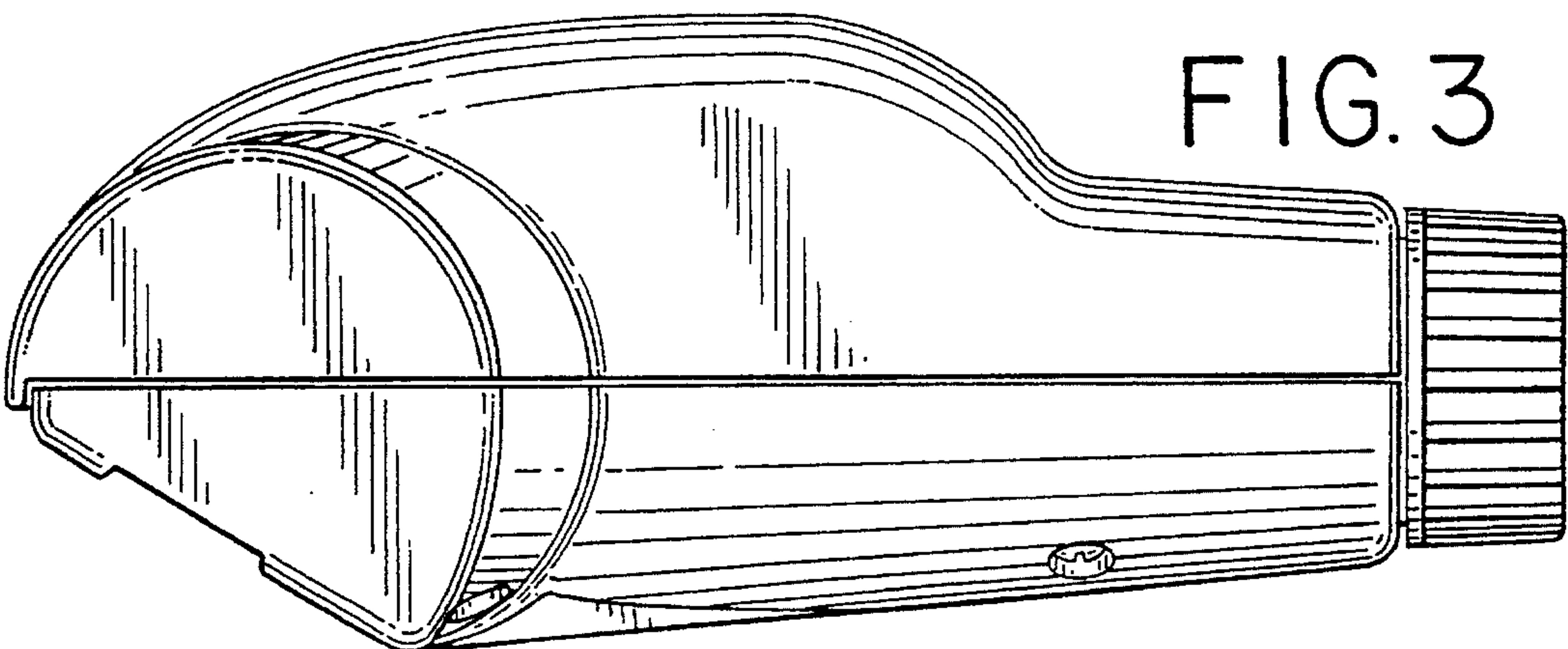


FIG. 4

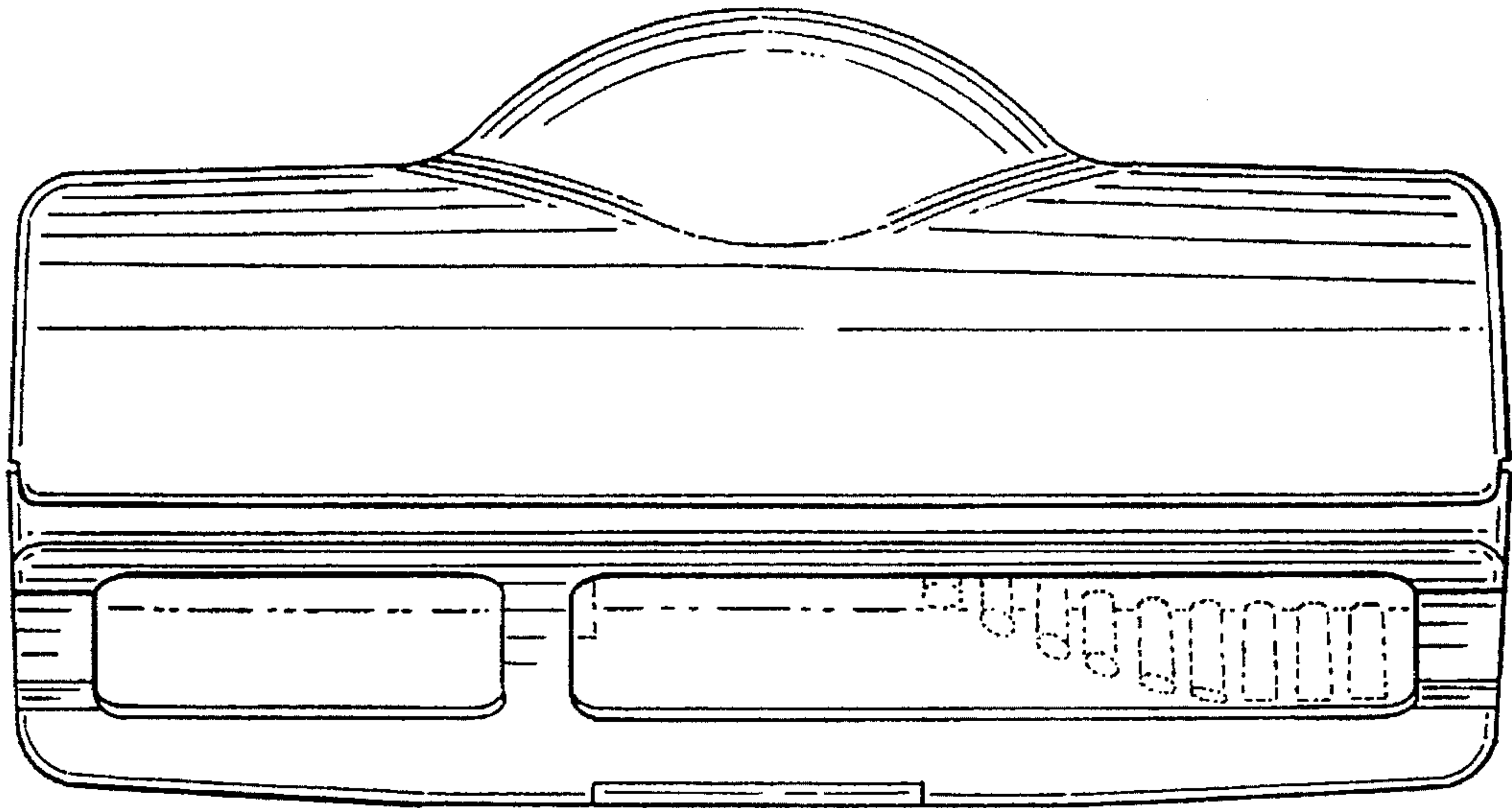


FIG. 5

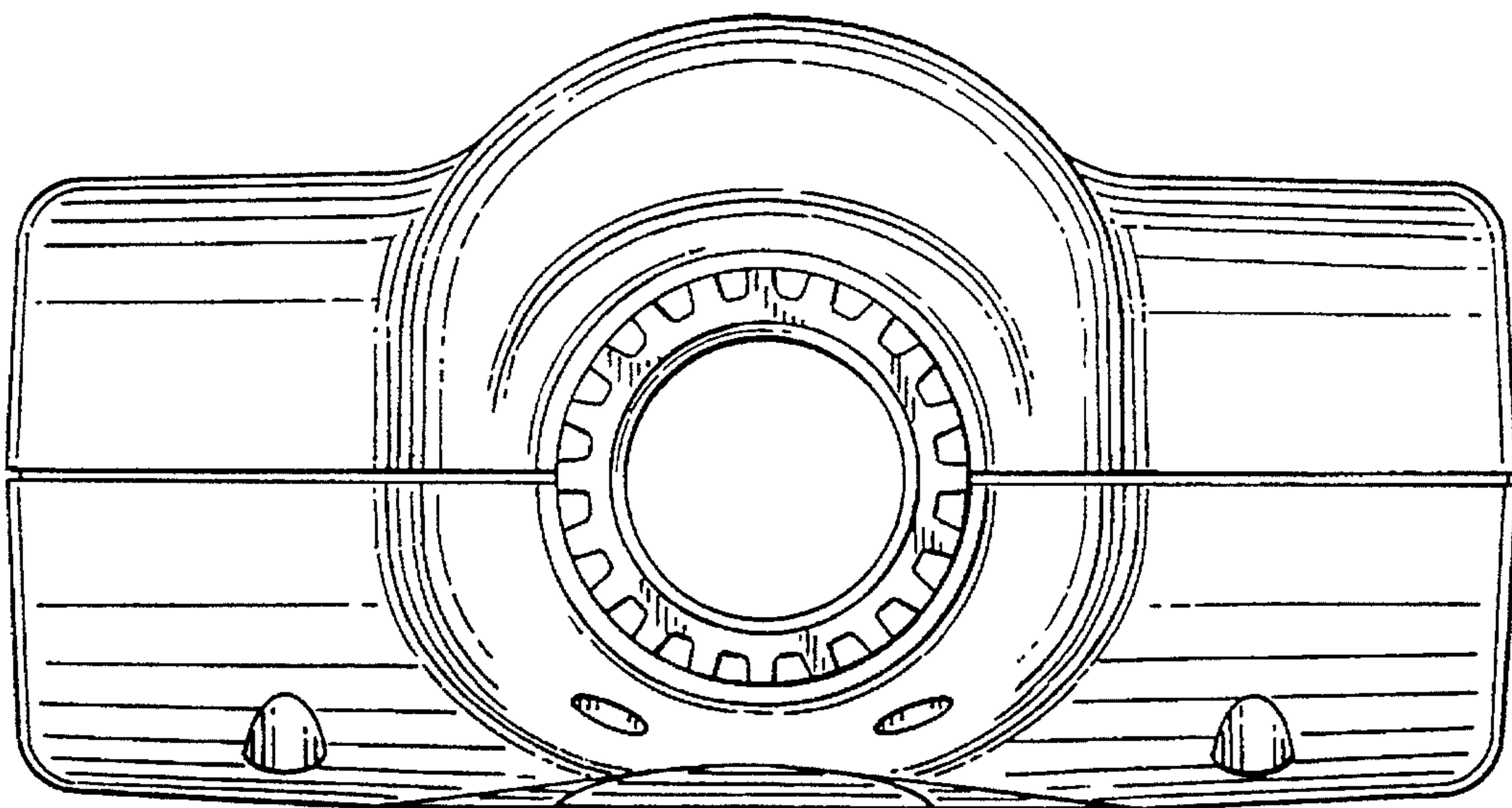


FIG. 6

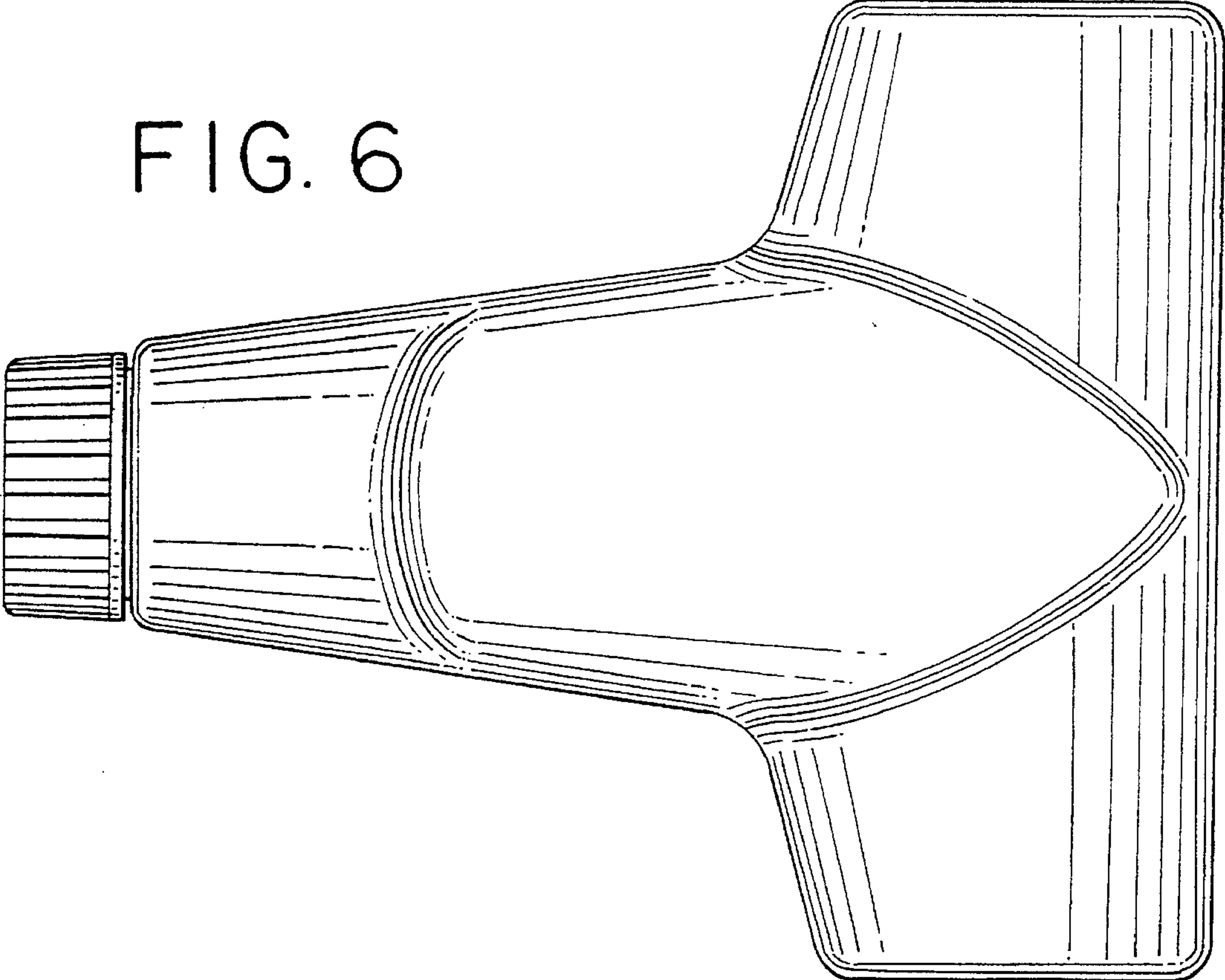


FIG. 7

