



US00D370094S

United States Patent [19]

[11] Patent Number: **Des. 370,094**

Kohus

[45] Date of Patent: ****May 21, 1996**

[54] **CAT LITTER BOX**

8302323 1/1985 Netherlands 119/165

[76] Inventor: **Louis M. Kohus**, 6219 Woodlark Dr., Cincinnati, Ohio 45230

Primary Examiner—Louis S. Zarfes
Assistant Examiner—Gregory Andoll
Attorney, Agent, or Firm—Charles R. Wilson

[**] Term: **14 Years**

[21] Appl. No.: **35,062**

[57] **CLAIM**

[22] Filed: **Feb. 17, 1995**

The ornamental design for a cat litter box, as shown and described.

[52] U.S. Cl. **D30/161**; 119/168

[58] Field of Search D30/108, 118, D30/161; D9/424, 425; 119/15, 19, 165, 166, 167

DESCRIPTION

[56] **References Cited**

U.S. PATENT DOCUMENTS

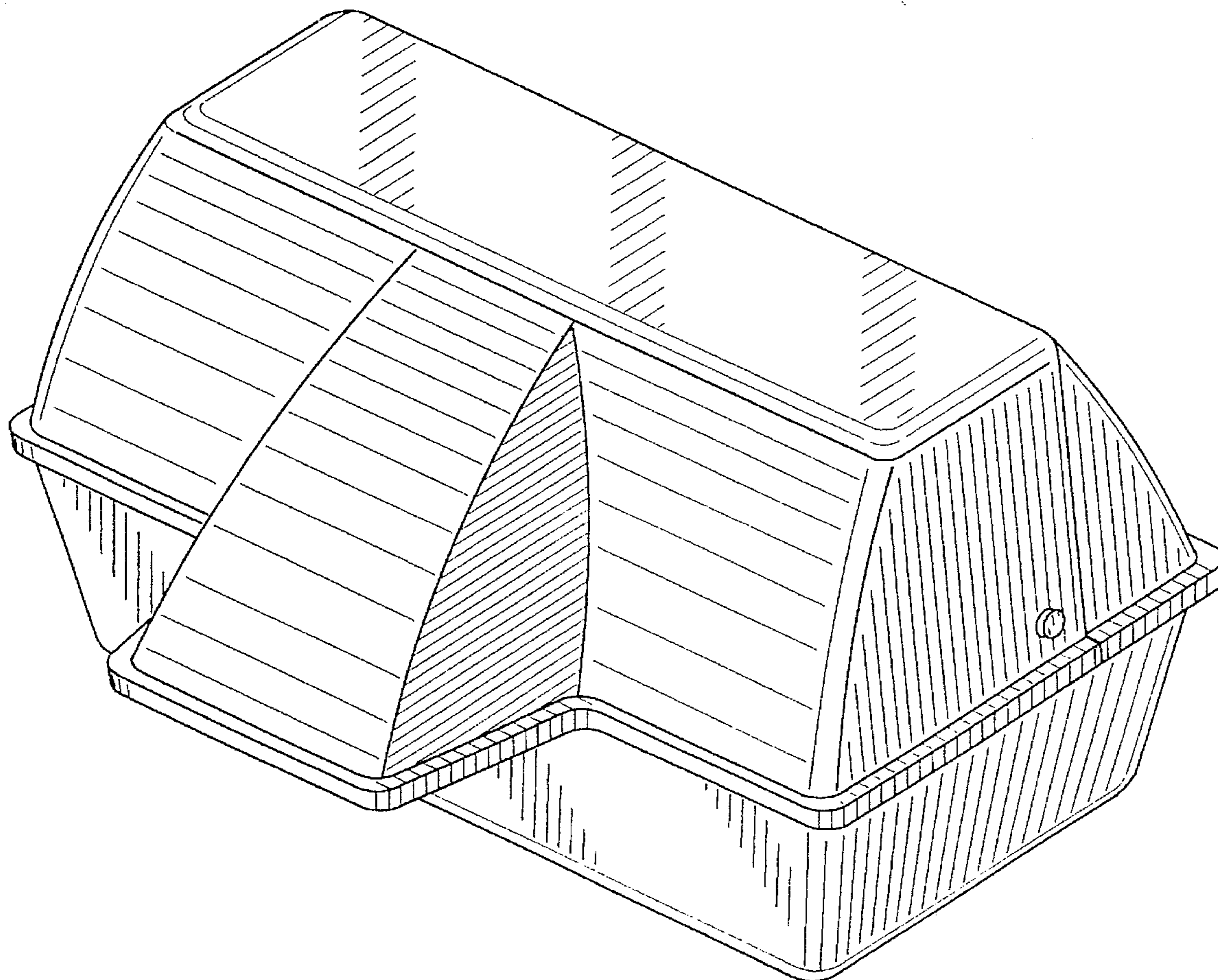
- D. 327,143 6/1992 Dickinson 119/19
- 4,201,153 6/1980 Nale 119/15
- 5,154,137 10/1992 Stanaland 119/15

- FIG. 1 is a perspective view of a cat litter box;
- FIG. 2 is an elevational front view thereof;
- FIG. 3 is a top plan view thereof;
- FIG. 4 is an elevational right side view thereof;
- FIG. 5 is an elevational left side view thereof;
- FIG. 6 is an elevational back view thereof; and,
- FIG. 7 is a bottom plan view thereof.

FOREIGN PATENT DOCUMENTS

- 7612265 5/1978 Netherlands 119/165

1 Claim, 4 Drawing Sheets



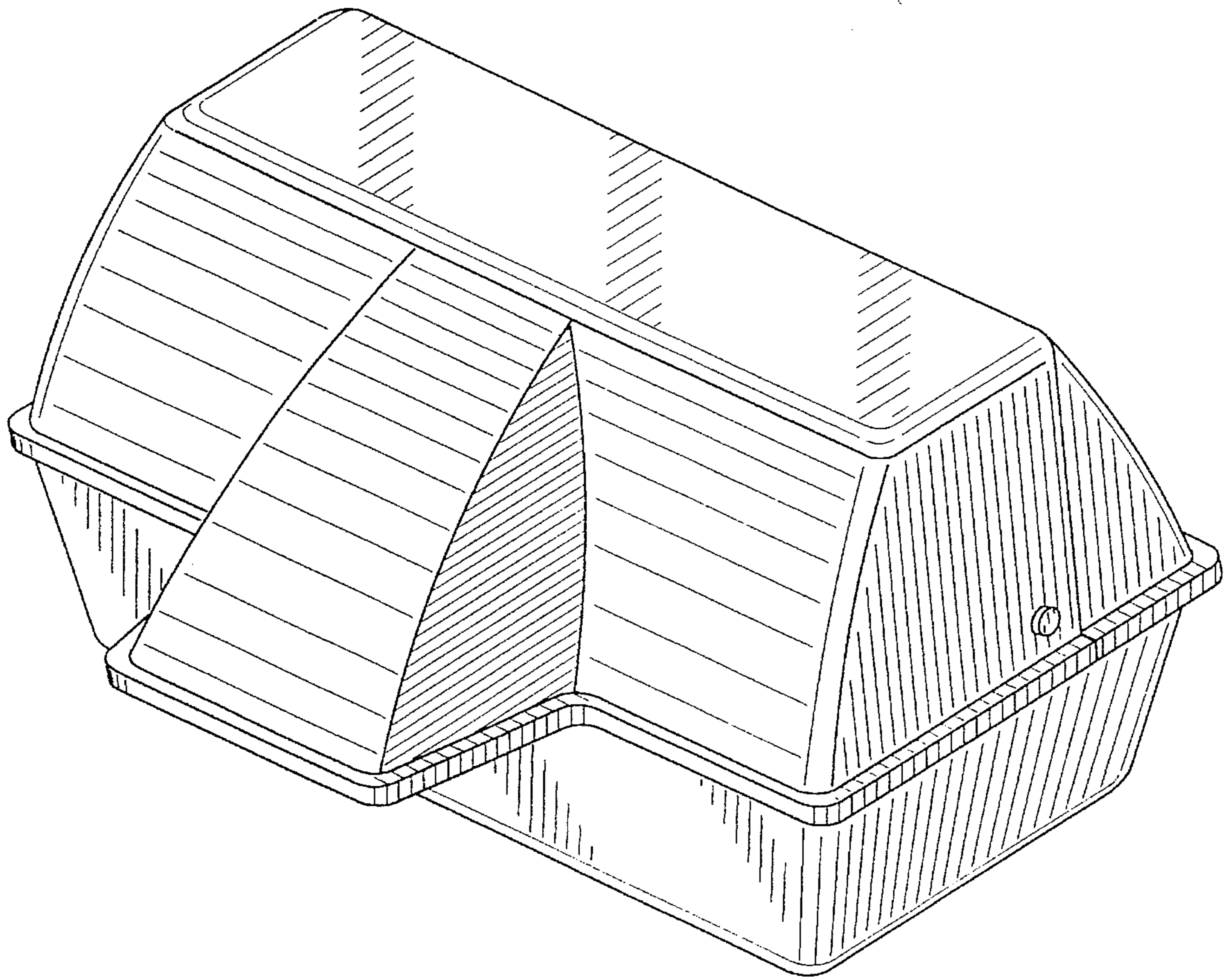


FIG. 1

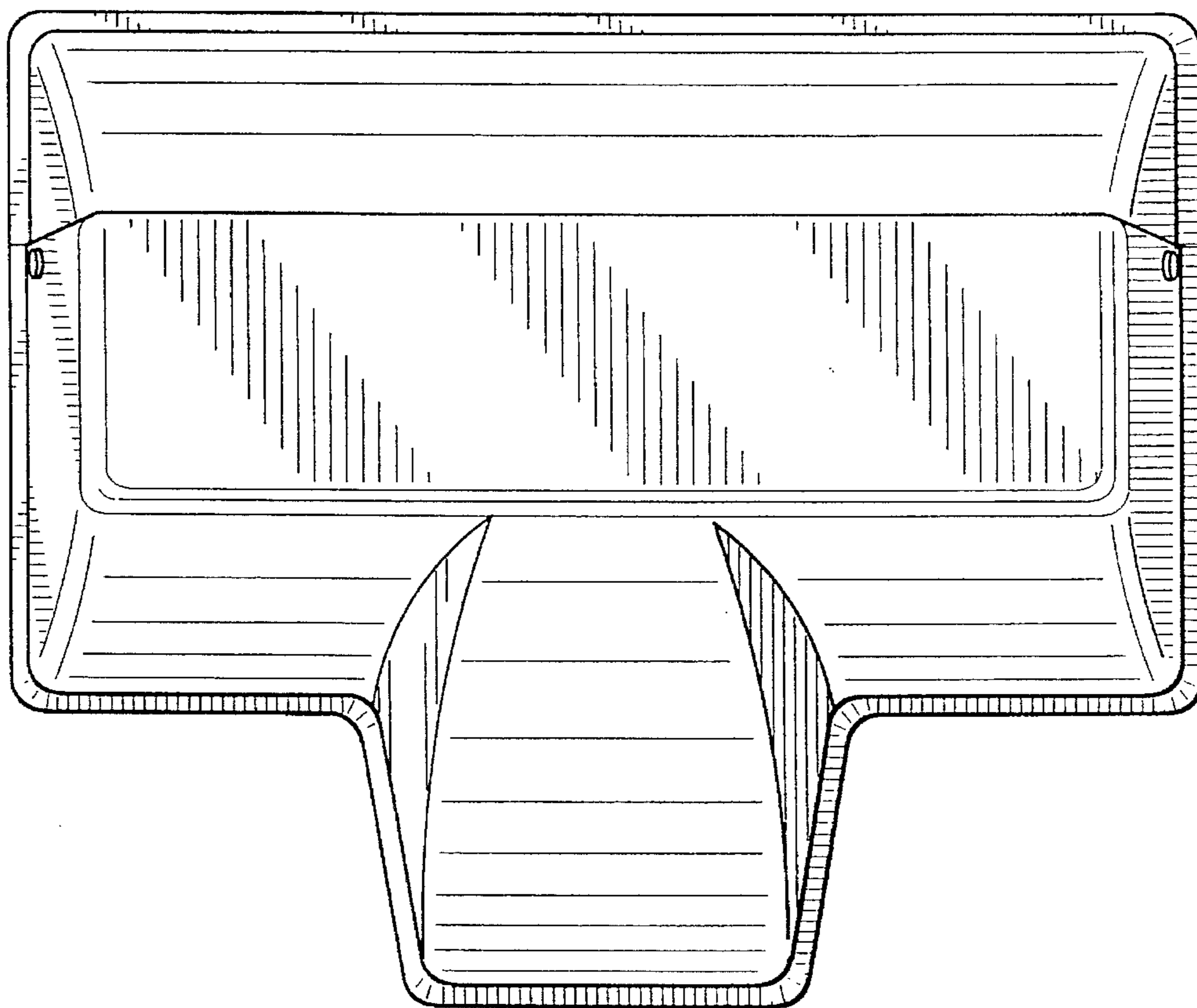


FIG. 3

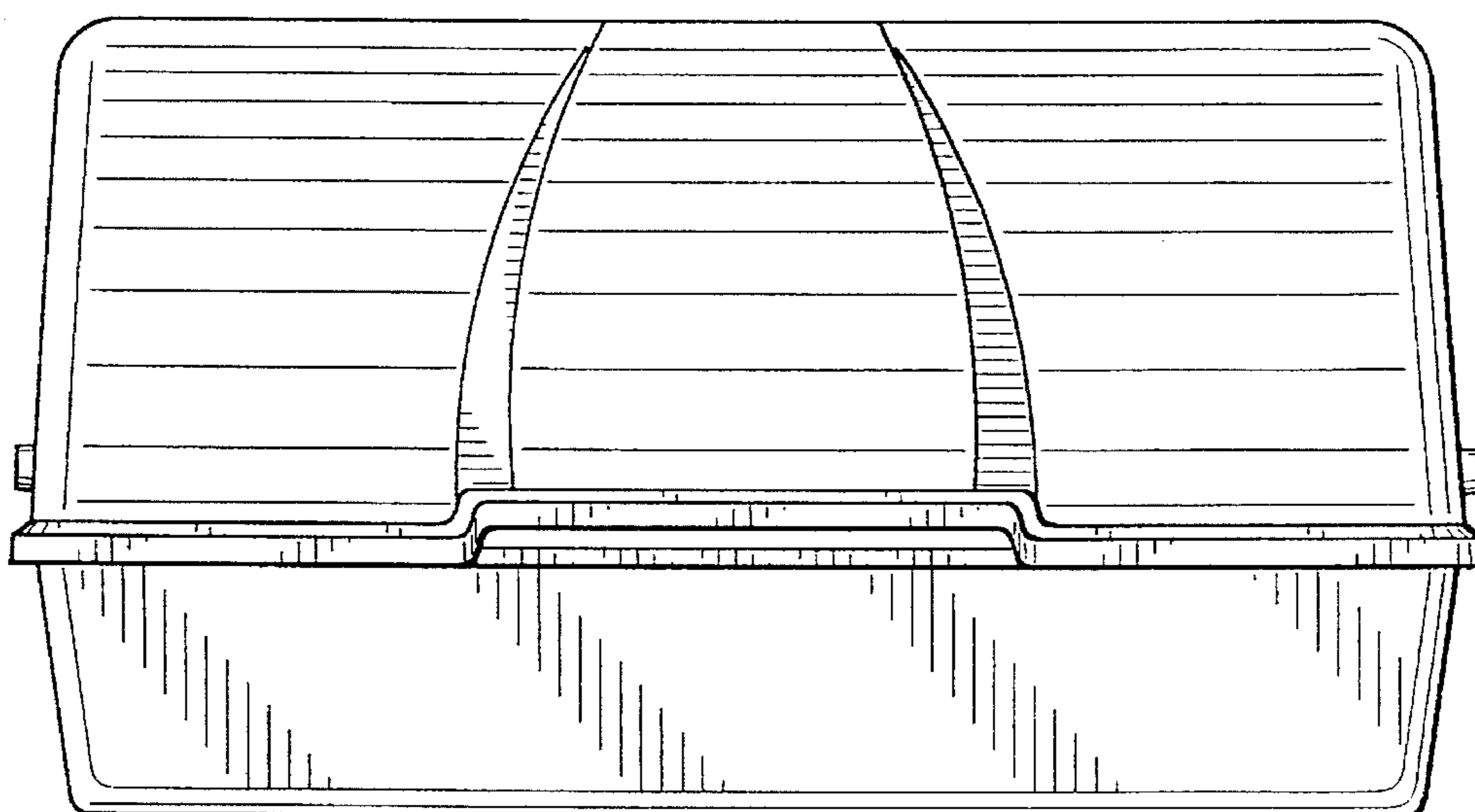


FIG. 2

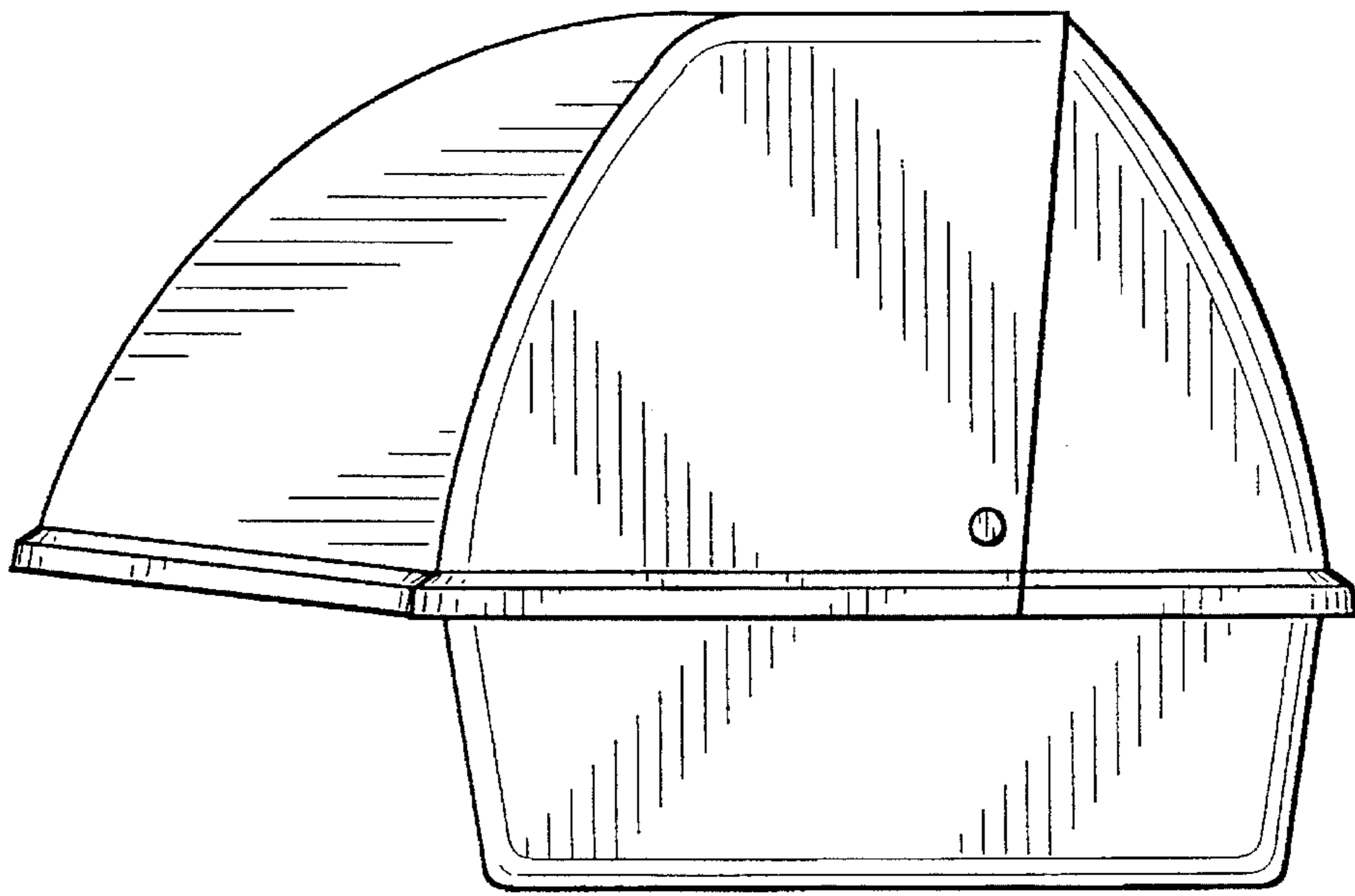


FIG. 4

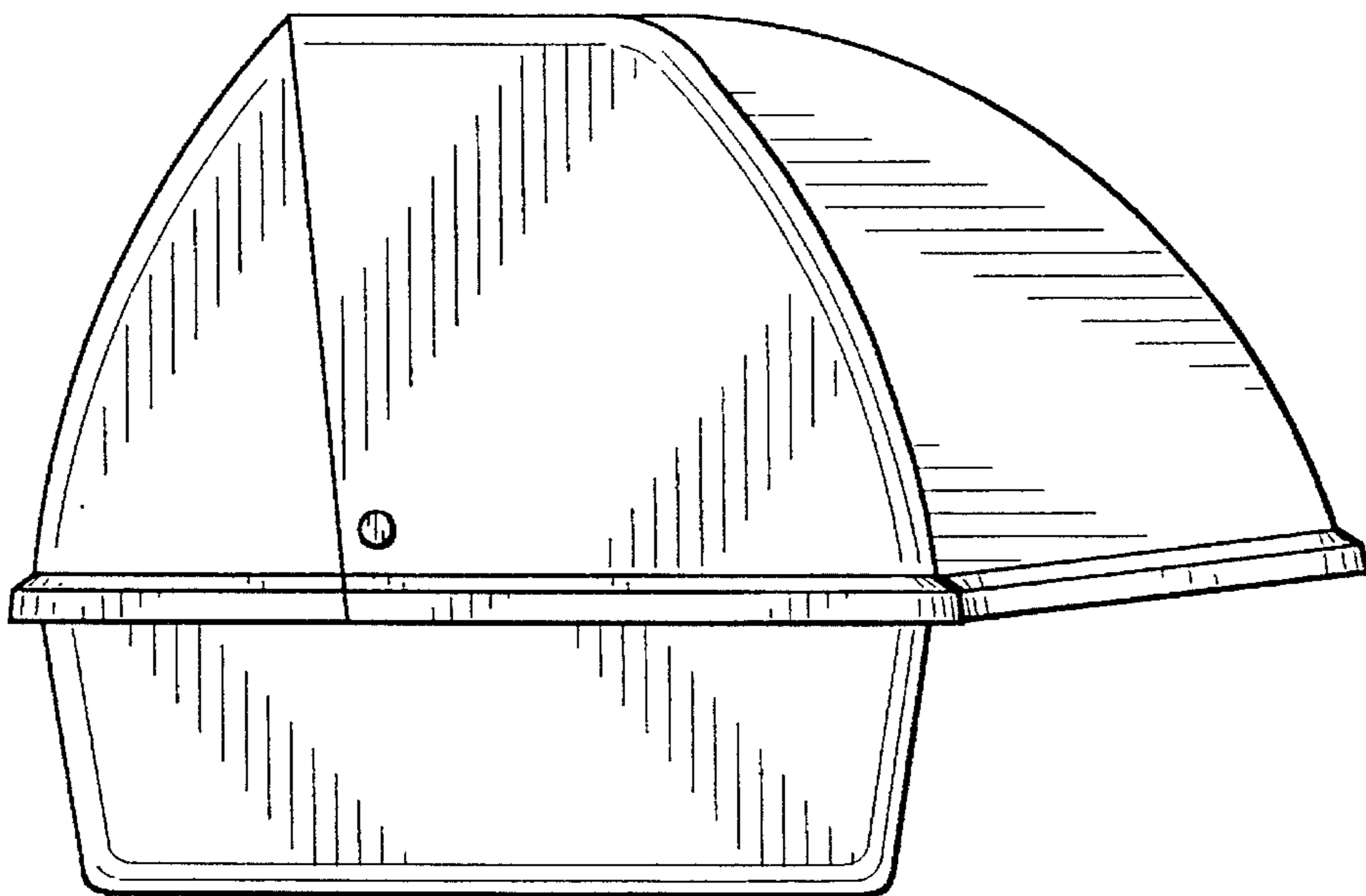


FIG. 5

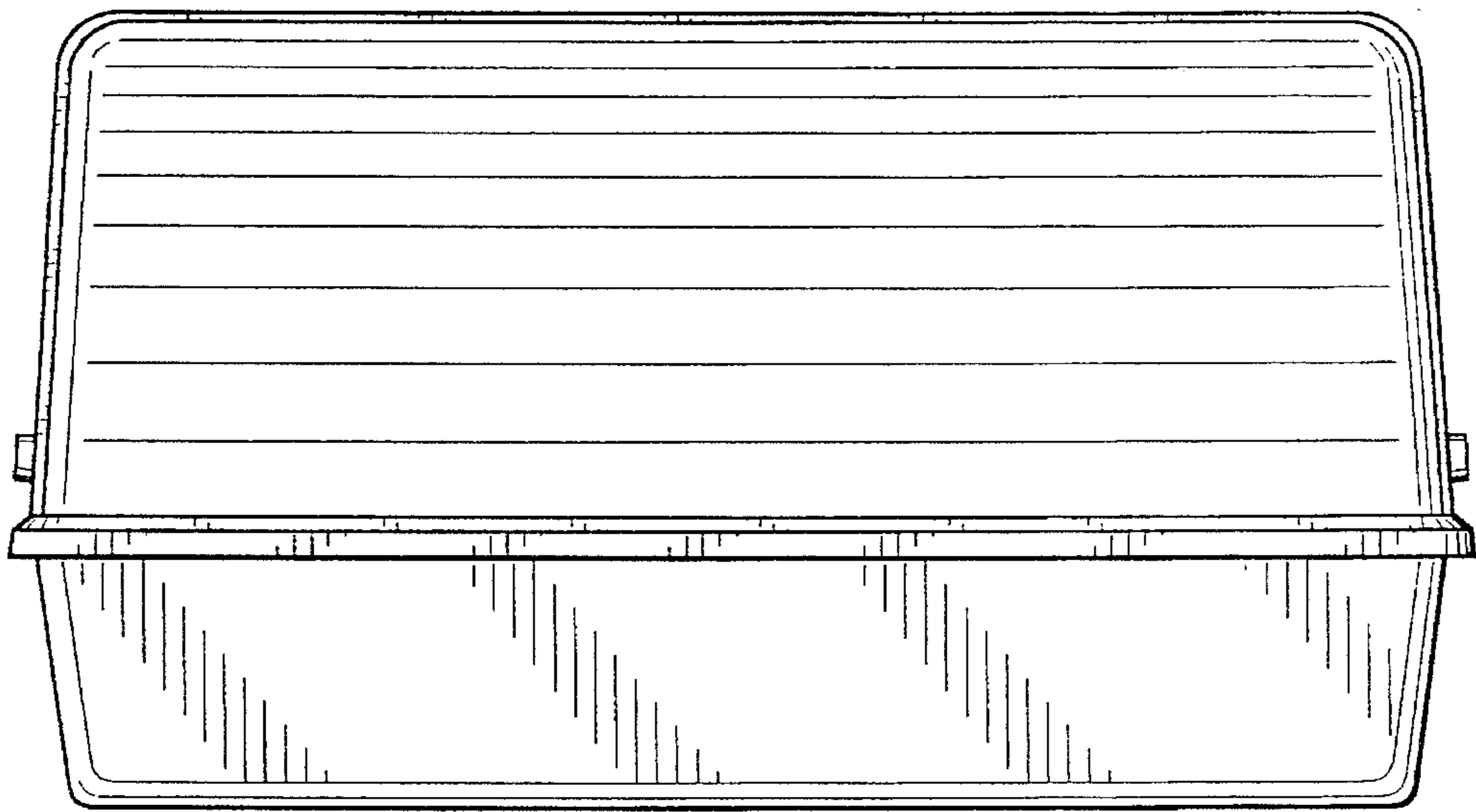


FIG. 6

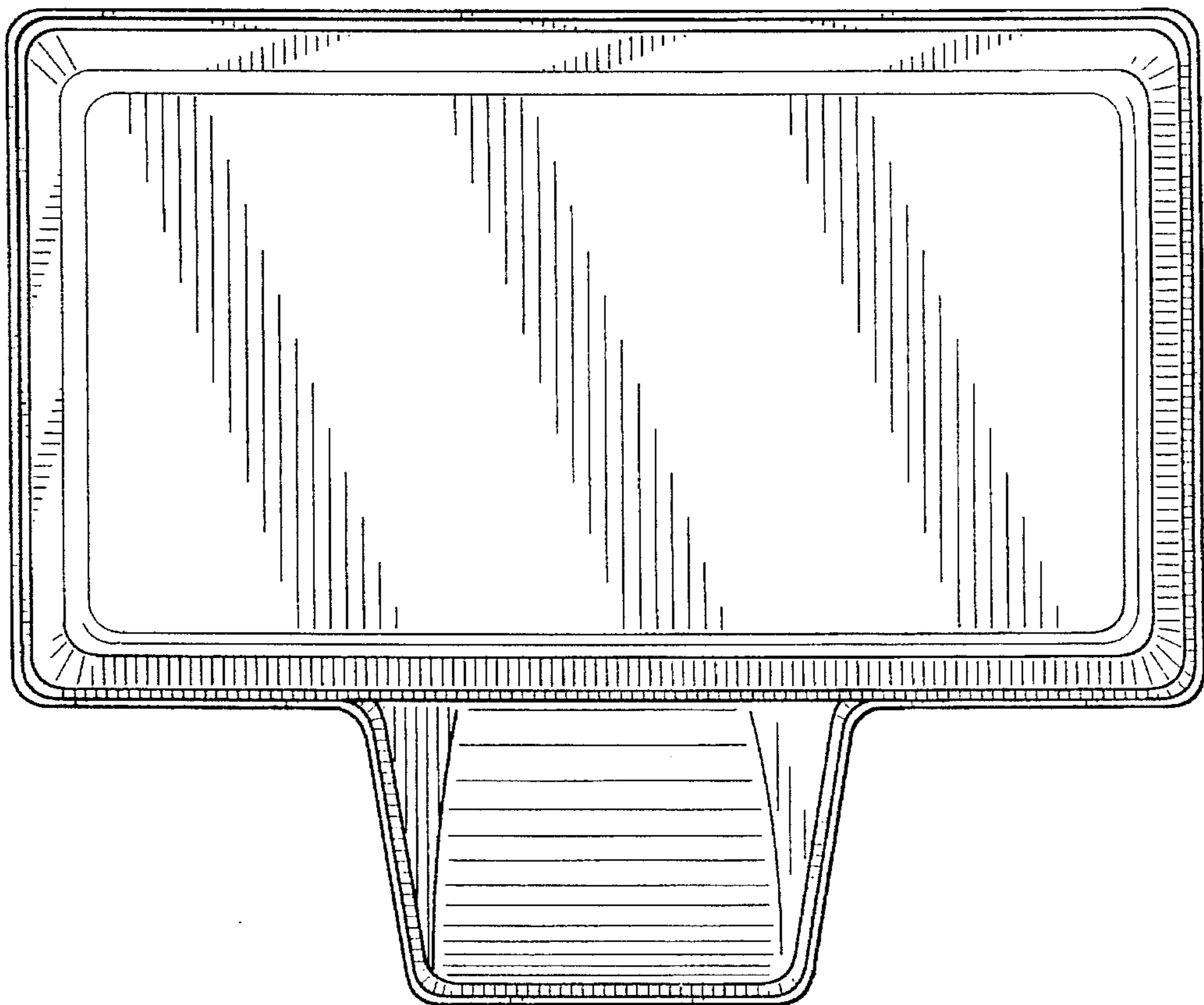


FIG. 7