



US00D370091S

# United States Patent [19]

[11] Patent Number: **Des. 370,091**

Simmons

[45] Date of Patent: **\*\*May 21, 1996**

[54] SAFETY STIRRUP

4,969,316 11/1990 Brown ..... 54/49

[76] Inventor: **Jimmie D. Simmons**, 137 Bells Chapel Rd., Rutherford, Tenn. 38369

### FOREIGN PATENT DOCUMENTS

[\*\*] Term: **14 Years**

451641	4/1913	France	.....	54/47
2663017	12/1991	France	.....	54/49
94570	9/1896	Germany	.	
153628	7/1903	Germany	.	
372211	11/1963	Switzerland	.	
3047	of 1893	United Kingdom	.....	54/49
23241	of 1903	United Kingdom	.....	54/49
22555	of 1904	United Kingdom	.....	54/49
14186	of 1907	United Kingdom	.....	54/47
2274381	7/1994	United Kingdom	.....	54/49

[21] Appl. No.: **29,456**

[22] Filed: **Oct. 6, 1994**

[52] U.S. Cl. .... **D30/142**

[58] Field of Search ..... 54/47, 49; D30/142

### [56] References Cited

#### U.S. PATENT DOCUMENTS

83,822	11/1868	Bennett	.....	54/49
105,893	8/1870	Blossom	.....	54/49
183,708	10/1876	Sabin	.....	54/49
203,807	5/1878	Wilson	.....	54/49
211,668	1/1879	Pulliam	.....	54/49
368,193	8/1887	Collins	.....	54/49
375,103	12/1887	Stallcup	.....	54/47
437,108	9/1890	Goodridge	.....	54/49
807,793	12/1905	Thompson	.....	54/47
841,793	1/1907	Levy	.....	54/49
1,005,029	10/1911	Harvey	.....	54/49
1,025,824	5/1912	Myers	.....	54/49
1,480,314	1/1924	Szymanski	.....	54/49
1,520,586	12/1924	McCamis	.....	54/49
2,418,103	3/1947	Wells	.....	54/44
3,157,977	11/1964	Kitchingham, Jr.	.....	54/49
3,555,781	1/1971	Osborn	.....	54/49
3,816,974	6/1974	Erickson	.....	54/49
3,910,015	10/1975	Ebejer	.....	54/49
4,281,503	8/1981	Teel	.....	54/49

Primary Examiner—Cathy Anne MacCormac  
Attorney, Agent, or Firm—Richard C. Litman

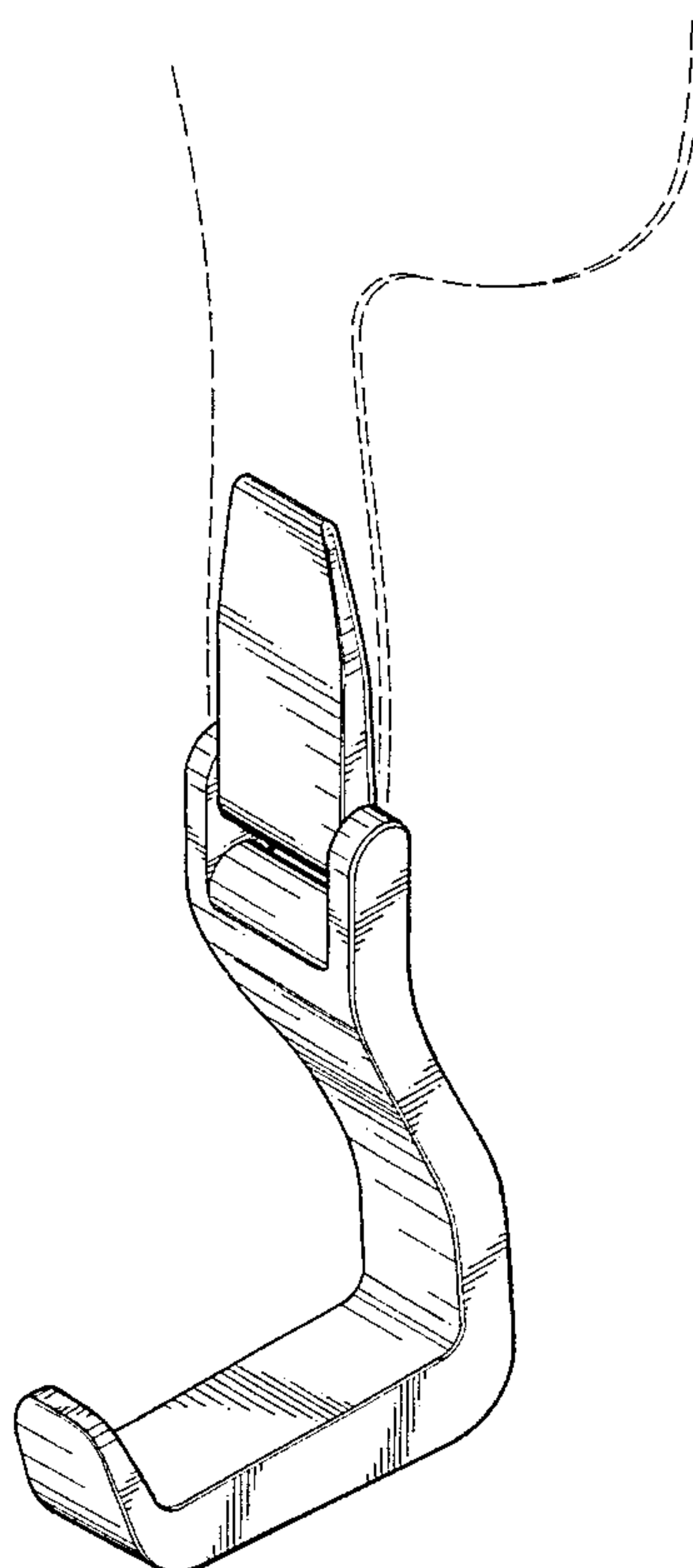
### [57] CLAIM

The ornamental design for safety stirrup, as shown and described.

### DESCRIPTION

FIG. 1 is an environmental perspective view of a safety stirrup showing my new design;  
 FIG. 2 is a top plan view thereof;  
 FIG. 3 is a bottom plan view thereof;  
 FIG. 4 is a front elevational view thereof;  
 FIG. 5 is a right side elevational view with the left side being a mirror image thereof; and,  
 FIG. 6 is a rear elevational view thereof.  
 The broken line showing of a portion of a tack in FIG. 1 is for illustrative purposes only and forms no part of the claimed design.

1 Claim, 3 Drawing Sheets



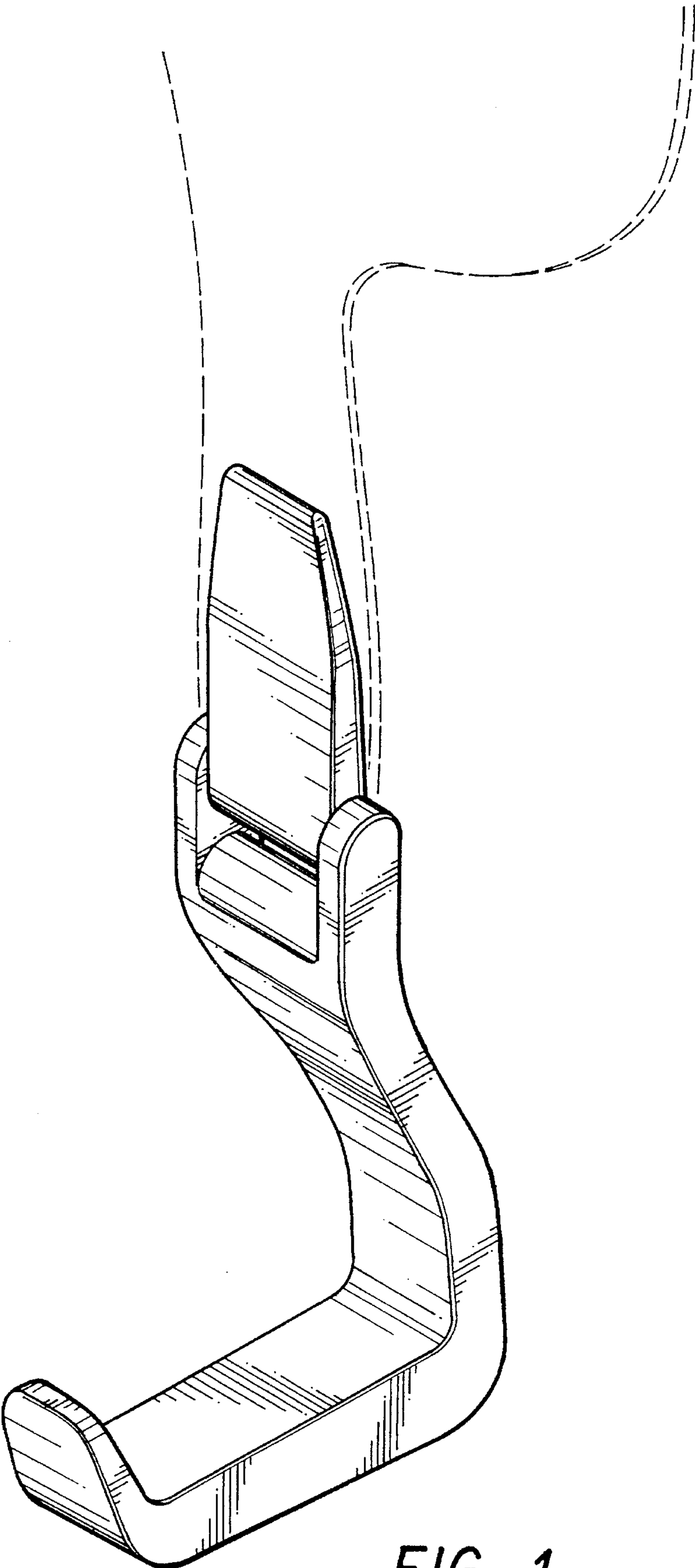


FIG. 1

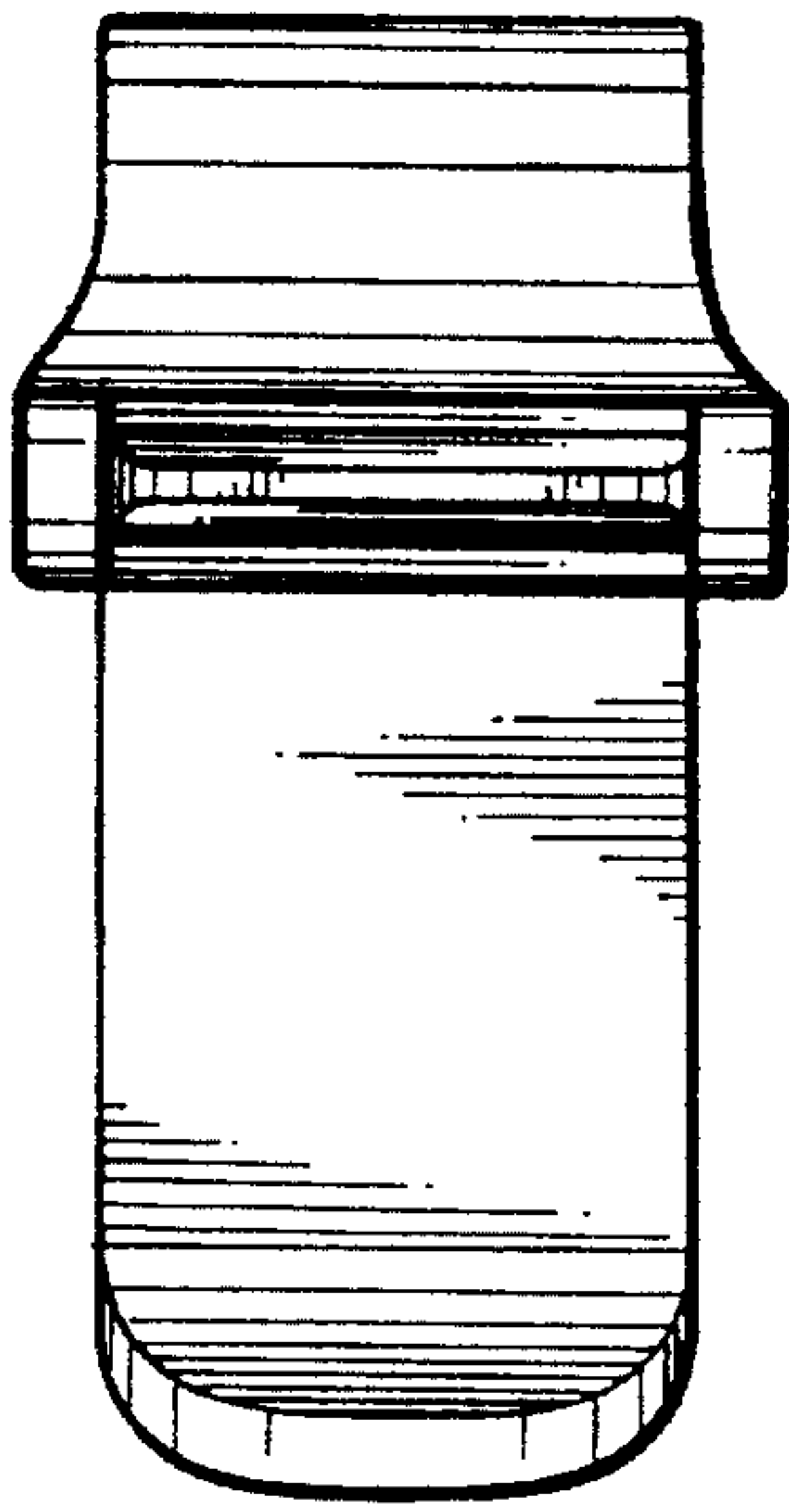


FIG. 2

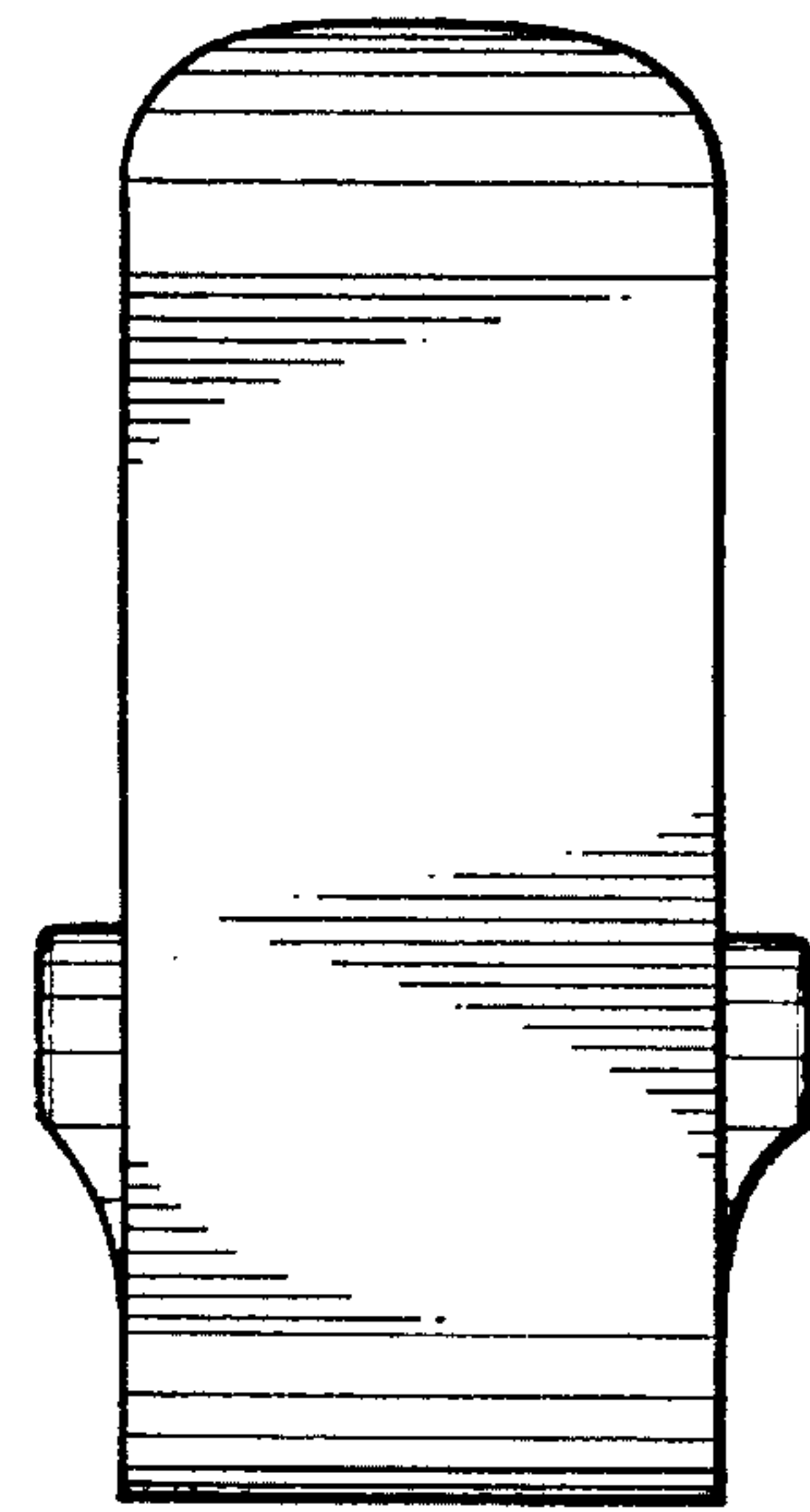


FIG. 3

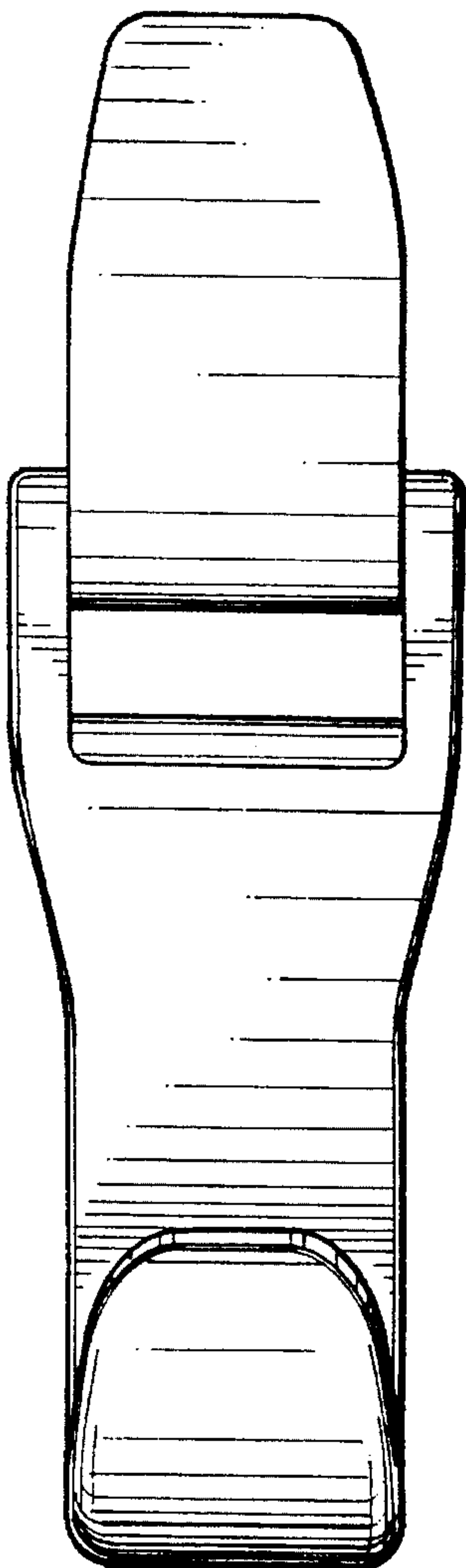


FIG. 4

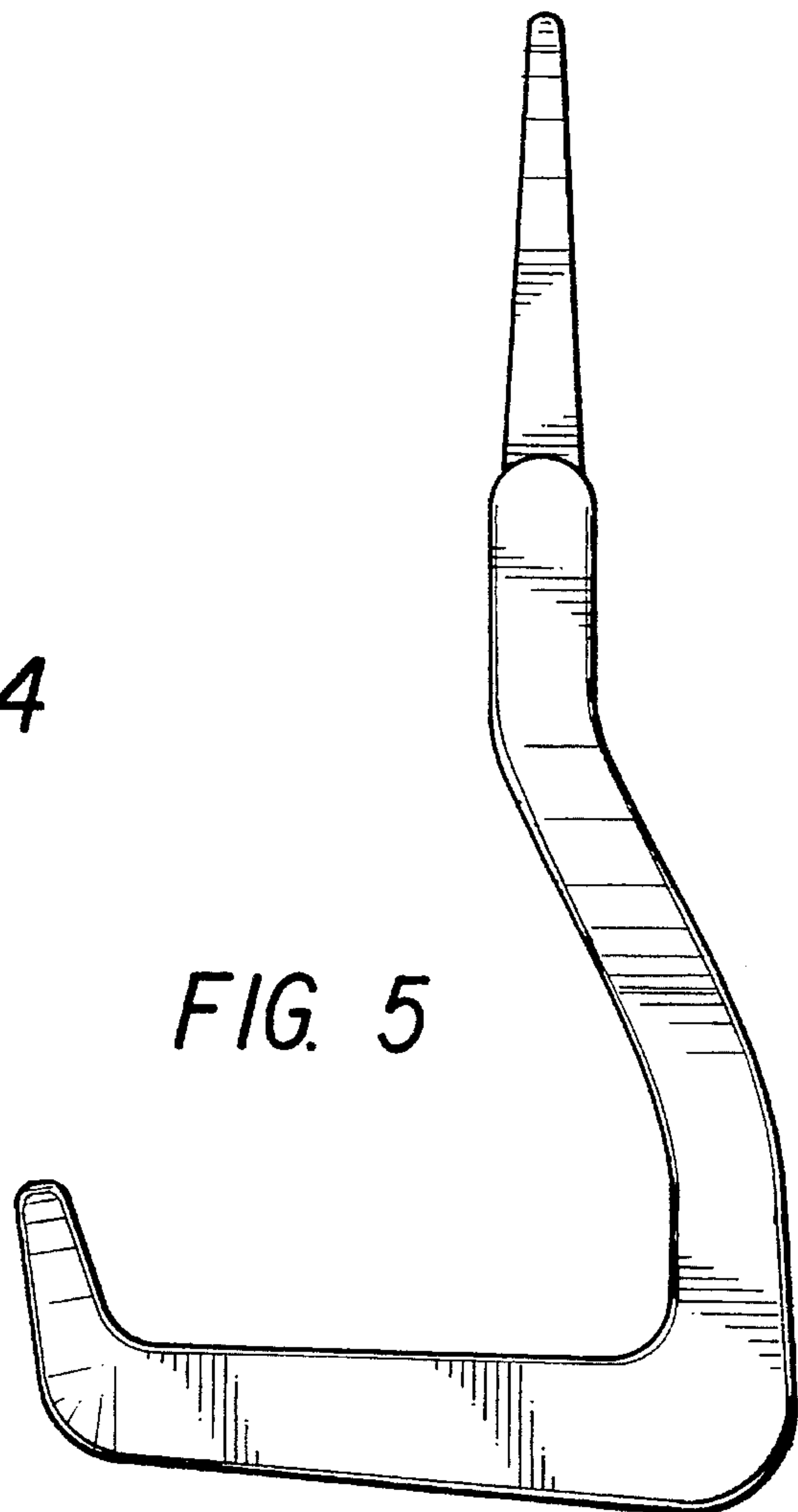


FIG. 5

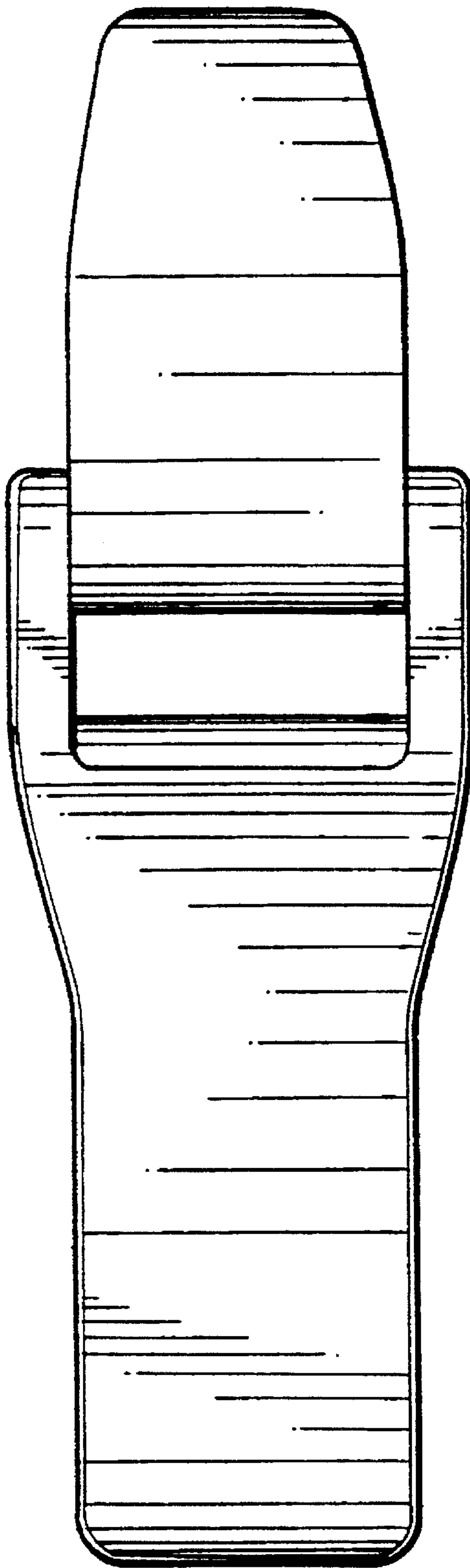


FIG. 6