



US00D370081S

United States Patent [19]
Mauldin

[11] **Patent Number: Des. 370,081**

[45] **Date of Patent: **May 21, 1996**

[54] **PORTABLE ASHTRAY**

D. 345,437 3/1994 Bruno D27/105

[76] Inventor: **Robert Mauldin**, 1416 1/2 E. Tenth Pl.,
The Dalles, Oreg. 97058

Primary Examiner—Marcus A. Jackson
Attorney, Agent, or Firm—Harold H. Dutton, Jr.; Diane F. Liebman; W. Charles Jamison

[**] Term: **14 Years**

[57] **CLAIM**

[21] Appl. No.: **39,539**

The ornamental design for a portable ashtray, as shown and described.

[22] Filed: **May 26, 1995**

[52] **U.S. Cl.** **D27/105**

[58] **Field of Search** D27/105, 127,
D27/135; 131/235.1, 256, 231, 240.1, 238,
242, 242.5, 242.6

DESCRIPTION

FIG. 1 is an enlarged front perspective view of a portable ashtray with the lid open showing my new design;
FIG. 2 is a rear view thereof with the lid closed;
FIG. 3 is a right side view thereof;
FIG. 4 is a left side view thereof;
FIG. 5 is a top view thereof; and,
FIG. 6 is a bottom view thereof.

[56] **References Cited**

U.S. PATENT DOCUMENTS

D. 118,680	1/1940	Visser	D27/105
D. 279,719	7/1985	Tanaka	D27/105
D. 279,720	7/1985	Janaka	D27/105
D. 304,508	11/1989	Charet et al.	D27/105

1 Claim, 4 Drawing Sheets

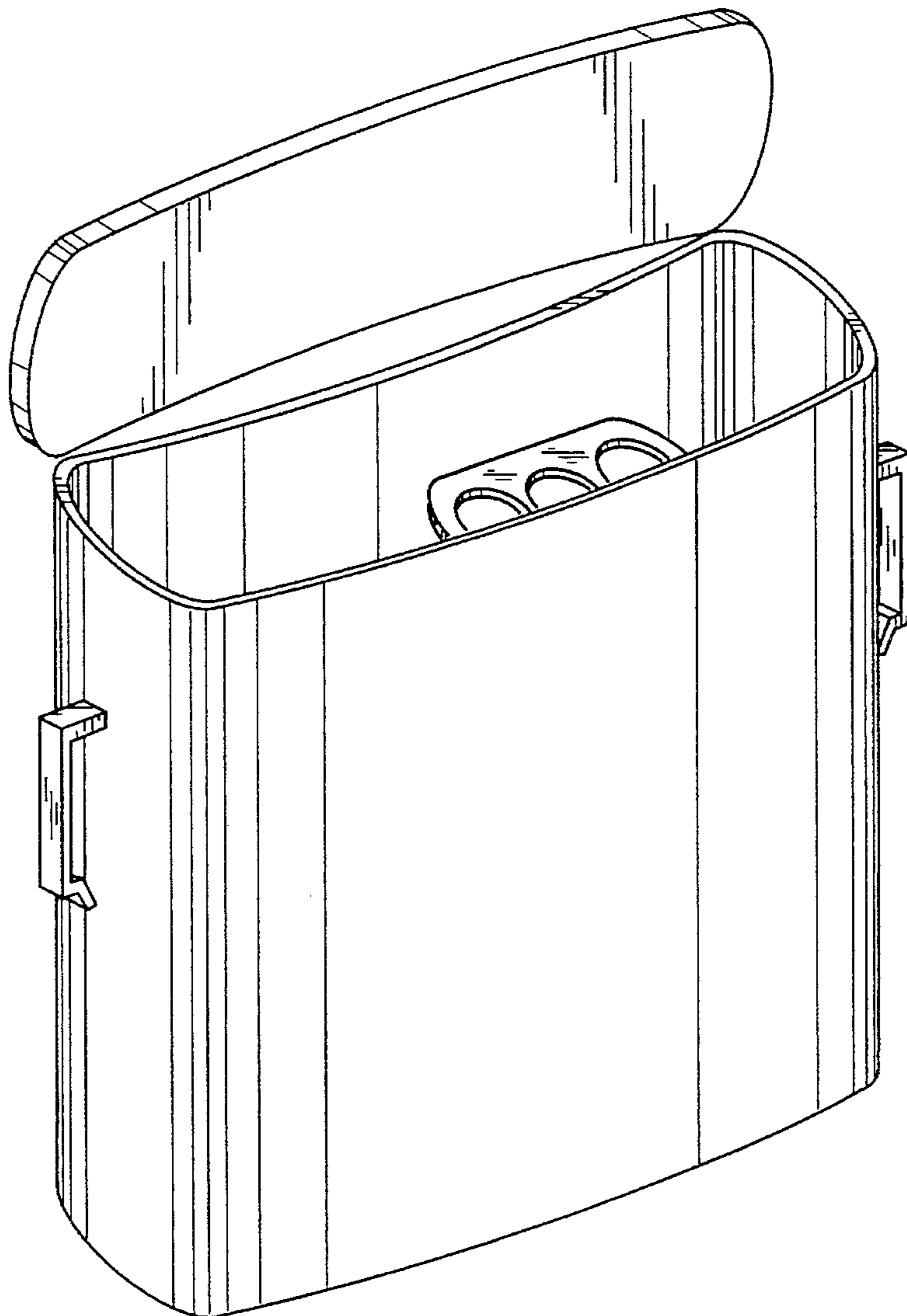
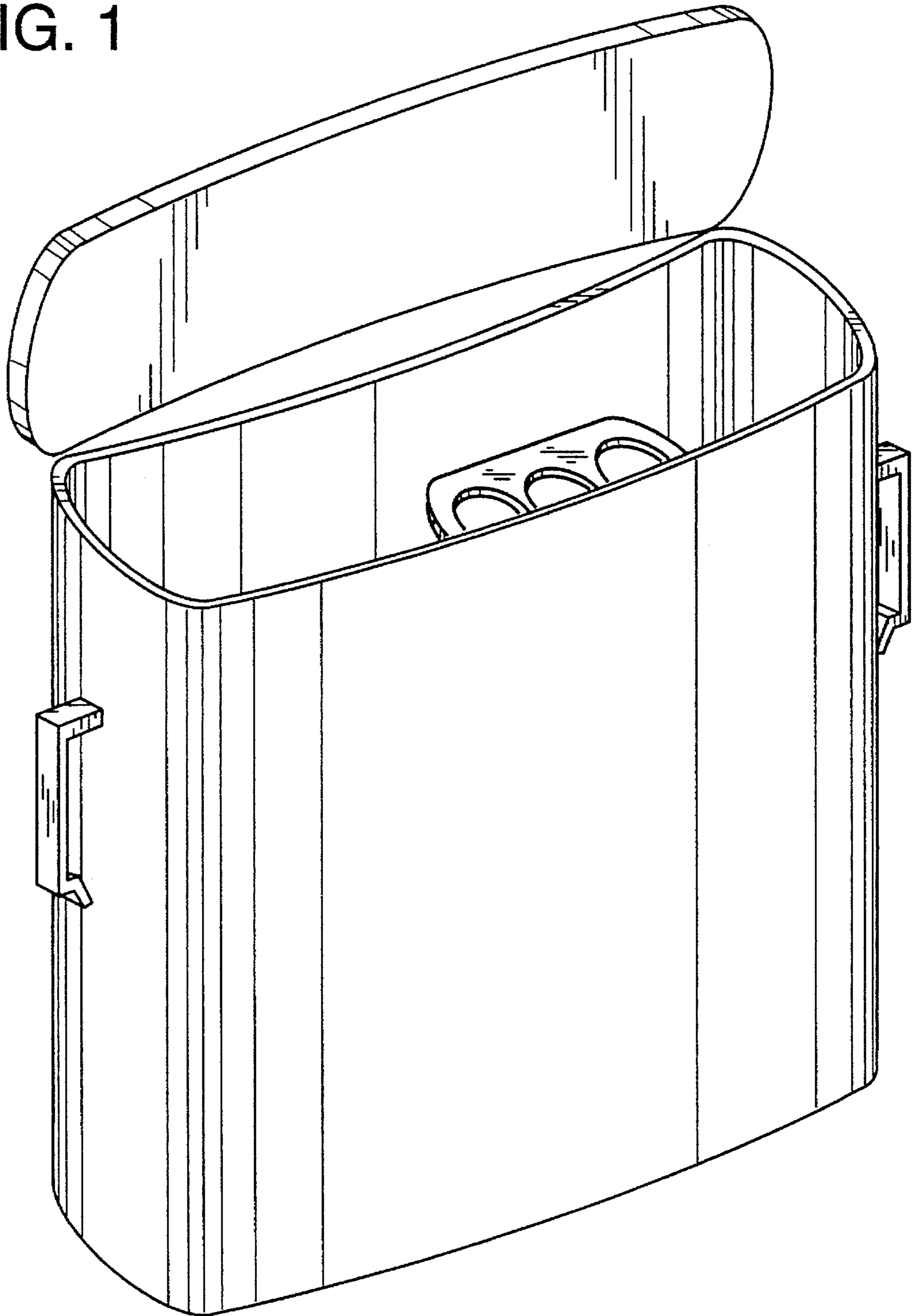


FIG. 1



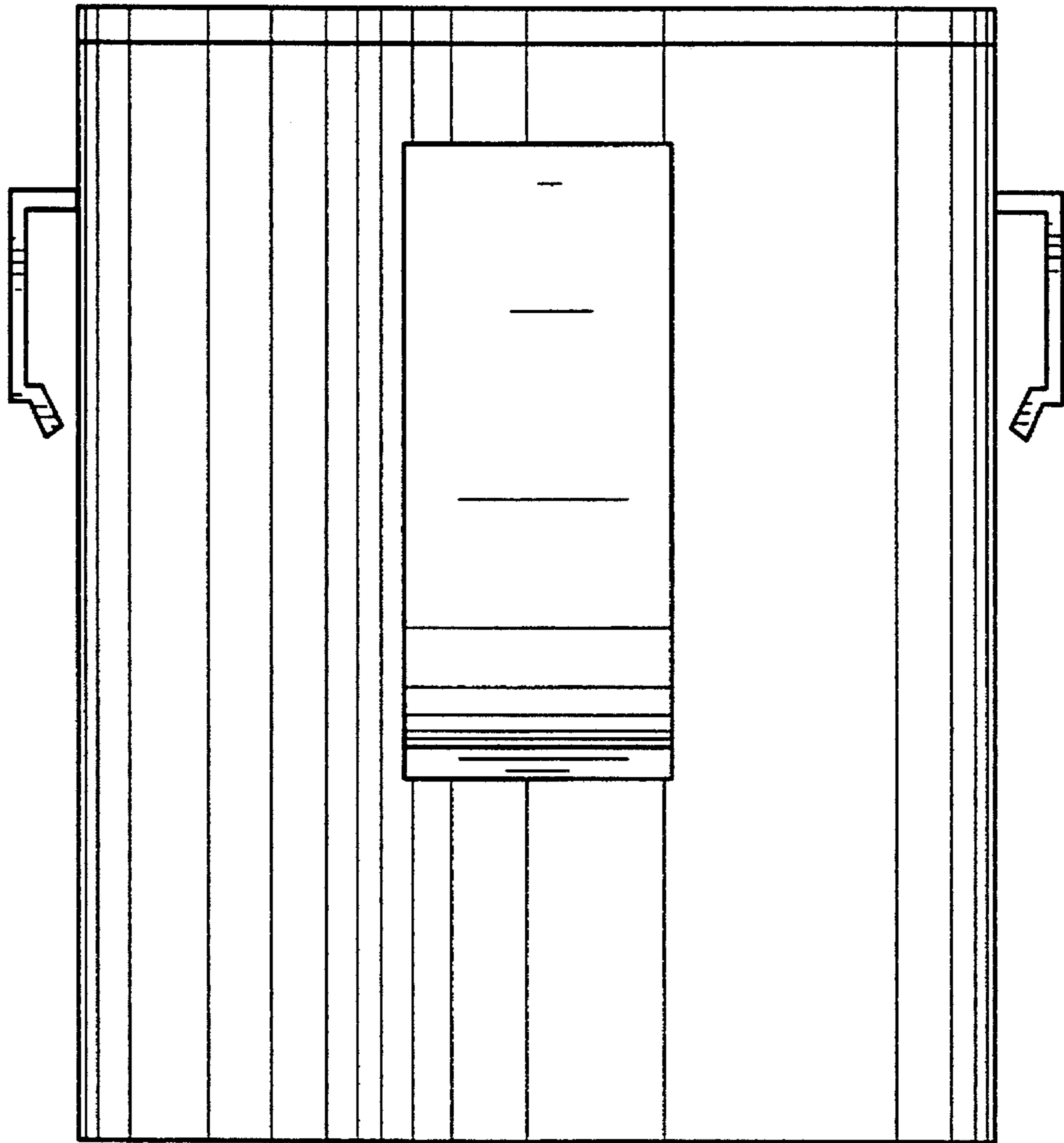


FIG. 2

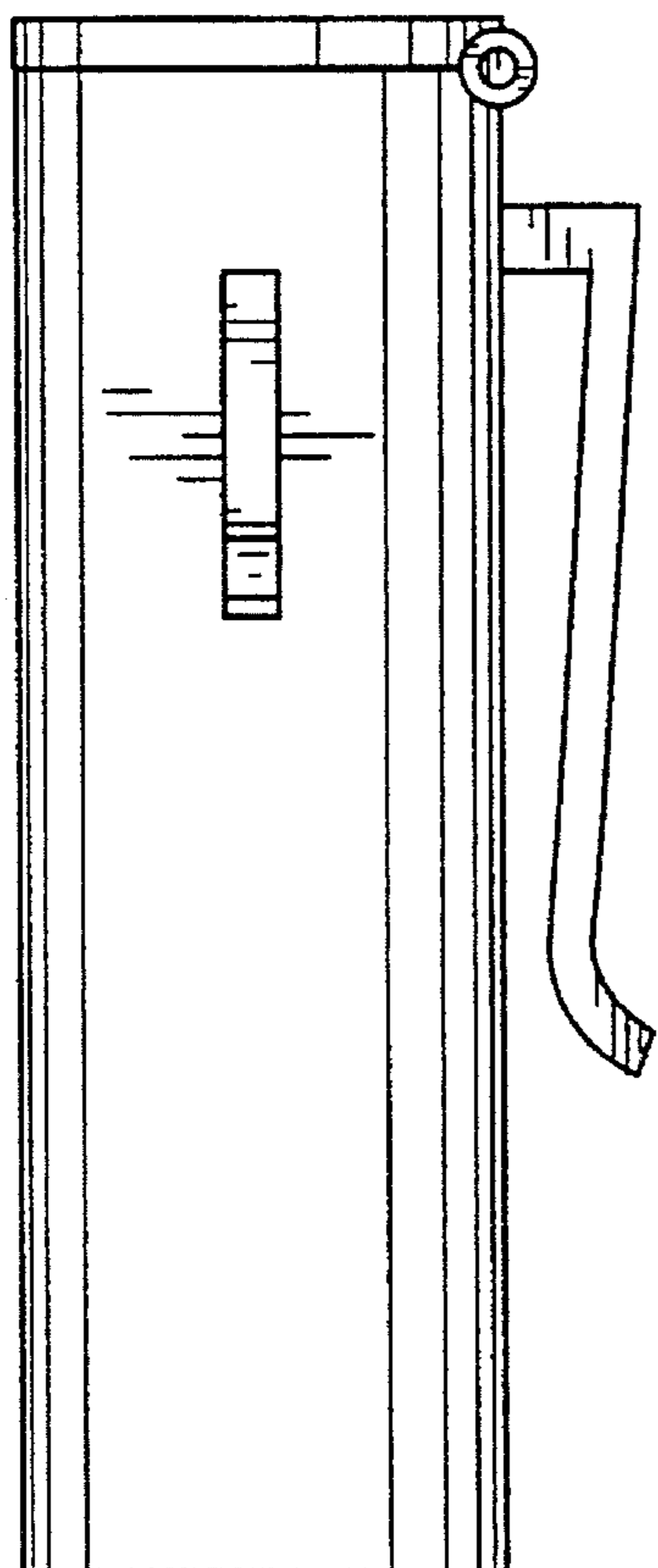


FIG. 3

FIG. 4

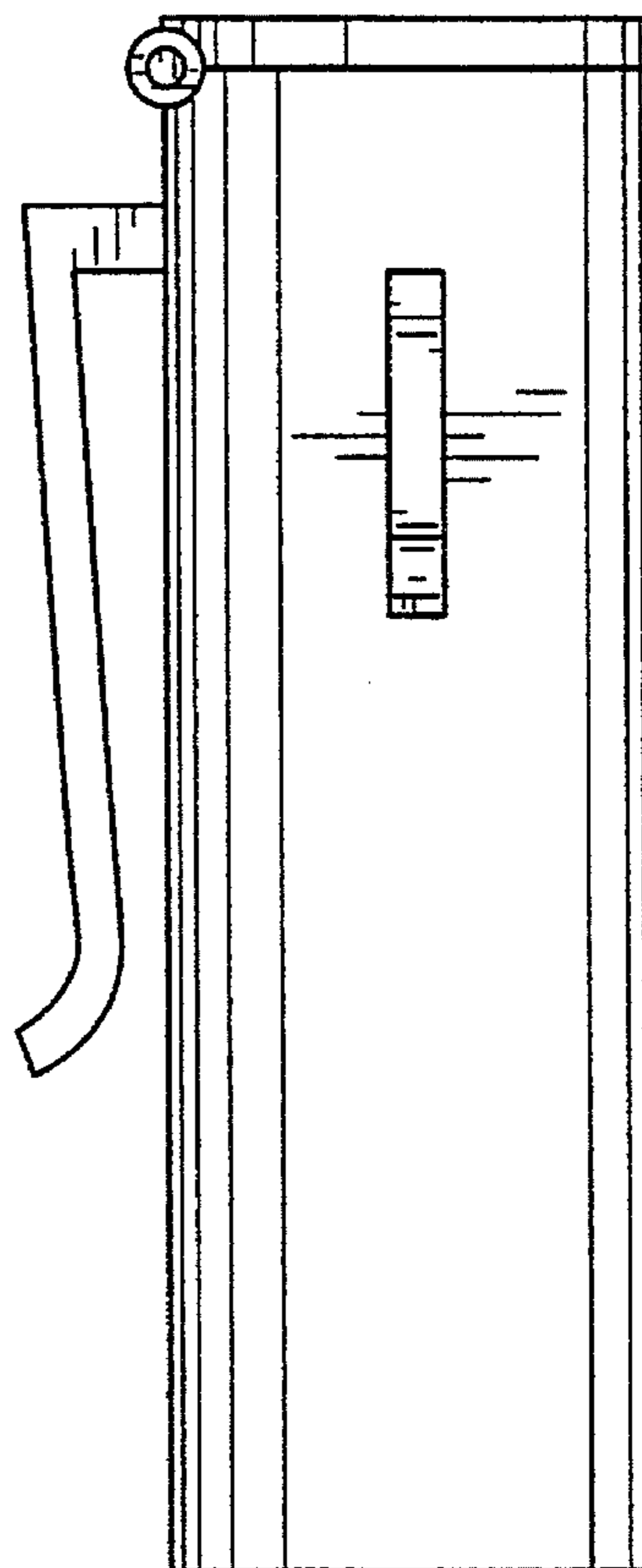


FIG. 5

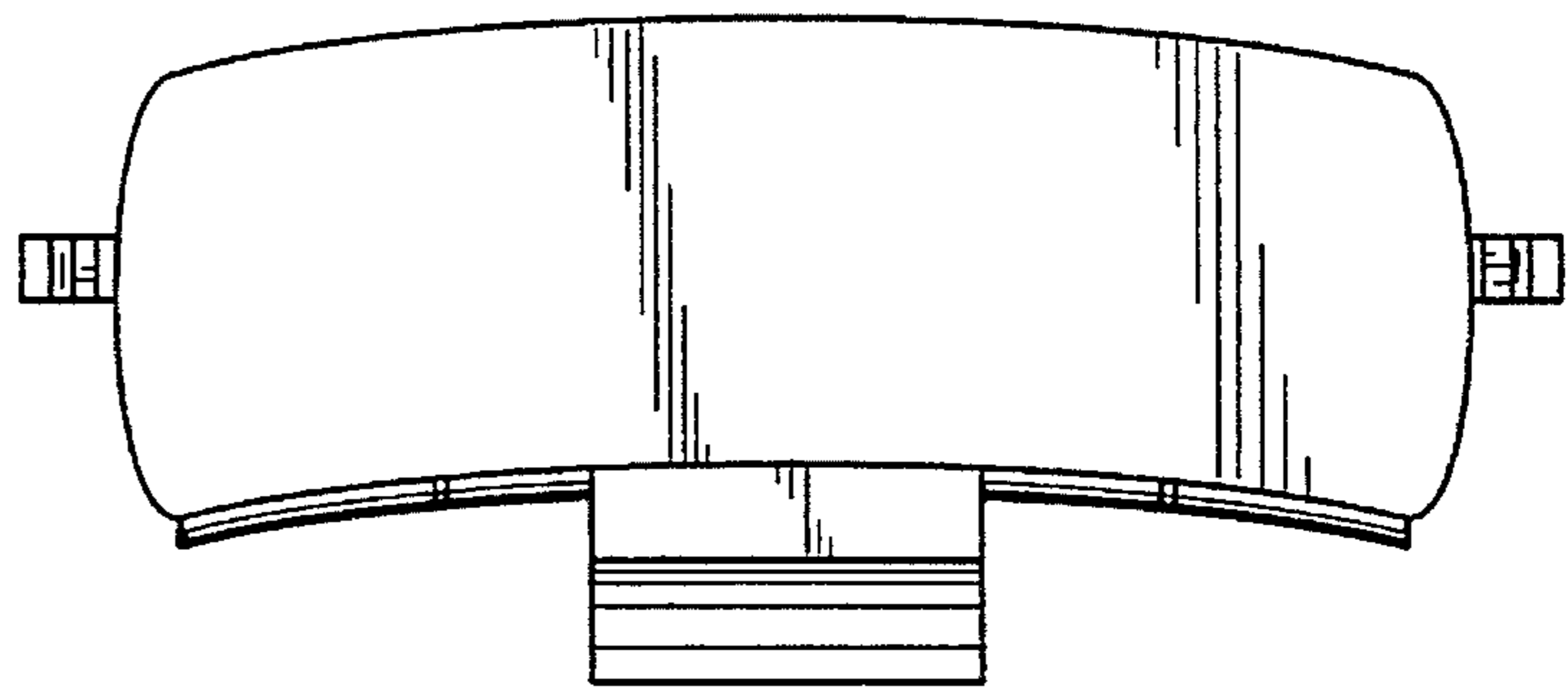
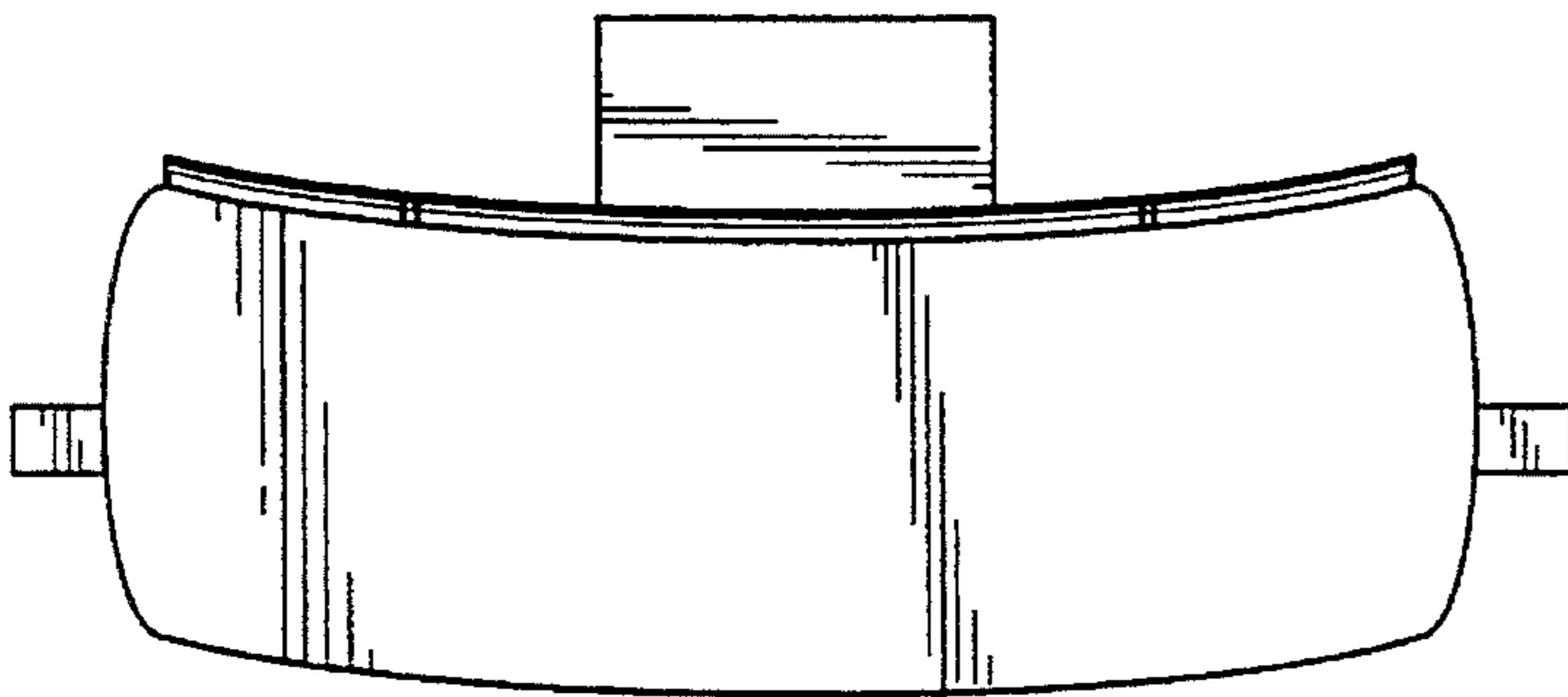


FIG. 6