



US00D370077S

United States Patent [19]
Huang

[11] **Patent Number: Des. 370,077**
[45] **Date of Patent: **May 21, 1996**

[54] **DUAL FLEXIBLE NECK LAMP WITH TORCHIERE**

[76] Inventor: **Thomas M. Huang**, 5649 N. Peck Rd., Arcadia, Calif. 91006

[**] Term: **14 Years**

[21] Appl. No.: **34,842**

[22] Filed: **Feb. 14, 1995**

[52] U.S. Cl. **D26/102; D26/62**

[58] **Field of Search** **D26/60-66, 93, D26/102-112; 362/18, 12, 418, 419, 427, 269, 431, 410-414**

[56] **References Cited**

U.S. PATENT DOCUMENTS

- D. 128,505 7/1941 Simpson D26/62
- D. 171,172 12/1953 Swede D26/62
- D. 347,904 6/1994 Swanson D26/102
- 4,843,530 6/1989 Mori et al. 362/419

OTHER PUBLICATIONS

Home Lighting & Accessories, Jul. 1993, p. 53, Flex Floor Lamp (left).

Primary Examiner—Kay H. Chin
Attorney, Agent, or Firm—Danton K. Mak; Sheldon & Mak, Inc.

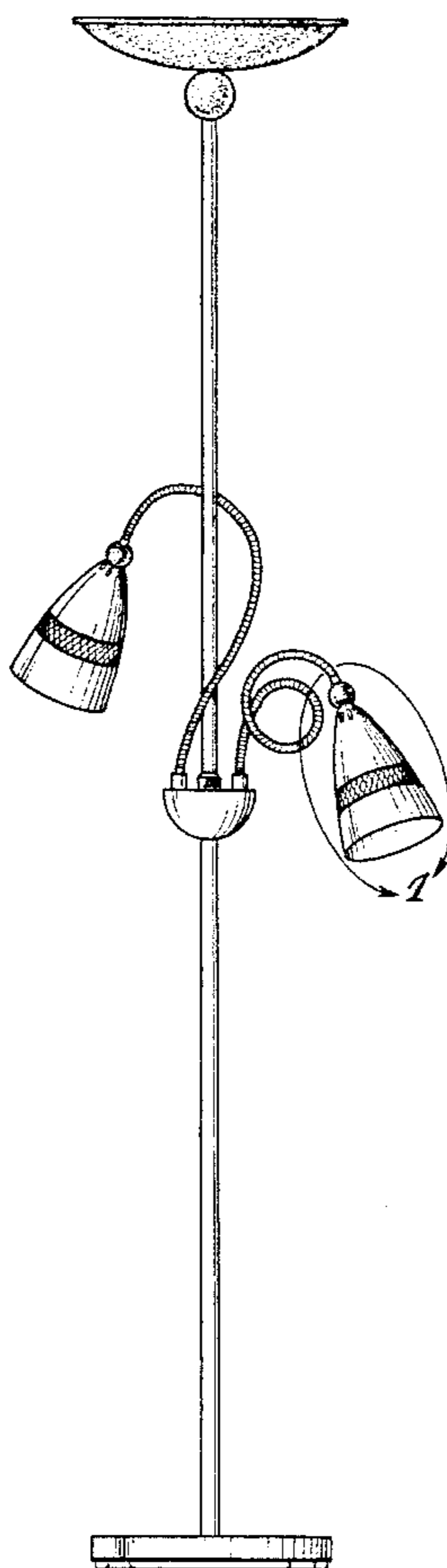
[57] **CLAIM**

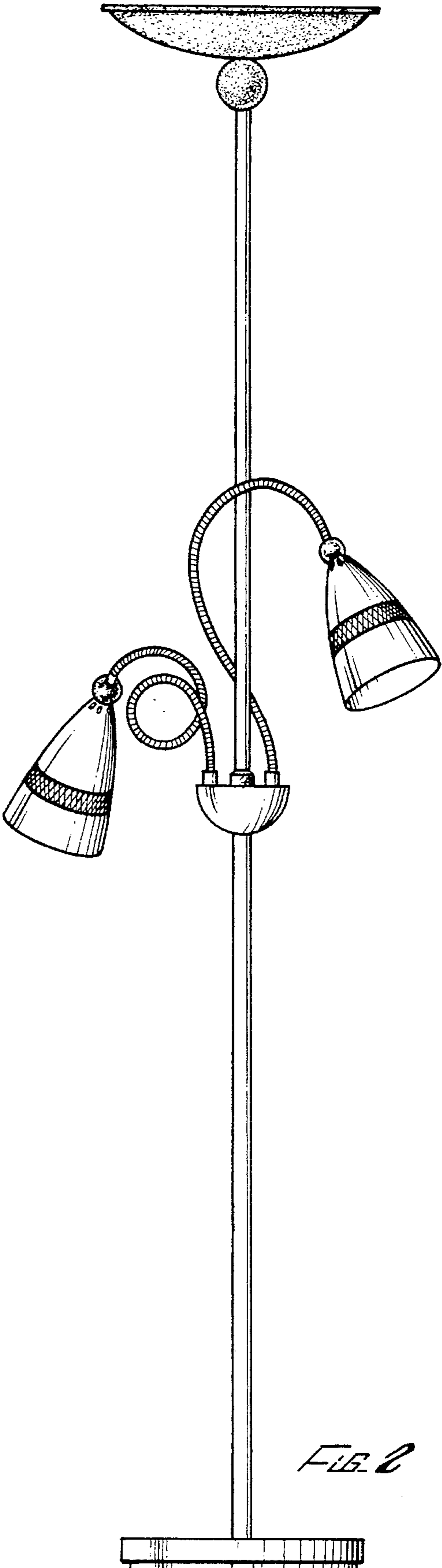
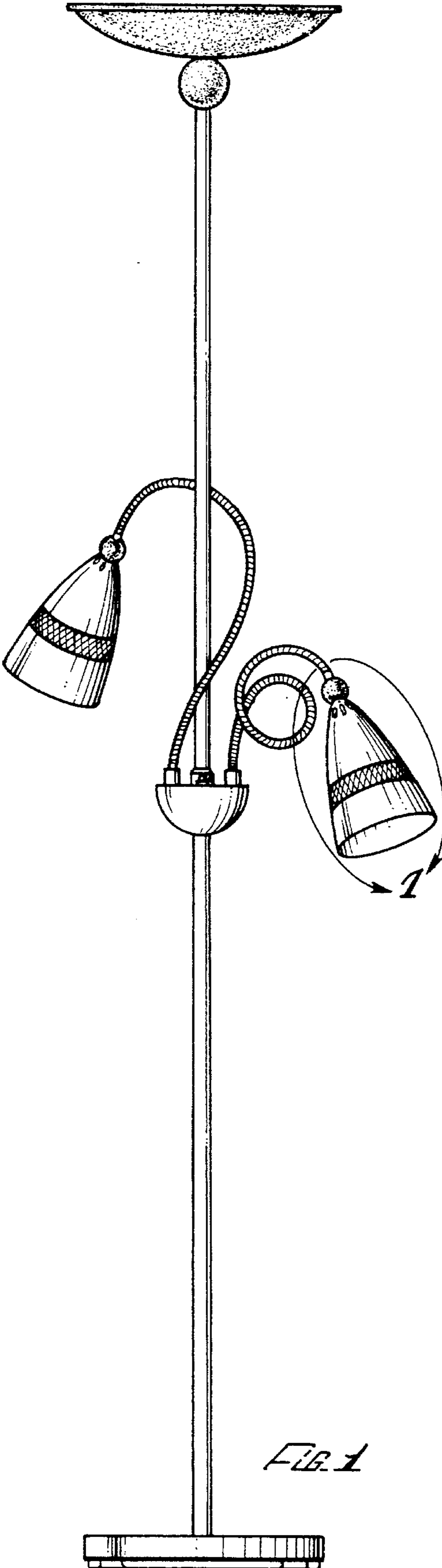
The ornamental design for a dual flexible neck lamp with torchiere, as shown and described.

DESCRIPTION

FIG. 1 is a front elevational view of dual flexible neck lamp with torchiere;
 FIG. 2 is a rear elevational view thereof;
 FIG. 3 is a right side view thereof;
 FIG. 4 is a left side view thereof;
 FIG. 5 is a top plan view thereof;
 FIG. 6 is a bottom view thereof;
 FIG. 7 is a magnified view of the lamp shade of the invention taken along section lines 7 in FIG. 1;
 FIG. 8 is a magnified view of a second embodiment of the lamp shade of the dual flexible neck lamp with torchiere, the remaining part of the lamp being identical to the first embodiment;
 FIG. 9 is a perspective view of FIG. 1 showing neck lamps in different position, the broken lines are for illustrative purposes only and form no part of the claimed design;
 FIG. 10 is a perspective view of FIG. 1 showing neck lamps in another position; and,
 FIG. 11 is a perspective view of FIG. 1 showing neck lamps in another position.

1 Claim, 4 Drawing Sheets





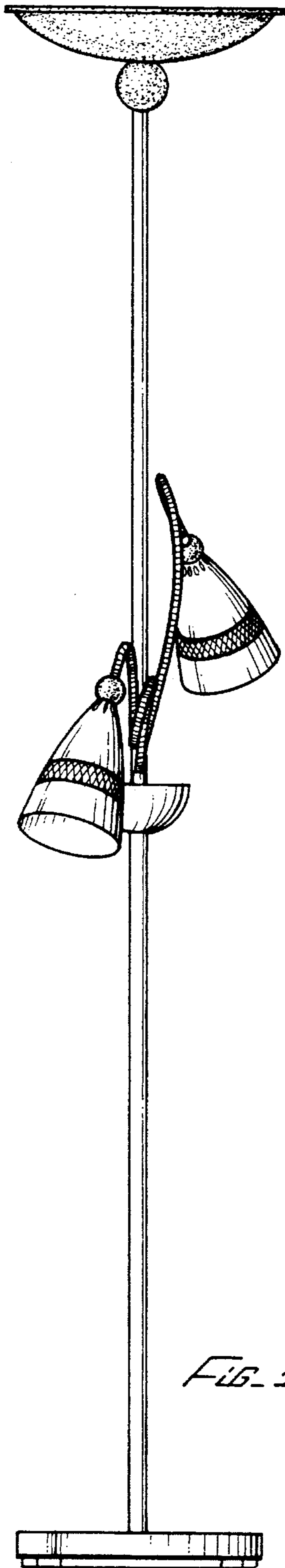


FIG. 3

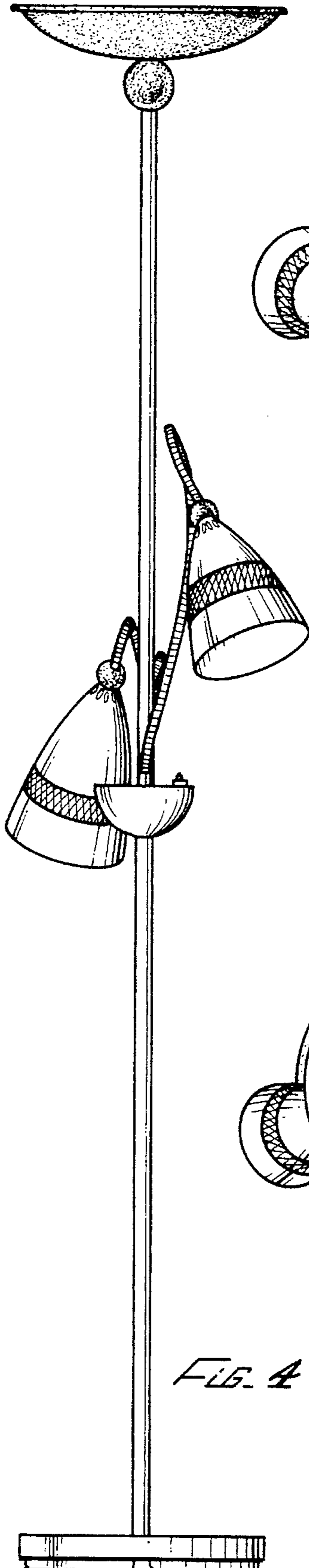


FIG. 4

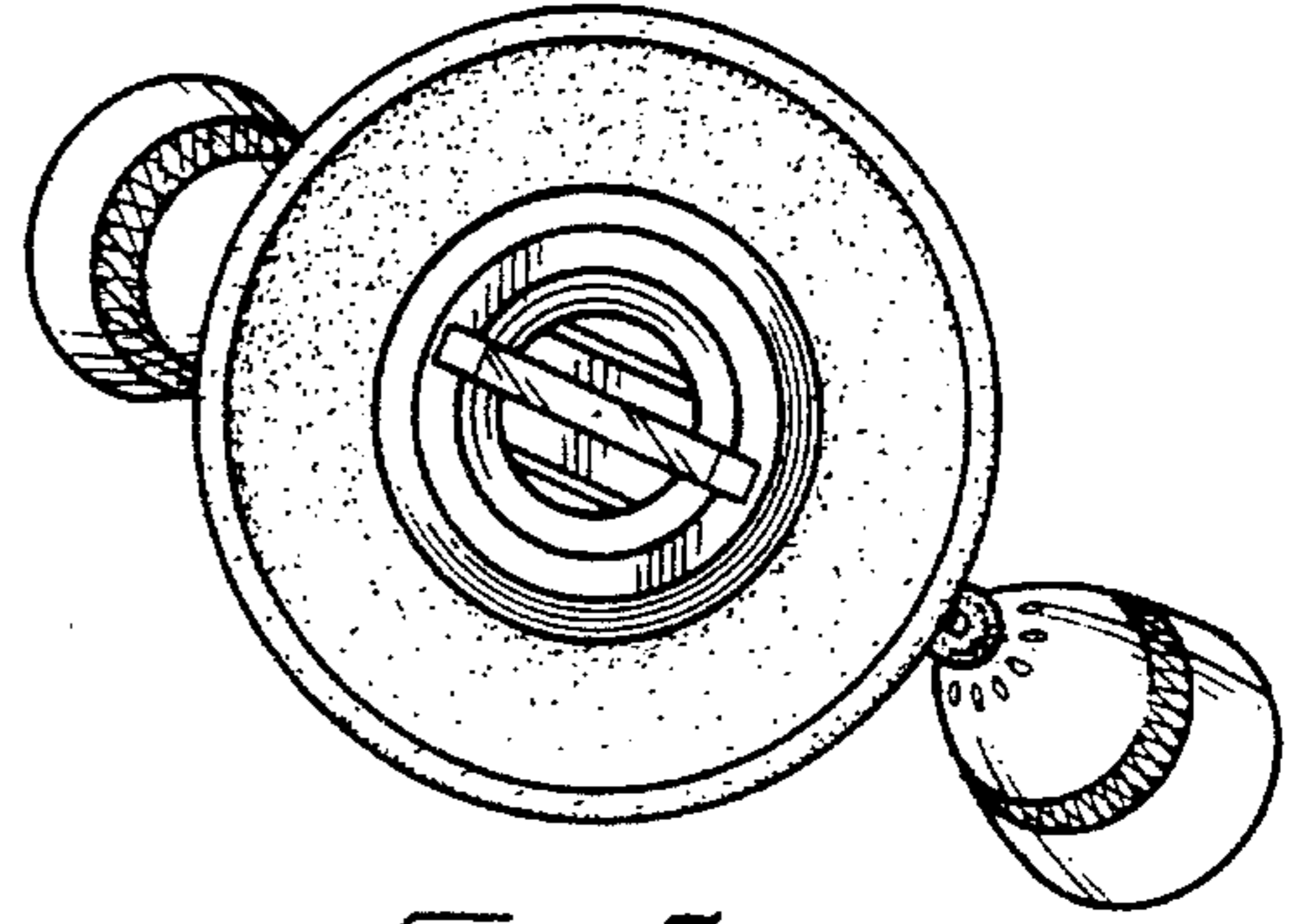


FIG. 5

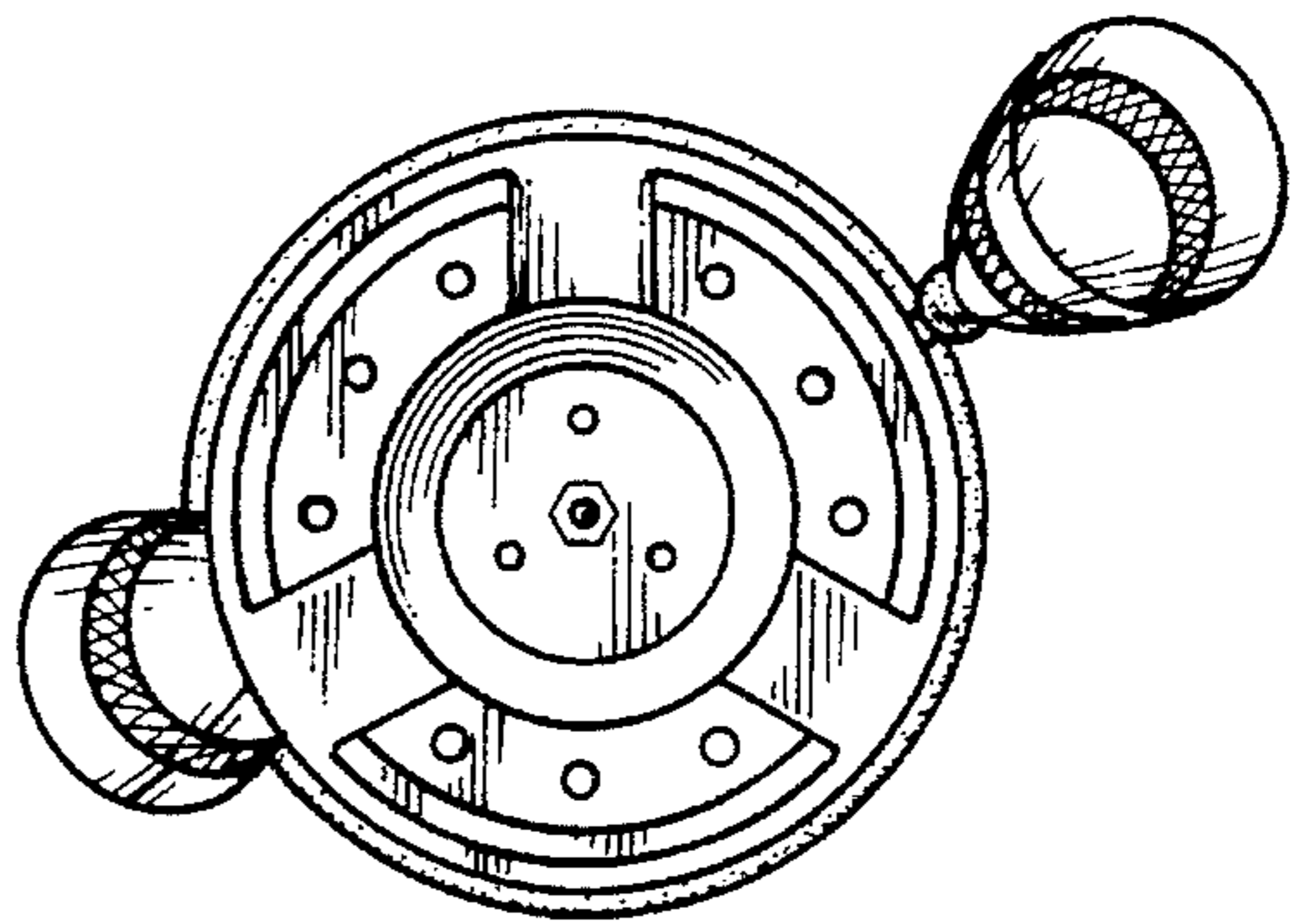
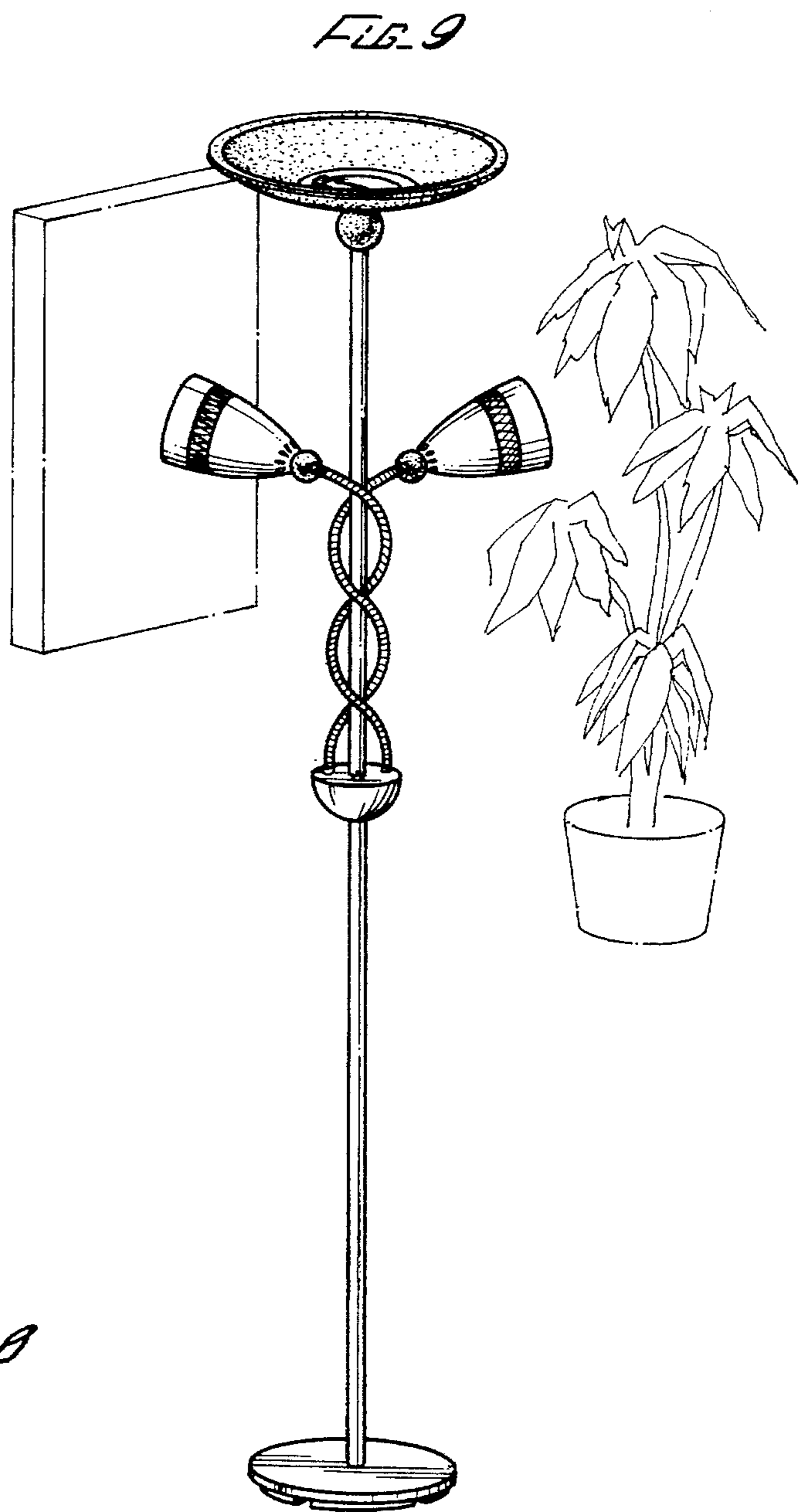
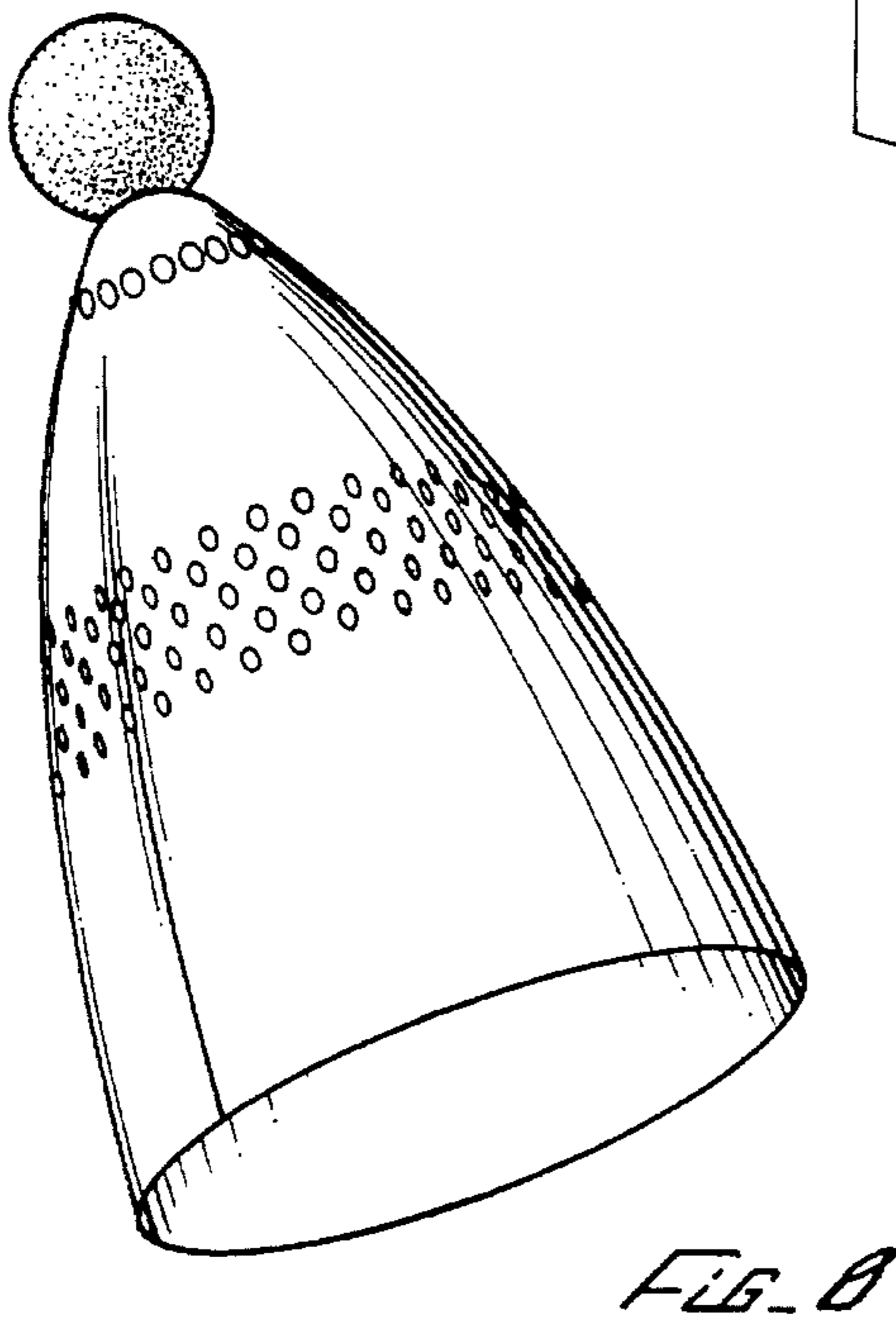
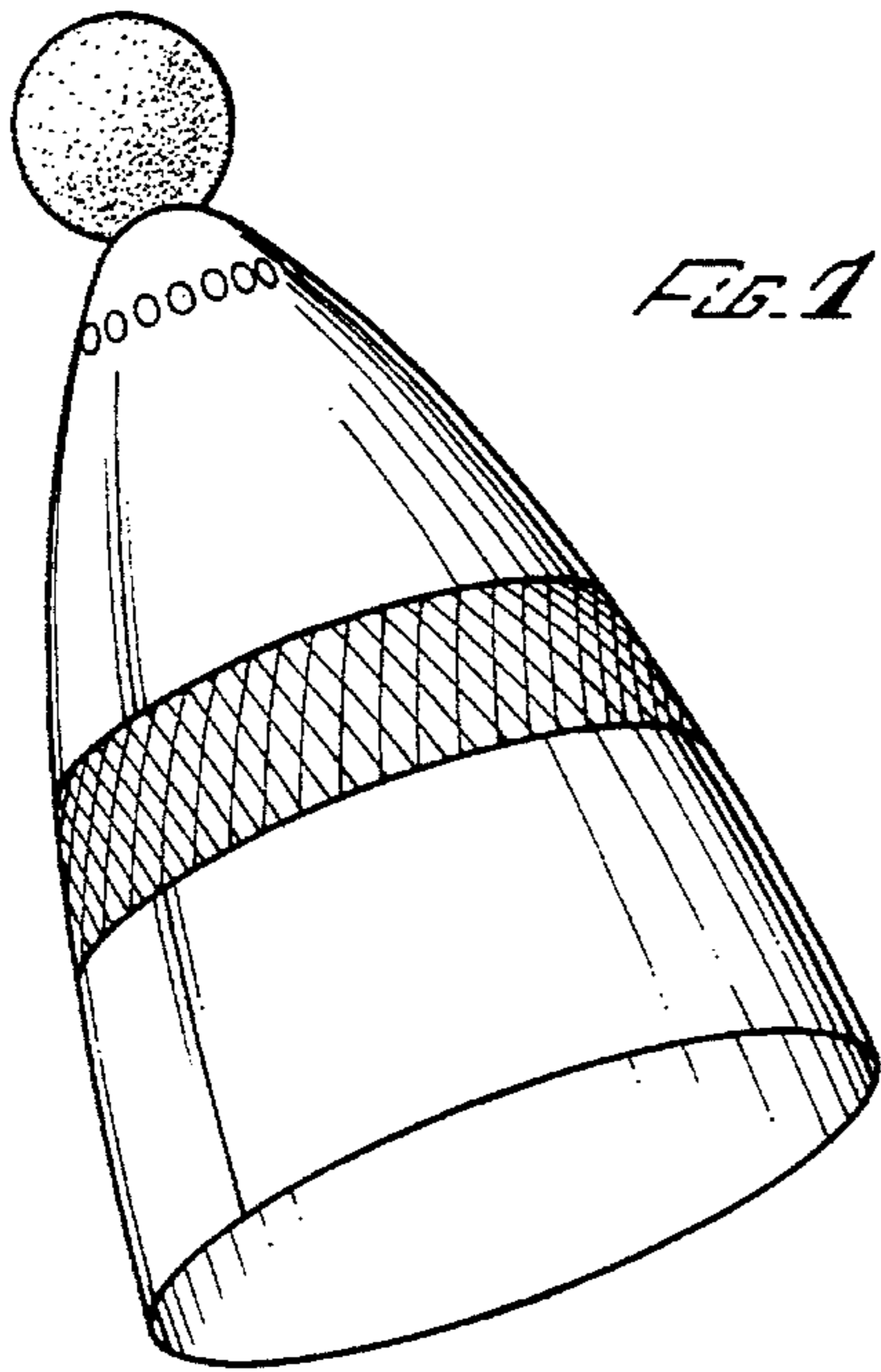


FIG. 6



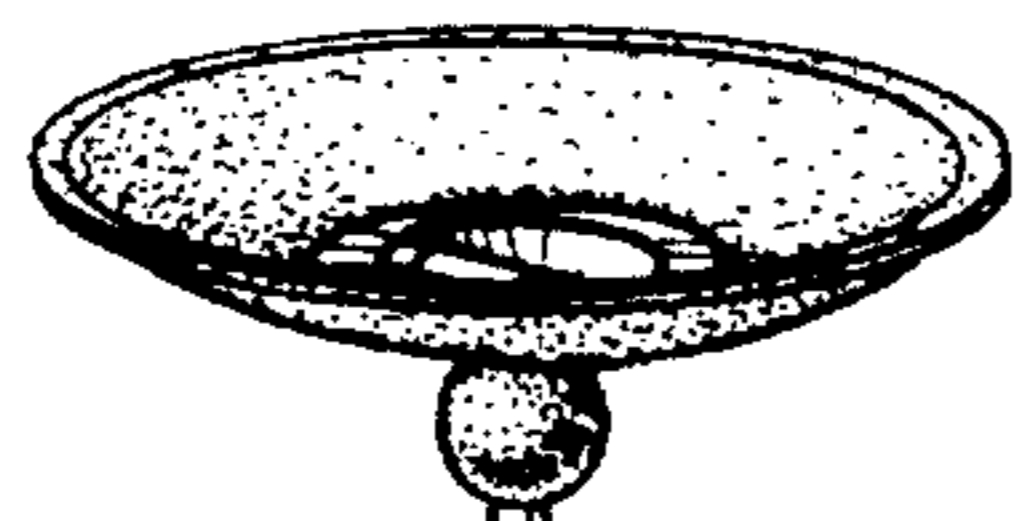


FIG. 10

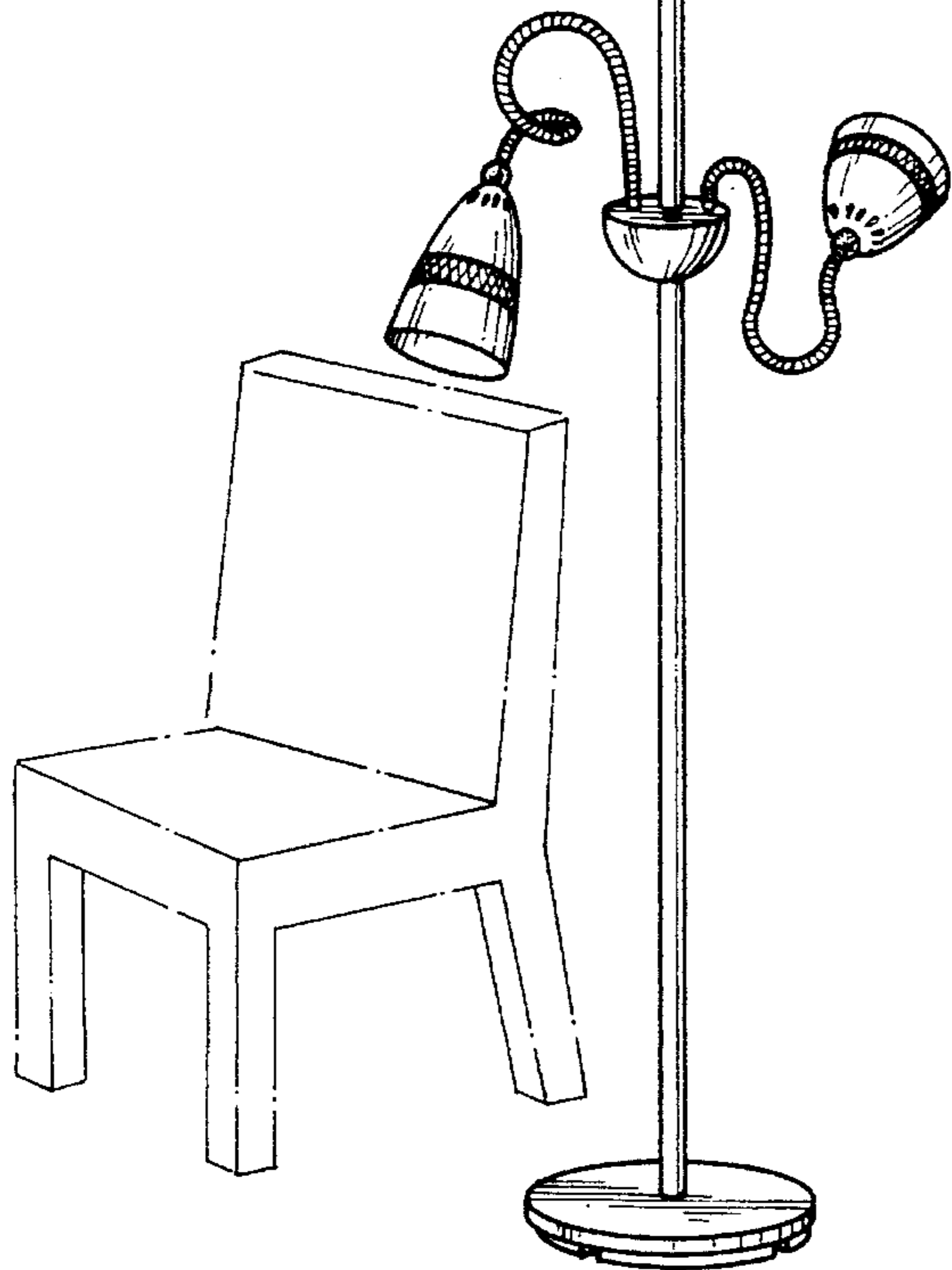


FIG. 11

