



US00D370075S

United States Patent [19]

Mier-Langner et al.

[11] Patent Number: **Des. 370,075**

[45] Date of Patent: ****May 21, 1996**

[54] **TRACK LIGHT**

[75] Inventors: **Alejandro Mier-Langner**, Providence, R.I.; **Anthony Donato**, Wellesley; **Horst Bernhart**, Fairhaven, both of Mass.

[73] Assignee: **Lightolier Division of The Genlyte Group Incorporated**, Fall River, Mass.

[**] Term: **14 Years**

[21] Appl. No.: **37,987**

[22] Filed: **Apr. 21, 1995**

[52] U.S. Cl. **D26/63**

[58] Field of Search D26/61, 63, 65; 362/269, 275, 285, 418, 419, 427

[56] **References Cited**

U.S. PATENT DOCUMENTS

| | | | | |
|------------|--------|-------------------|-------|-----------|
| D. 326,162 | 5/1992 | Price | | D26/63 |
| D. 361,146 | 8/1995 | Jandrisits et al. | | D26/63 |
| 4,814,955 | 3/1989 | Price | | 362/427 X |

Primary Examiner—Susan J. Lucas
Attorney, Agent, or Firm—Hopgood Calimafde Kalil & Judlowe

[57] **CLAIM**

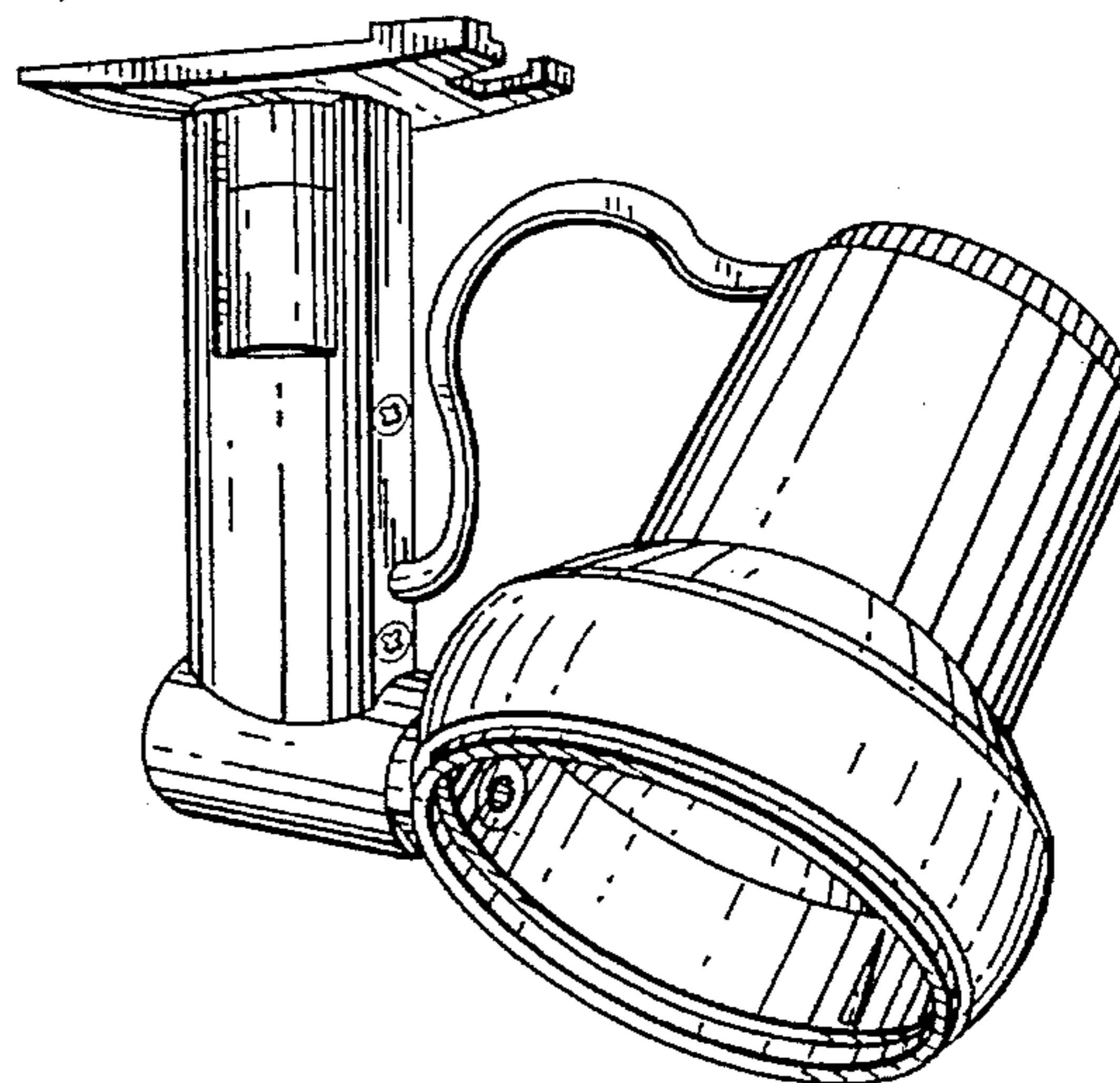
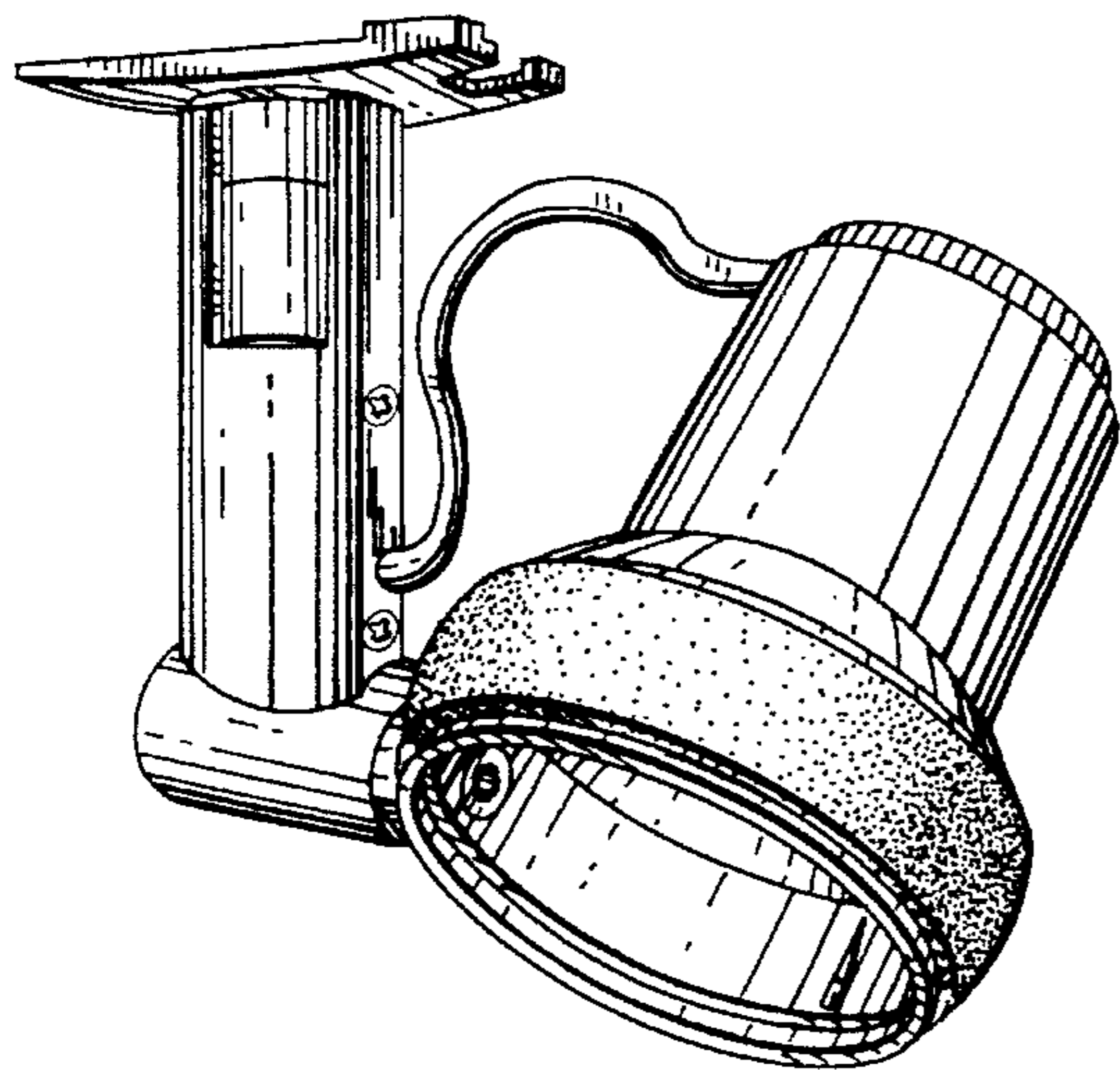
The ornamental design for a track light, as shown and described.

DESCRIPTION

FIG. 1 is a first perspective view of the track light; FIG. 2 is a first side view of the track light; FIG. 3 is a front view of the track light; FIG. 4 is a rear view of the track light; FIG. 5 is a second side view of the track light; FIG. 6 is a bottom view of the track light; FIG. 7 is a perspective view of a second embodiment of the track light; and, FIG. 8 is a first side view of the second embodiment of the track light.

The second embodiment differs from the first embodiment only by the omission of the stippling.

1 Claim, 4 Drawing Sheets



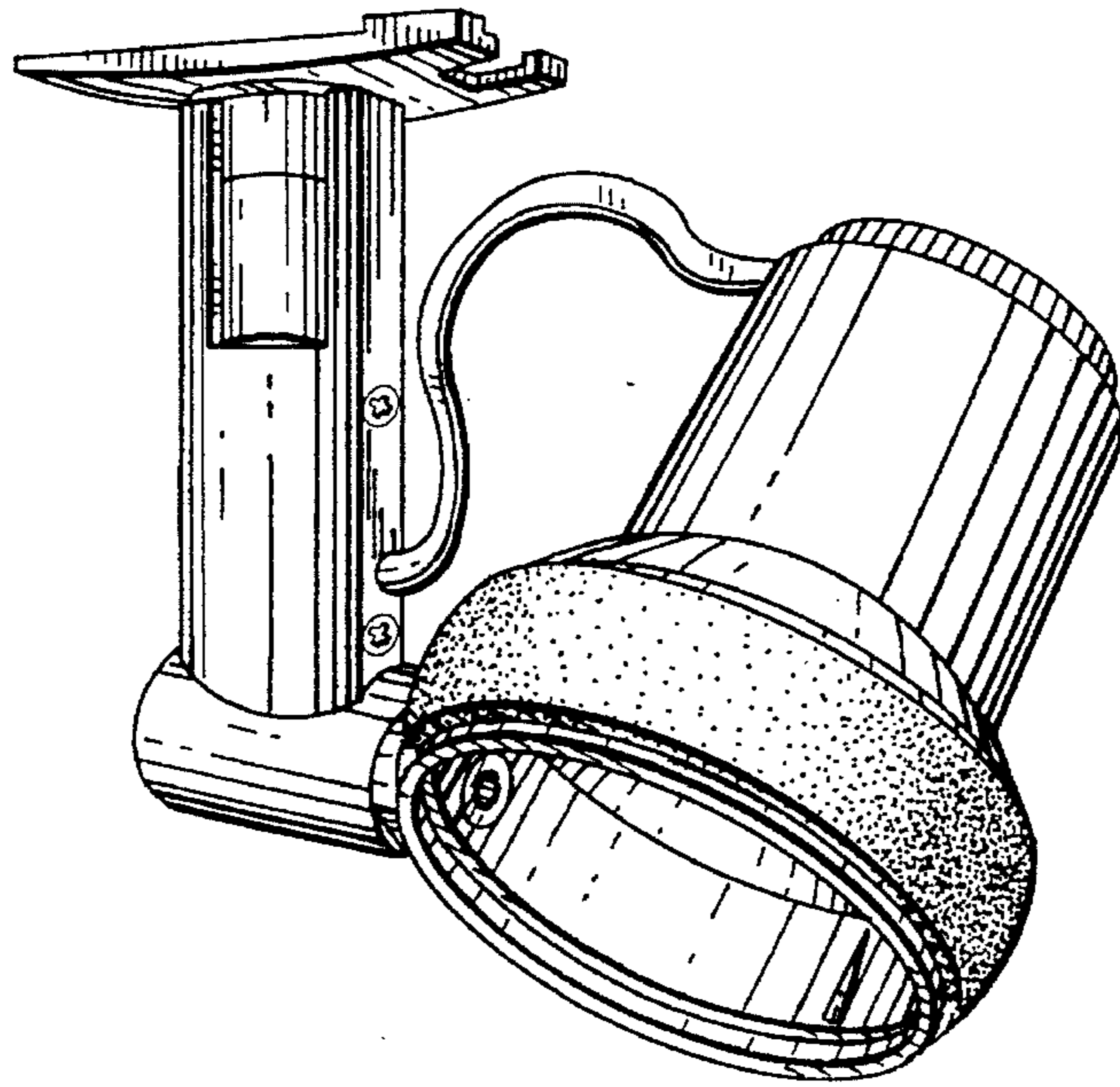


FIG. 1

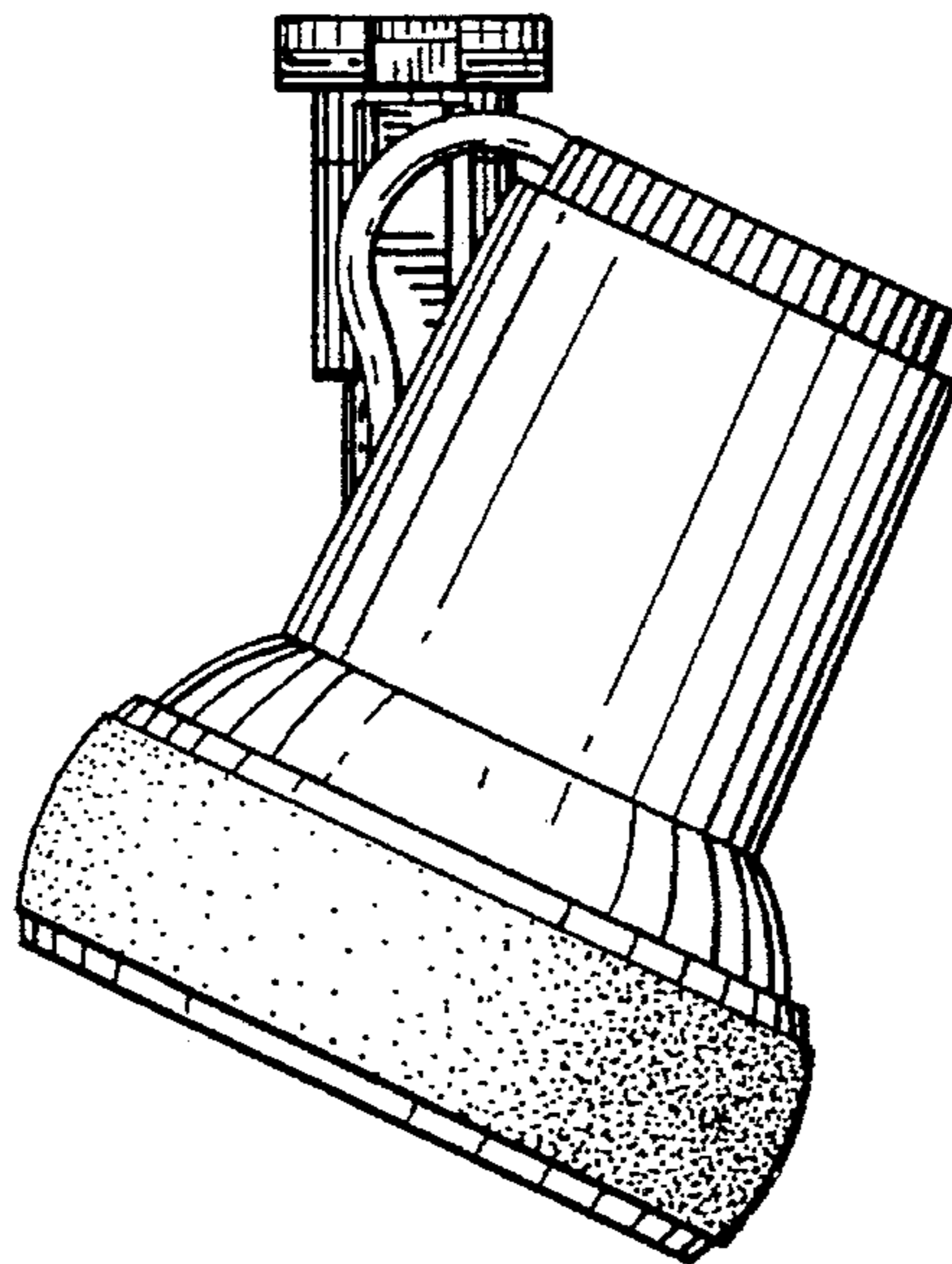


FIG. 2

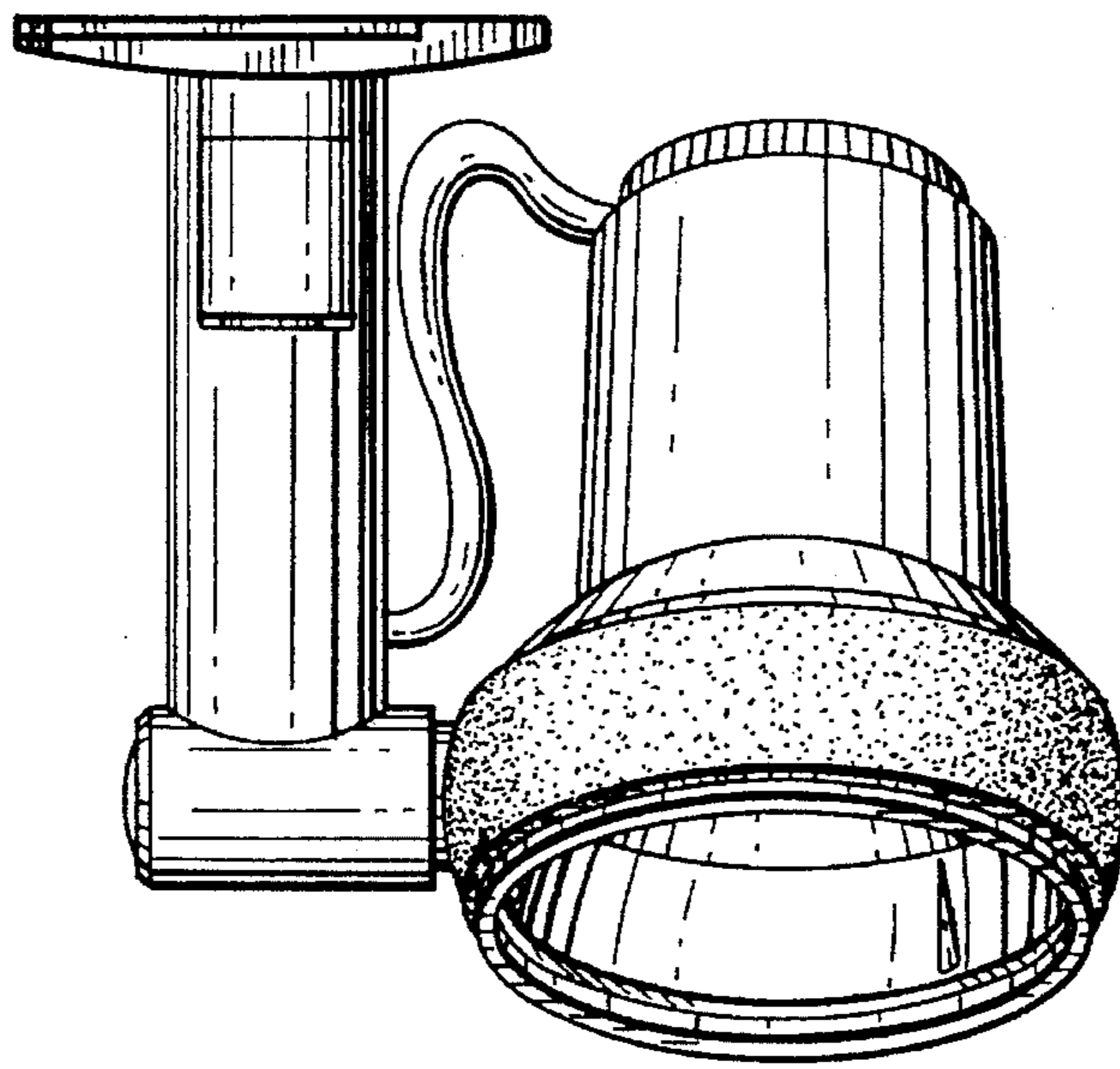


FIG. 3

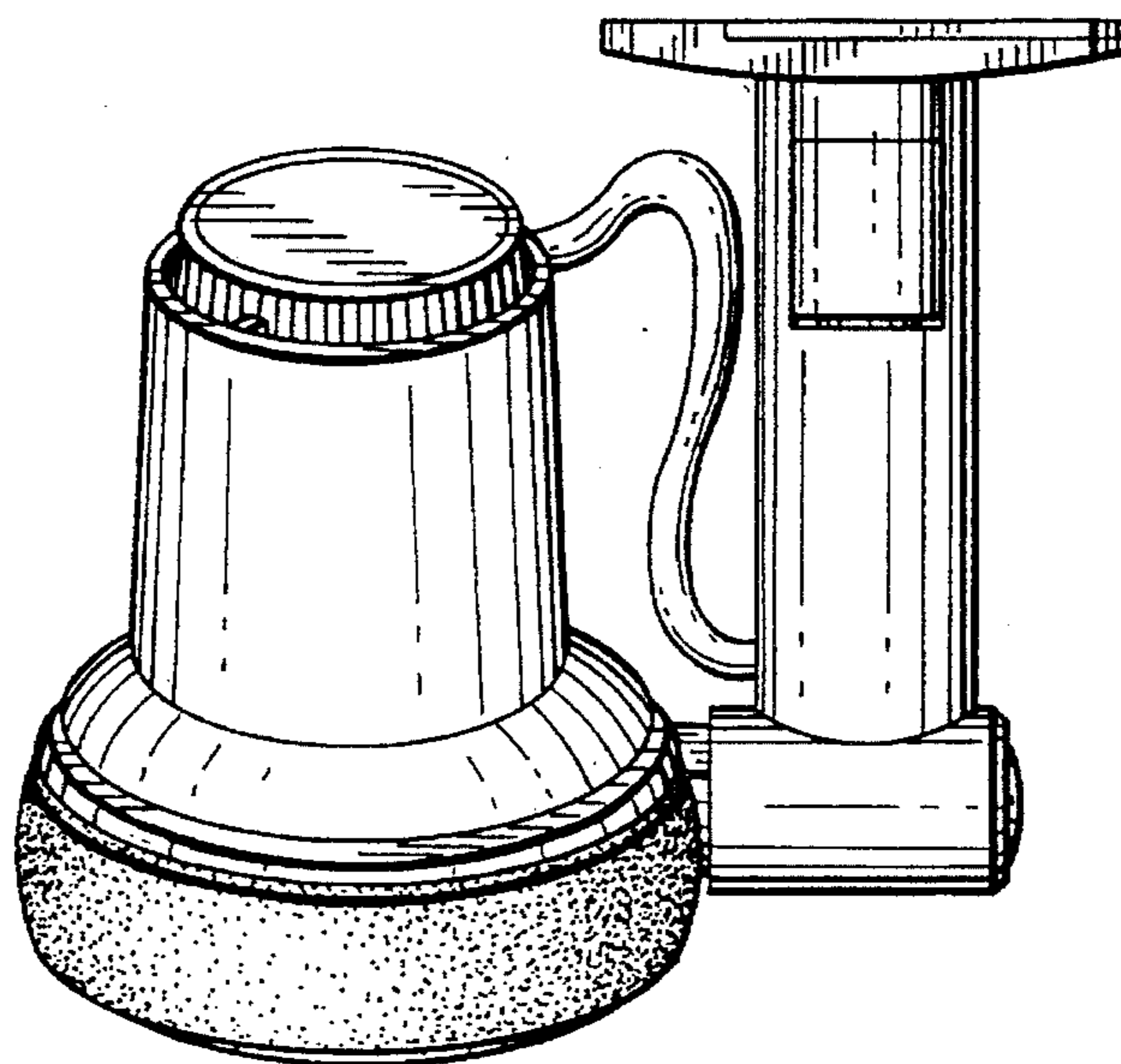


FIG. 4

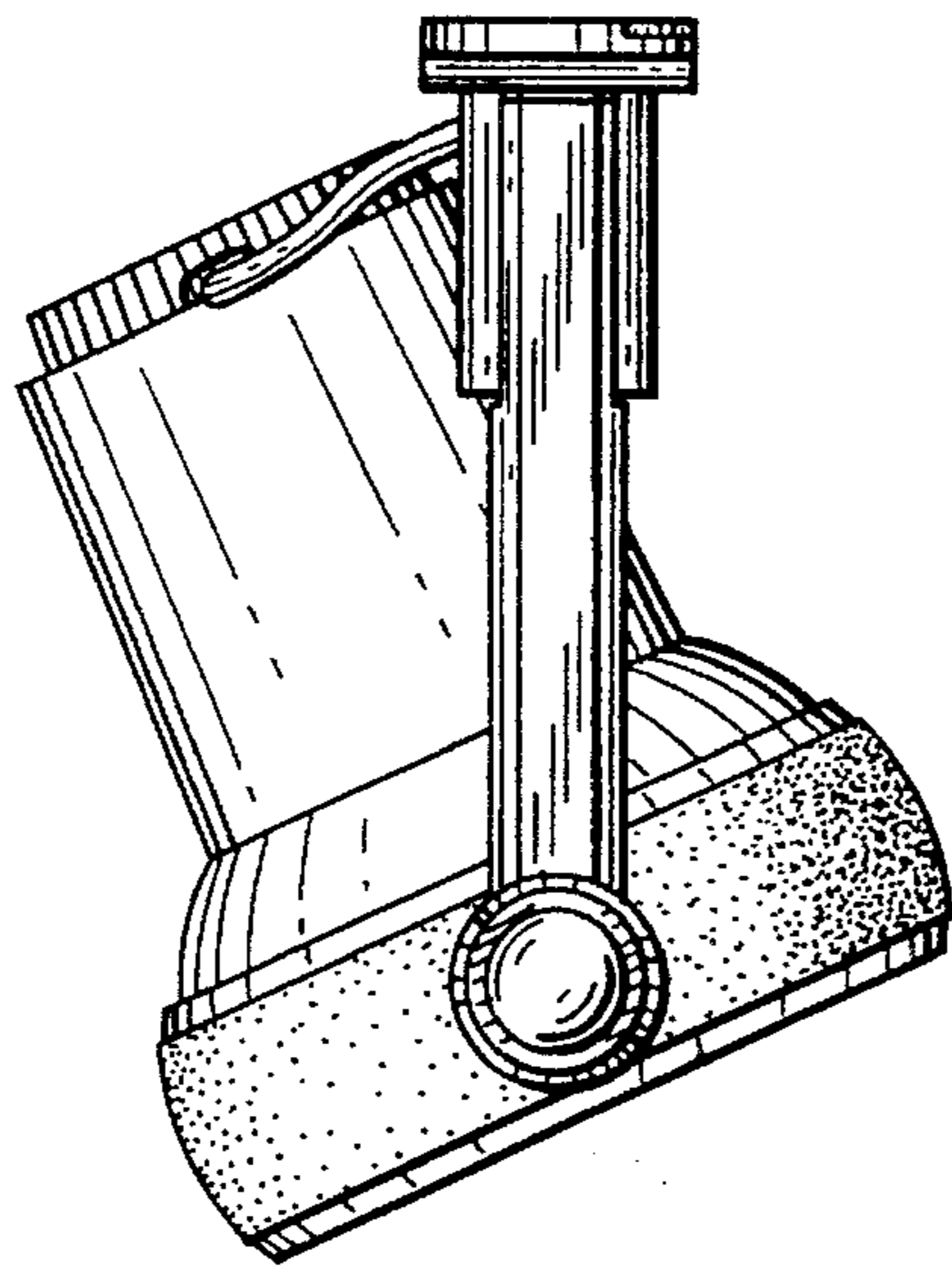


FIG. 5

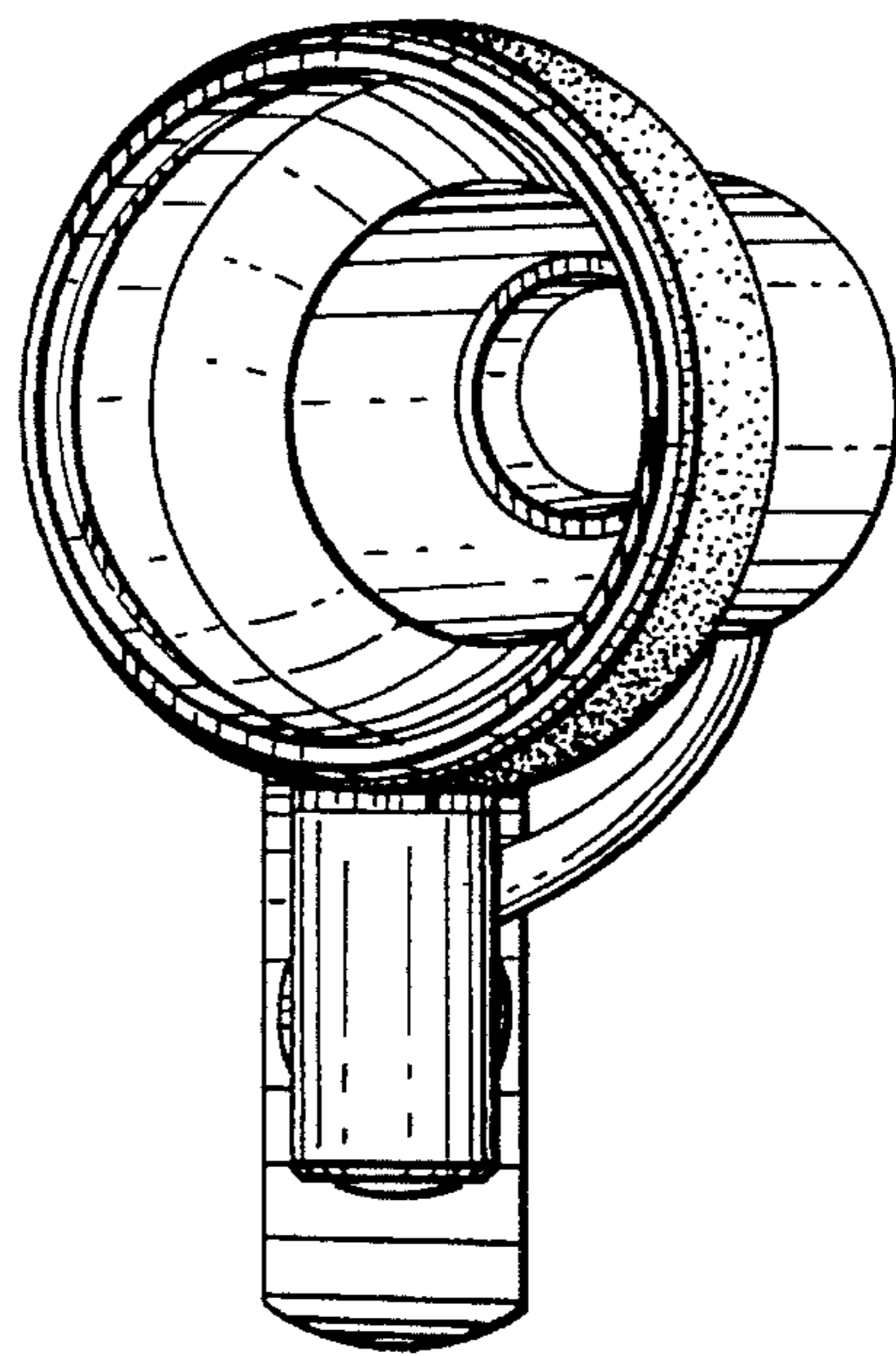


FIG. 6

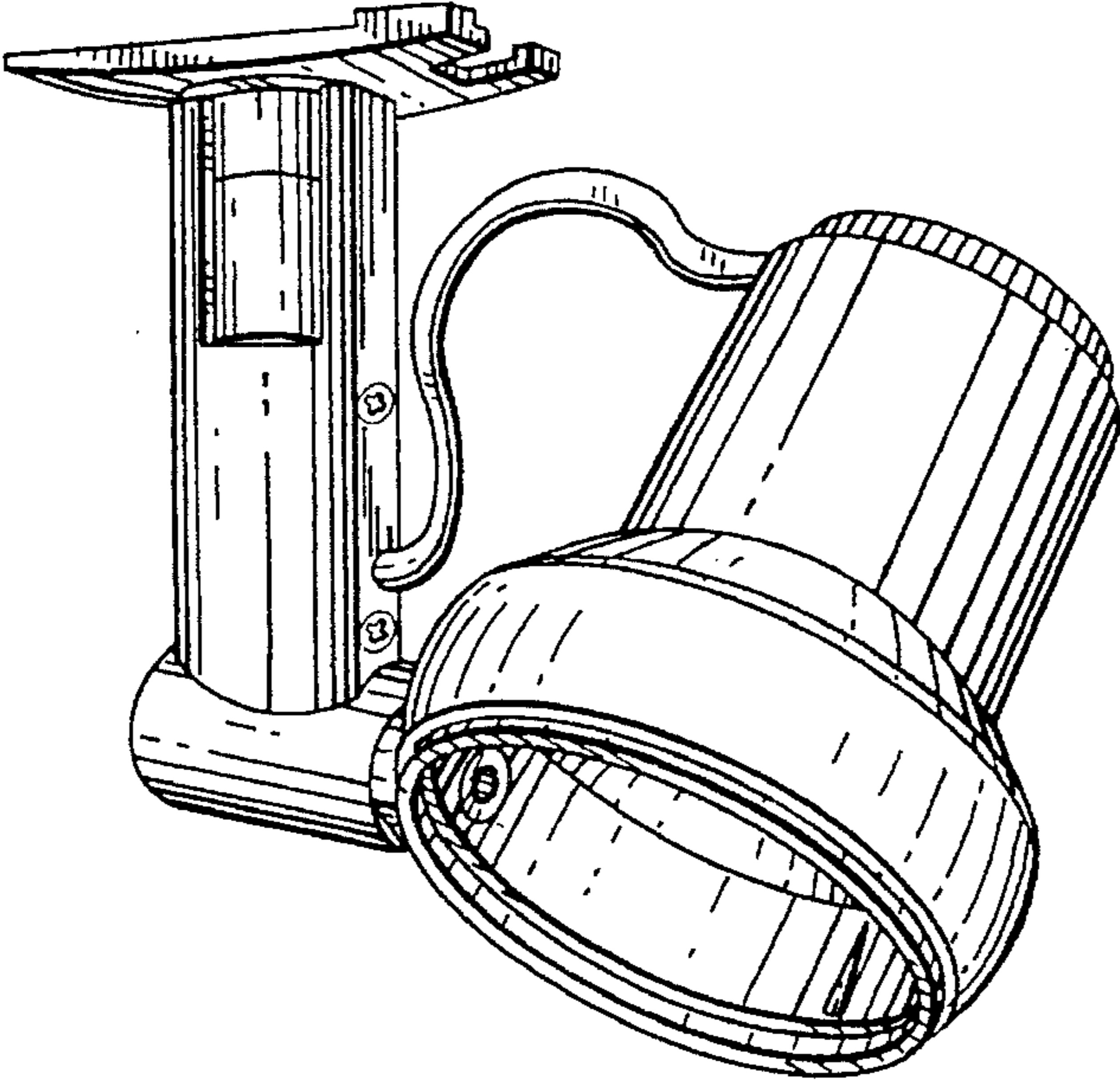


FIG. 7

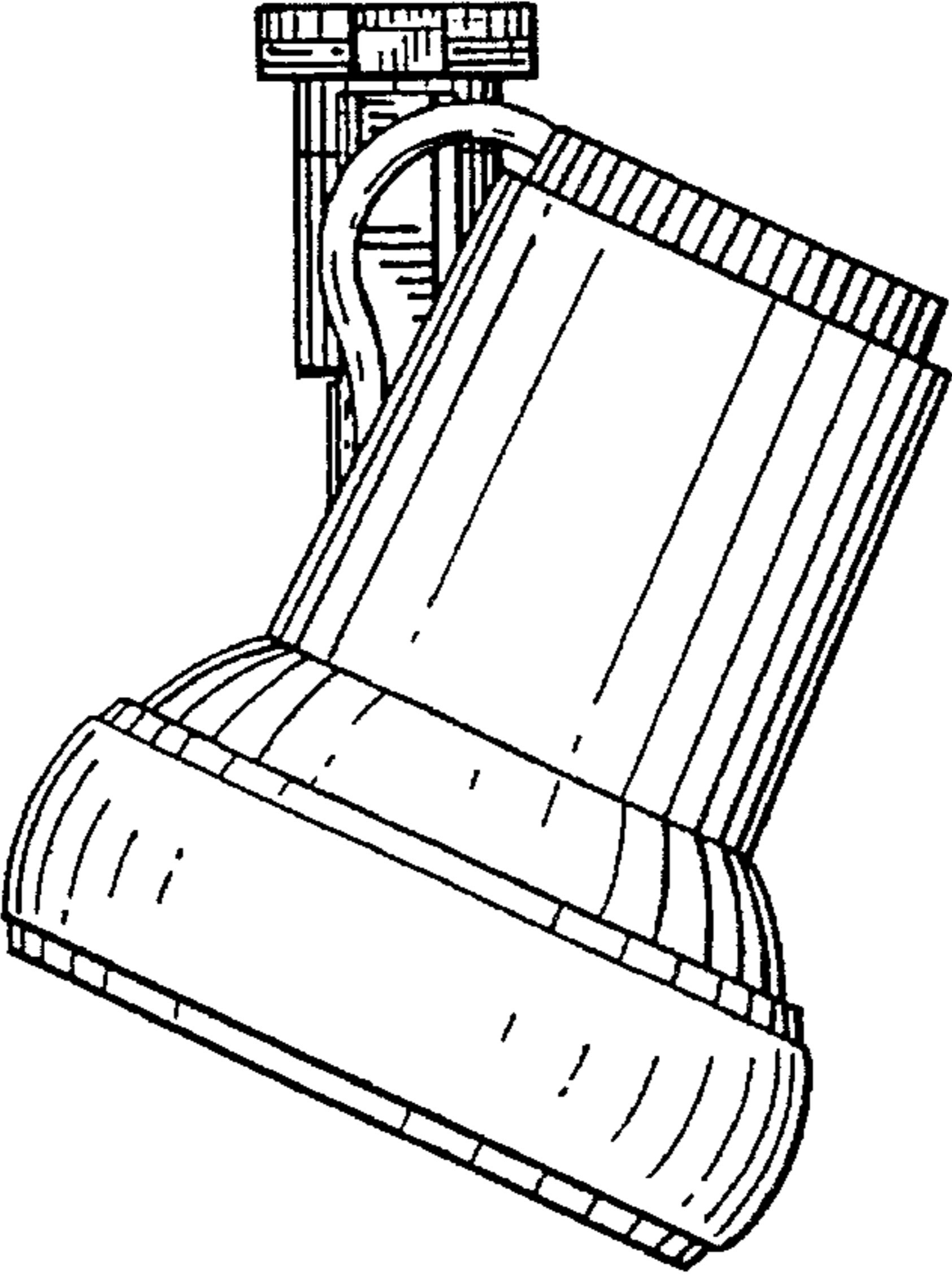


FIG. 8