



US00D370071S

**United States Patent** [19]  
**Sonneman**

[11] **Patent Number: Des. 370,071**

[45] **Date of Patent: \*\*May 21, 1996**

[54] **DOUBLE STEM TABLE LAMP**

[75] Inventor: **Robert A. Sonneman**, Mamaroneck, N.Y.

[73] Assignee: **Sonneman Design Group**, Larchmont, N.Y.

[\*\*] Term: **14 Years**

[21] Appl. No.: **35,970**

[22] Filed: **Mar. 10, 1995**

[52] U.S. Cl. .... **D26/106**; D26/93

[58] Field of Search ..... D26/93, 102-112;  
362/410-414, 806

[56] **References Cited**

**U.S. PATENT DOCUMENTS**

D. 331,637	12/1992	Meck et al. ....	D26/110
D. 337,392	7/1993	Lin .....	D26/106
D. 338,981	8/1993	Meck et al. ....	D26/109
D. 346,672	5/1994	Chan .....	D26/109
D. 360,278	7/1995	Chen .....	D26/109

*Primary Examiner*—Kay H. Chin  
*Attorney, Agent, or Firm*—Grimes & Battersby

[57] **CLAIM**

The ornamental design for a double stem table lamp, as shown and described.

**DESCRIPTION**

FIG. 1 is a front perspective view of the double stem table lamp of the present invention;

FIG. 2 is front view of the double stem table lamp of FIG. 1;

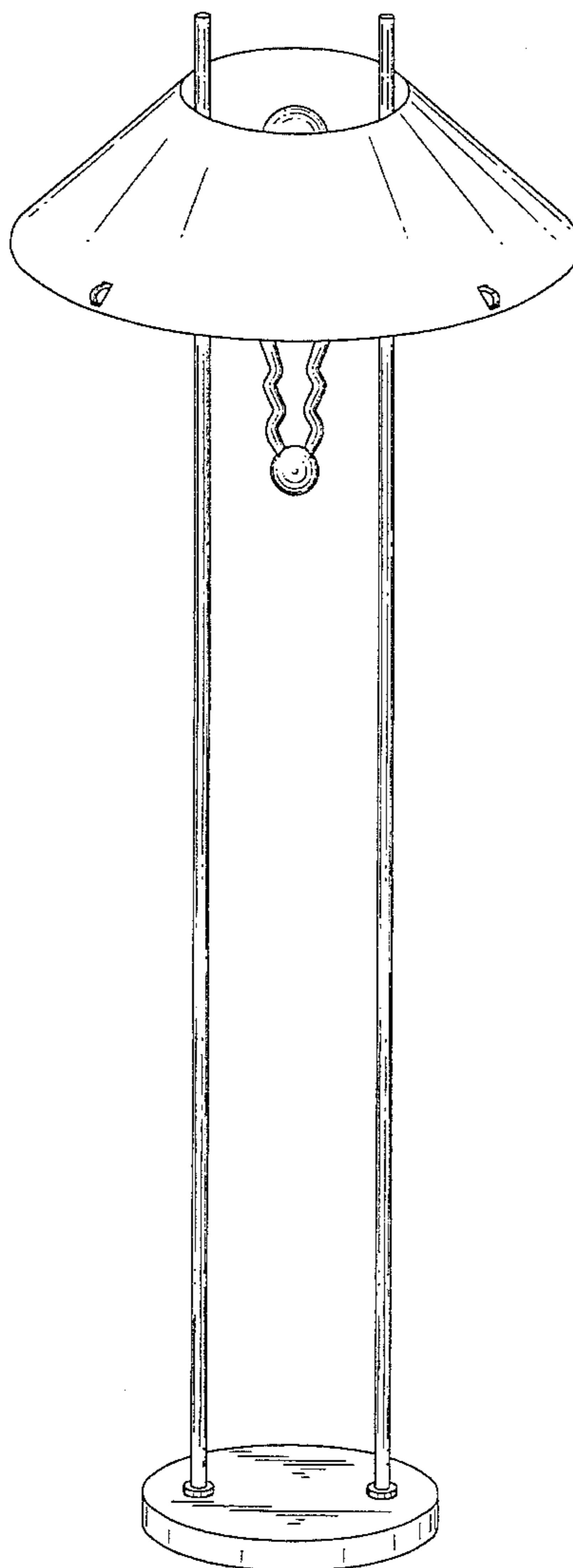
FIG. 3 is a front view of the double stem table lamp of FIG. 1 with the dome in a lowered position;

FIG. 4 is a side view of the double stem table lamp of FIG. 1;

FIG. 5 is a top view of the double stem table lamp of FIG. 1; and,

FIG. 6 is a bottom view of the double stem table lamp of FIG. 1.

**1 Claim, 4 Drawing Sheets**



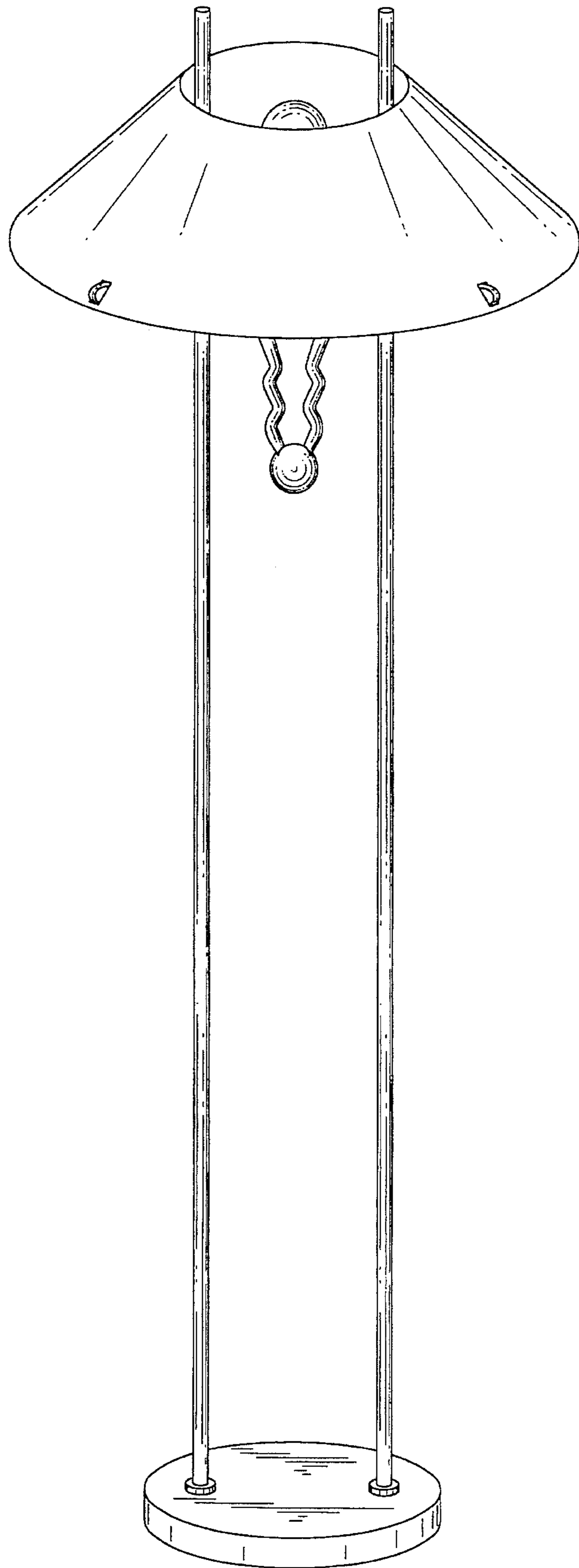


FIG. 1

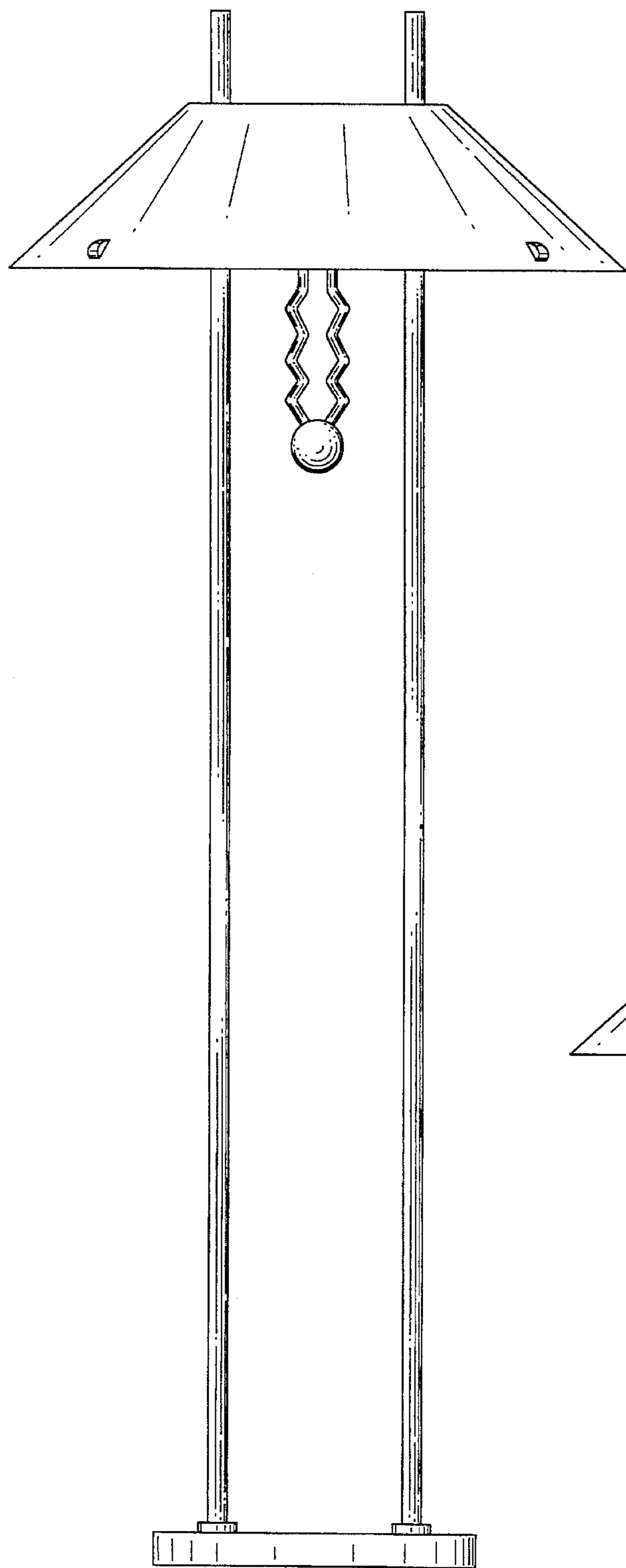


FIG. 2

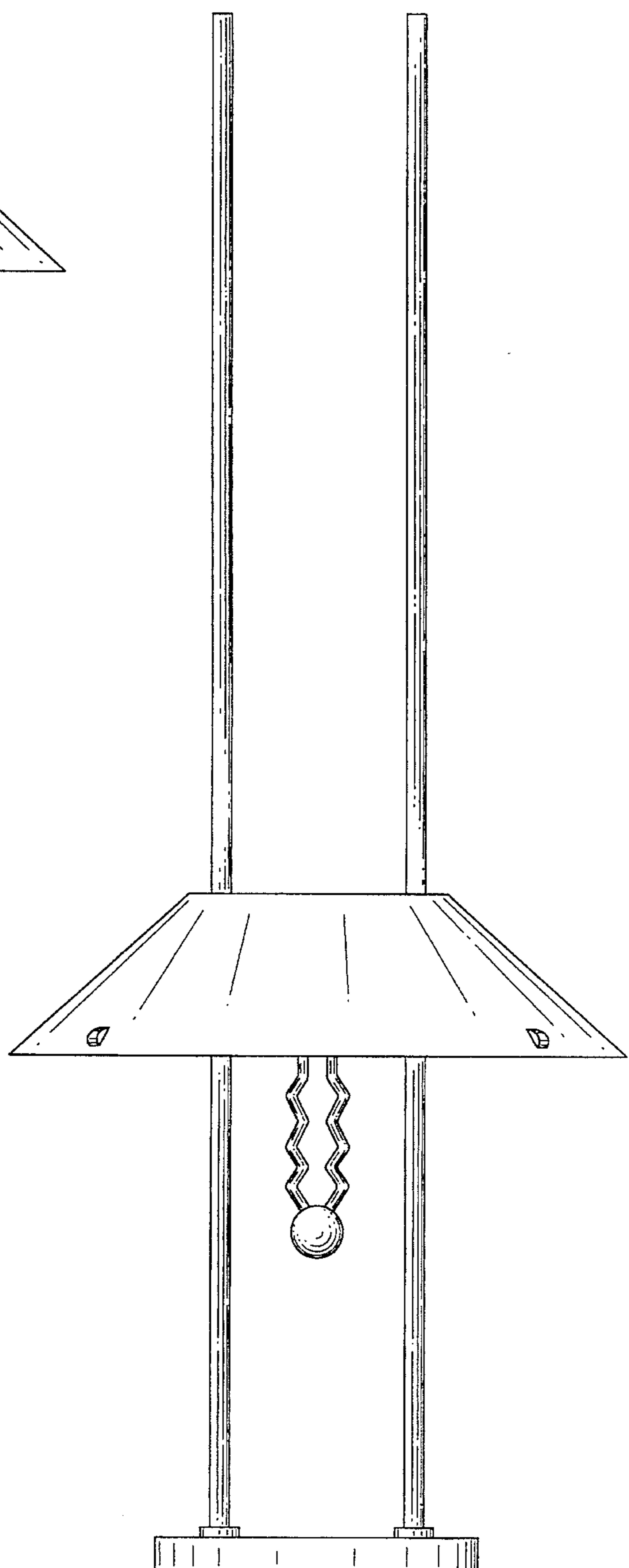


FIG. 3

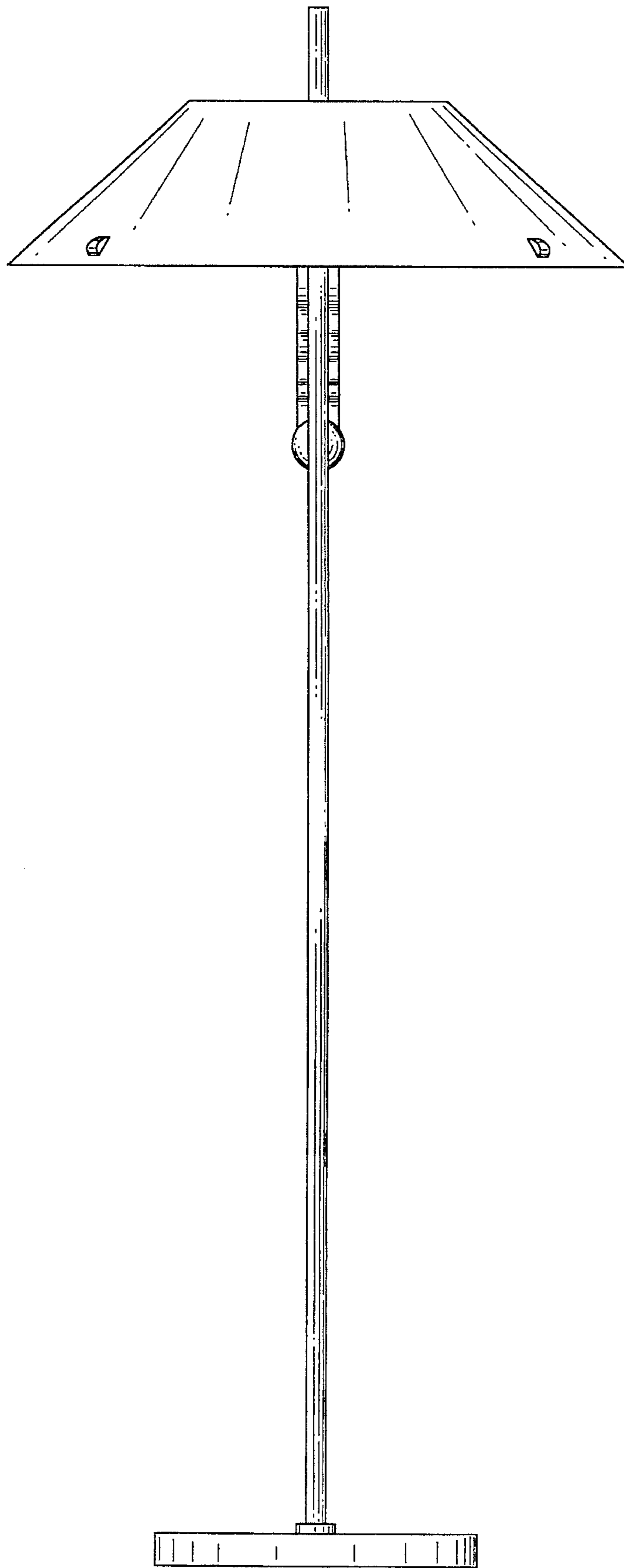


FIG. 4

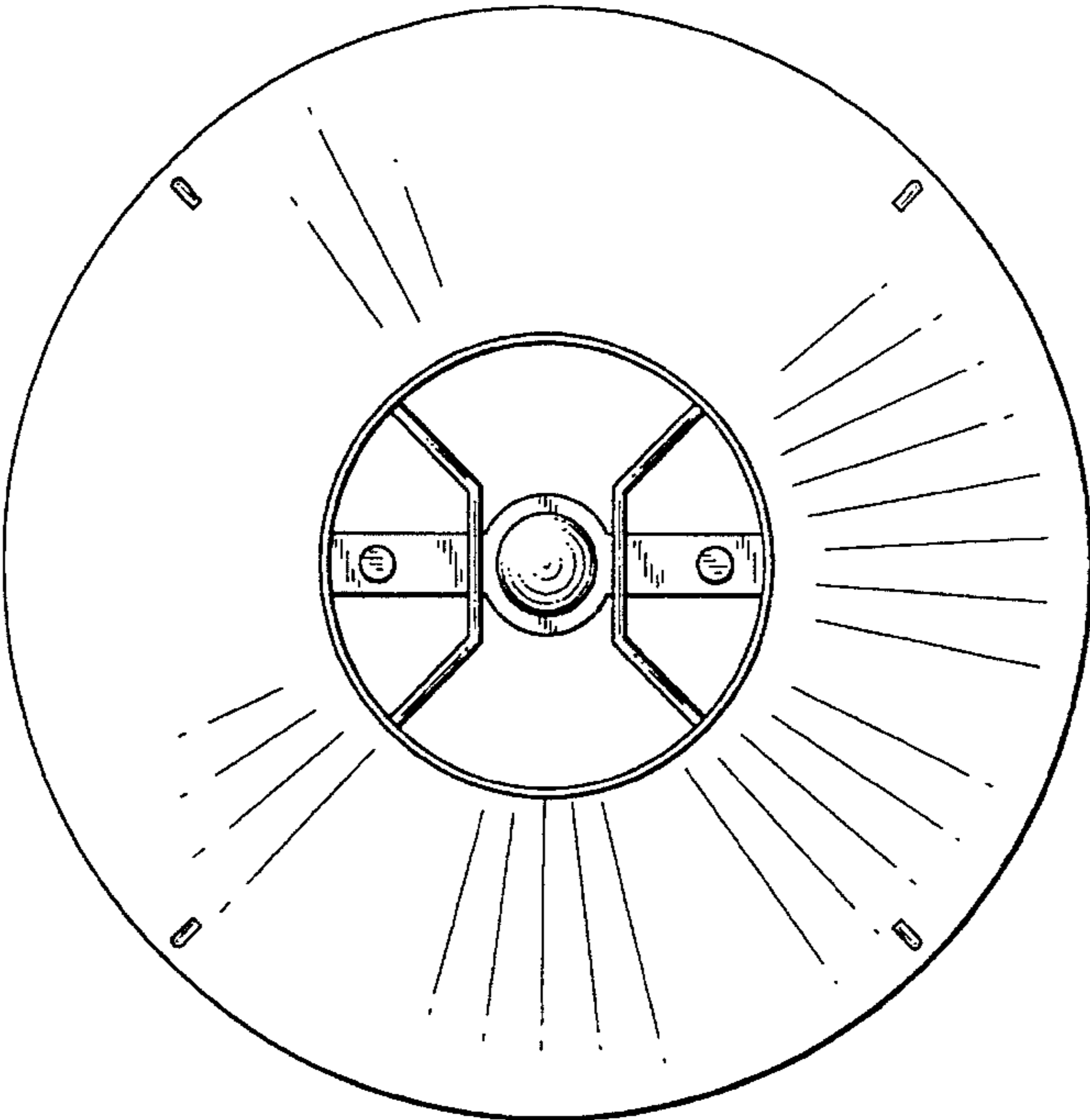


FIG. 5

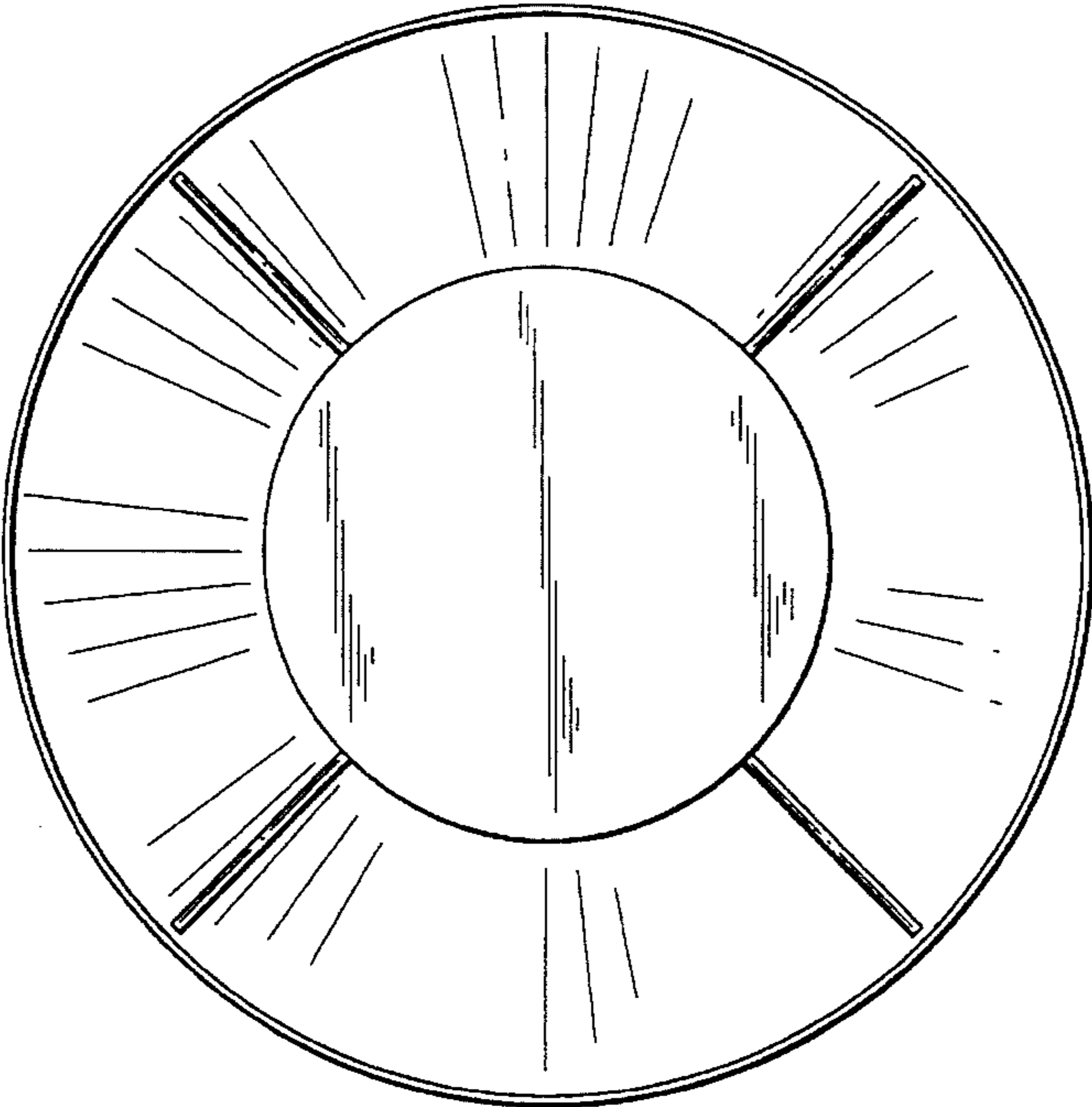


FIG. 6