



US00D370070S

United States Patent [19] Kay

[11] Patent Number: **Des. 370,070**

[45] Date of Patent: ****May 21, 1996**

[54] **ACCENT LIGHT**

[75] Inventor: **Melissa S. Kay**, South Euclid, Ohio

[73] Assignee: **The L. D. Kichler Co.**, Cleveland, Ohio

[**] Term: **14 Years**

[21] Appl. No.: **36,007**

[22] Filed: **Mar. 16, 1995**

[52] U.S. Cl. **D26/67; D26/63**

[58] Field of Search **D26/67, 68, 61, D26/63, 65; 362/153.1, 269, 275, 285, 418, 419, 427, 431, 410, 414**

[56] **References Cited**

U.S. PATENT DOCUMENTS

- D. 277,511 2/1985 Patel D26/68
- D. 333,529 2/1993 Denison et al. D26/68
- 3,362,069 7/1966 Krucki et al. D26/63 X

OTHER PUBLICATIONS

TORO installation guide for 20-Watt Halogen VARIFOCUS® MiniSpot Light, one page. To the best of applicant's knowledge, published prior to Mar. 16, 1994.

Intermatic Incorporated assembly and installation guide for Malibu Dimension II Prismatic Accent Lights, four pages. To the best of applicant's knowledge, published prior to Mar. 16, 1994.

Intermatic Incorporated product brochure for low voltage landscape lighting, five pages, Jul., 1994.

Hadco products catalog, nine pages, copyright date 1992.

Home Lighting & Accessories, Aug. 1993, p. 54, Outdoor Floodlight.

Primary Examiner—Susan J. Lucas

Attorney, Agent, or Firm—Watts, Hoffmann, Fisher & Heinke

[57] **CLAIM**

The ornamental design for an accent light, as shown and described.

DESCRIPTION

FIG. 1 is a perspective view of an accent light showing my new design;

FIG. 2 is a left side elevational view thereof;

FIG. 3 is a right side elevational view thereof;

FIG. 4 is a front elevational view thereof;

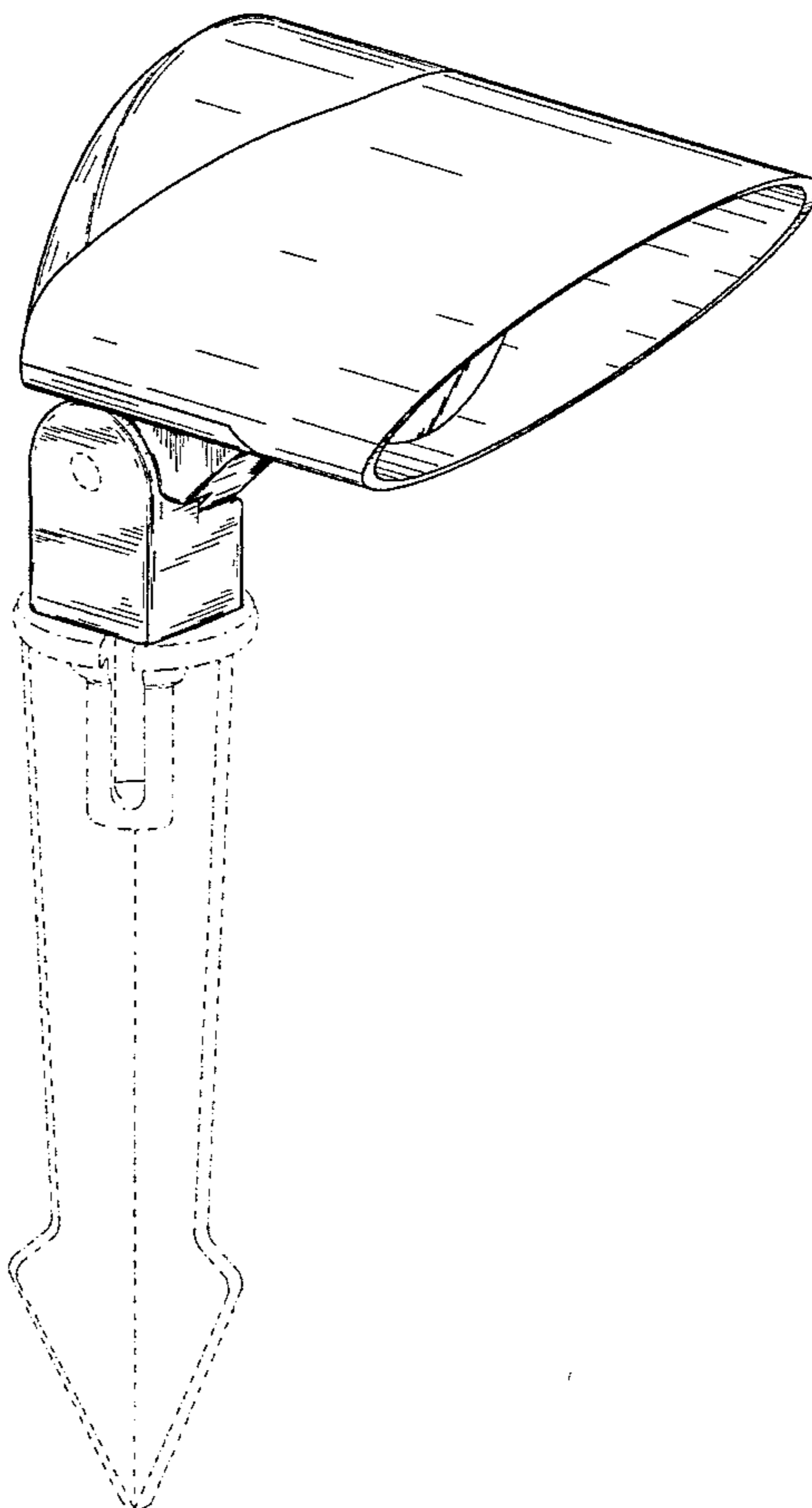
FIG. 5 is a rear elevational view thereof;

FIG. 6 is a top plan view thereof; and,

FIG. 7 is a bottom plan view thereof.

The broken lines are shown for illustrative purposes only and form no part of the claimed design.

1 Claim, 5 Drawing Sheets



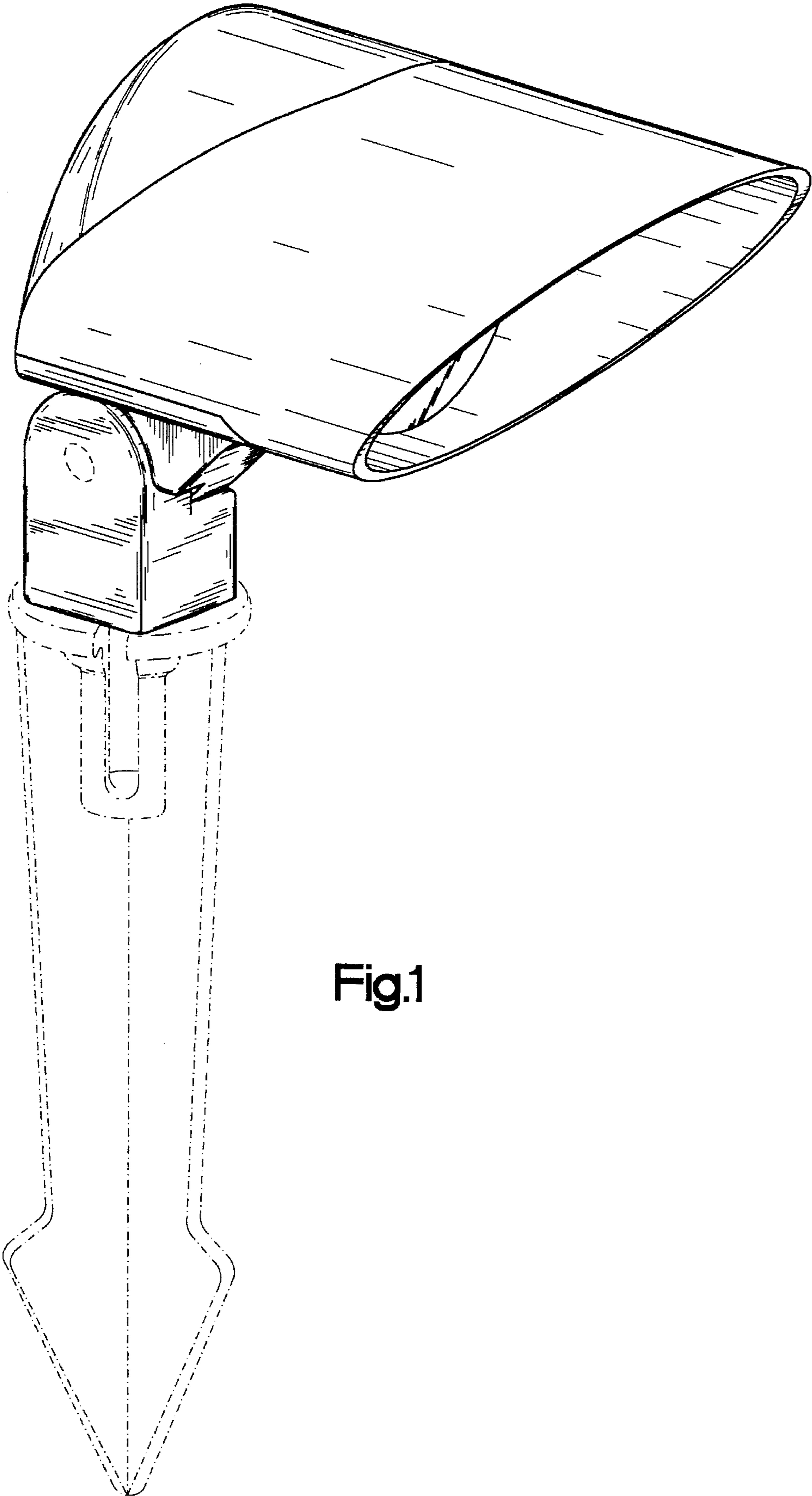


Fig.1

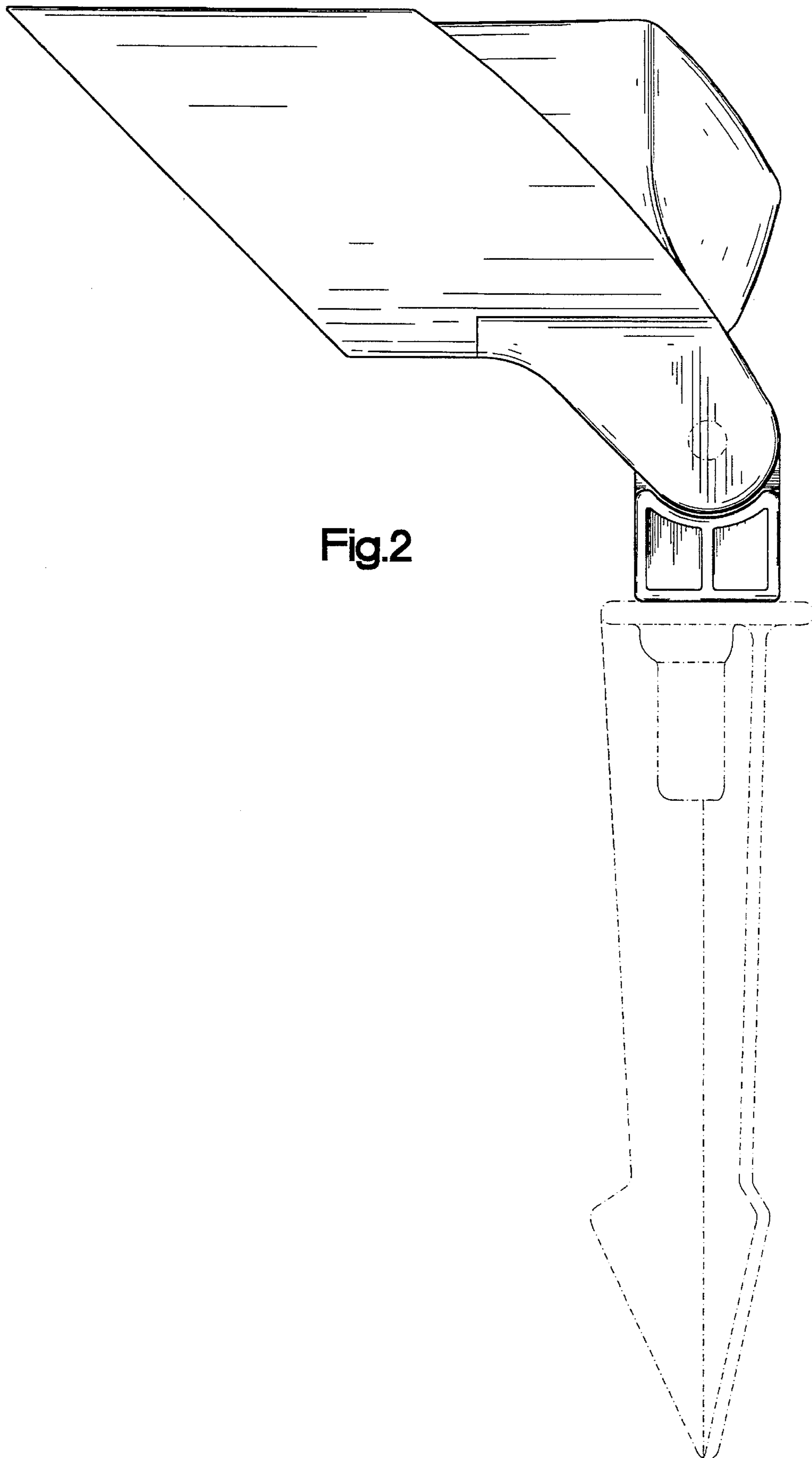
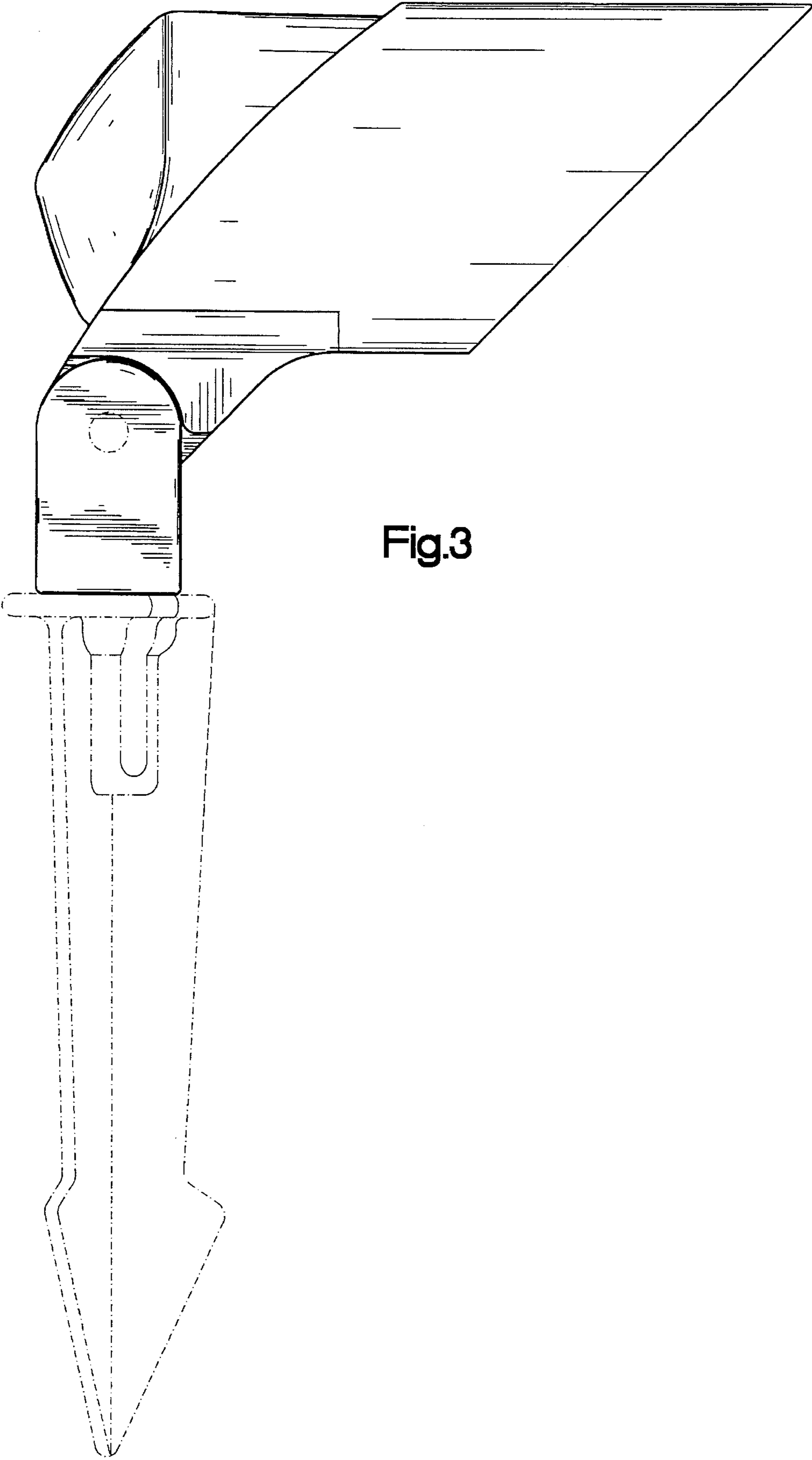
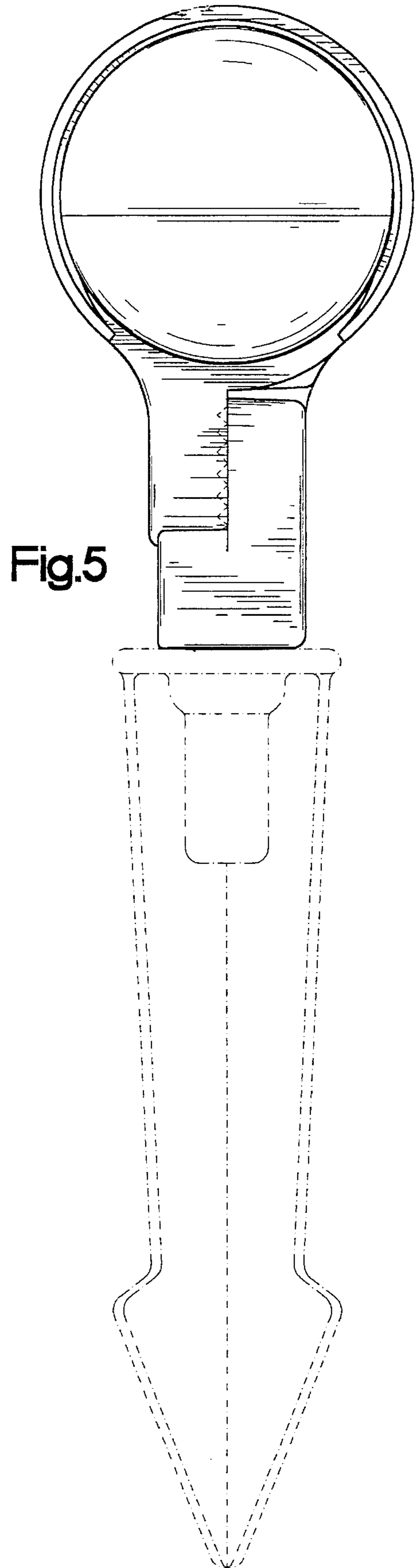
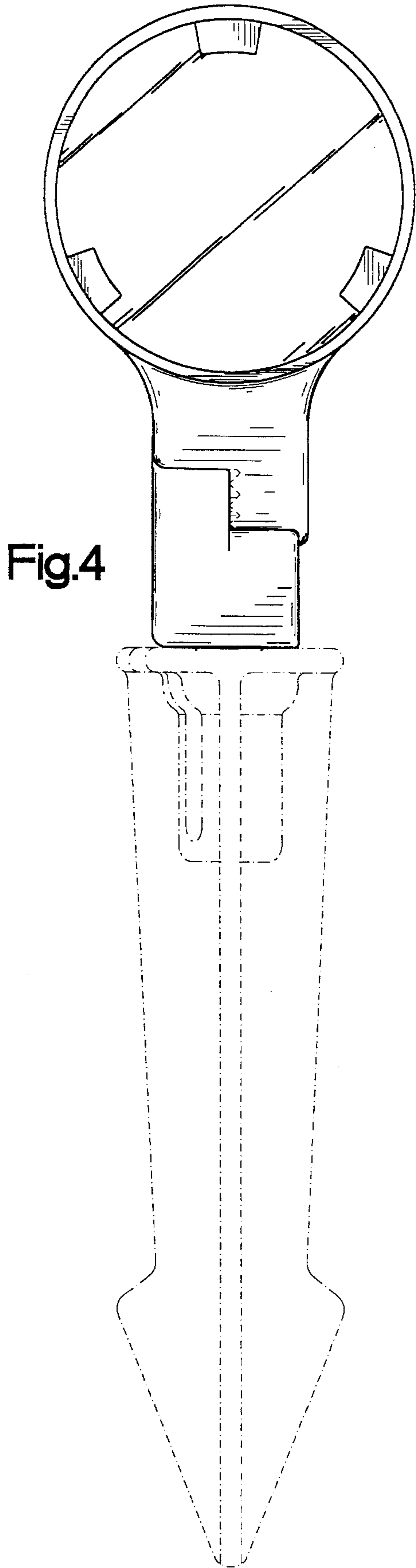


Fig.2





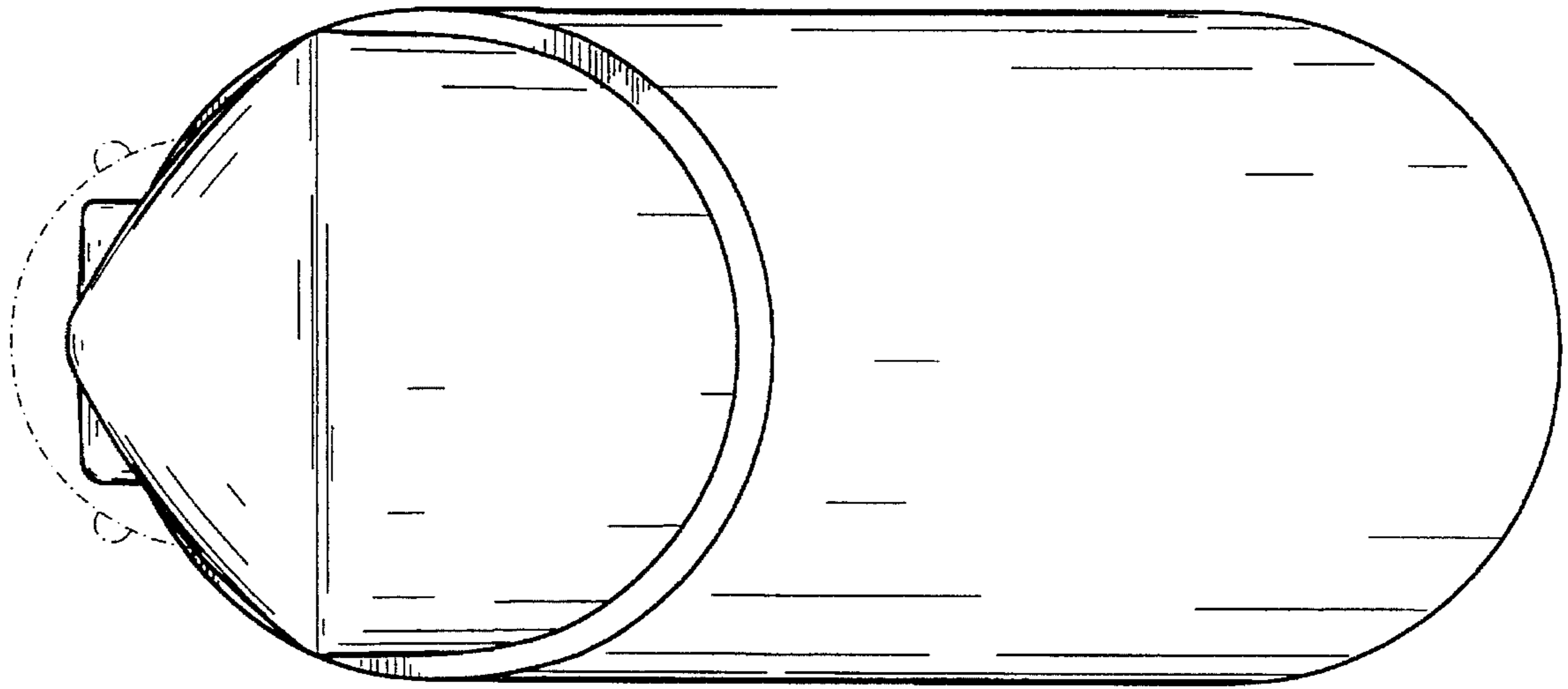


Fig.6

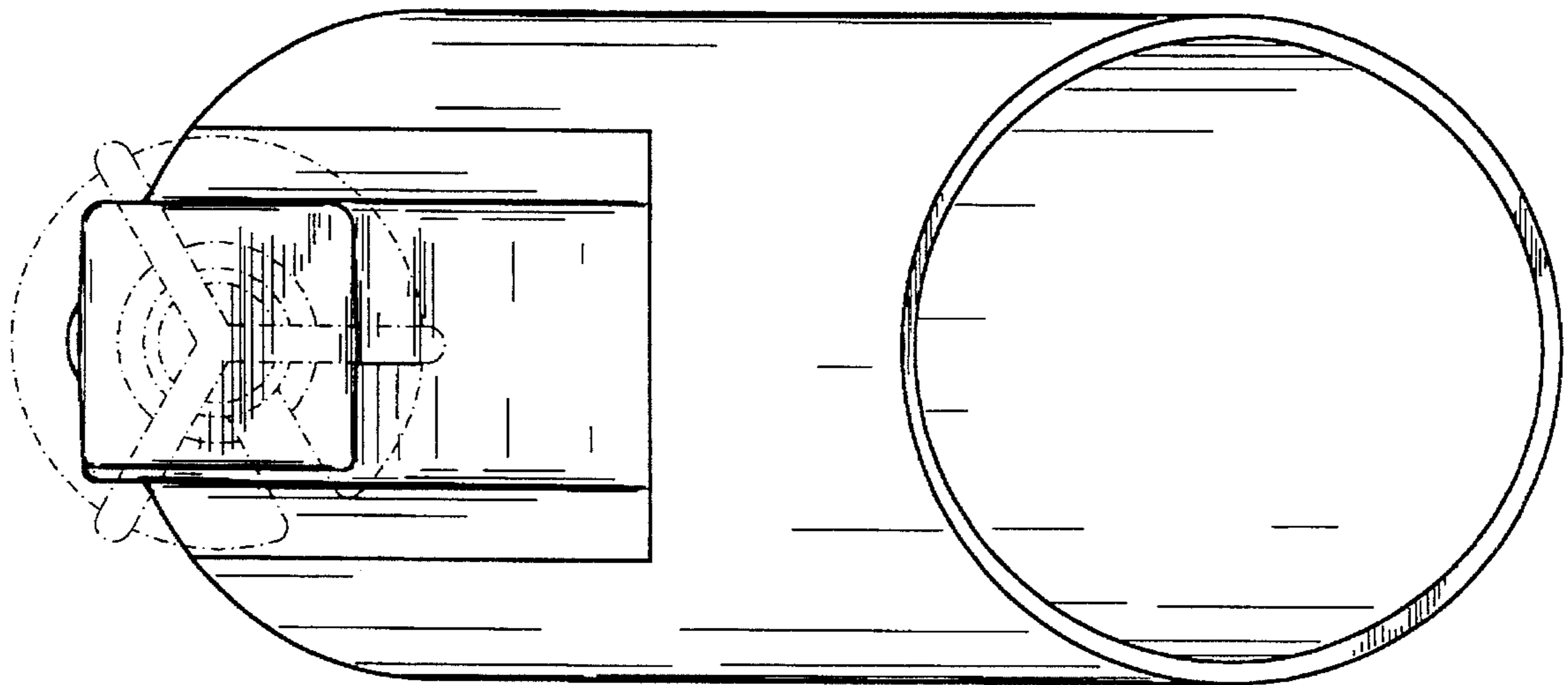


Fig.7