



US00D370065S

United States Patent [19]

Squillante et al.

[11] Patent Number: **Des. 370,065**

[45] Date of Patent: ****May 21, 1996**

[54] **HAND HELD BREATH ANALYZER HOUSING**

[75] Inventors: **Peter L. Squillante**, Central Islip; **Alan J. Squillante**, Kings Park, both of N.Y.

[73] Assignee: **Alcohol Sensors International, Ltd.**, Islandia, N.Y.

[**] Term: **14 Years**

[21] Appl. No.: **32,050**

[22] Filed: **Dec. 13, 1994**

[52] U.S. Cl. **D24/169; D24/110**

[58] Field of Search **D24/164, 165, D24/133, 107, 110.5, 110, 189; 128/719, 724, 725; 422/84, 93**

[56] **References Cited**

U.S. PATENT DOCUMENTS

D. 351,468 10/1994 Ponsy D24/169

4,649,027 3/1987 Talbot 422/84

4,996,161 2/1991 Conners et al. 422/84 X

5,291,898 3/1994 Wolf 422/84 X

5,426,415 6/1995 Prachar et al. 128/719 X

Primary Examiner—Louis S. Zarfes

Assistant Examiner—I. Simmons

Attorney, Agent, or Firm—Schweitzer Cornman & Gross

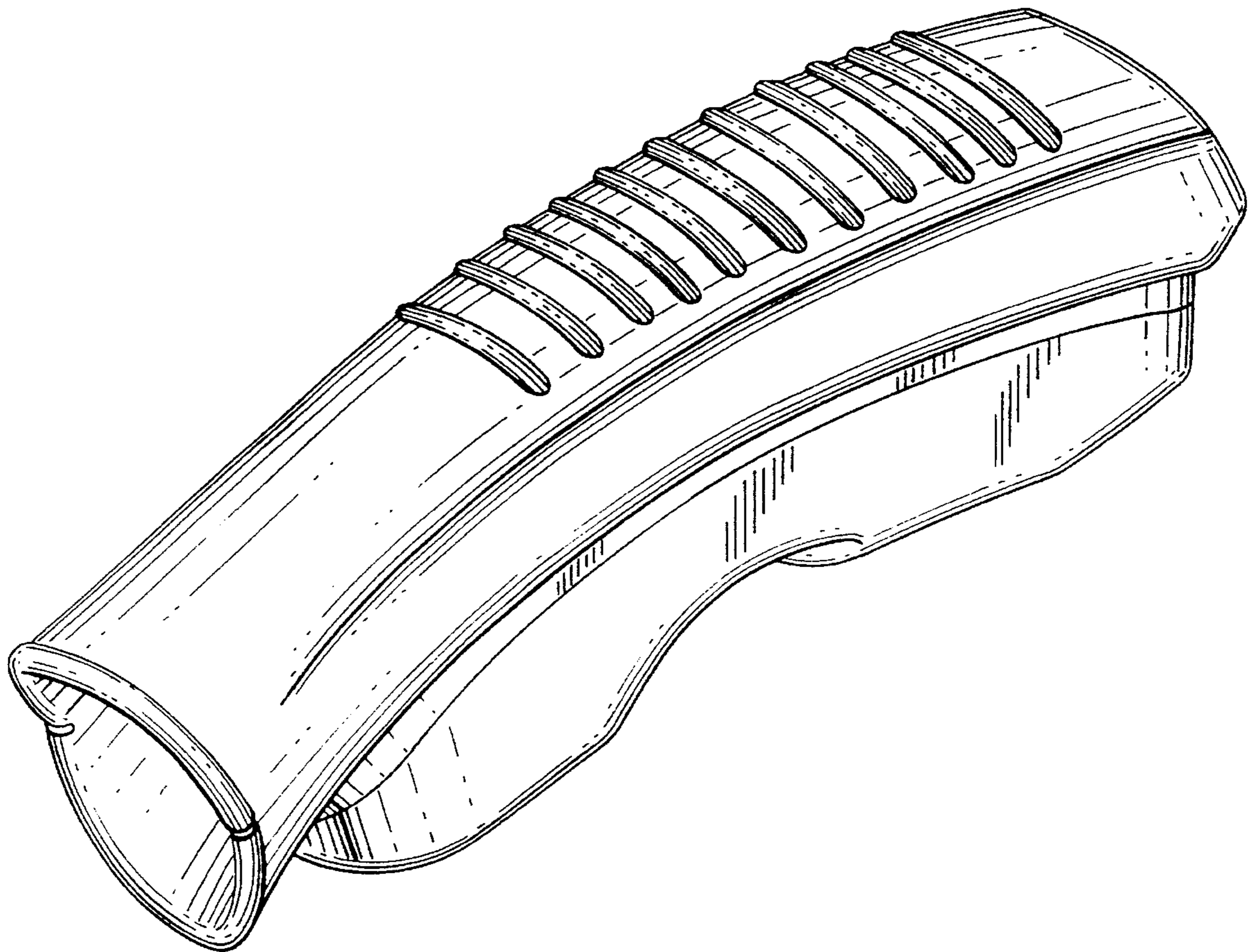
[57] **CLAIM**

The ornamental design for a hand held breath analyzer housing, as shown and described.

DESCRIPTION

FIG. 1 is a front, right side perspective view of our design; FIG. 2 is a top plan view thereof; FIG. 3 is a left side elevation view thereof; FIG. 4 is a front elevation view thereof; FIG. 5 is a rear elevation view thereof; and, FIG. 6 is a bottom plan view thereof.

1 Claim, 3 Drawing Sheets



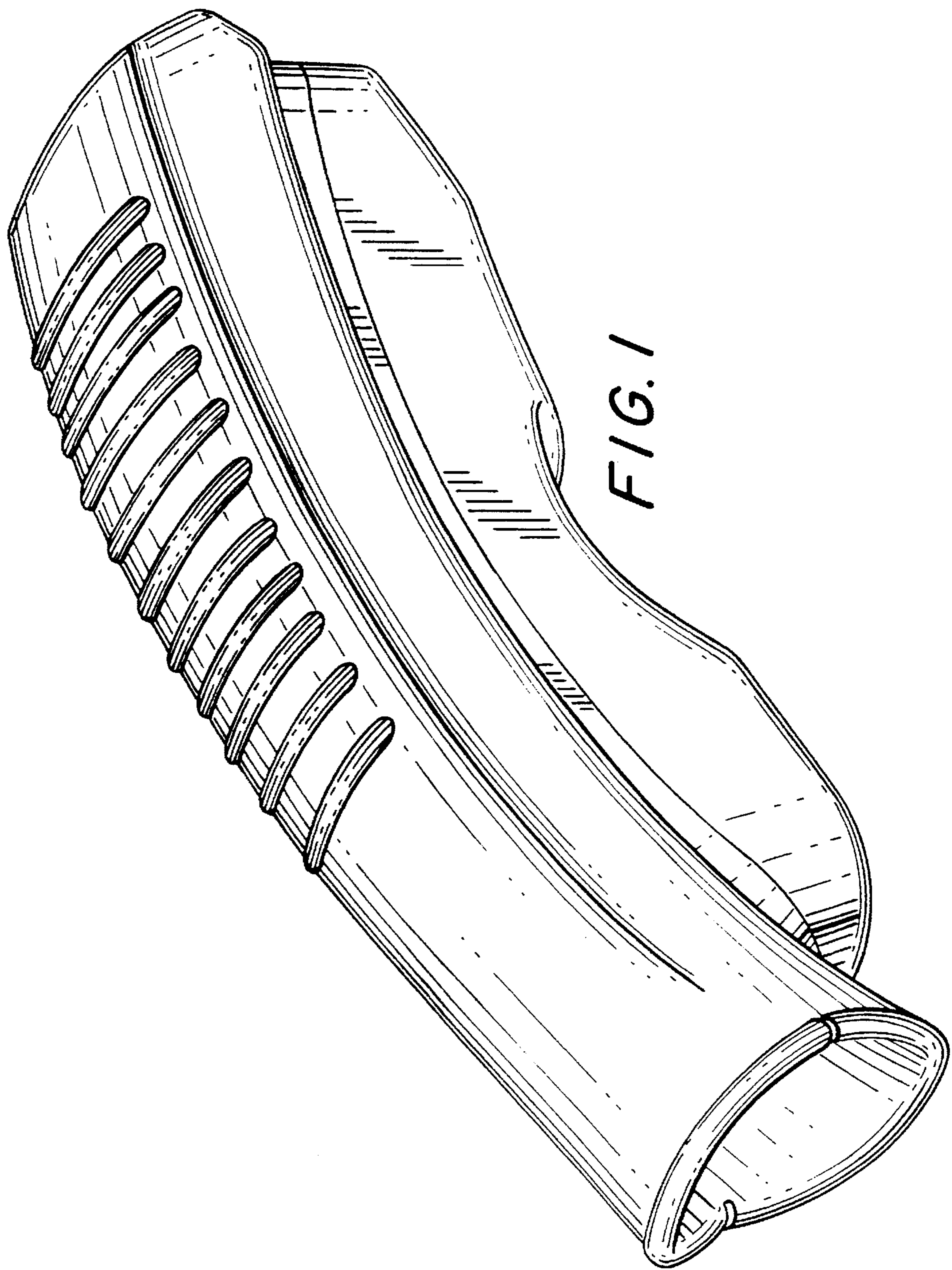


FIG. 2

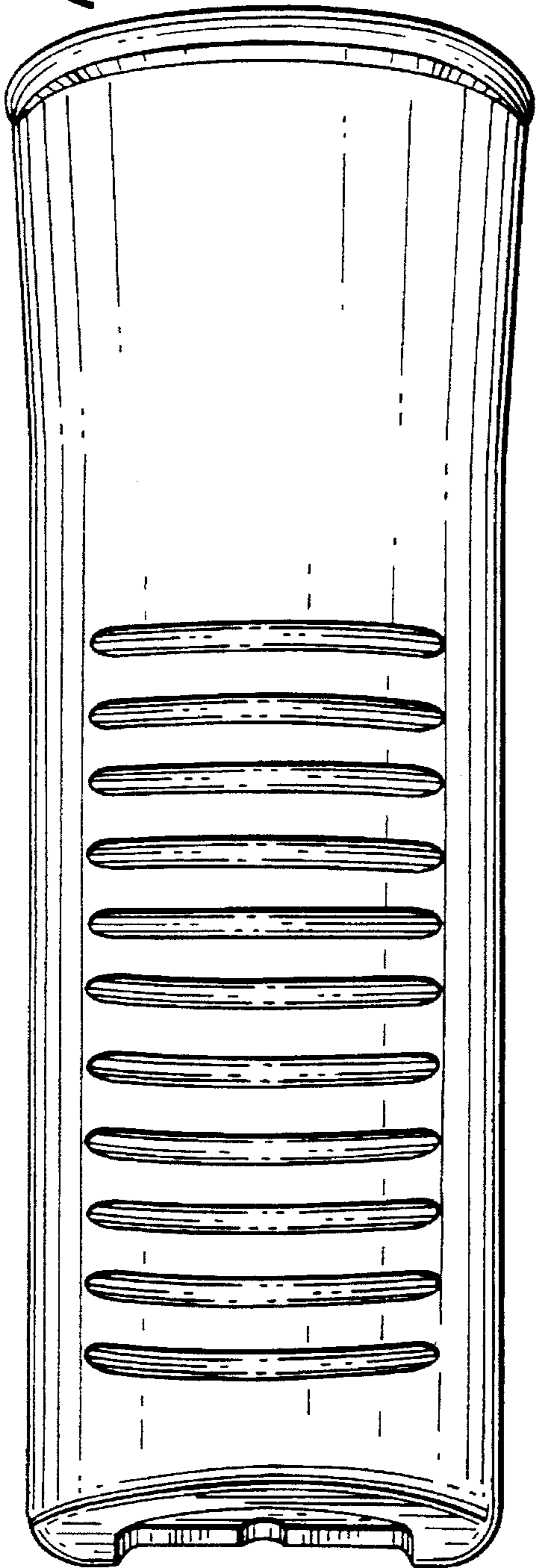
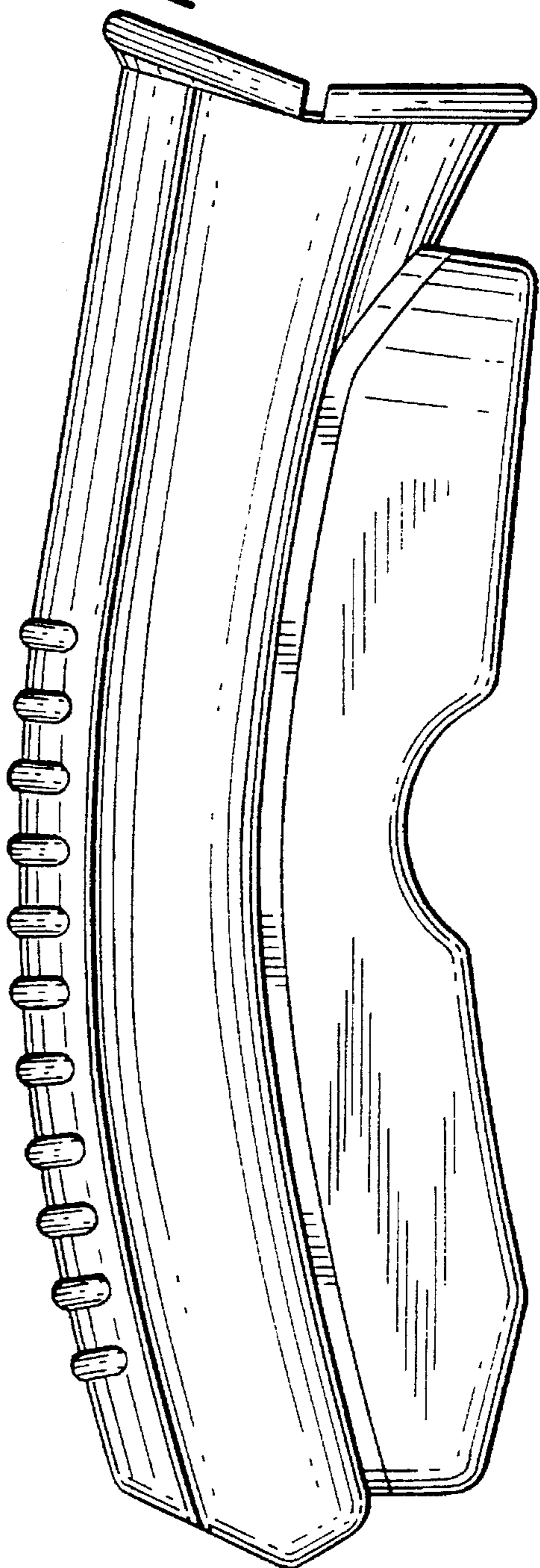


FIG. 3



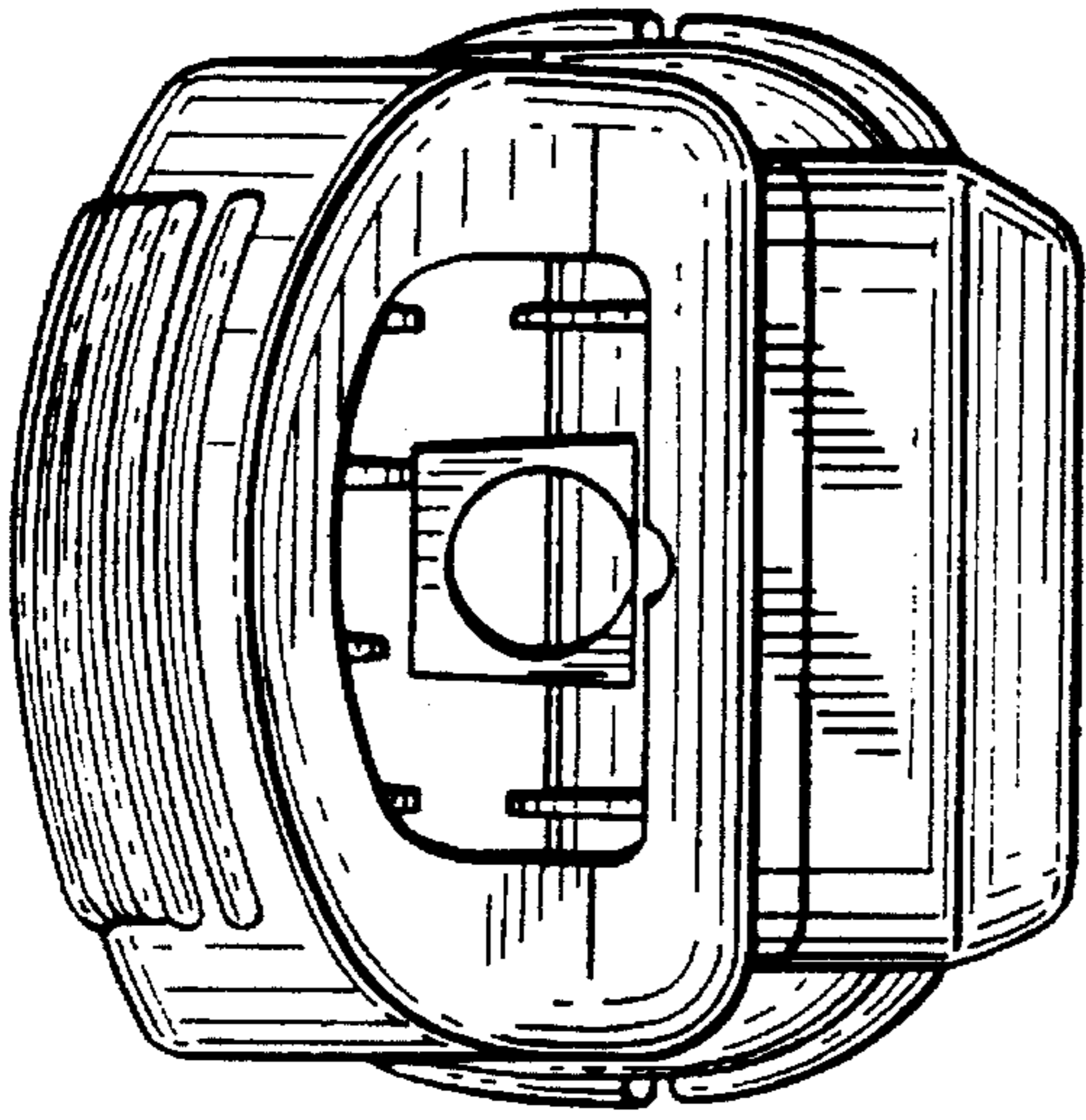


FIG. 5

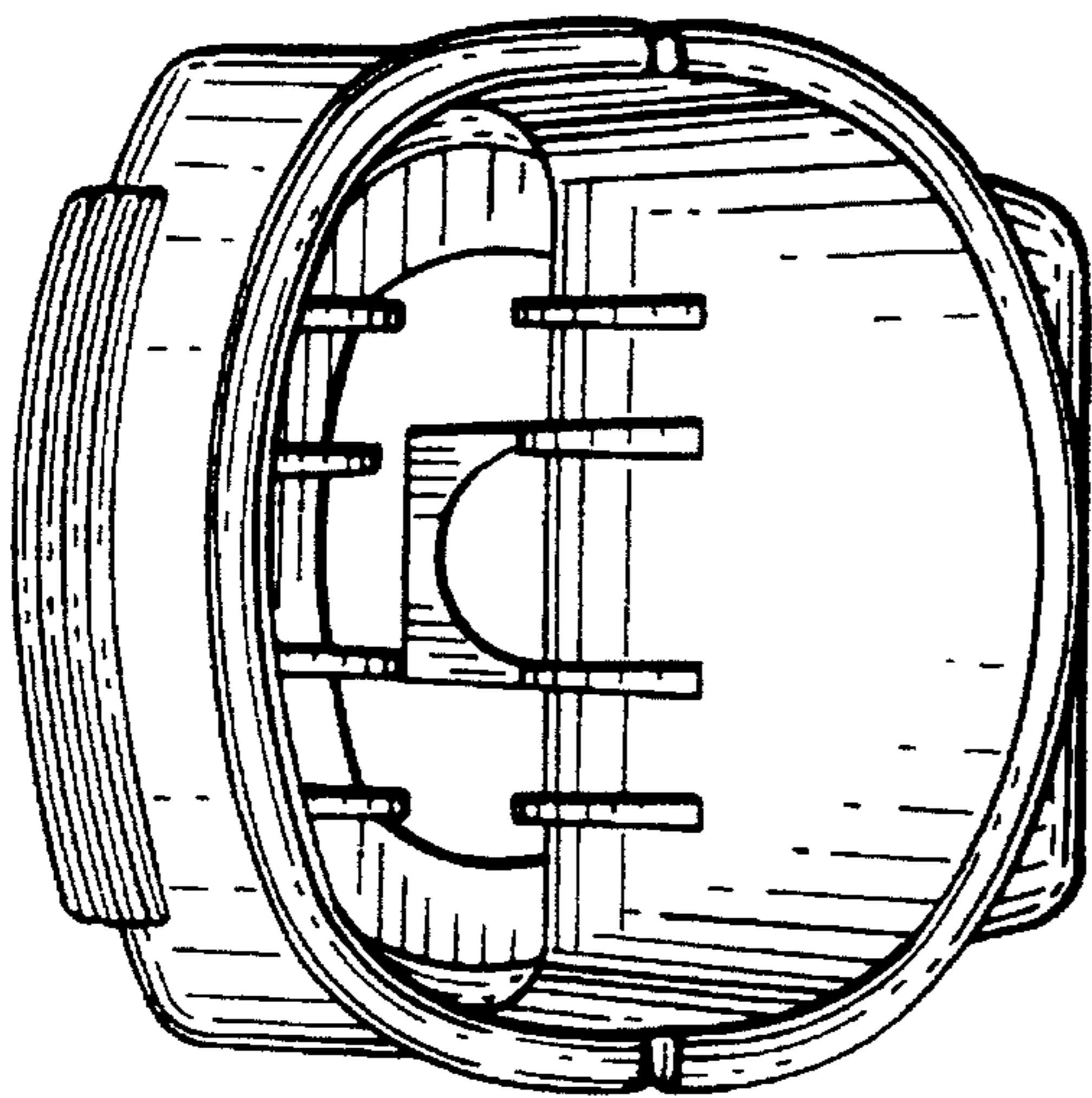


FIG. 4

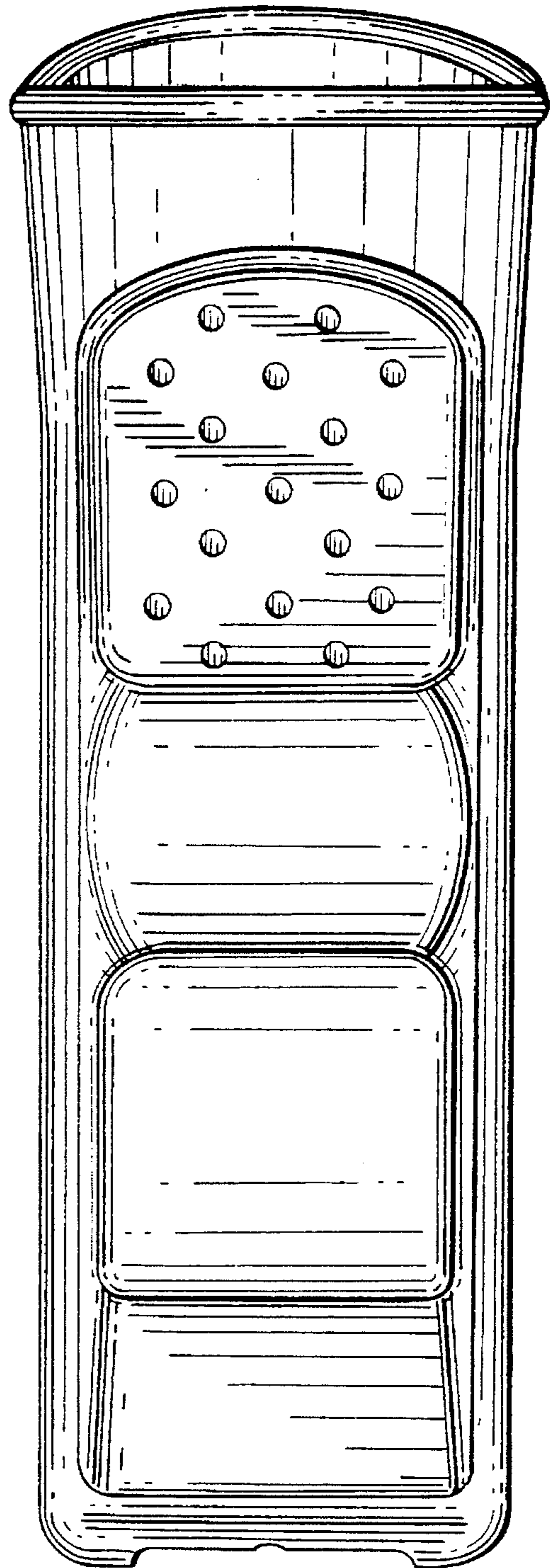


FIG. 6