



US00D370062S

# United States Patent [19]

Tucker

[11] Patent Number: **Des. 370,062**

[45] Date of Patent: **\*\*May 21, 1996**

[54] **COMBINED I.V. NEEDLE PROTECTOR AND RECAPPER**

[76] Inventor: **Annabelle D. Tucker**, 4480 Sherman Oaks Cir., Sherman Oaks, Calif. 91403

[\*\*] Term: **14 Years**

[21] Appl. No.: **2,706**

[22] Filed: **Dec. 17, 1992**

### Related U.S. Application Data

[63] Continuation-in-part of Ser. No. 556,204, Jul. 23, 1990, abandoned, and a continuation-in-part of Ser. No. 556,205, Jul. 23, 1990, abandoned, and a continuation-in-part of Ser. No. 695,535, May 3, 1991, Pat. No. 5,171,224.

[52] U.S. Cl. .... **D24/130**

[58] Field of Search ..... D24/130, 112; 604/110, 197, 198, 199, 263, 192

### [56] References Cited

#### U.S. PATENT DOCUMENTS

D. 248,491 7/1978 Reis ..... D24/130

D. 324,569	3/1992	Seifert et al. ....	D24/130
D. 332,664	1/1993	Sincock .....	D24/130
4,921,199	5/1990	Villaveces .....	D24/130 X
4,966,582	10/1990	Sit et al. ....	D24/130 X
4,979,945	12/1990	Wade et al. ....	D24/130 X
5,171,224	12/1992	Tucker .....	604/110

*Primary Examiner*—Louis S. Zarfes

*Assistant Examiner*—I. Simmons

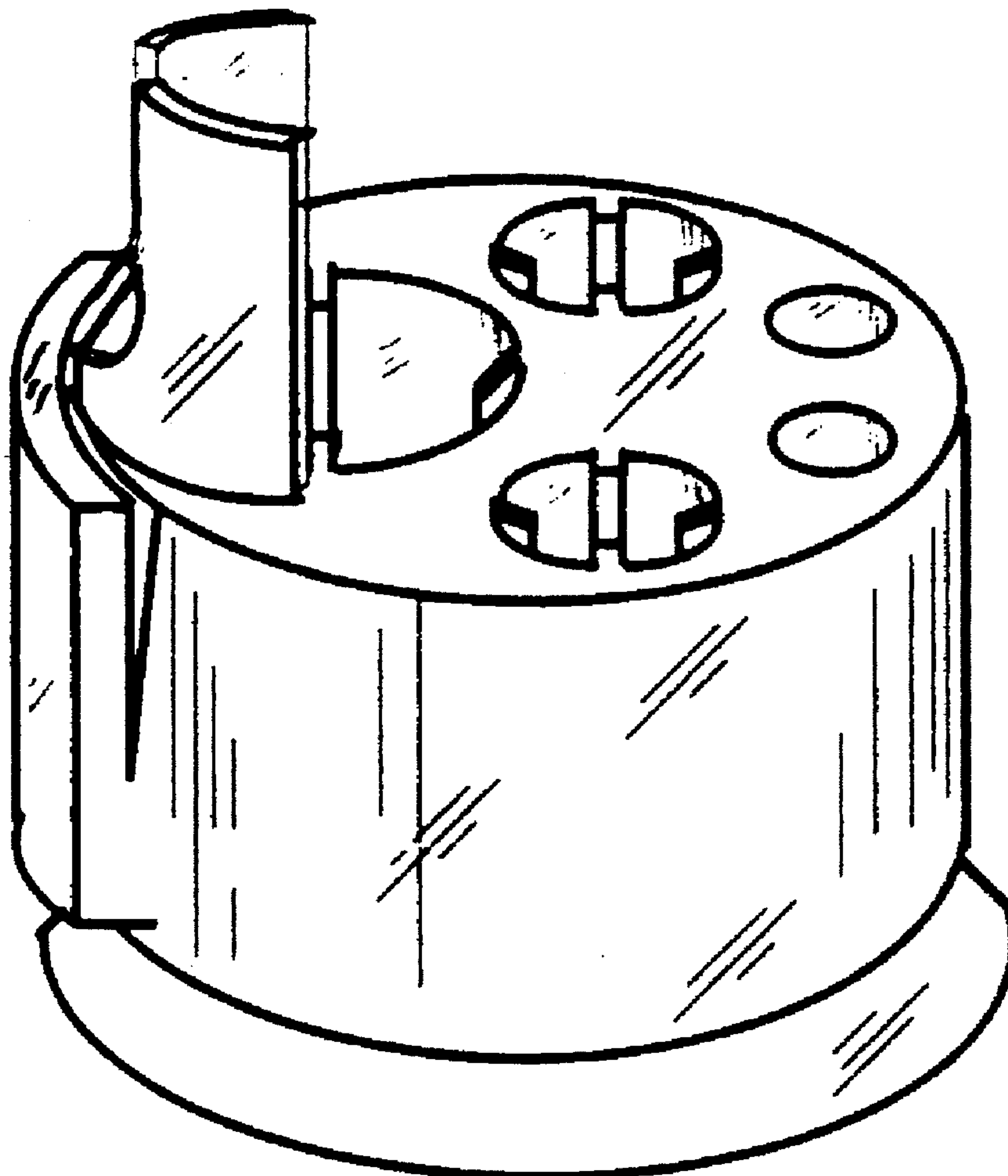
### [57] CLAIM

The ornamental design for a combined I.V. needle protector and recapper, as shown and described.

### DESCRIPTION

FIG. 1 is a perspective view of a combined I.V. needle protector and recapper showing my new design; FIG. 2 is a bottom plan view thereof; FIG. 3 is a top plan view thereof; FIG. 4 is a rear elevation view thereof; and, FIG. 5 is a cross-sectional view thereof, taken along the line 5—5 of FIG. 3.

1 Claim, 1 Drawing Sheet



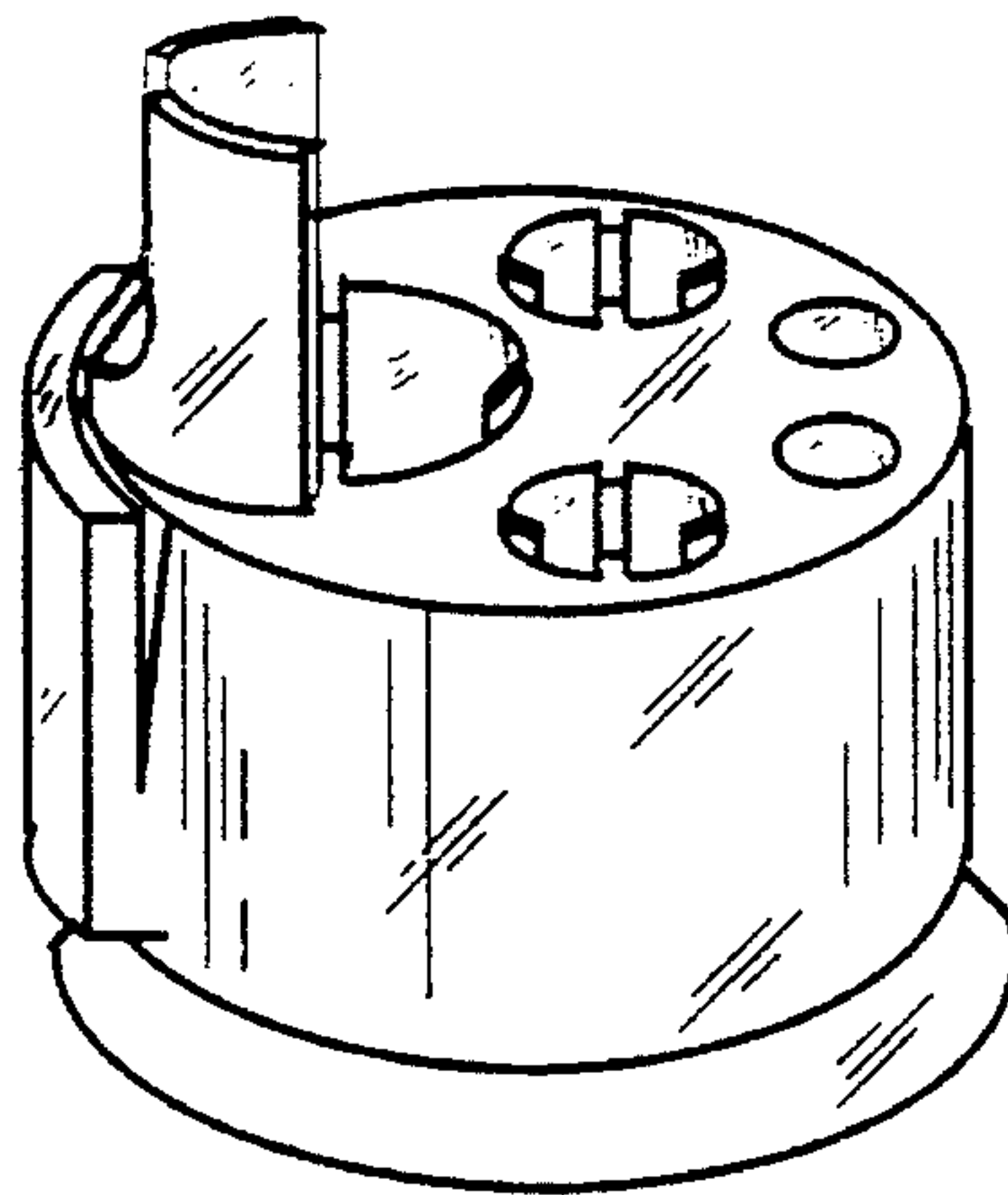


FIG. 1

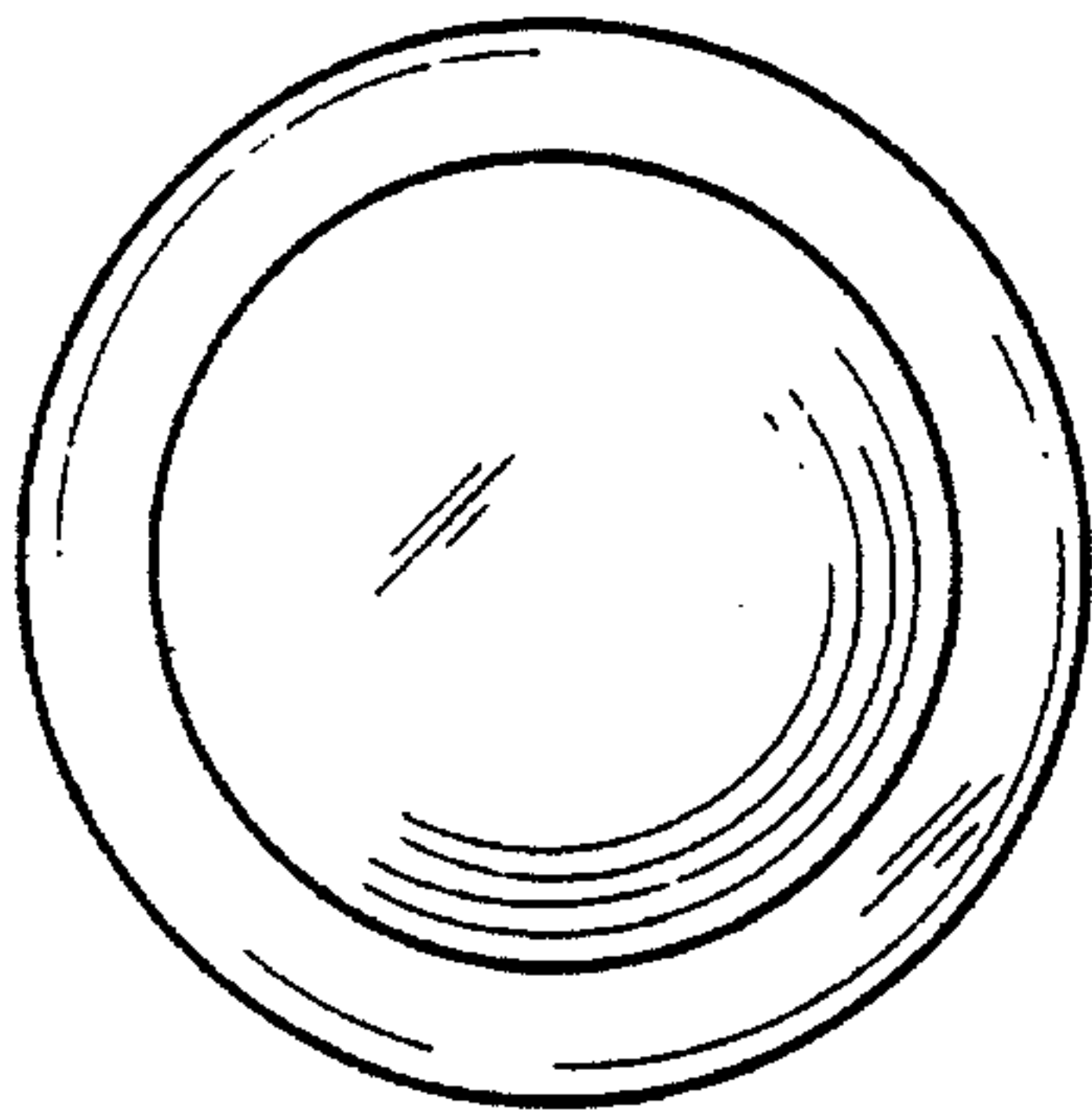


FIG. 2

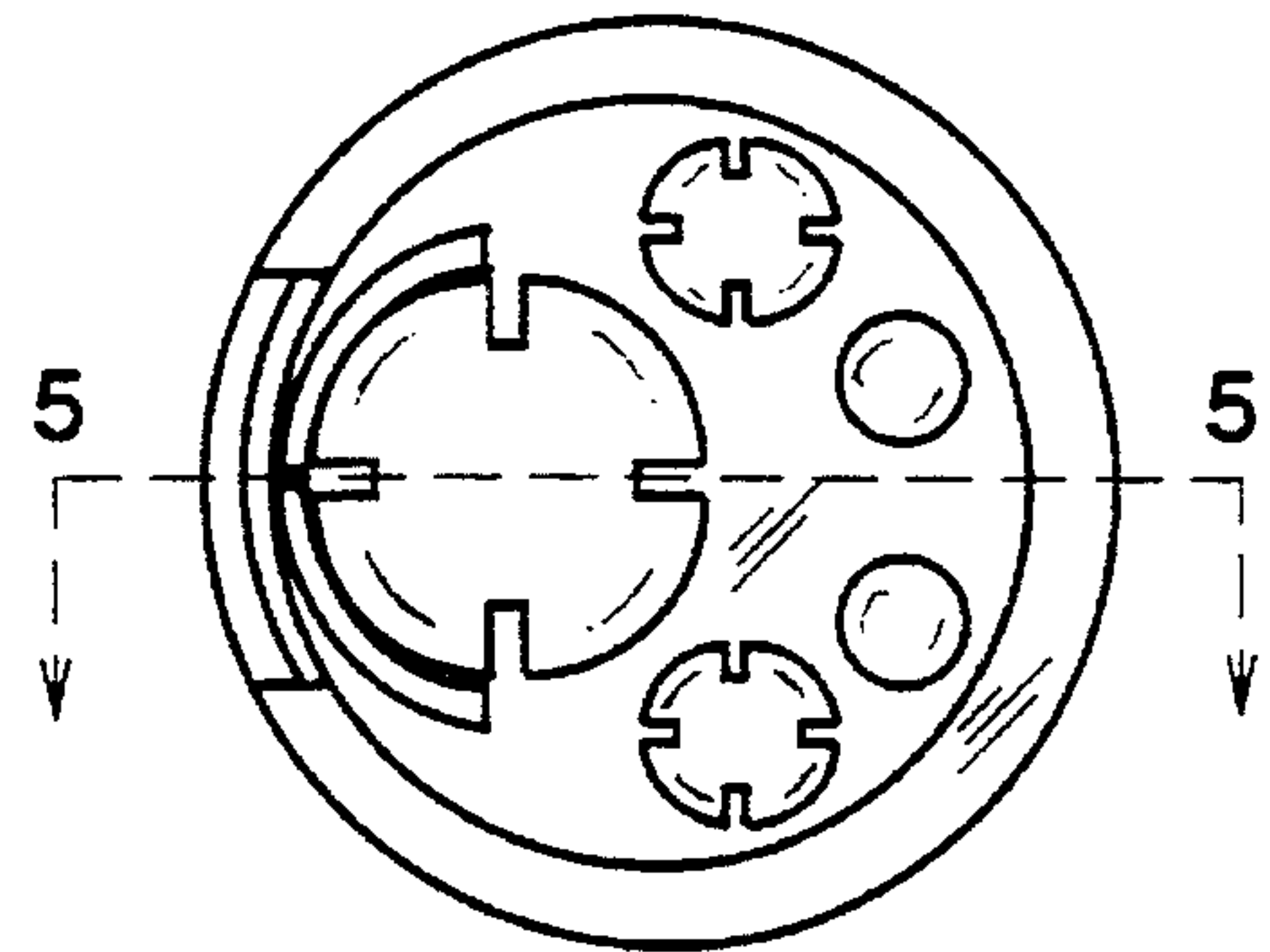


FIG. 3

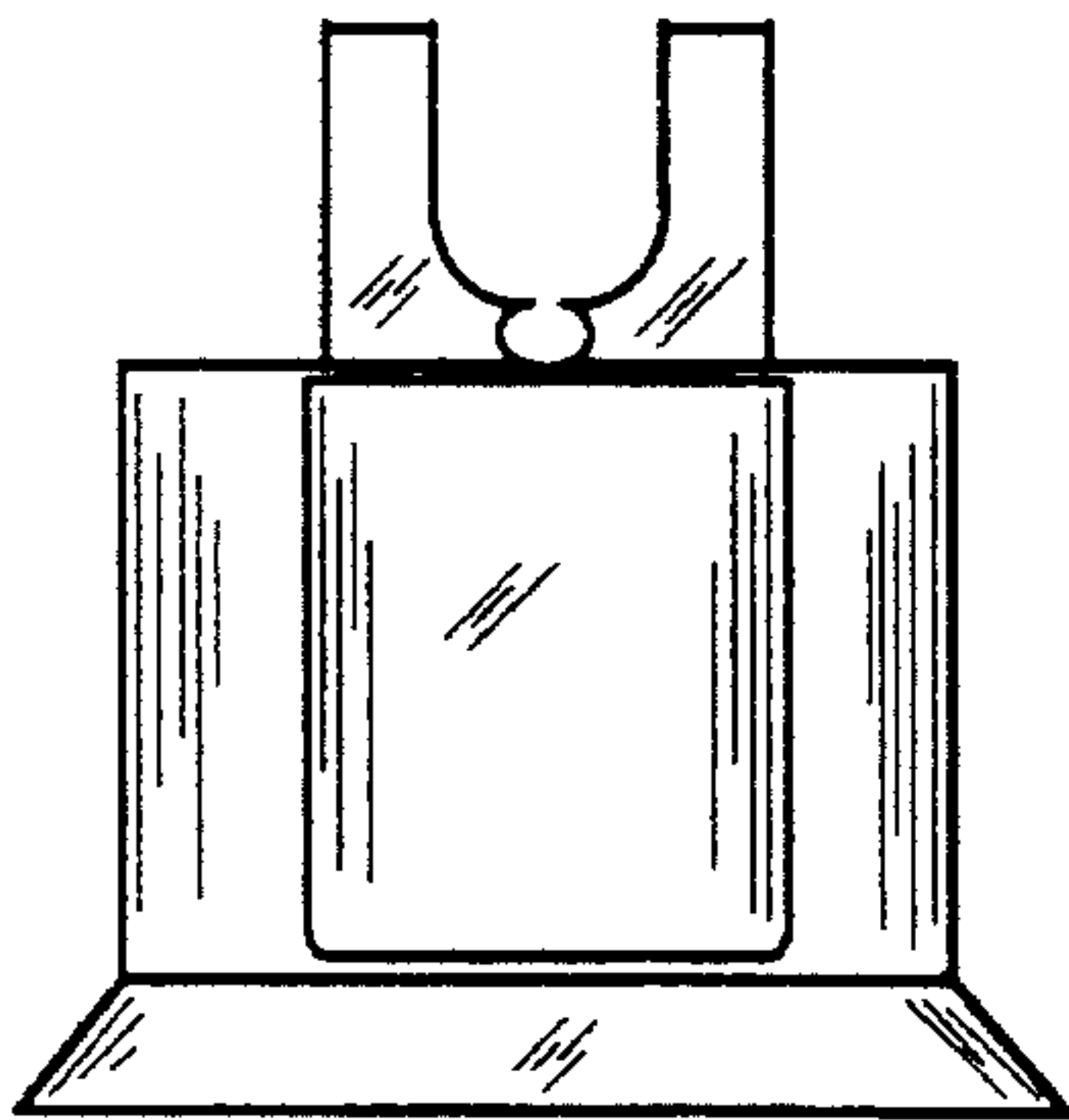


FIG. 4

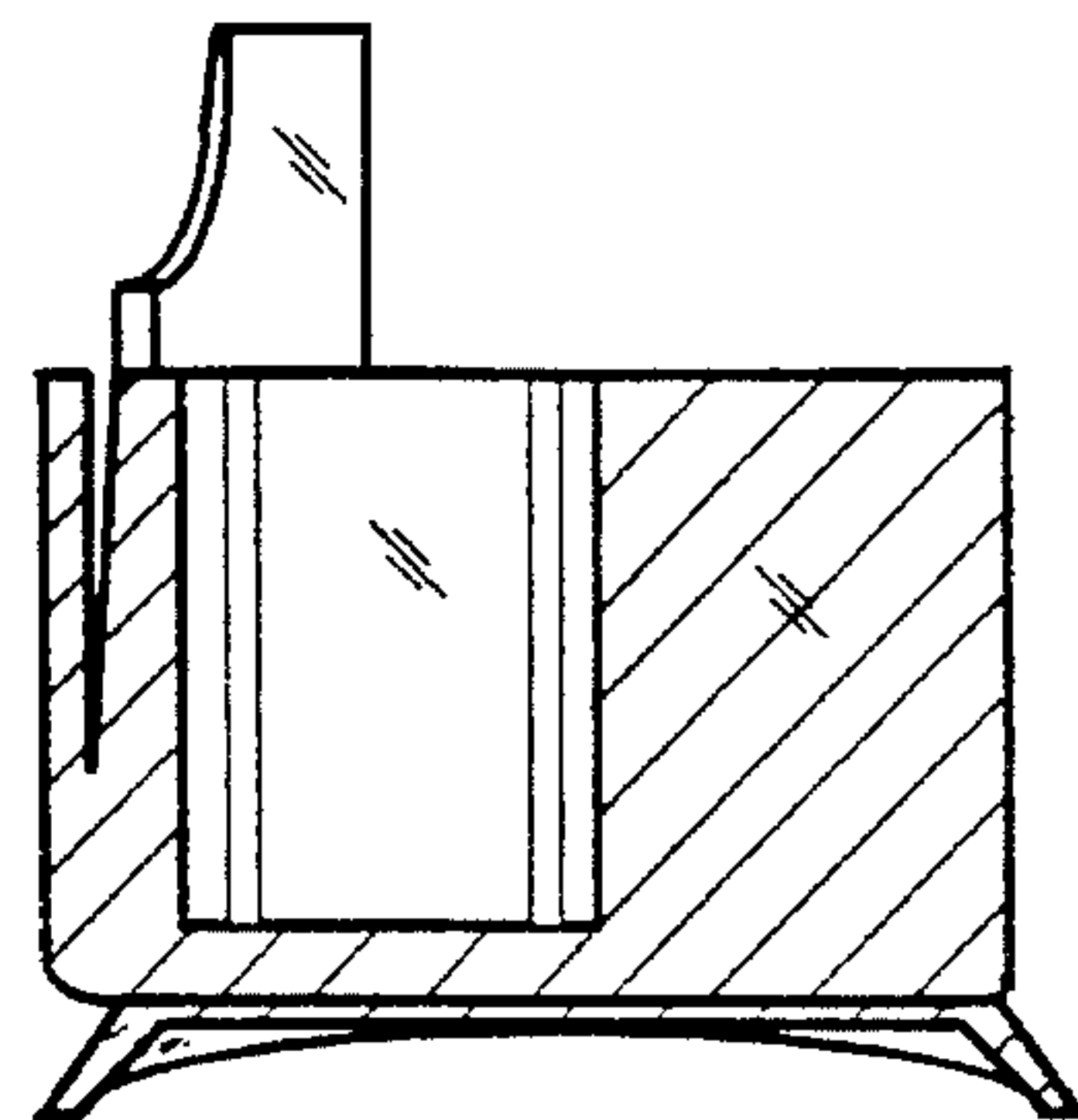


FIG. 5