



US00D370060S

United States Patent [19]

Fahy, Jr.

[11] Patent Number: **Des. 370,060**

[45] Date of Patent: ****May 21, 1996**

[54] **MODULAR GRID UNDERSTRUCTURE**

4,561,232 12/1985 Gladdin, Jr. et al. 52/385

[75] Inventor: **James H. Fahy, Jr.**, Lionville, Pa.

Primary Examiner—Doris Clark
Attorney, Agent, or Firm—George J. Brandt, Jr.; Peter Jon Gluck; Morrison Law Firm

[73] Assignee: **Hitachi Metals America, Ltd.**,
Purchase, N.Y.

[57] **CLAIM**

[**] Term: **14 Years**

The ornamental design for a modular grid understructure, as shown and described.

[21] Appl. No.: **10,570**

DESCRIPTION

[22] Filed: **Jul. 12, 1993**

[52] U.S. Cl. **D25/128**

FIG. 1 is a front view showing my new design;

[58] Field of Search D25/61, 138, 199,
D25/53, 128; 52/220.1, 474, 478, 480,
482, 479, 385, 126.6, 273

FIG. 2 is a left side view thereof;

FIG. 3 is a right side view thereof;

FIG. 4 is a top view thereof;

FIG. 5 is a bottom view thereof; and,

FIG. 6 is a perspective view.

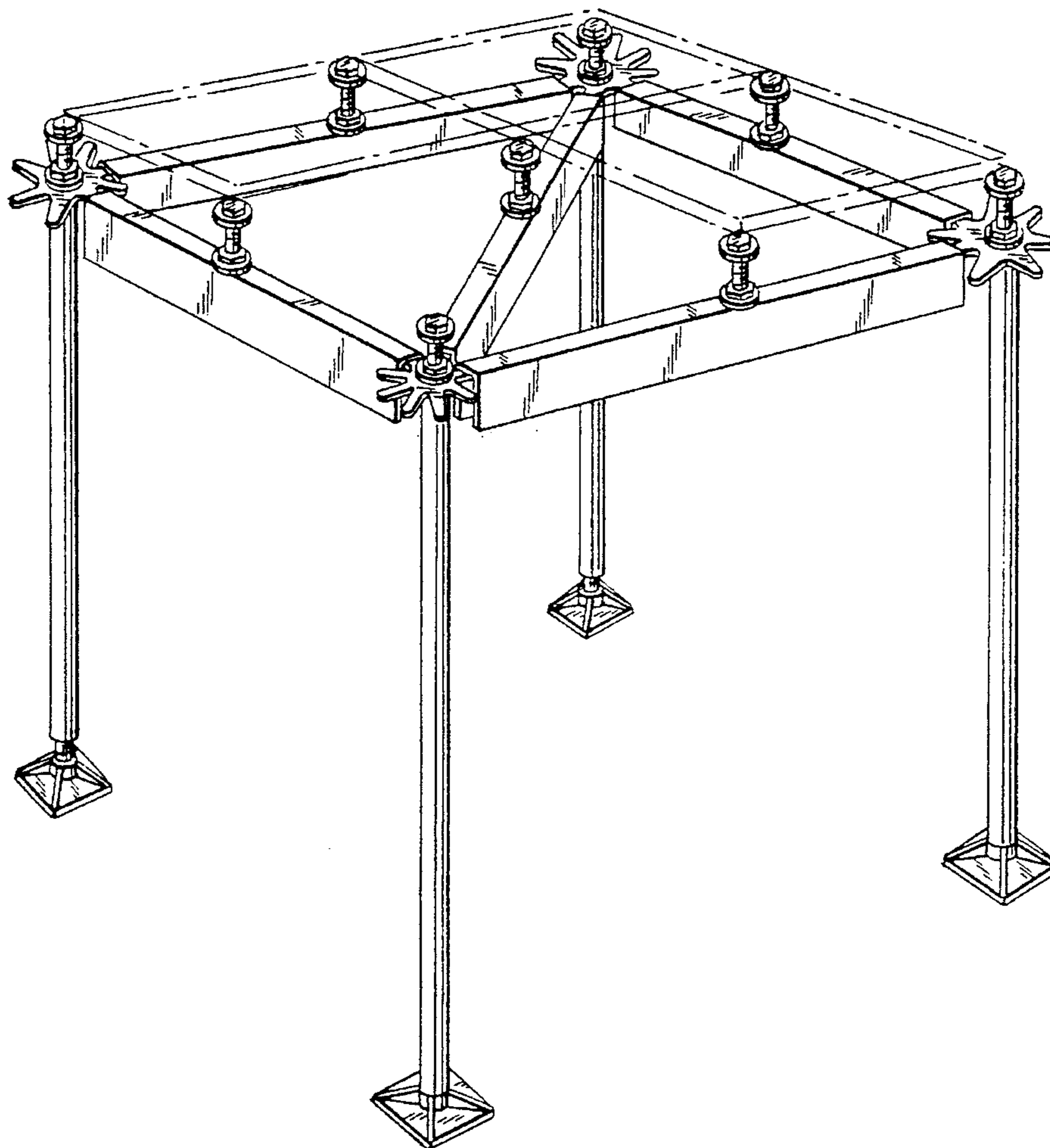
[56] **References Cited**

U.S. PATENT DOCUMENTS

3,065,506	11/1962	Iremer	D25/128
3,318,057	5/1967	Norsworthy	52/480
3,681,882	8/1972	Bettinger	52/273

The broken lines showing floor tiles are for illustrative purposes only and form no part of the claimed design.

1 Claim, 3 Drawing Sheets



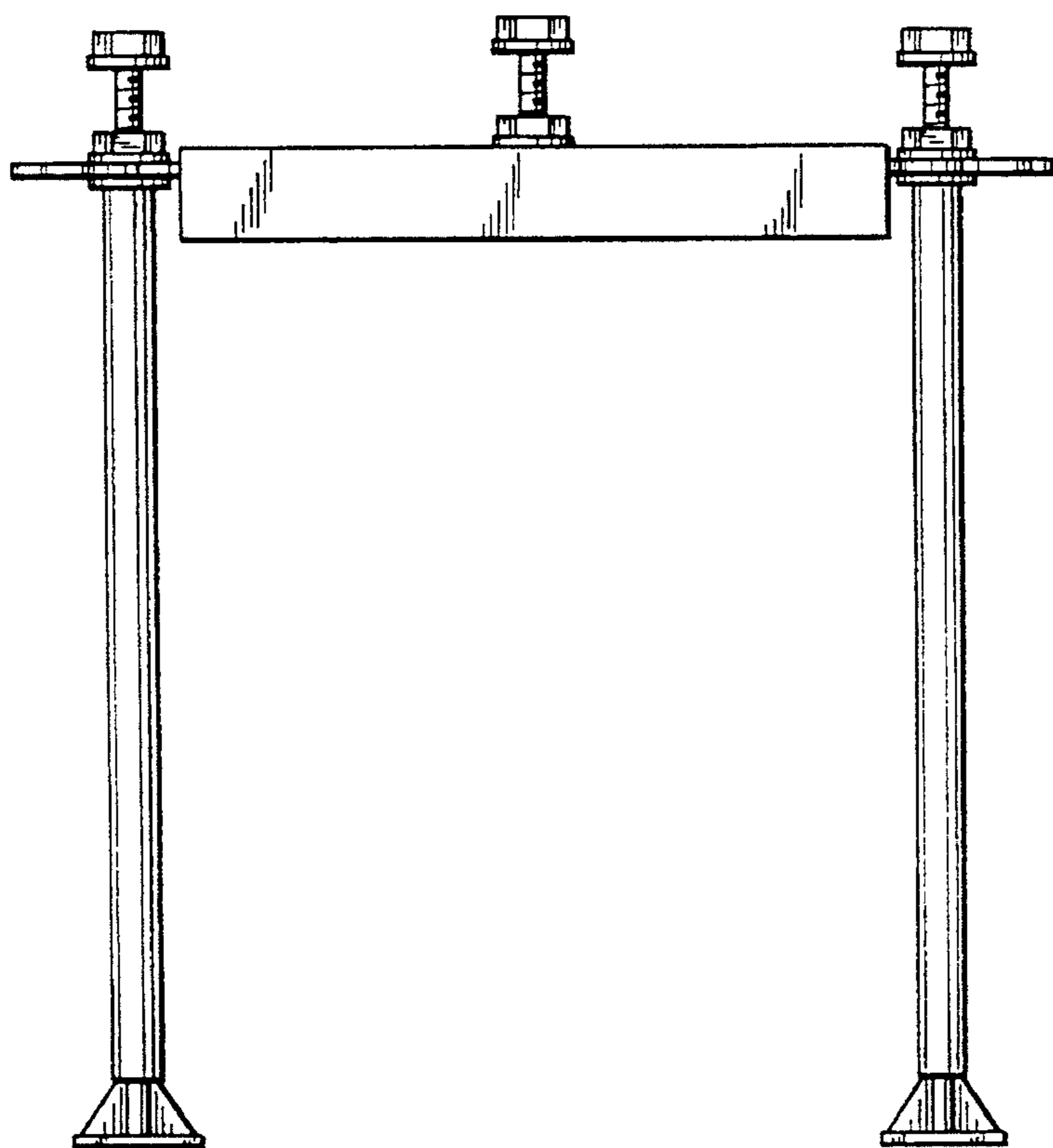


FIG. 1

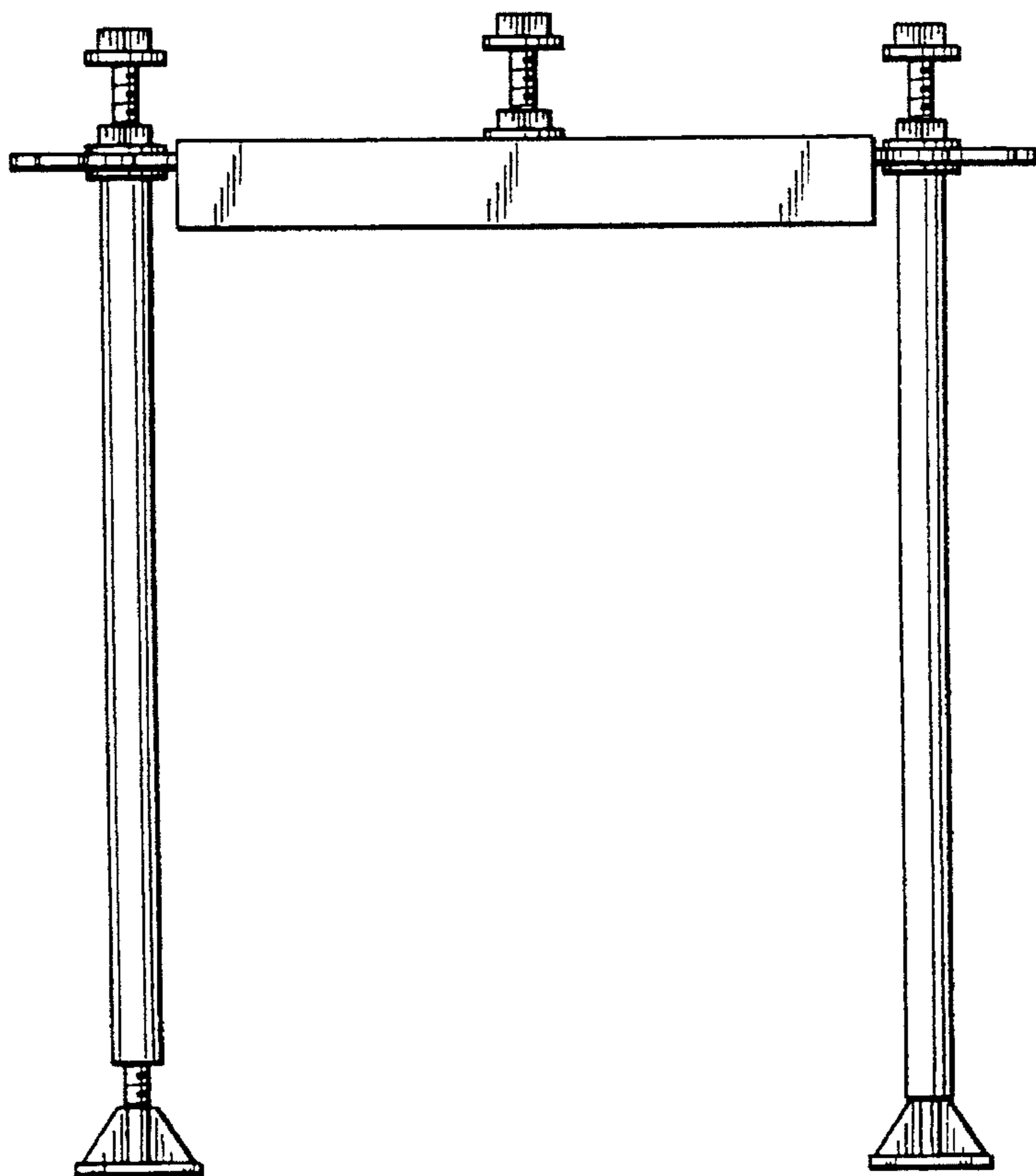


FIG. 2

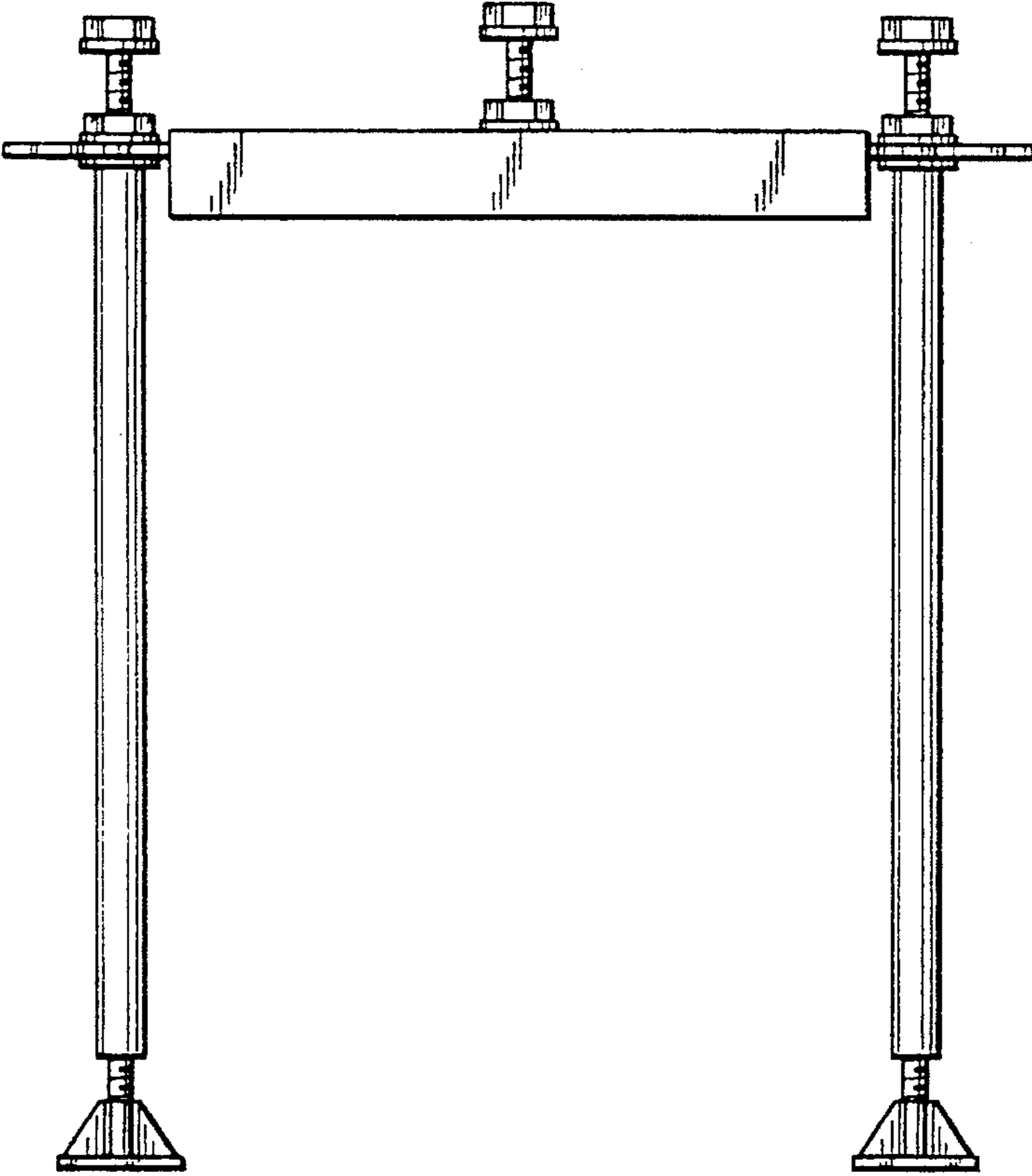


FIG. 3

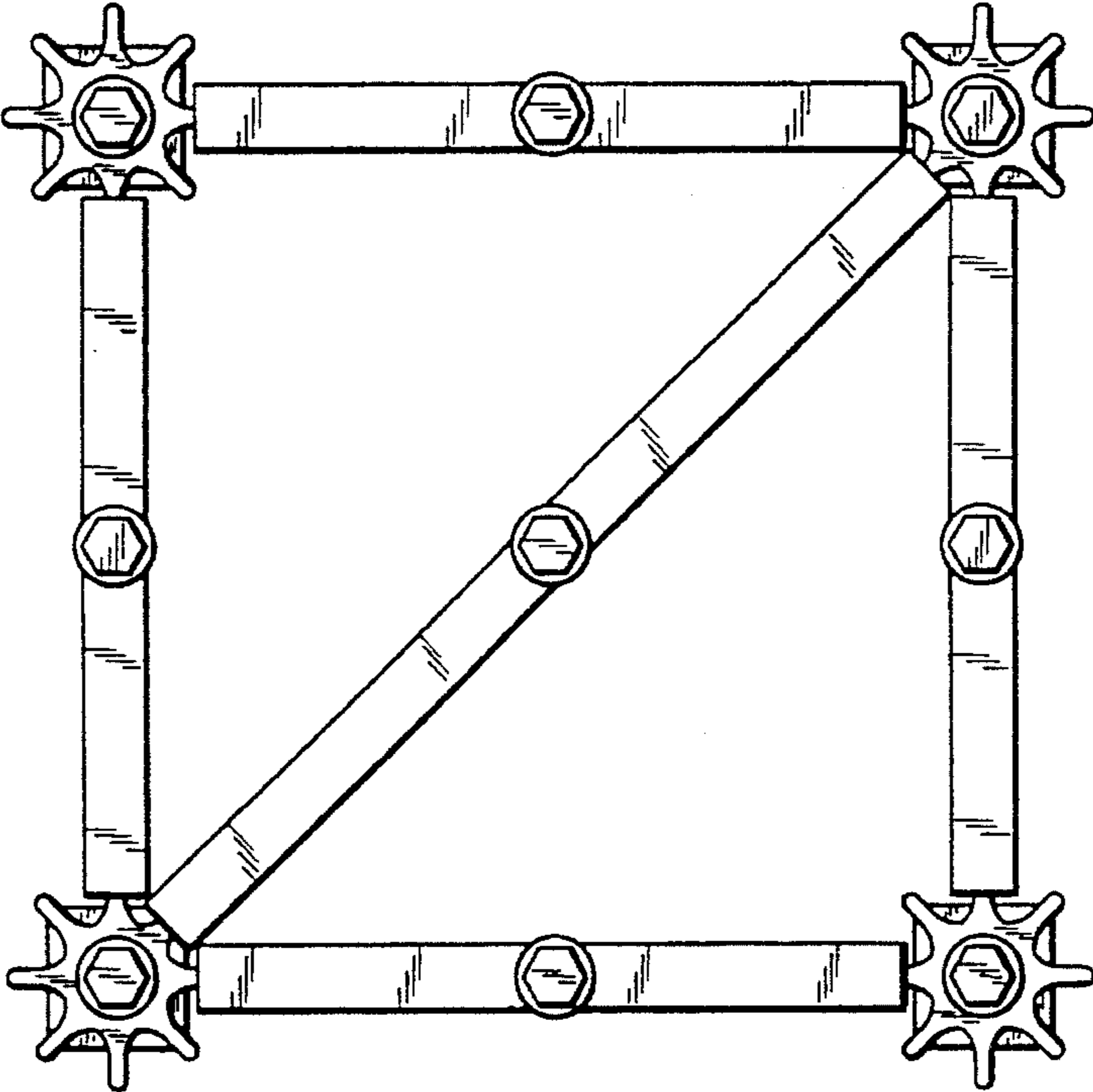


FIG. 4

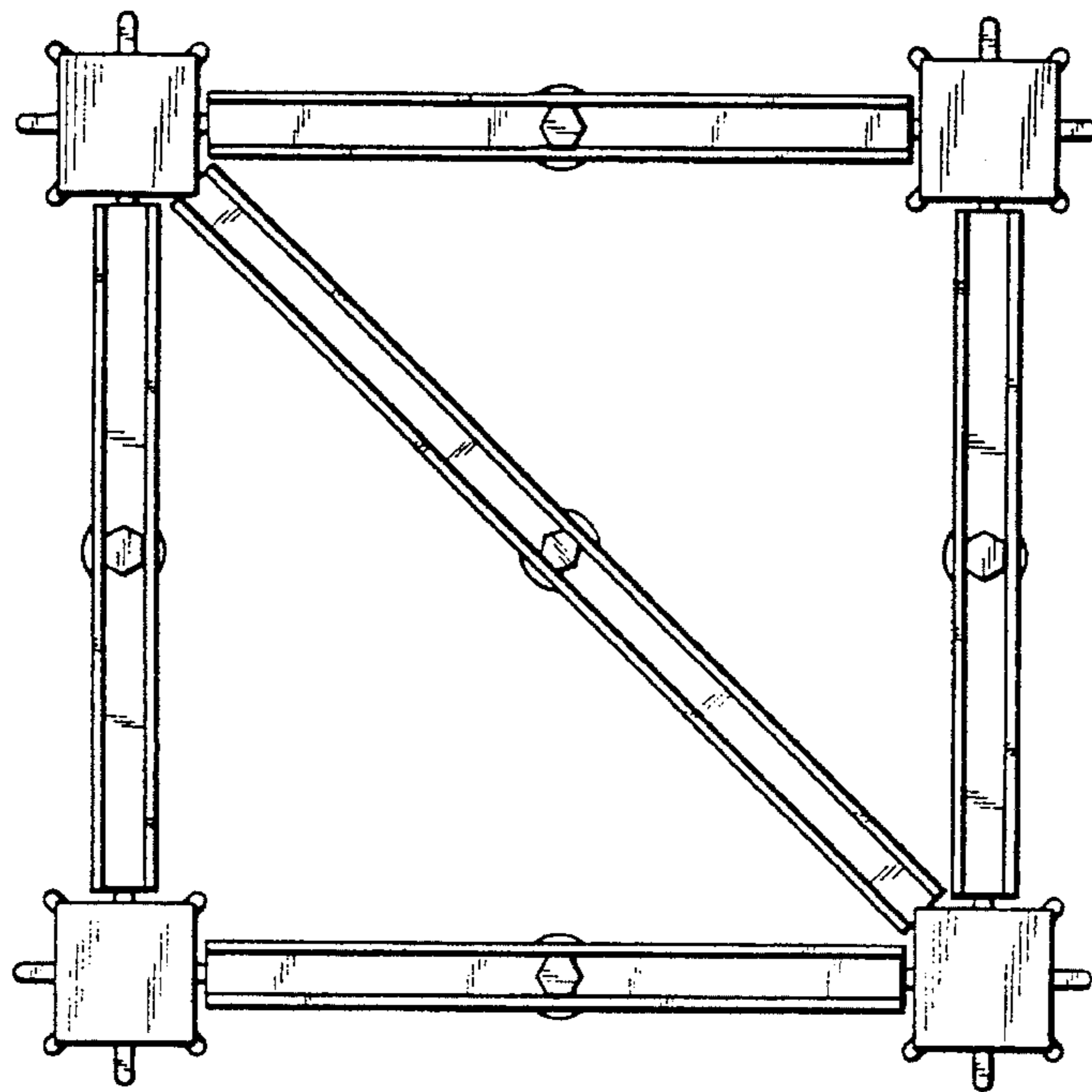


FIG. 5

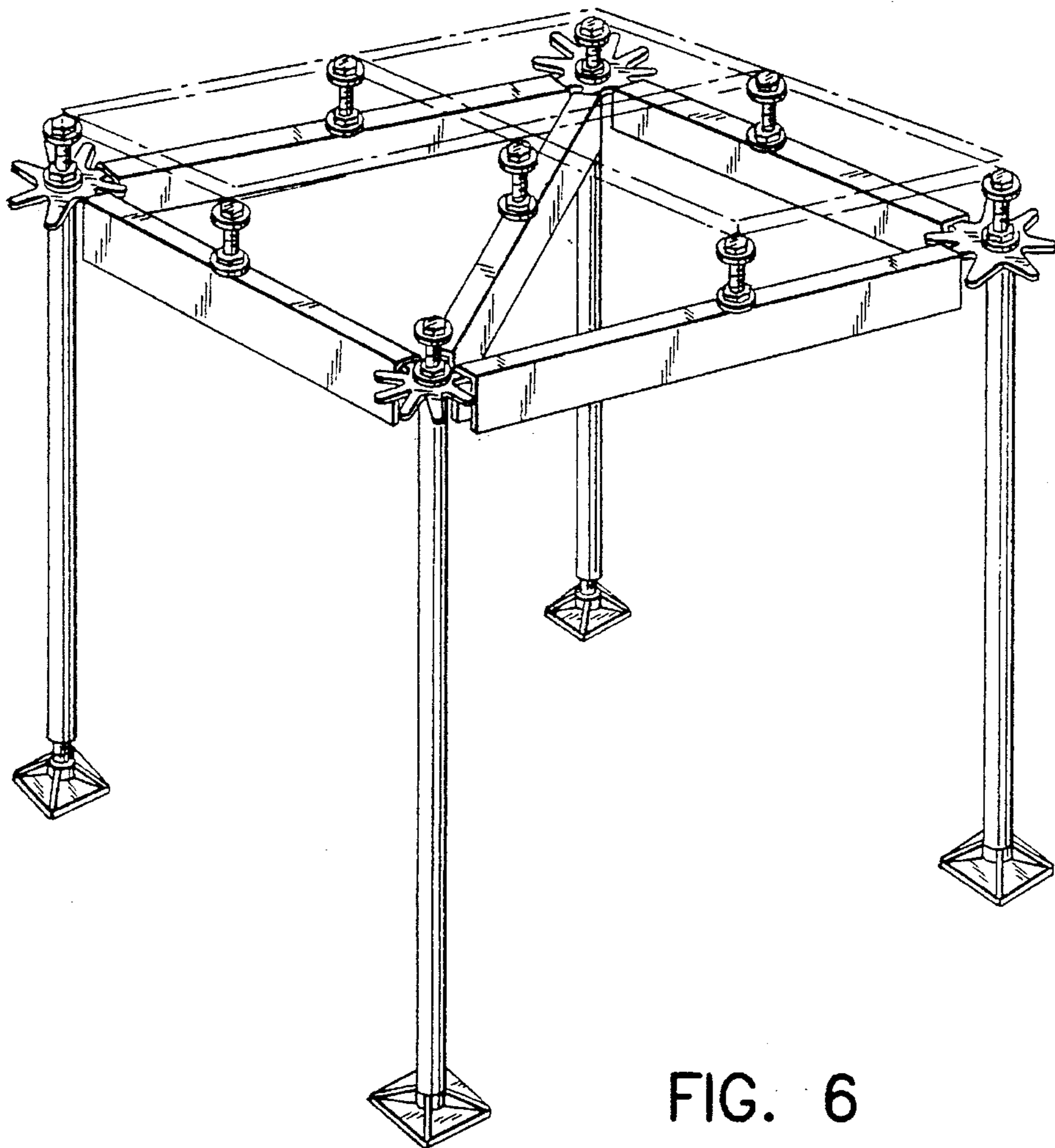


FIG. 6