



US00D370059S

United States Patent [19]

Chiu et al.

[11] Patent Number: **Des. 370,059**

[45] Date of Patent: ****May 21, 1996**

[54] **HUMIDIFIER TANK**

D. 357,310 4/1995 Chiu et al. D23/356
D. 358,461 5/1995 Barker et al. D23/356

[75] Inventors: **Bernard Chiu**, Wellesley, Mass.;
Jui-Shang Wang, Taipei, Taiwan;
Stanley Gresens, Homewood, Ill.

Primary Examiner—Lisa P. Lichtenstein
Attorney, Agent, or Firm—John E. Toupal; Harold G. Jarcho

[73] Assignee: **Duracraft Corporation**, Southborough, Mass.

[57] **CLAIM**

The ornamental design for a humidifier tank, as shown.

[**] Term: **14 Years**

DESCRIPTION

[21] Appl. No.: **35,271**

FIG. 1 is a front, right and top perspective view of a humidifier tank;

[22] Filed: **Feb. 23, 1995**

FIG. 2 is a rear and bottom left perspective view thereof;

[52] U.S. Cl. **D23/358; D23/356; 261/107**

FIG. 3 is a front elevational view thereof;

[58] **Field of Search** D23/356-363;
261/107, 104; 392/406, 405, 403, 395

FIG. 4 is a rear elevational view thereof;

FIG. 5 is a top plan view thereof;

FIG. 6 is a bottom plan view thereof;

[56] **References Cited**

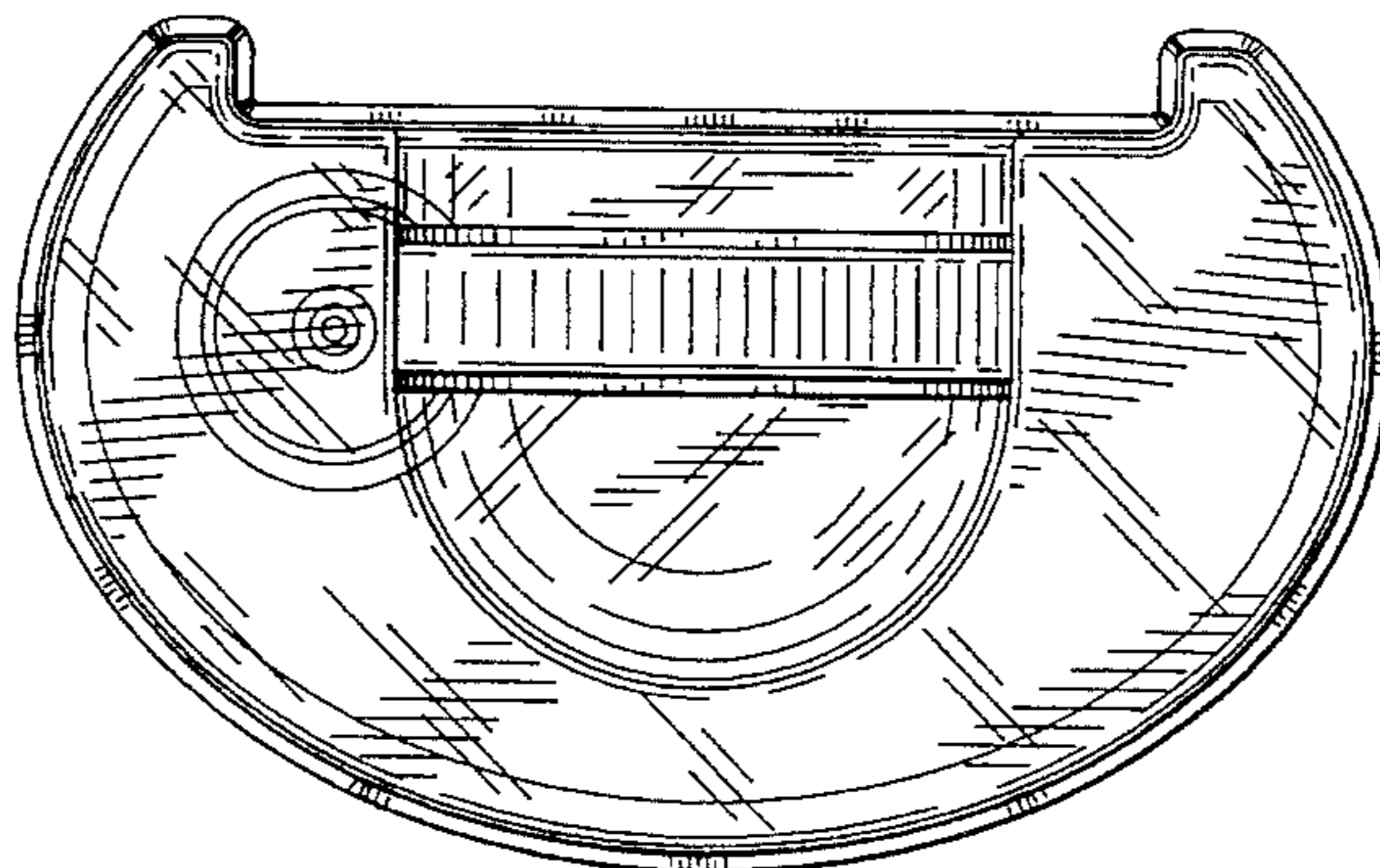
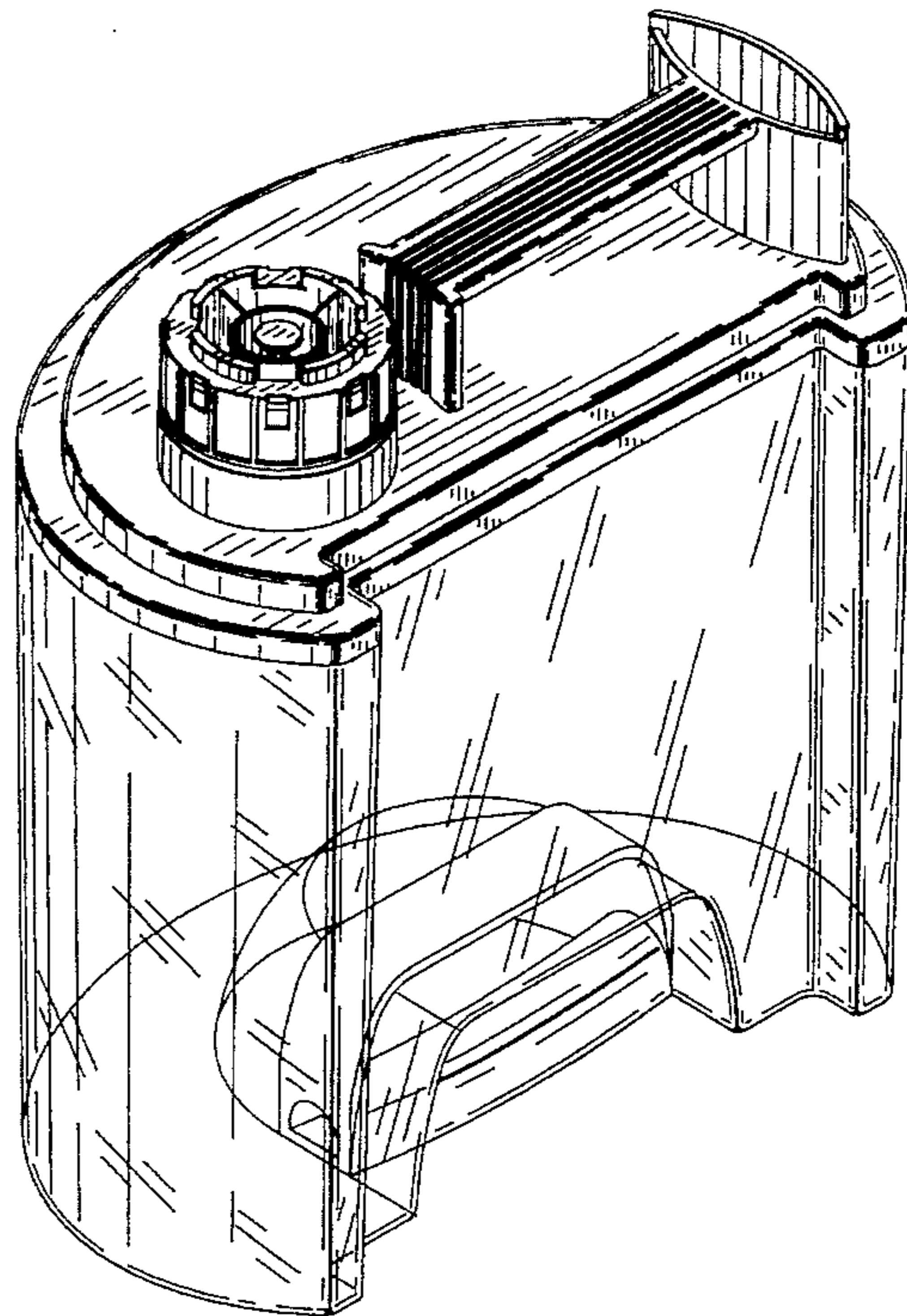
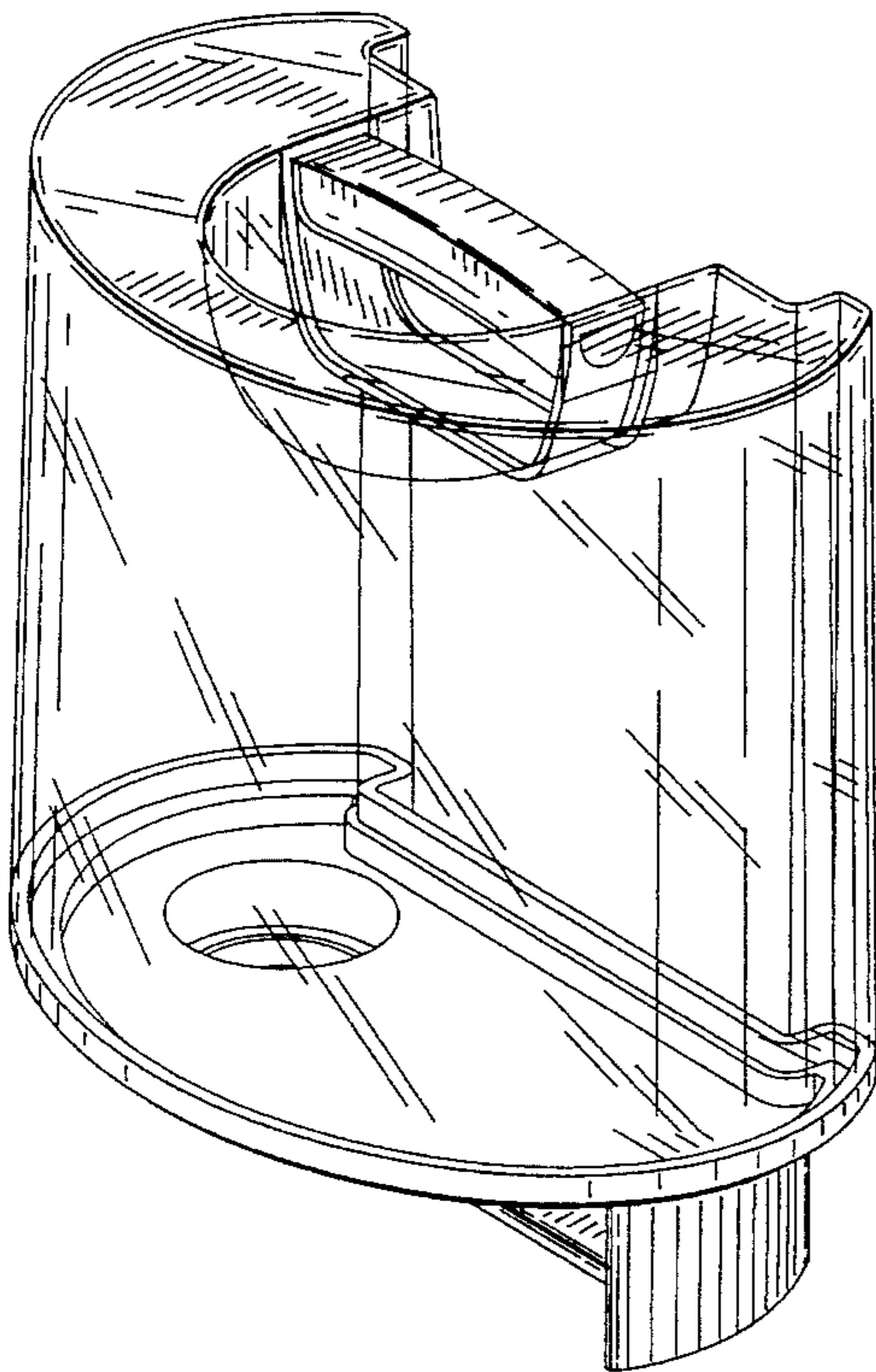
FIG. 7 is a left side elevational view thereof; and,

FIG. 8 is a right side elevational view thereof.

U.S. PATENT DOCUMENTS

D. 298,351 11/1988 Ihlenfeld et al. D23/356

1 Claim, 6 Drawing Sheets



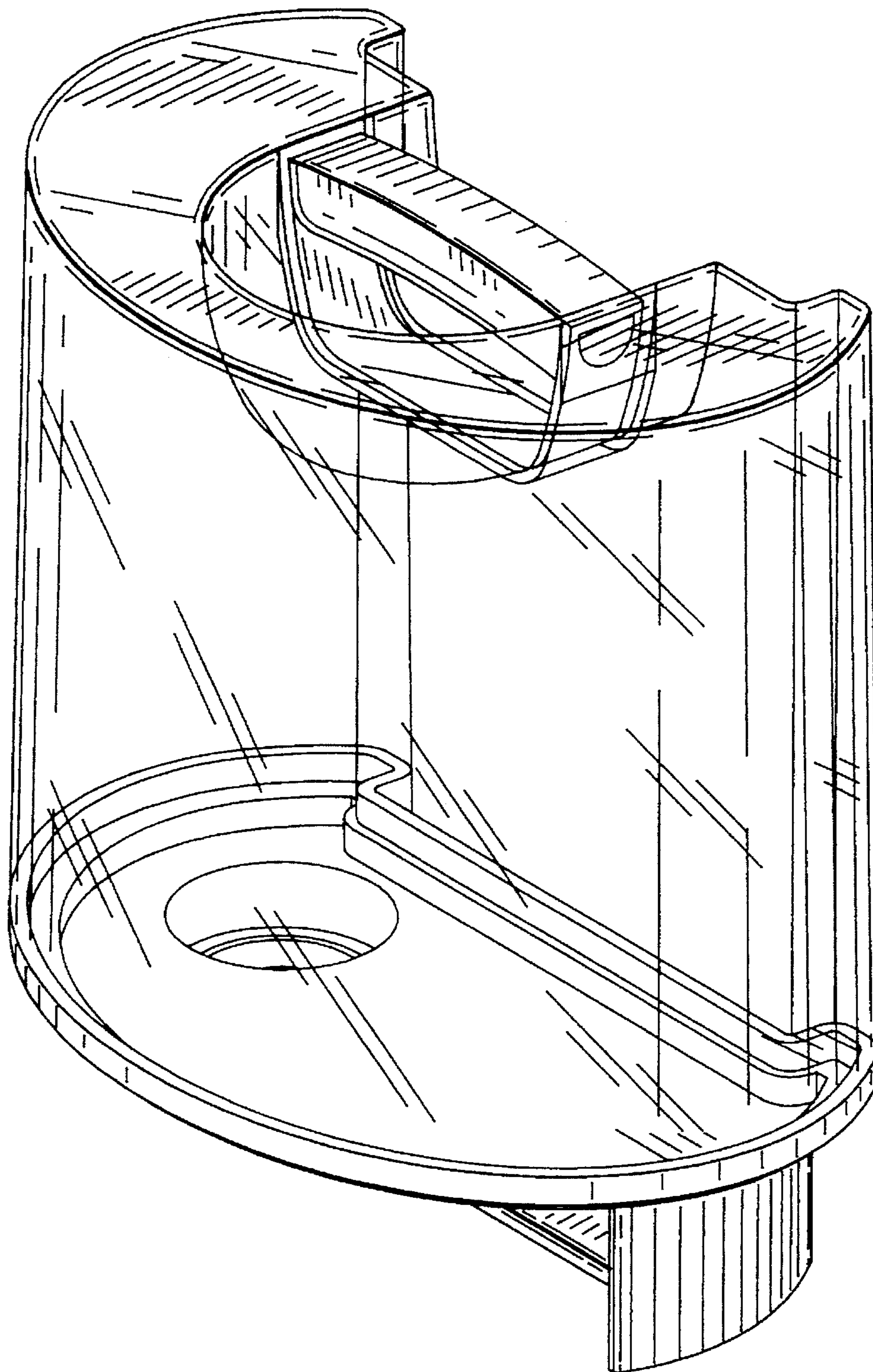


FIG. 1

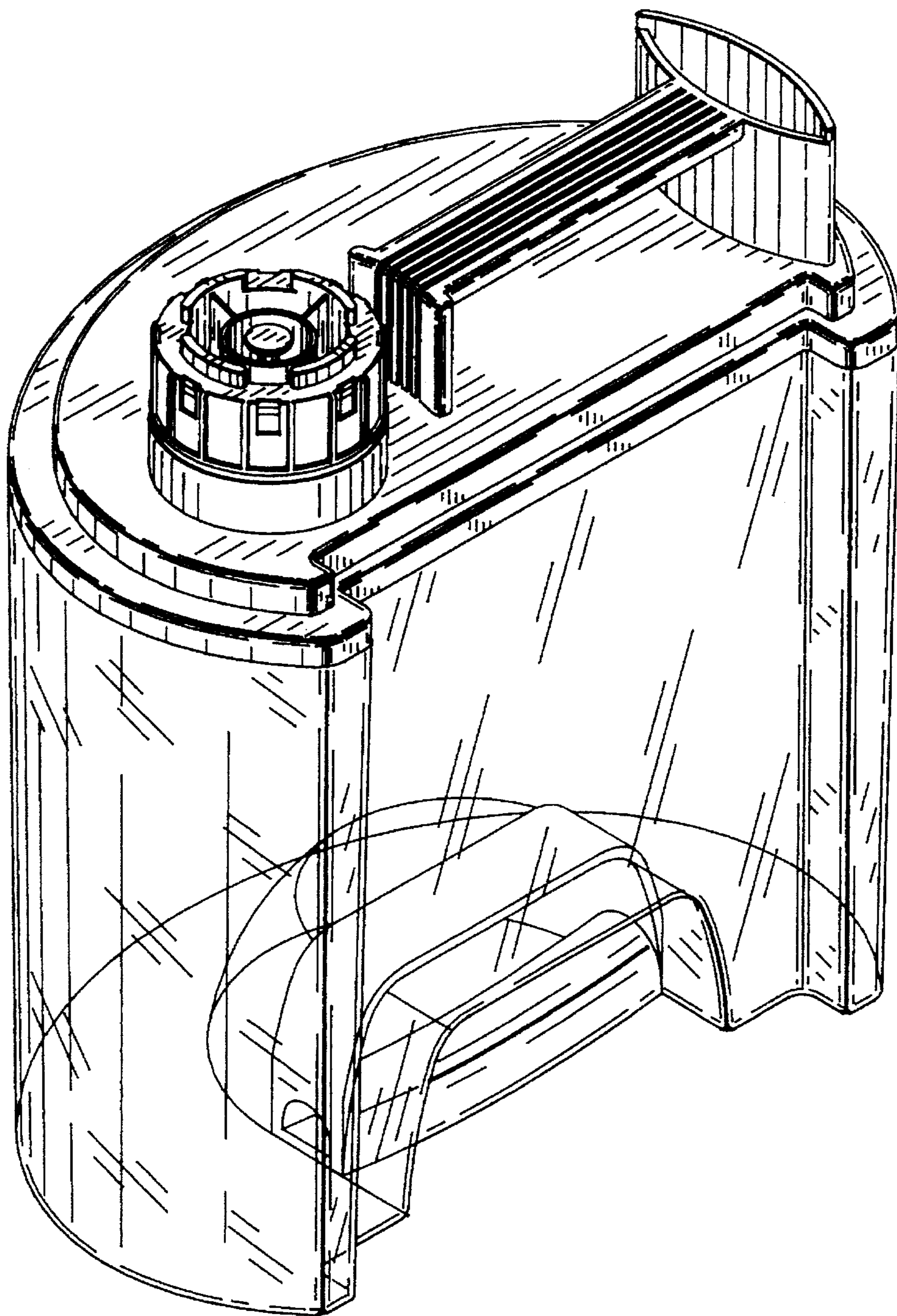


FIG. 2

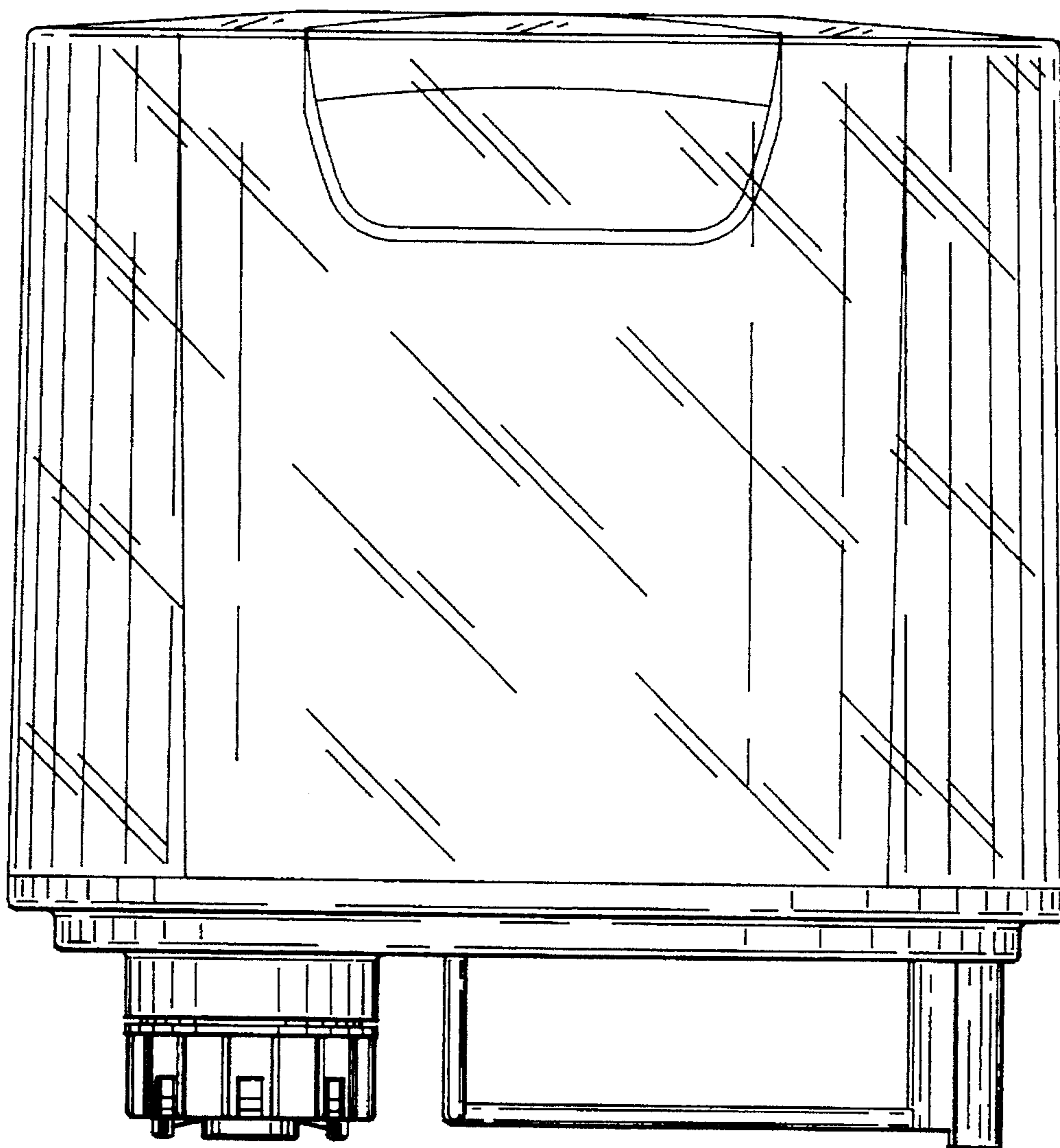


FIG. 3

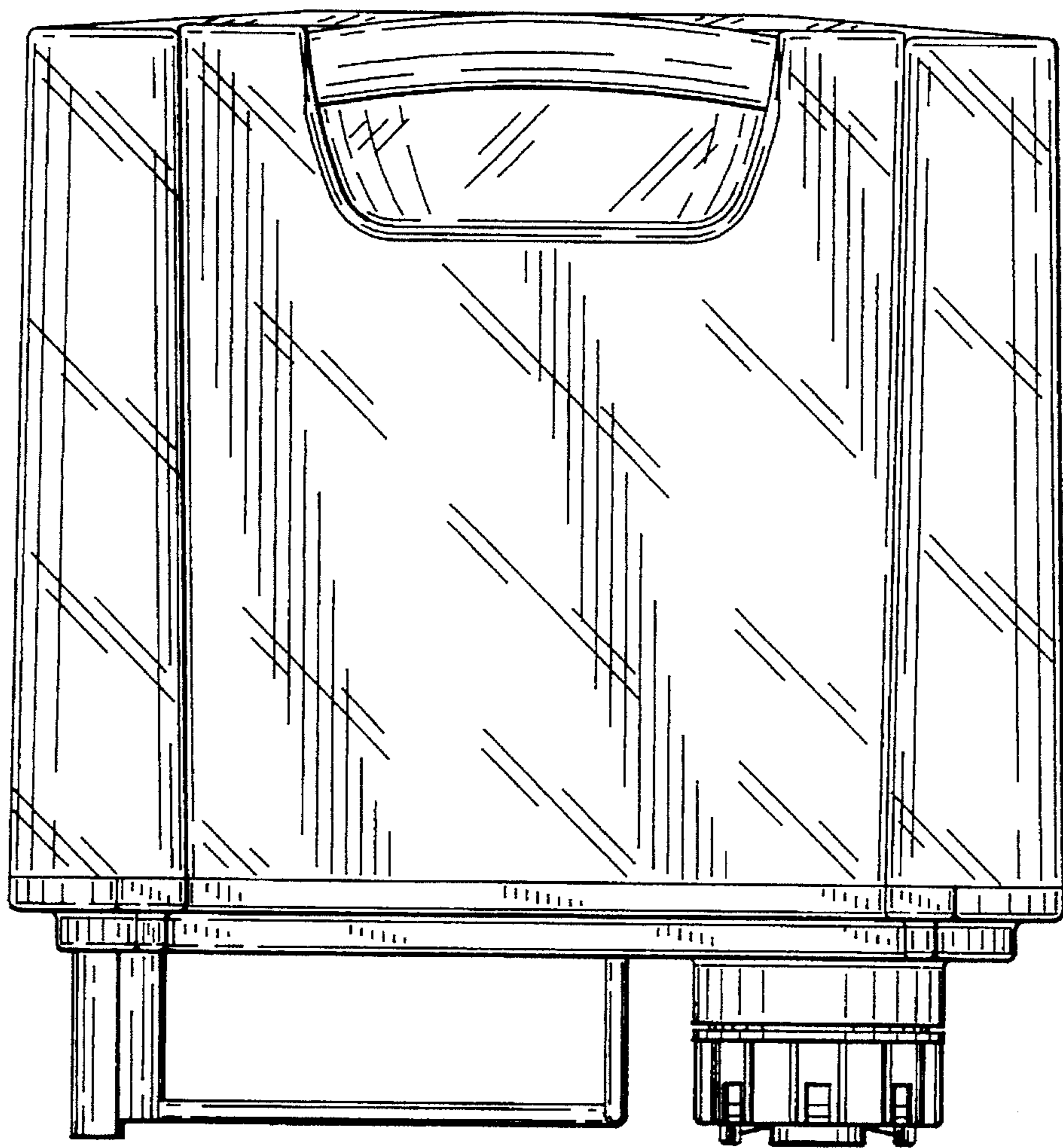


FIG. 4

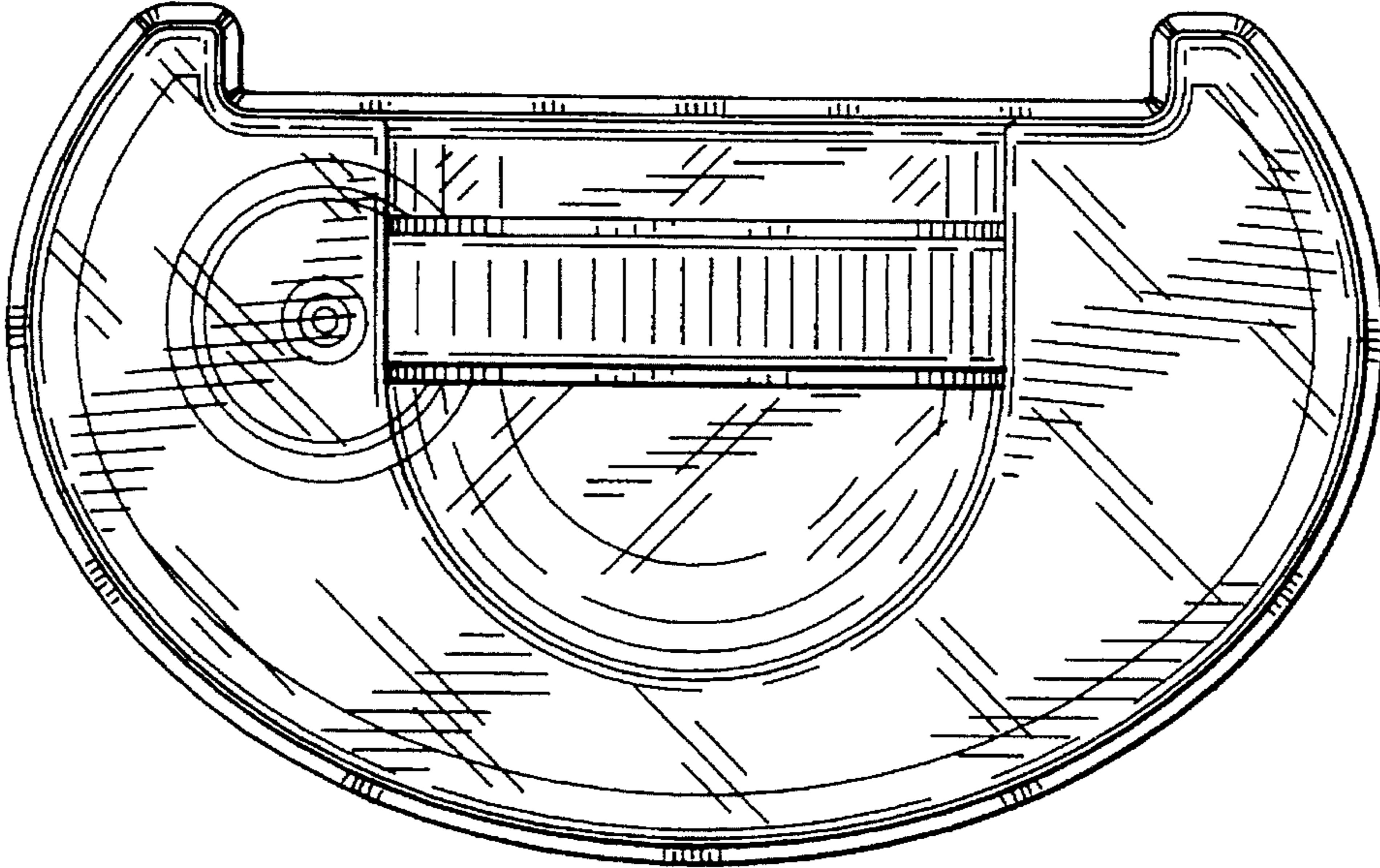


FIG. 5

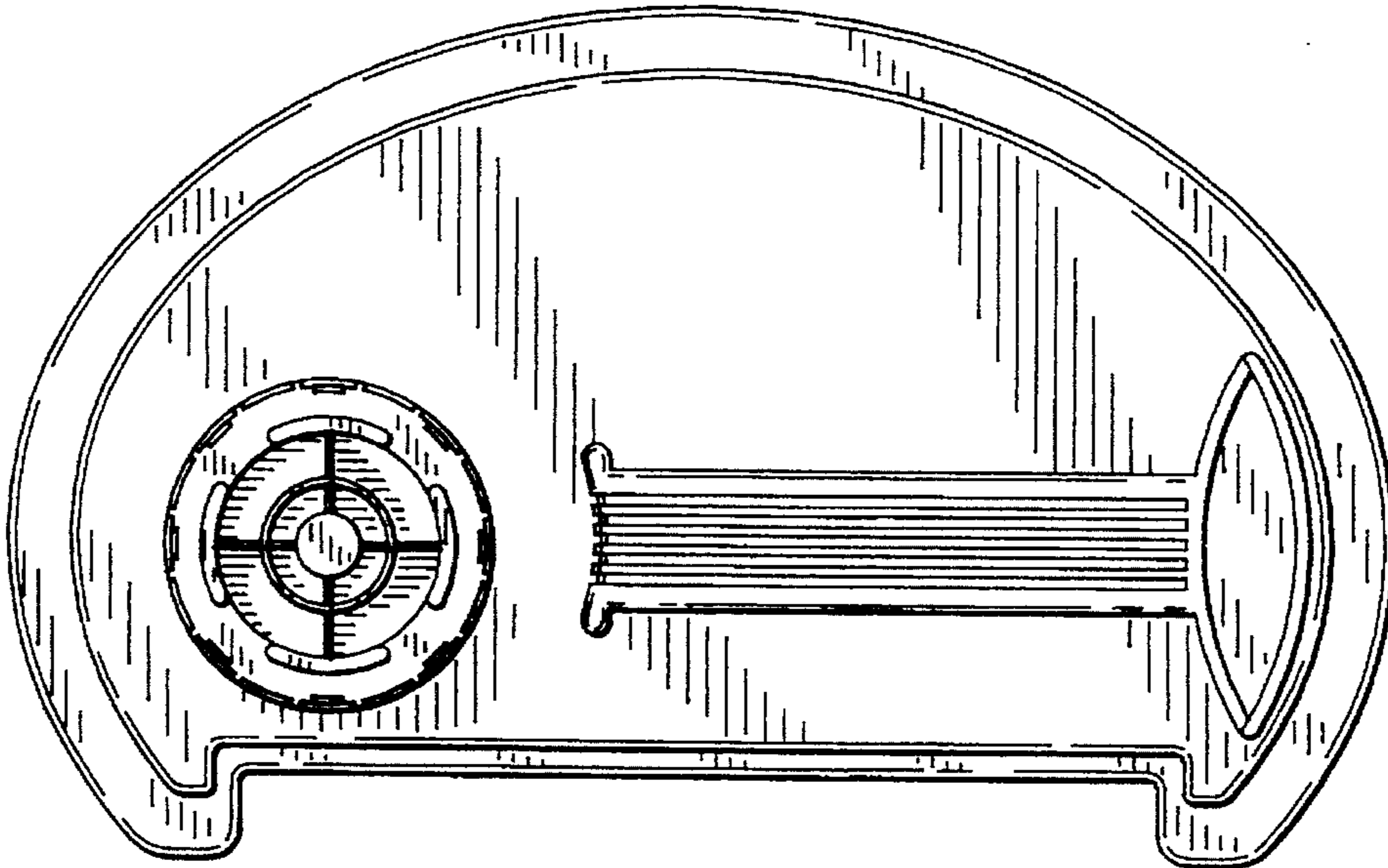


FIG. 6

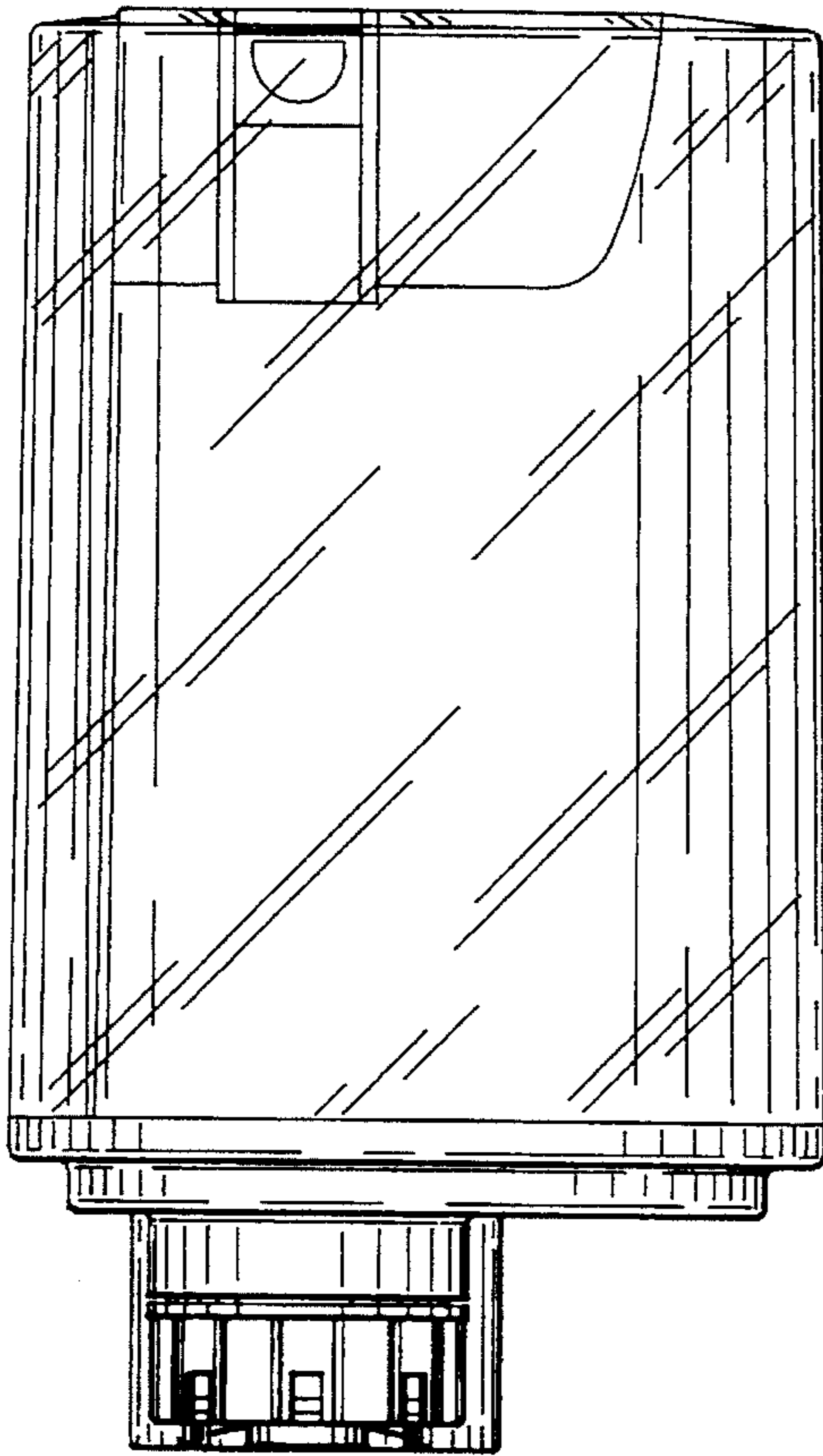


FIG. 7

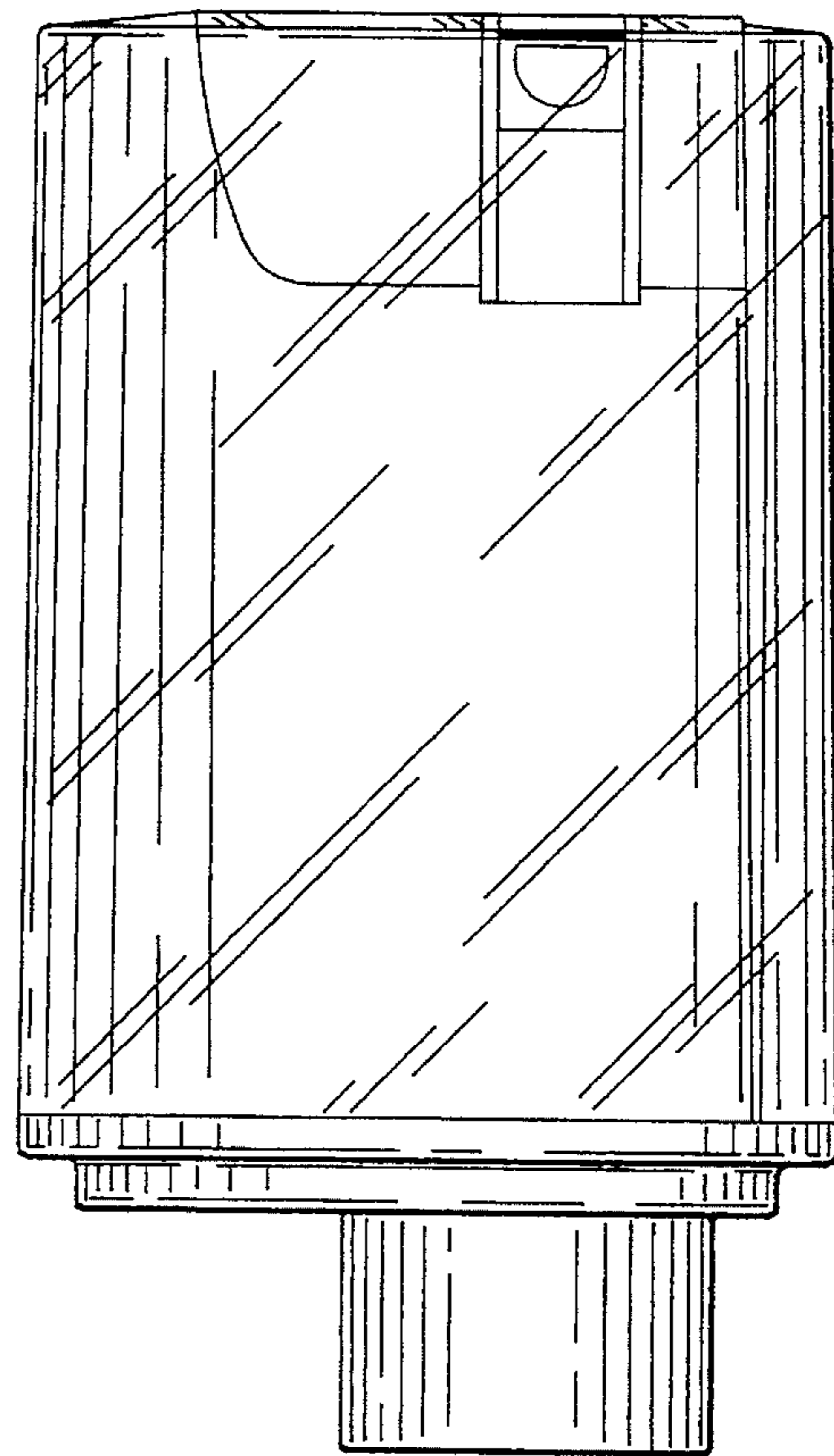


FIG. 8