



US00D370054S

# United States Patent [19]

Nakadaira et al.

[11] Patent Number: **Des. 370,054**

[45] Date of Patent: **\*\*May 21, 1996**

[54] **DIAPHRAGM VALVE**

[75] Inventors: **Katsuya Nakadaira; Toshihiro Hanada**, both of Nobeoka, Japan

[73] Assignee: **Asahi Yukizai Kogyo Co., Ltd.**, Miyazaki, Japan

[\*\*] Term: **14 Years**

[21] Appl. No.: **35,467**

[22] Filed: **Feb. 28, 1995**

[30] **Foreign Application Priority Data**

Aug. 31, 1994 [JP] Japan ..... 6-25938

[52] U.S. Cl. .... **D23/245**

[58] Field of Search ..... D23/233-237, D23/244-249; 137/801, 412, 312; 251/148, 152, 309, 330

[56] **References Cited**

**U.S. PATENT DOCUMENTS**

- D. 26,683 2/1897 Railton et al. .... D23/233
- D. 60,185 1/1922 Whiteman ..... D23/245

- D. 098,061 10/1935 Flodin ..... D23/248
- D. 297,971 10/1988 Kiyoto et al. .... D23/245
- D. 299,521 1/1989 Kiyoto et al. .... D23/245
- 1,483,631 2/1924 Forbes ..... 137/312

*Primary Examiner*—Stella Reid  
*Assistant Examiner*—Eric Watterson  
*Attorney, Agent, or Firm*—Burns, Doane, Swecker & Mathis

[57] **CLAIM**

The ornamental design for a diaphragm valve, as shown.

**DESCRIPTION**

FIG. 1 is a perspective view of a diaphragm valve showing our new design;  
 FIG. 2 is a front elevational view thereof;  
 FIG. 3 is a top plan view thereof;  
 FIG. 4 is a rear elevational view thereof;  
 FIG. 5 is a bottom plan view thereof;  
 FIG. 6 is a right side elevational view thereof, a left side elevational view being a mirror image of the right side elevational view; and,  
 FIG. 7 is a cross-sectional view taken along the line 7—7 in FIG. 3.

**1 Claim, 5 Drawing Sheets**

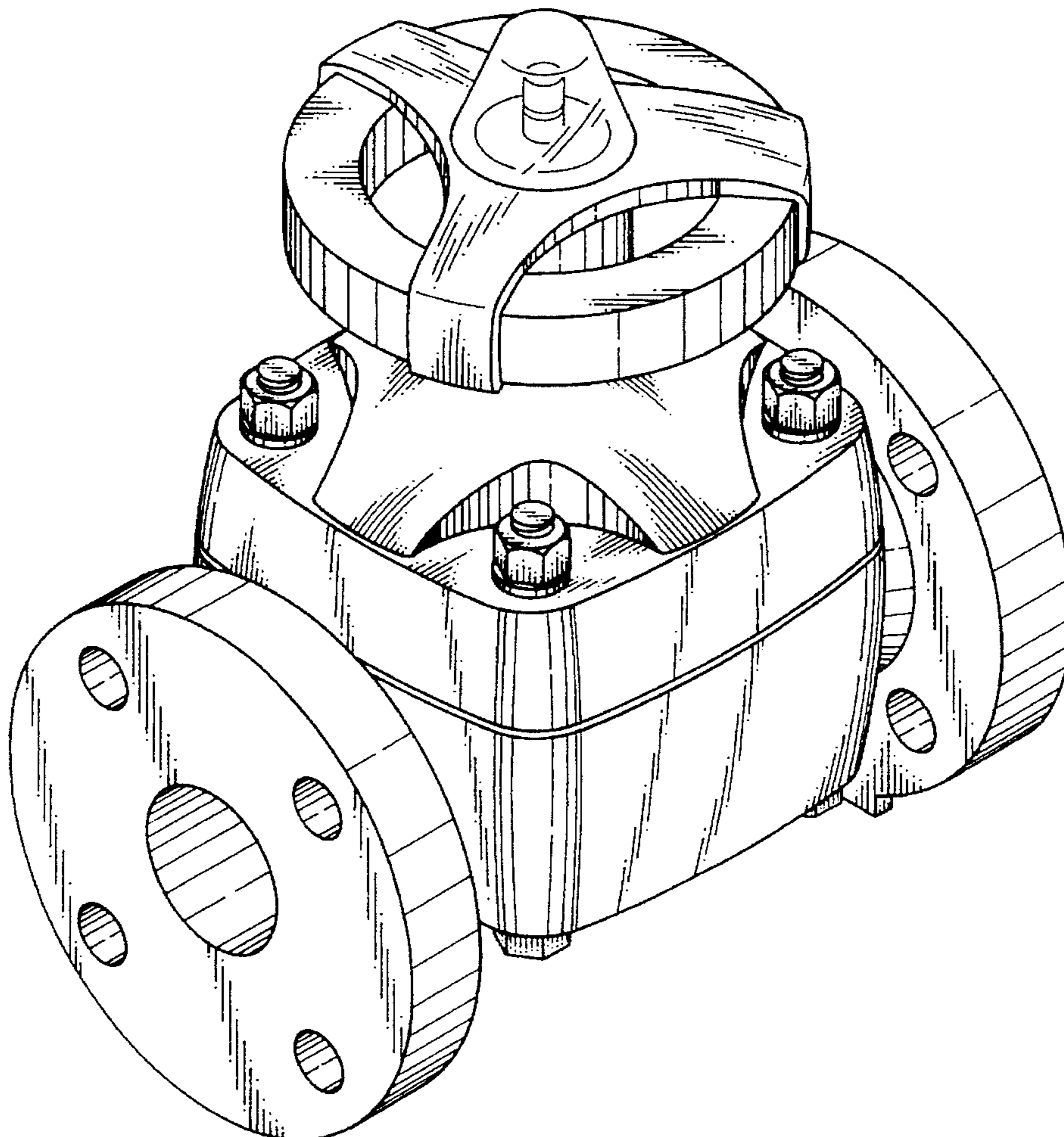


Fig.1

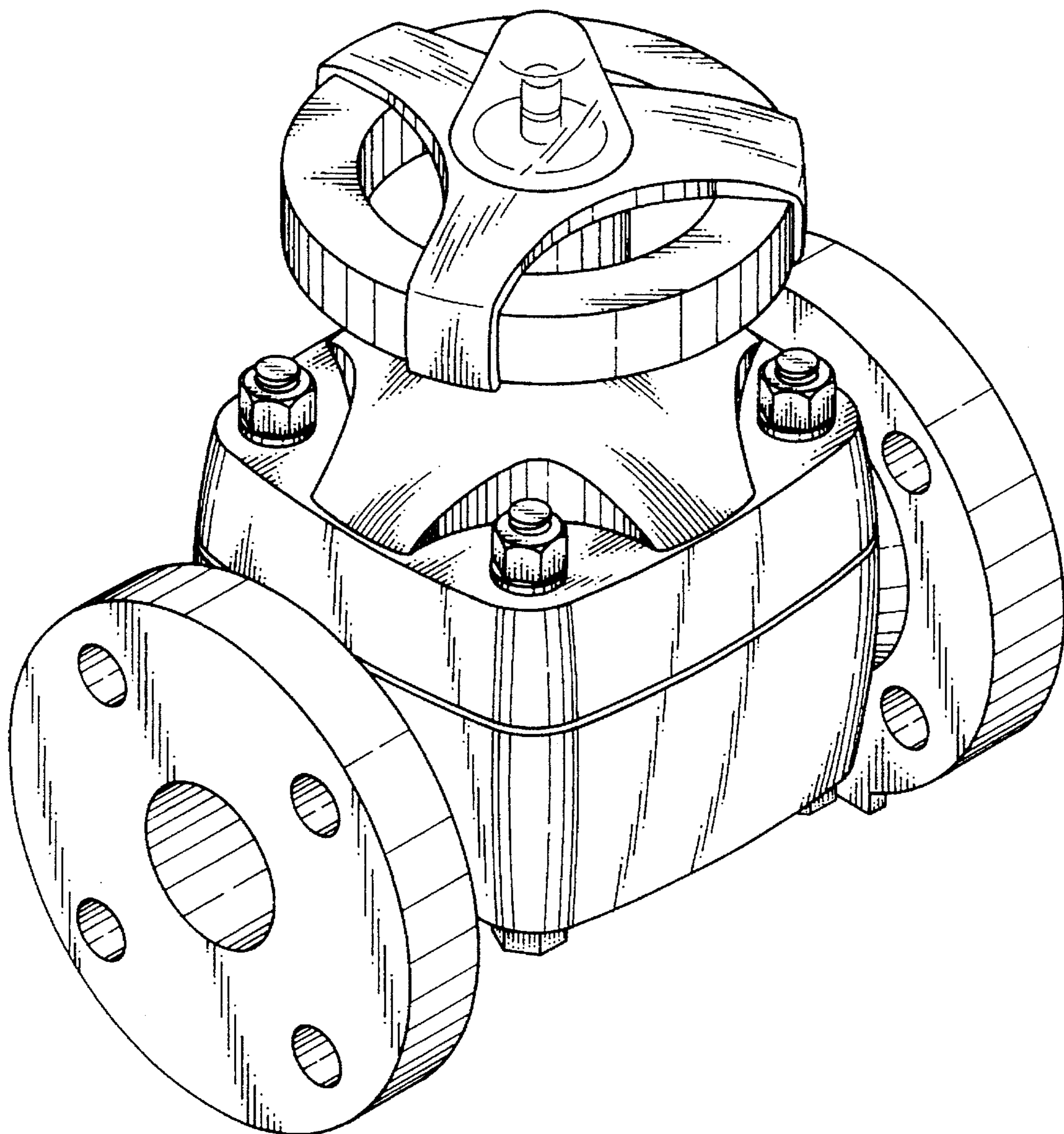


Fig.2

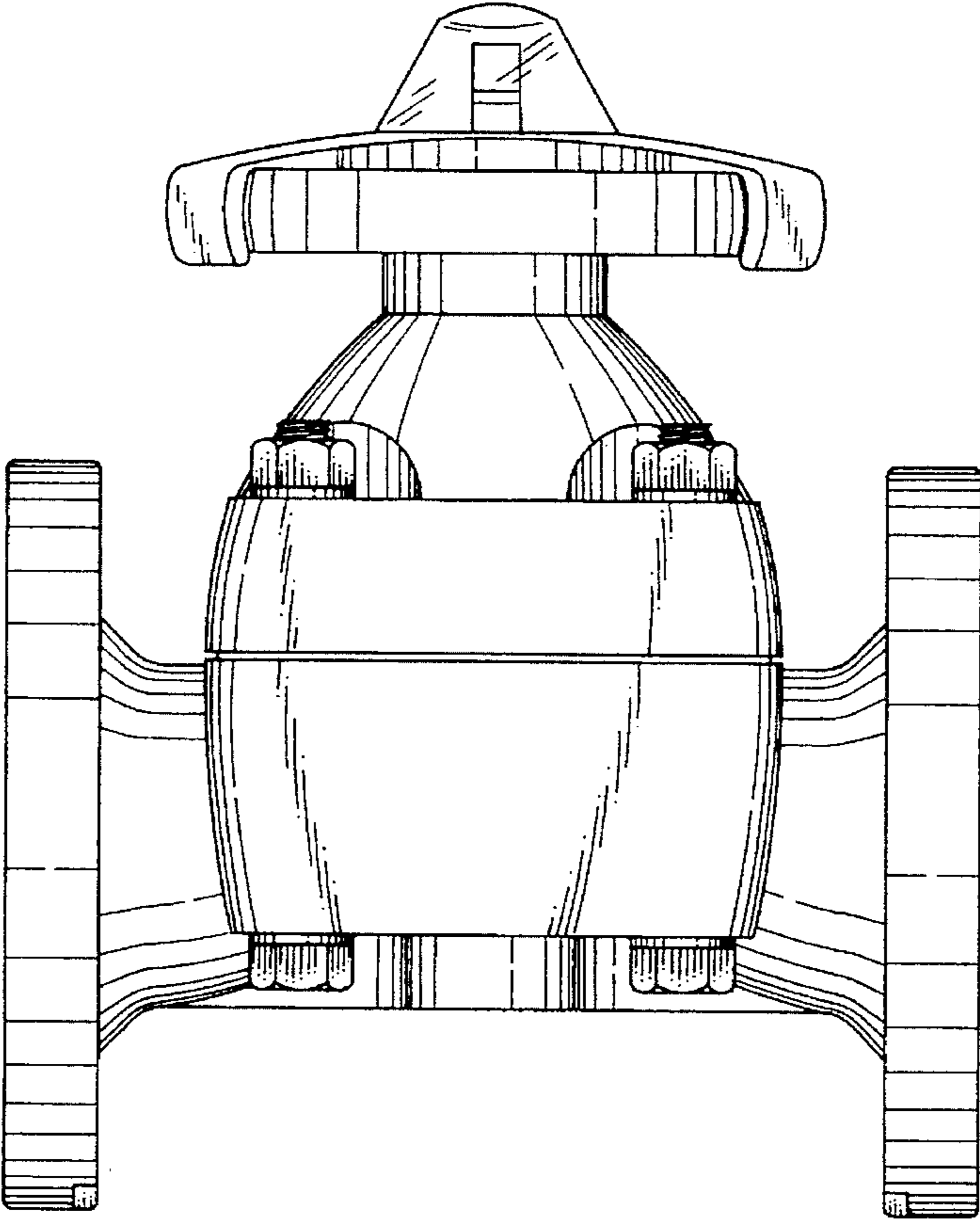


Fig.3

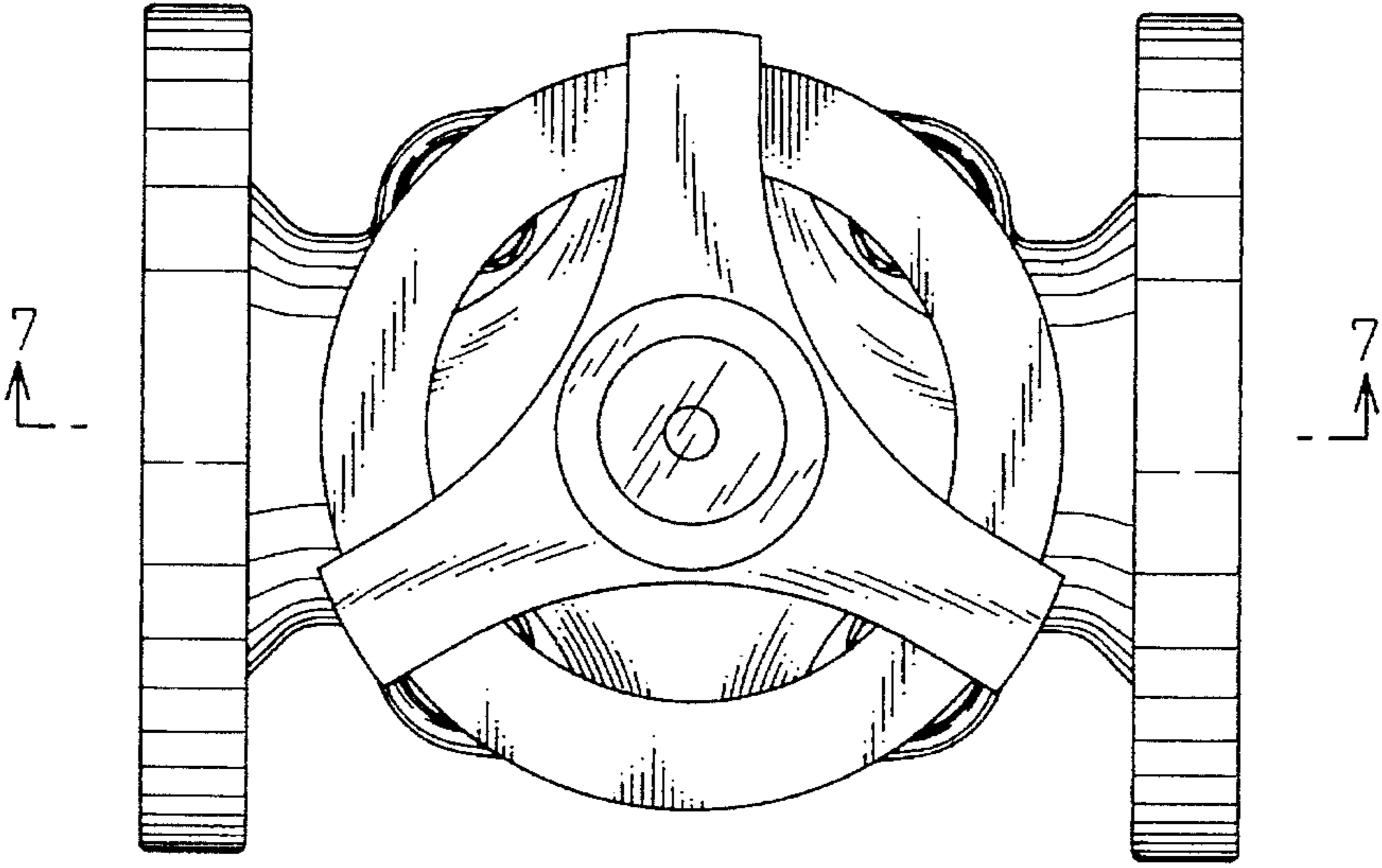




Fig.4

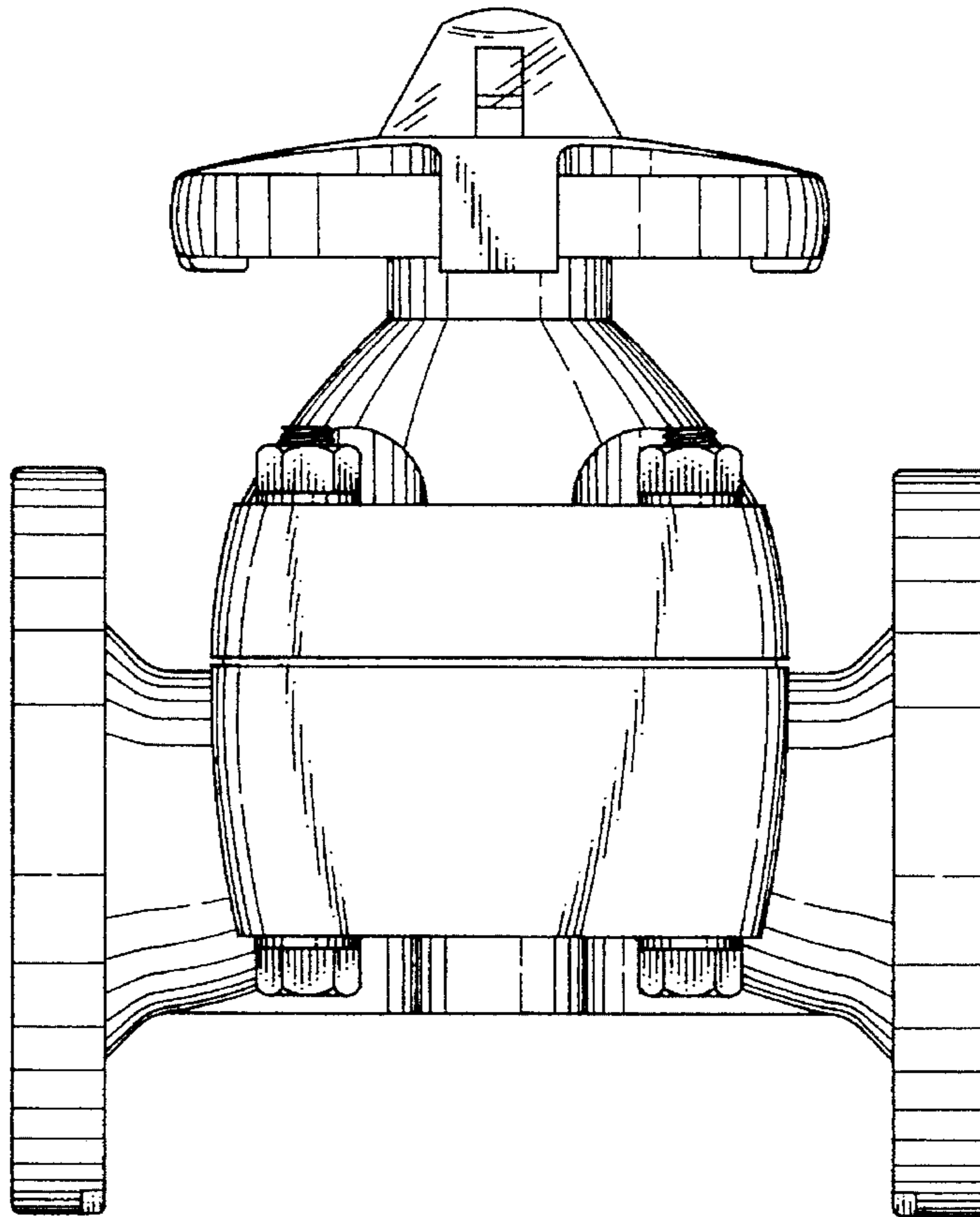


Fig.5

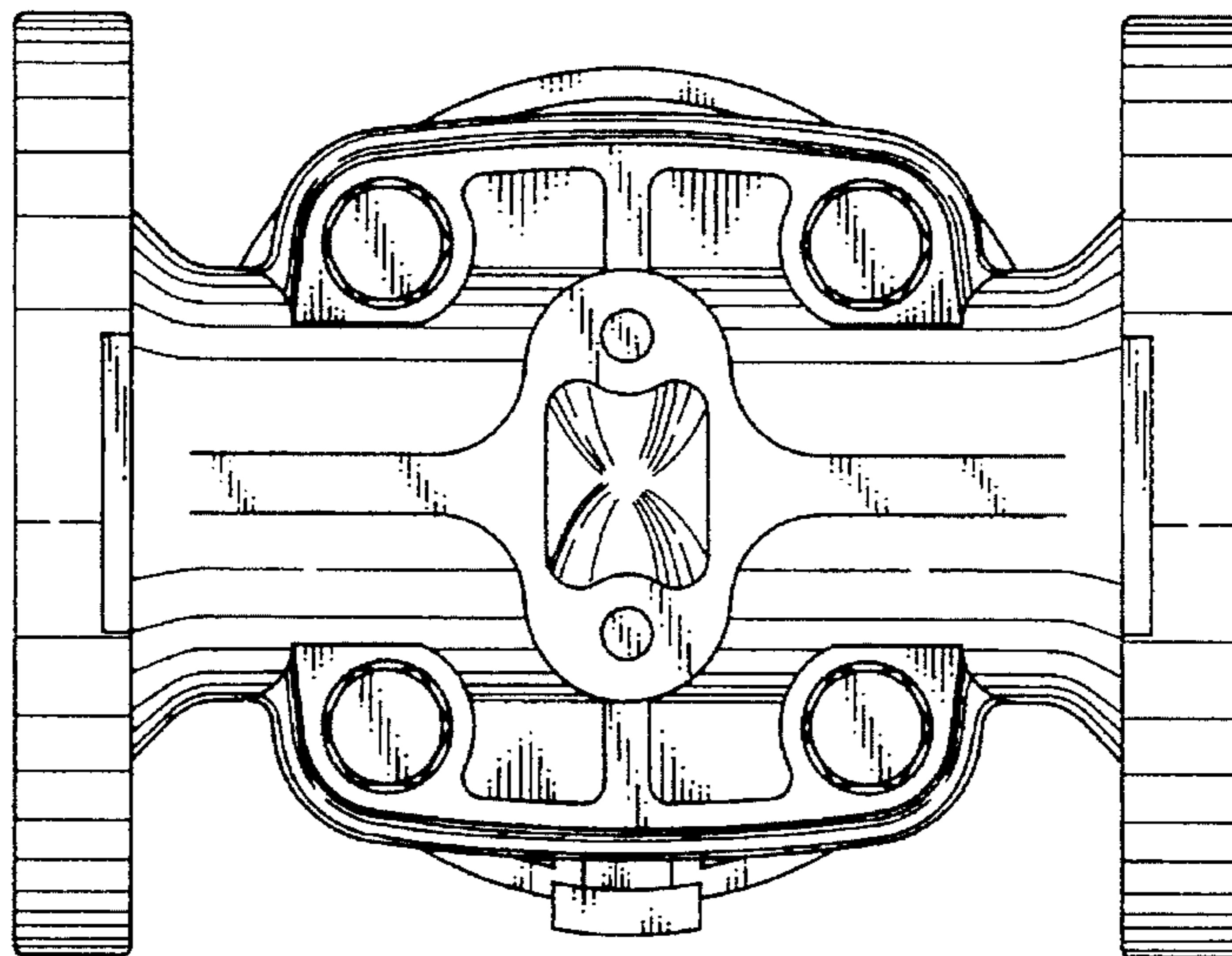


Fig. 6

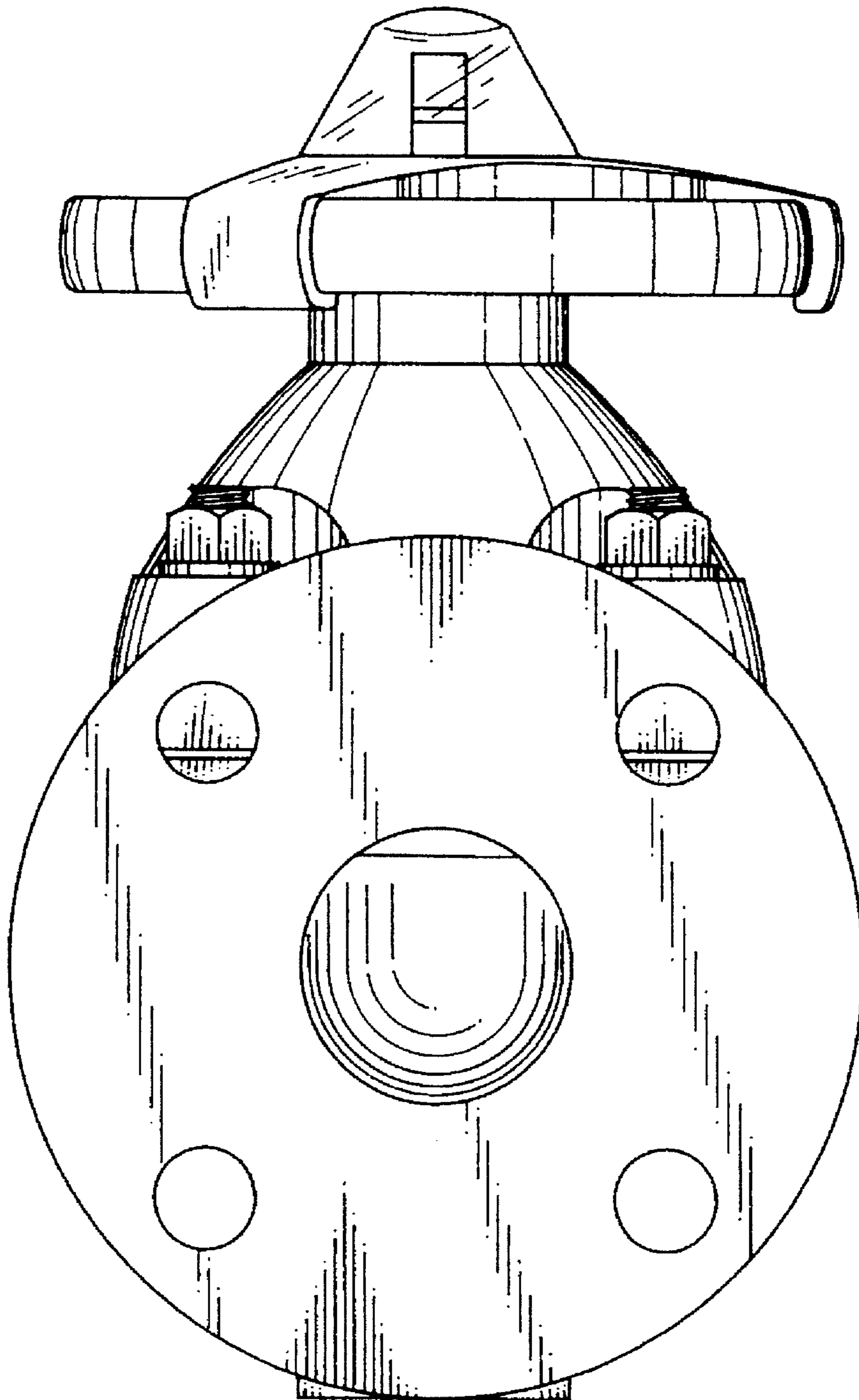


Fig.7

