



US00D370053S

# United States Patent [19] Hill et al.

[11] Patent Number: **Des. 370,053**  
[45] Date of Patent: **\*\*May 21, 1996**

- [54] FAUCET BODY
- [75] Inventors: **Loran R. Hill**, Indianapolis; **Anthony G. Spangler**, Greensburg, both of Ind.
- [73] Assignee: **Masco Corporation of Indiana**, Indianapolis, Ind.
- [\*\*] Term: **14 Years**
- [21] Appl. No.: **30,837**
- [22] Filed: **Nov. 9, 1994**

512705 9/1979 Japan .  
628039 6/1984 Japan .  
689584 10/1986 Japan .

### OTHER PUBLICATIONS

Delta Faucet full line catalog showing Model 522BC, p. 10 (Admitted Prior Art).  
Price Pfister Society Finishes catalog, Model H43-128P (Admitted Prior Art).  
Kohler Catalog pp. 3-33C and 50 (Admitted Prior Art).  
German Magazine "Form" (Admitted Prior Art).  
Sweet's Catalog File (Admitted Prior Art).  
DELTA: Two-Handle Centerset Faucets For The Bath (Admitted Prior Art).  
Bulletin Des Dessins Et Modeles Internationaux-Fevrier 1982.  
Peerless catalog, Model 8620 (1984).  
Moen "Enduring Elegance" 1981 brochure showing Models 4220, 4320, 4695 and 4625, pp. 11 and 12.  
New Valley Faucets catalog, p. 4 (1985).

### Related U.S. Application Data

- [63] Continuation of Ser. No. 25,936, Jul. 18, 1994, abandoned.
- [52] U.S. Cl. .... **D23/241**
- [58] Field of Search ..... **D23/238-243, D23/250-258; 4/675-678; 137/801**

*Primary Examiner*—Stella Reid  
*Assistant Examiner*—Eric Watterson  
*Attorney, Agent, or Firm*—Myron B. Kapustij; Malcolm L. Sutherland

### [56] References Cited

#### U.S. PATENT DOCUMENTS

- D. 169,405 4/1953 Young .
- D. 192,003 12/1961 Young .
- D. 193,757 10/1962 Armstrong .
- D. 193,922 10/1962 Ross et al. .
- D. 200,042 1/1965 Mackay et al. .
- D. 200,390 2/1965 Staat et al. .
- D. 200,754 3/1965 Landell .
- D. 204,441 4/1966 Harvey et al. .
- D. 207,576 5/1967 Armstrong .
- D. 219,780 1/1971 Niemann .
- D. 229,495 12/1973 Landell .
- D. 258,518 3/1981 Thevenot .
- D. 258,520 3/1981 Thevenot .
- D. 258,521 3/1981 Thevenot .
- D. 258,522 3/1981 Thevenot .
- D. 260,677 9/1981 Thevenot .
- D. 284,499 7/1986 Yost .
- D. 286,561 11/1986 Yost .

(List continued on next page.)

#### FOREIGN PATENT DOCUMENTS

- 331450 6/1971 Japan .
- 383536 8/1974 Japan .
- 436228 11/1976 Japan .

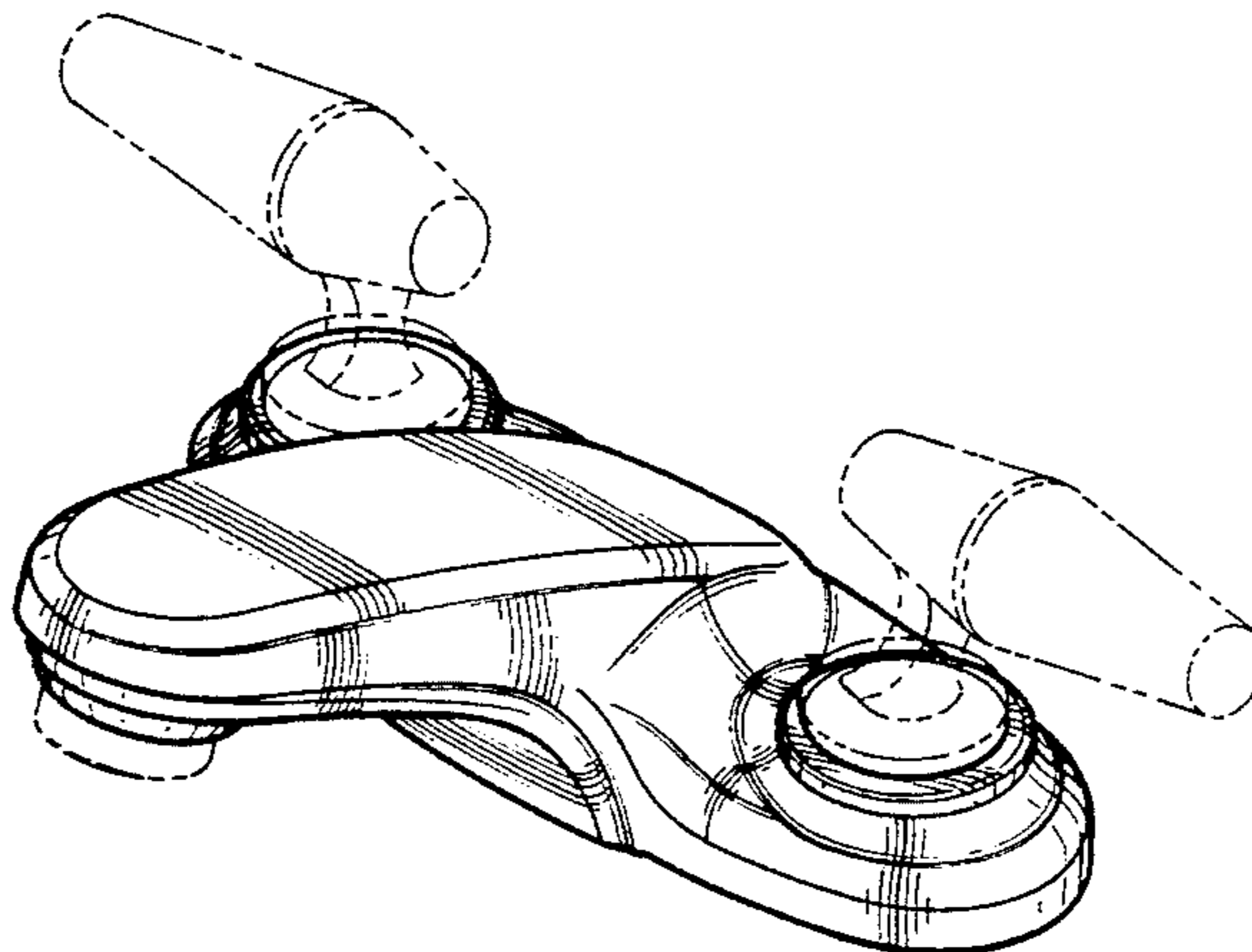
### [57] CLAIM

The ornamental design for a faucet body, as shown and described.

### DESCRIPTION

FIG. 1 is a perspective view of a faucet body taken from the top front showing our new design;  
FIG. 2 is a perspective view thereof taken from the top rear;  
FIG. 3 is a front elevational view thereof;  
FIG. 4 is a top plan view thereof;  
FIG. 5 is a left side elevational view thereof, the right side being a mirror image of the left side;  
FIG. 6 is a rear elevational view thereof; and,  
FIG. 7 is a bottom plan view thereof.  
The broken line representation of the handle and aerator in FIG. 1 is for purposes of illustration only and forms no part of the claimed design.

1 Claim, 4 Drawing Sheets



U.S. PATENT DOCUMENTS

D. 288,836	3/1987	Yost .	D. 315,786	3/1991	Pilolla et al. .
D. 288,837	3/1987	Yost .	D. 321,397	11/1991	Dannenberg .
D. 289,318	4/1987	Yost .	D. 323,549	1/1992	Haug et al. .
D. 291,234	8/1987	Bergmann et al. .	D. 323,877	2/1992	Haug et al. .
D. 291,235	8/1987	Bergmann et al. .	D. 324,723	3/1992	Chretien .
D. 293,599	1/1988	Bergmann et al. .	D. 325,423	4/1992	Kolada et al. .
D. 293,816	1/1988	Bergmann et al. .	D. 329,685	9/1992	Brattoli et al. .
D. 298,275	10/1988	Hill .	D. 341,873	11/1993	Allen et al. .
D. 299,518	1/1989	Yost .	D. 345,781	4/1994	Bollenbacher .
D. 300,653	4/1989	Paul .	D. 346,852	5/1994	Hill ..... D23/241
D. 301,162	5/1989	Oberdörfer .	D. 347,466	5/1994	Kolada et al. .
D. 309,655	7/1990	Reinecke .	D. 348,508	7/1994	Yost .
D. 310,257	8/1990	Spangler .	D. 348,923	7/1994	Yost .
D. 313,646	1/1991	Selberg et al. .	D. 349,153	7/1994	Sauter et al. .

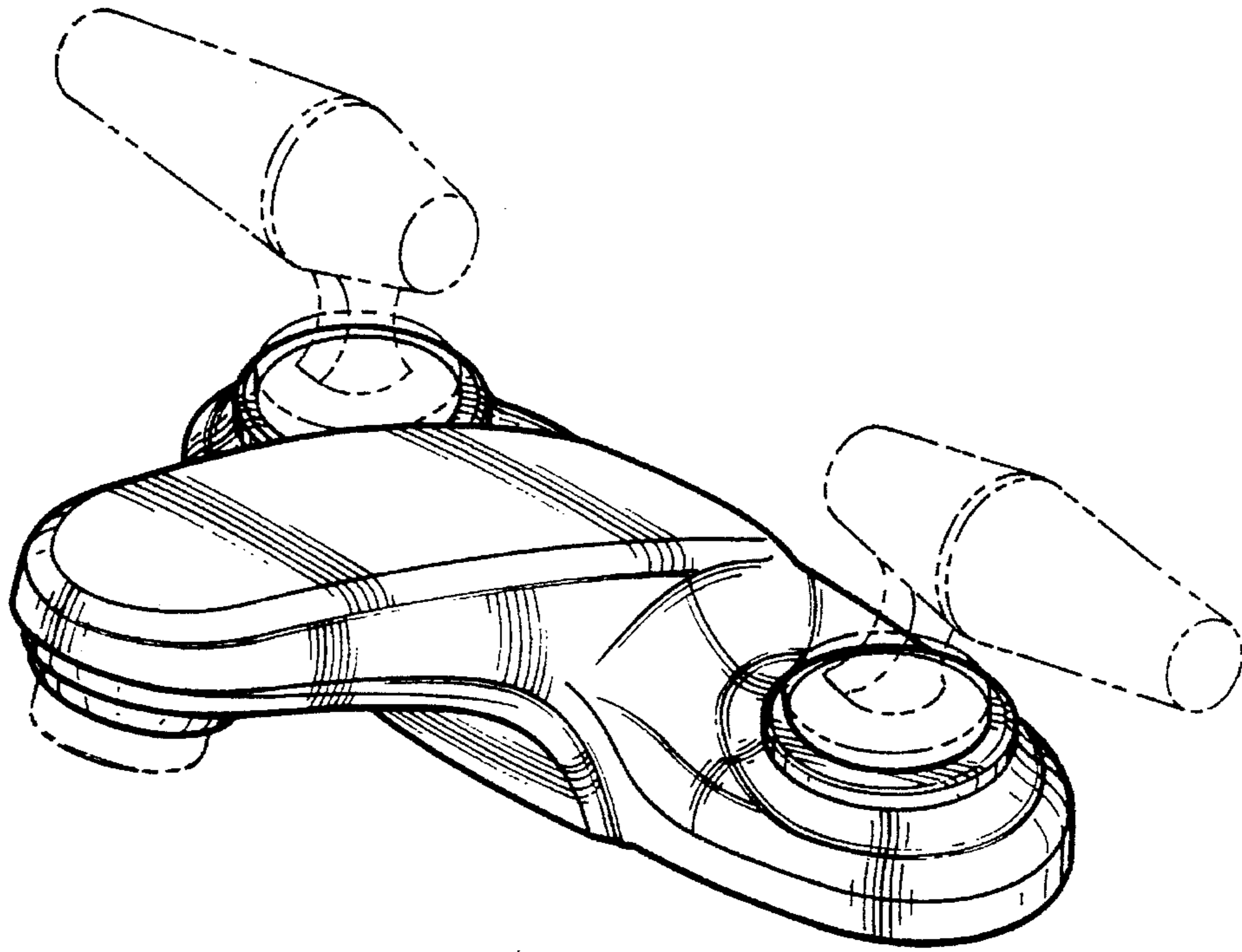


Fig-1

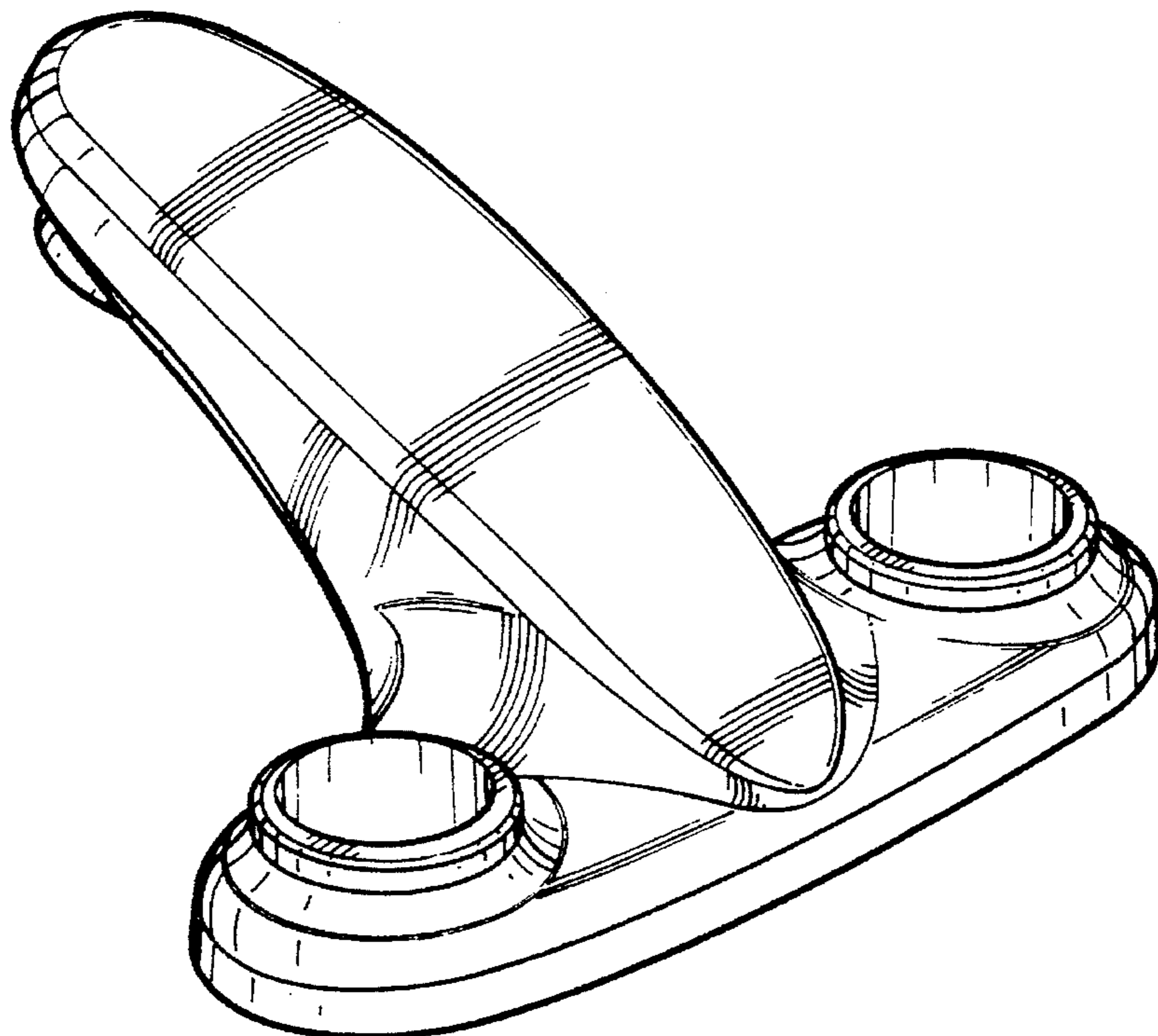


Fig-2

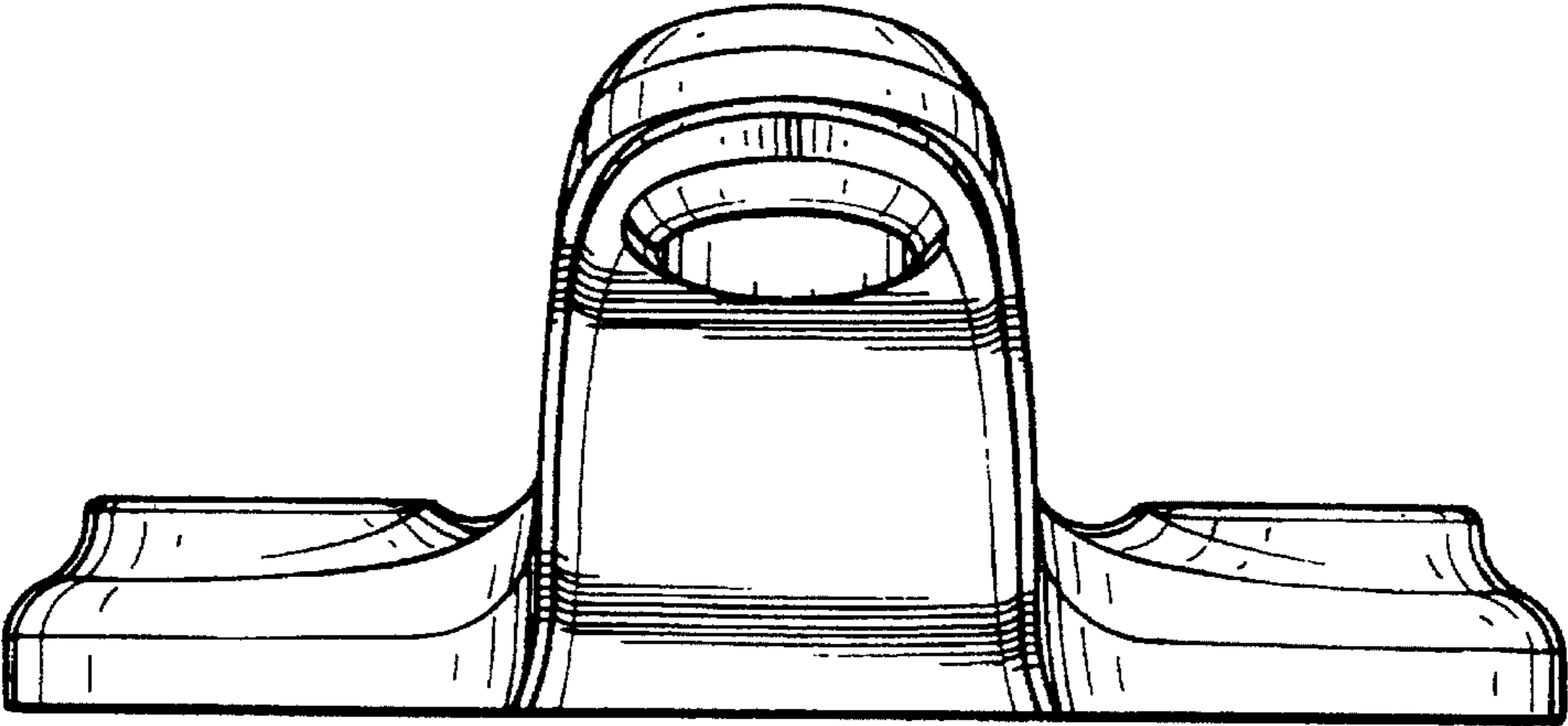


Fig-3

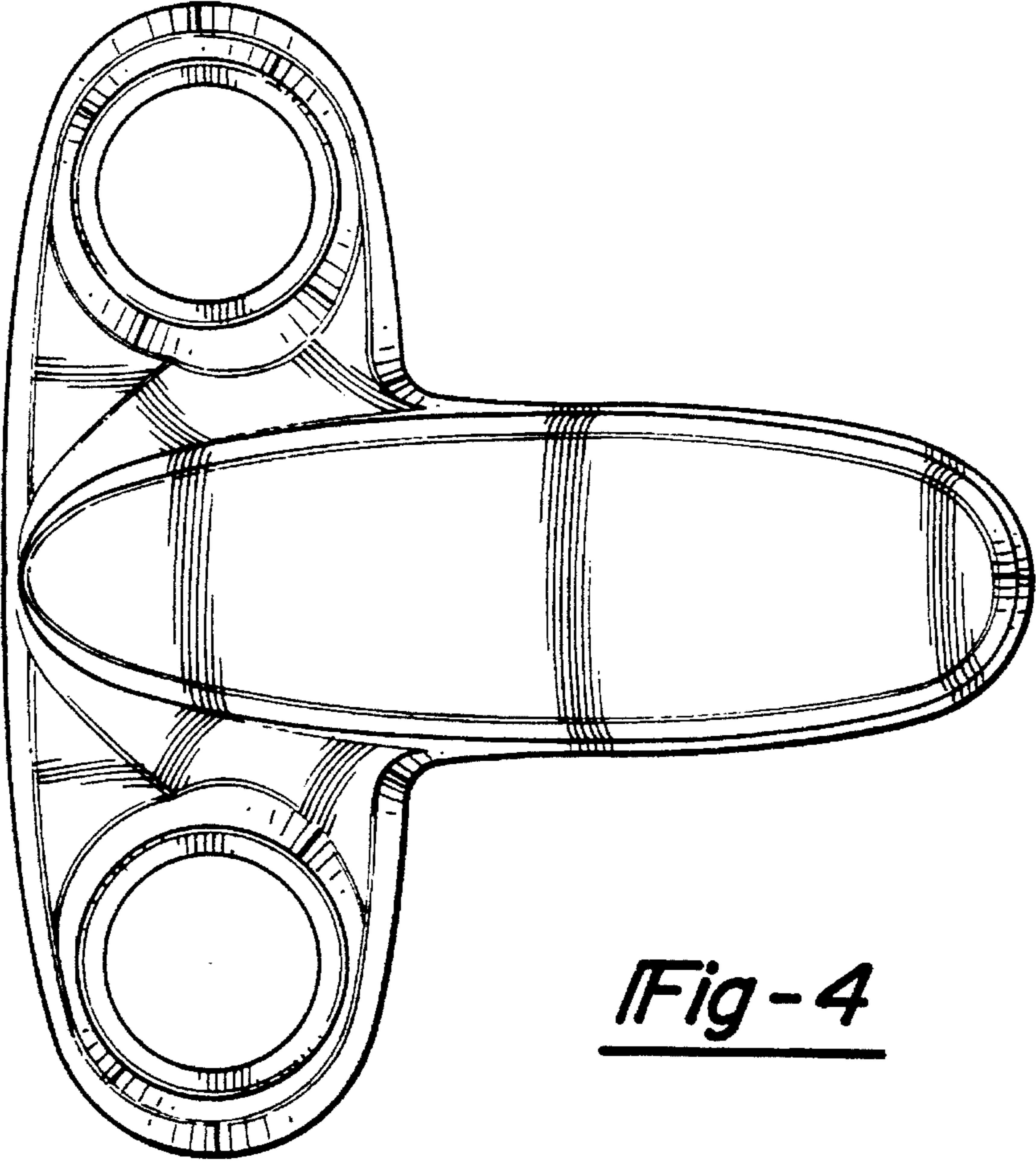


Fig-4

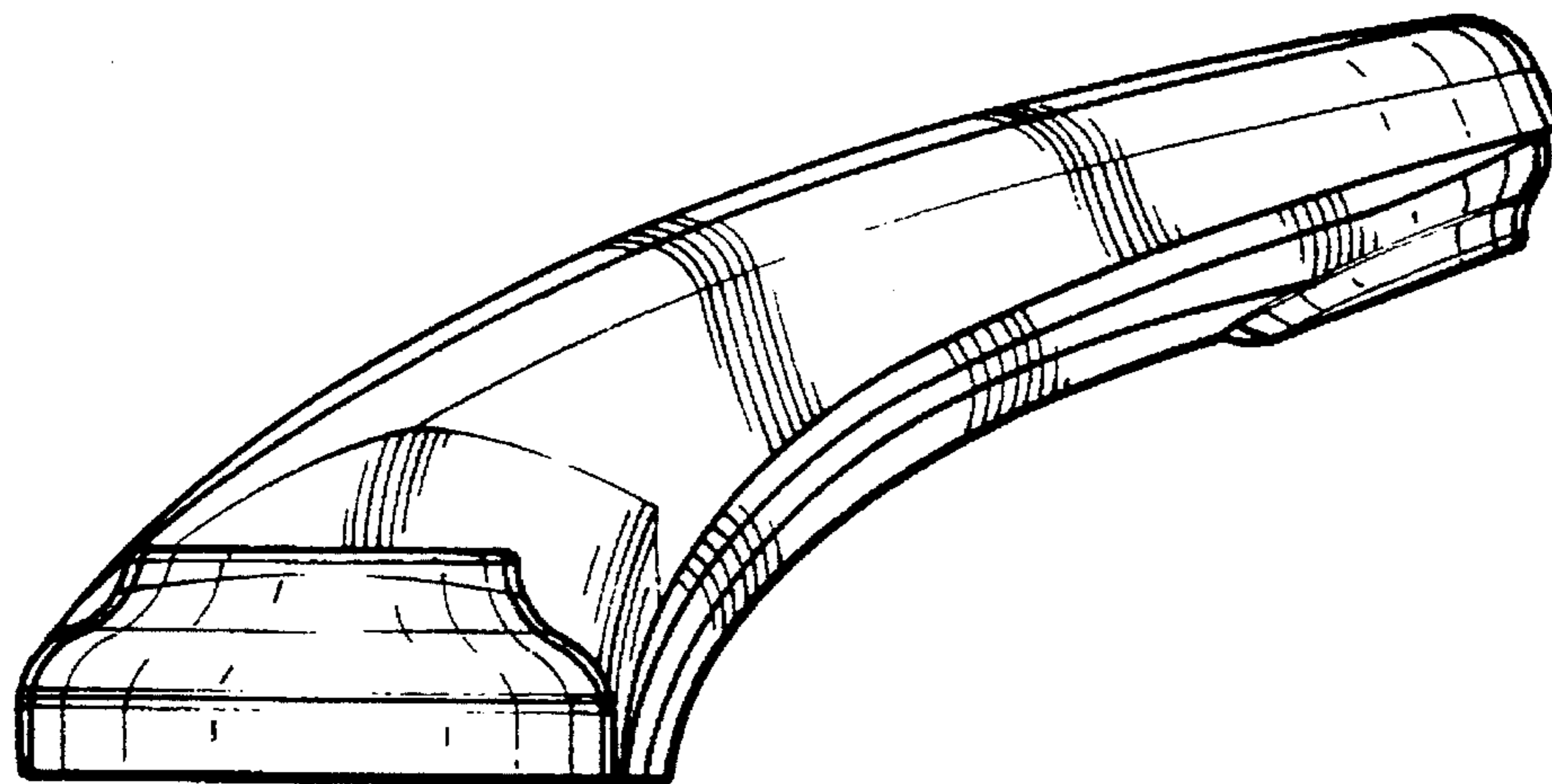


Fig - 5

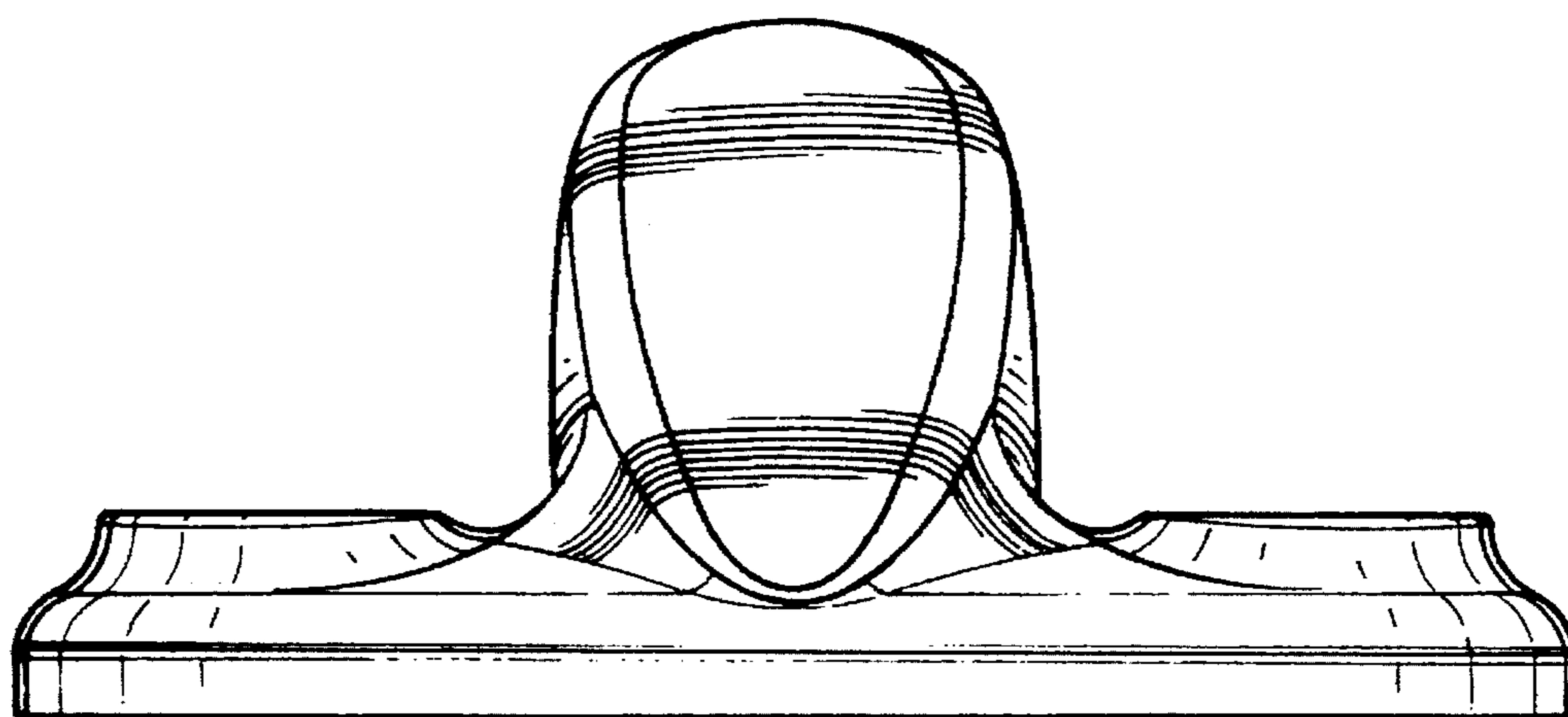


Fig - 6

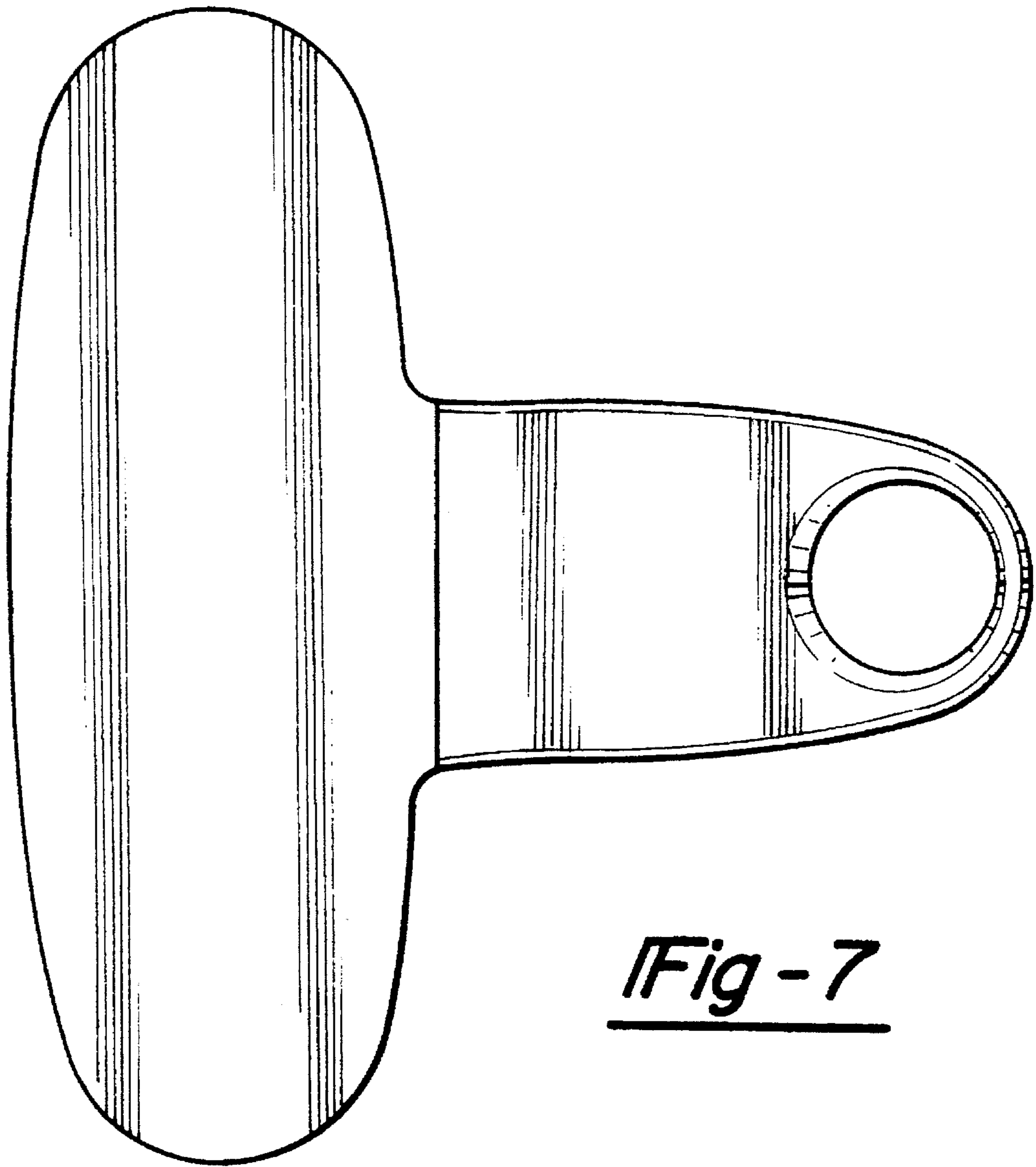


Fig - 7