



US00D370051S

# United States Patent [19]

[11] Patent Number: **Des. 370,051**

Samson et al.

[45] Date of Patent: **\*\*May 21, 1996**

[54] **FILTER FUNNEL**

[75] Inventors: **Jeffrey T. Samson**, Boulder; **Roberta L. Callaghan**; **Michael A. Cammack**, both of Fort Collins; **Joseph W. Cacka**, Berthoud; **James M. Jennings**, Fort Collins, all of Colo.

[73] Assignee: **Teledyne Industries, Inc.**, Fort Collins, Colo.

[\*\*] Term: **14 Years**

[21] Appl. No.: **28,699**

[22] Filed: **Sep. 20, 1994**

[52] U.S. Cl. .... **D23/209**; D7/400; D7/700

[58] Field of Search ..... D7/700, 400; 141/331-345, 141/297-300; 210/282, 287, 470, 472, 473-476; D23/207, 209

- 4,483,769 11/1984 Sherman .
- 4,605,499 8/1986 Wise .
- 4,606,823 8/1986 Lucas, III .
- 4,659,467 4/1987 Spearman .
- 4,711,718 12/1987 Nelson, Jr. .
- 4,749,481 6/1988 Wheatley .
- 4,753,728 6/1988 Vanderbilt et al. .
- 4,769,144 9/1988 Nohren, Jr. .
- 4,773,997 9/1988 Butte .
- 4,776,956 10/1988 Gannaway .
- 4,814,078 3/1989 Stern et al. .
- 4,882,052 11/1989 Peranio .
- 4,969,996 11/1990 Hankammer .
- 5,076,922 12/1991 DeAre .
- 5,102,543 7/1992 Burroughs .
- 5,122,270 6/1992 Ruger et al. .
- 5,215,659 6/1993 Ando .
- 5,252,206 10/1993 Gonzalez .
- 5,269,922 12/1993 Lin .

Primary Examiner—Terry A. Wallace  
Attorney, Agent, or Firm—Lee R. Osman; Holland & Hart

[56] **References Cited**

**U.S. PATENT DOCUMENTS**

- D. 267,536 1/1983 Findlay ..... D7/700 X
- D. 338,704 8/1993 Garrigos Ruiz ..... D23/209
- 3,746,174 7/1973 Watanabe .
- 3,747,767 7/1973 Hankammer .
- 3,785,497 1/1974 Giffard .
- 3,799,352 3/1974 McClive .
- 3,879,292 4/1975 McClive .
- 3,950,253 4/1976 Stern .
- 4,061,573 12/1977 Biron .
- 4,065,392 12/1977 Gammon .
- 4,107,046 8/1978 Corder .
- 4,214,993 7/1980 Forsythe et al. .
- 4,283,283 8/1981 Zimmerman .
- 4,306,971 12/1981 Hankammer .
- 4,378,293 3/1983 Duke .
- 4,419,235 12/1983 Sway .
- 4,436,623 3/1984 Cullen et al. .

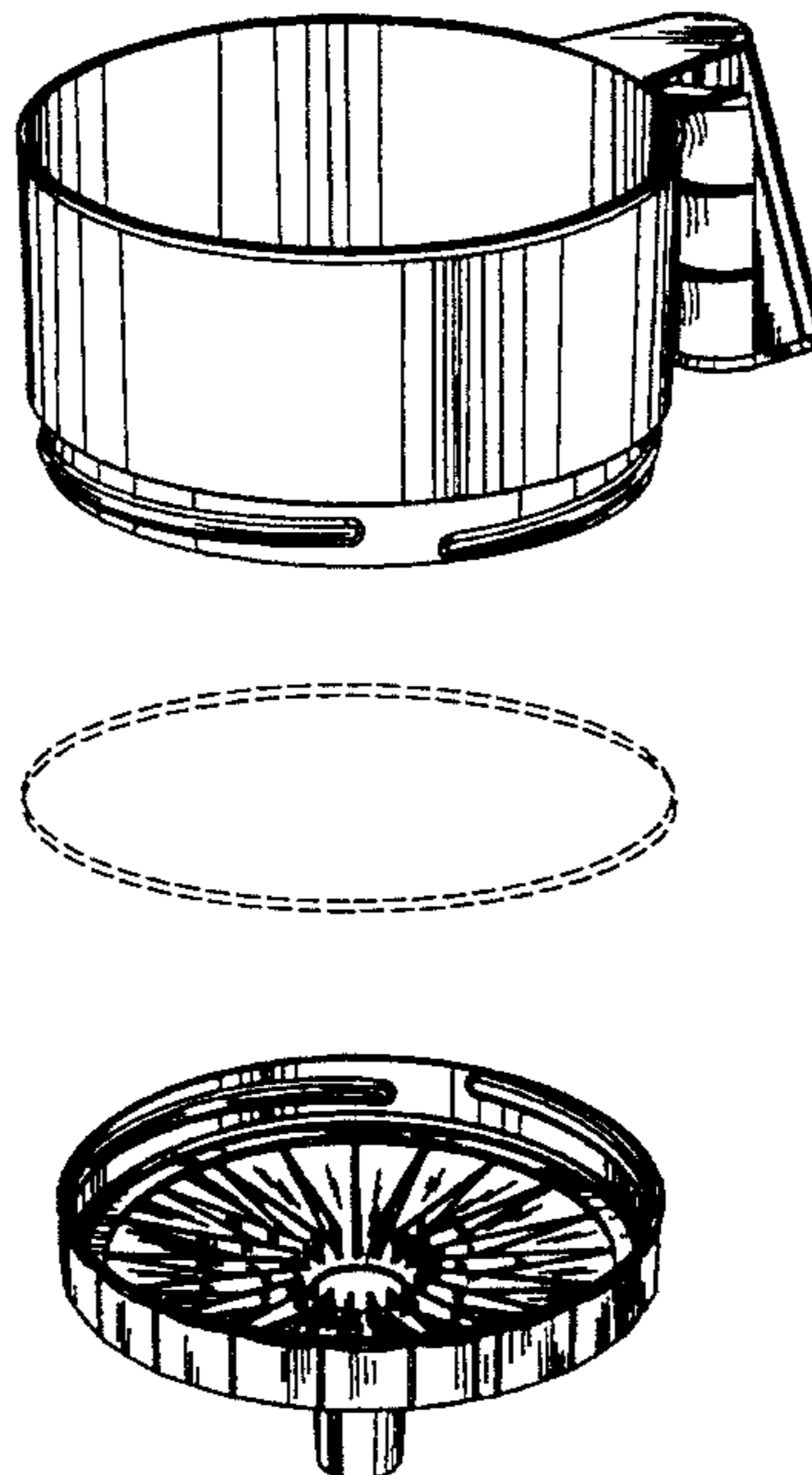
[57] **CLAIM**

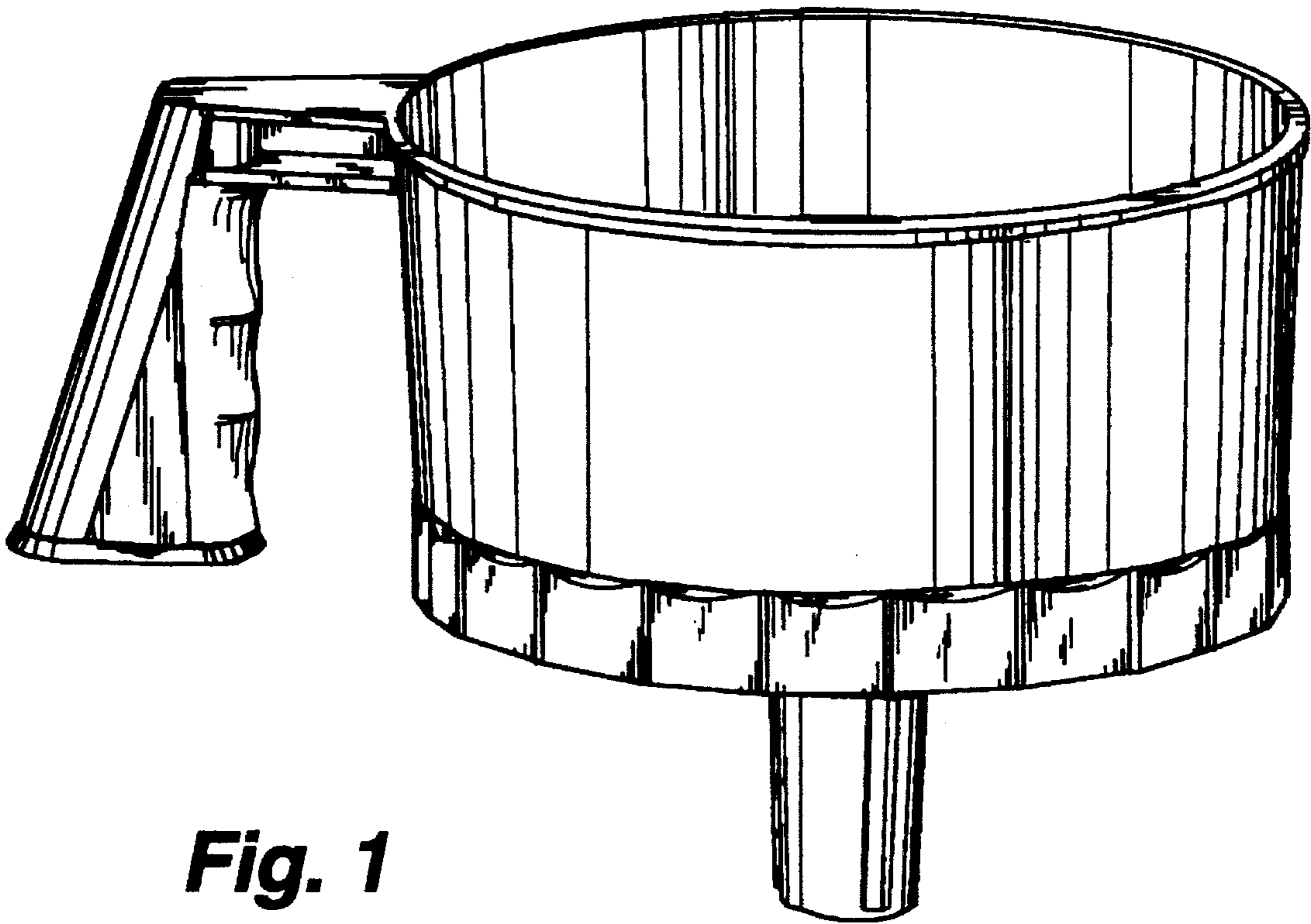
The ornamental design for a filter funnel, as shown and described.

**DESCRIPTION**

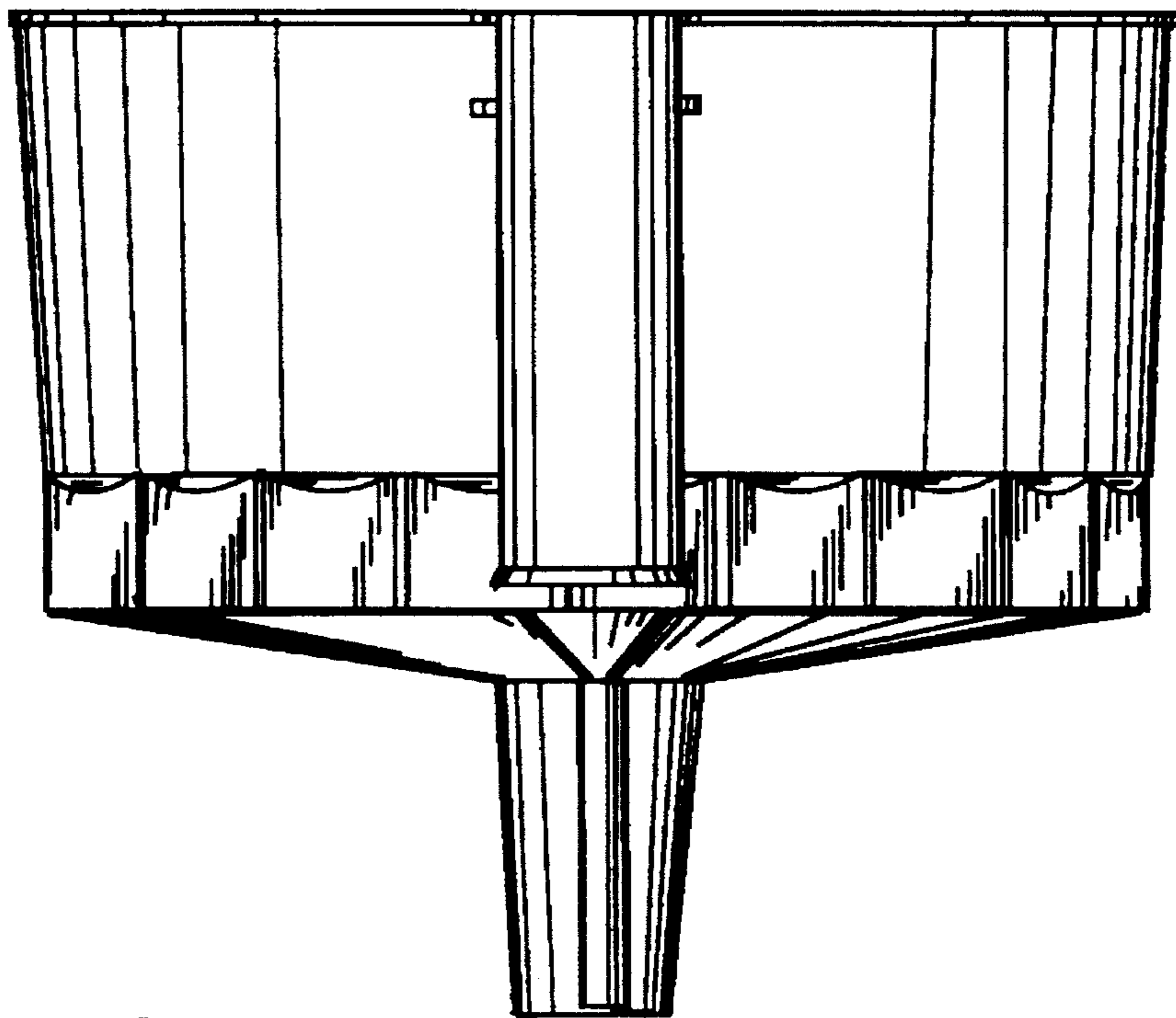
FIG. 1 is a perspective view of a filter funnel embodying our new design;  
FIG. 2 is a left side elevational view thereof;  
FIG. 3 is a top plan view thereof;  
FIG. 4 is a front elevational view thereof; the rear view being a mirror image thereof;  
FIG. 5 is a bottom plan view thereof;  
FIG. 6 is a right side elevational view thereof; and,  
FIG. 7 is an exploded perspective view thereof, the filter shown in broken lines for illustrative purposes only and forming no part of the claimed design.

**1 Claim, 4 Drawing Sheets**

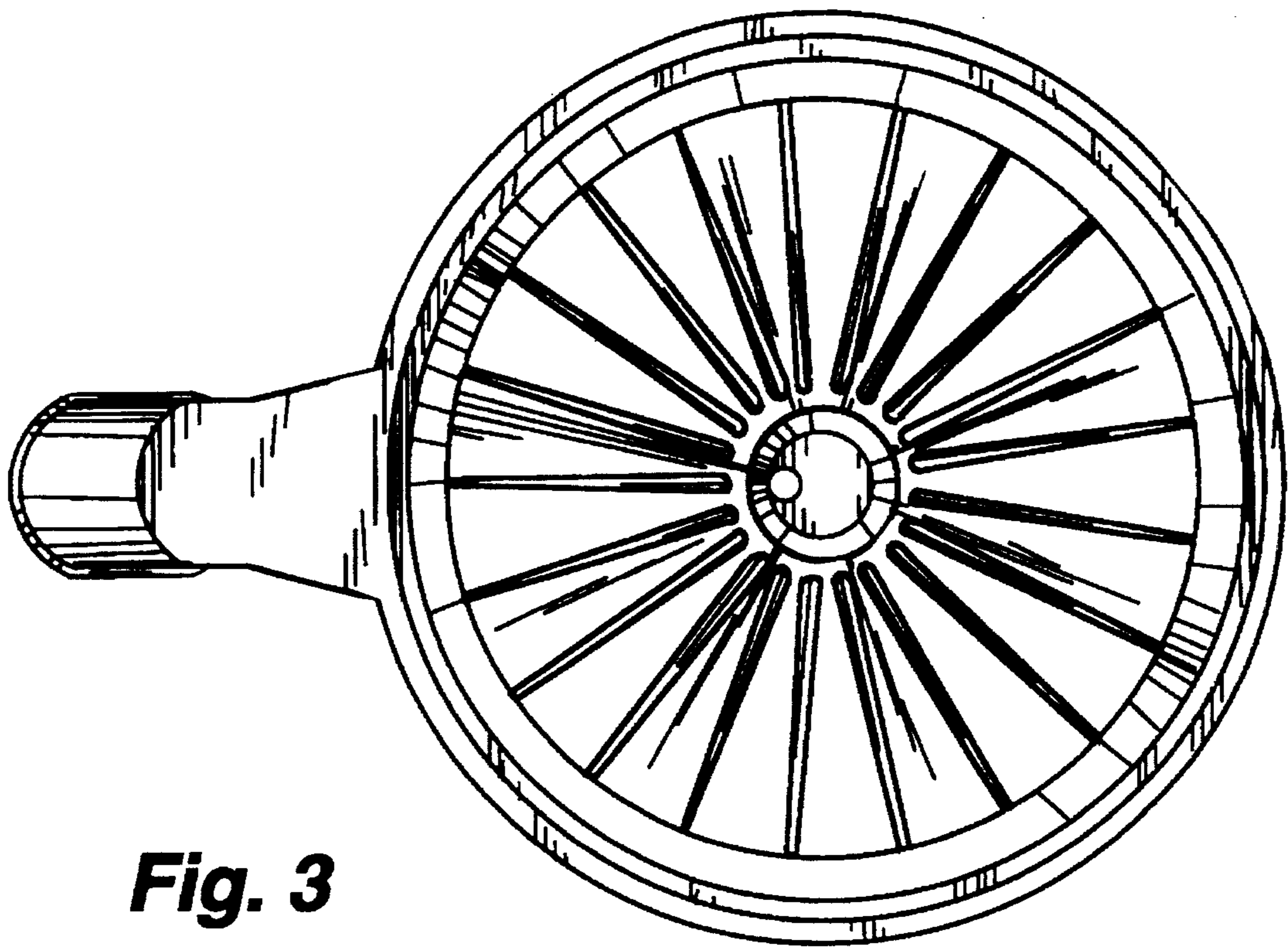




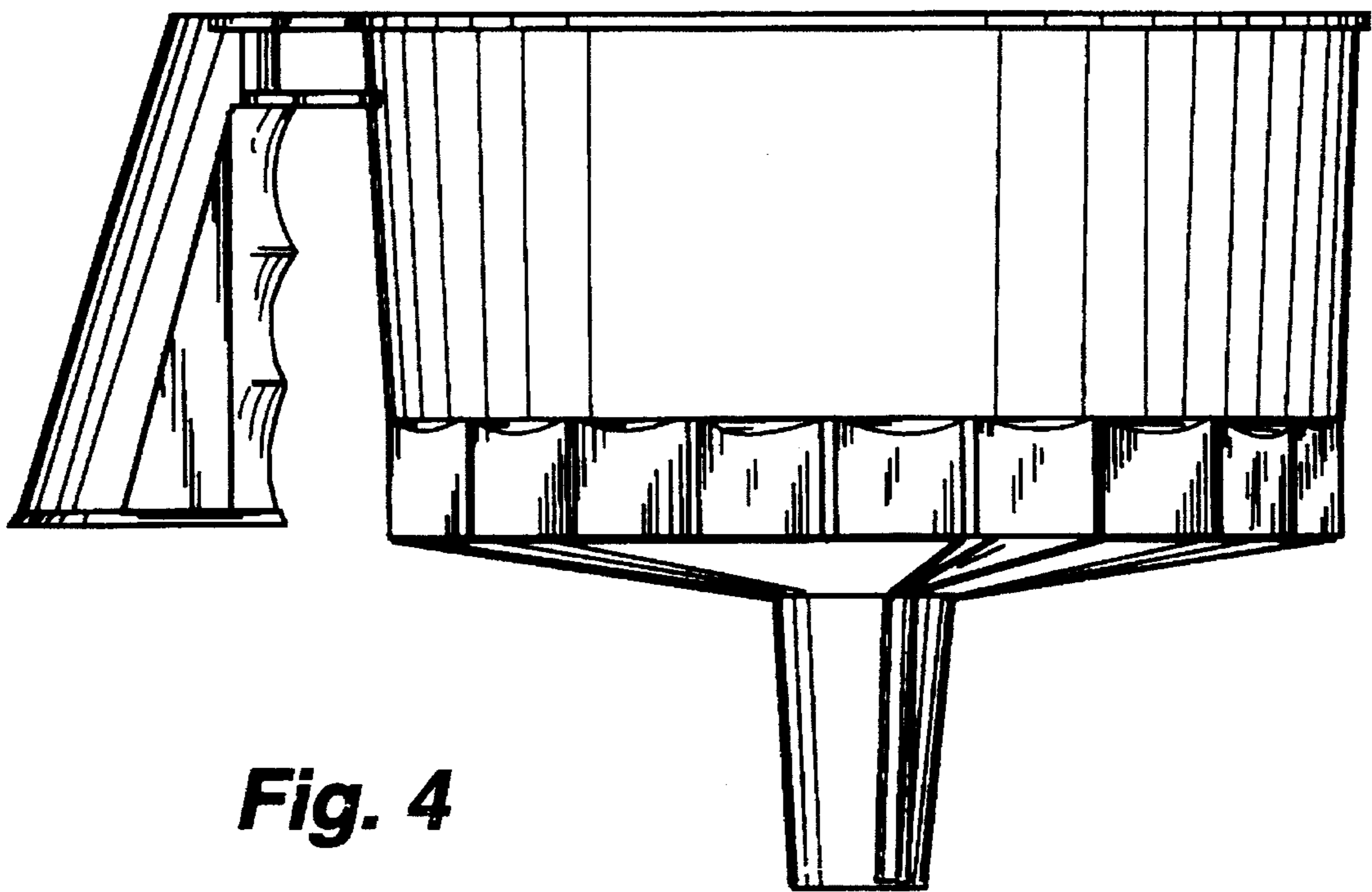
**Fig. 1**



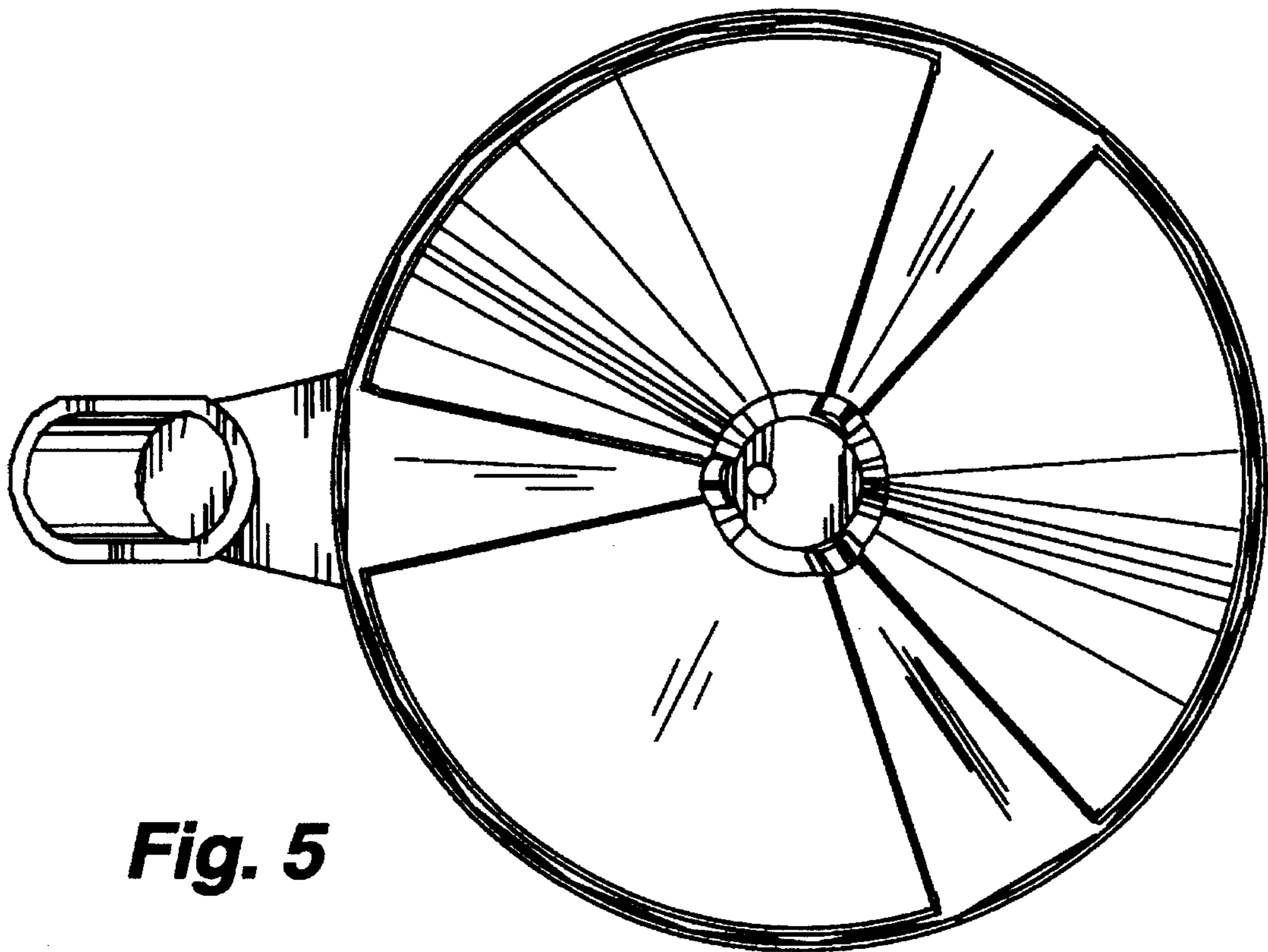
**Fig. 2**



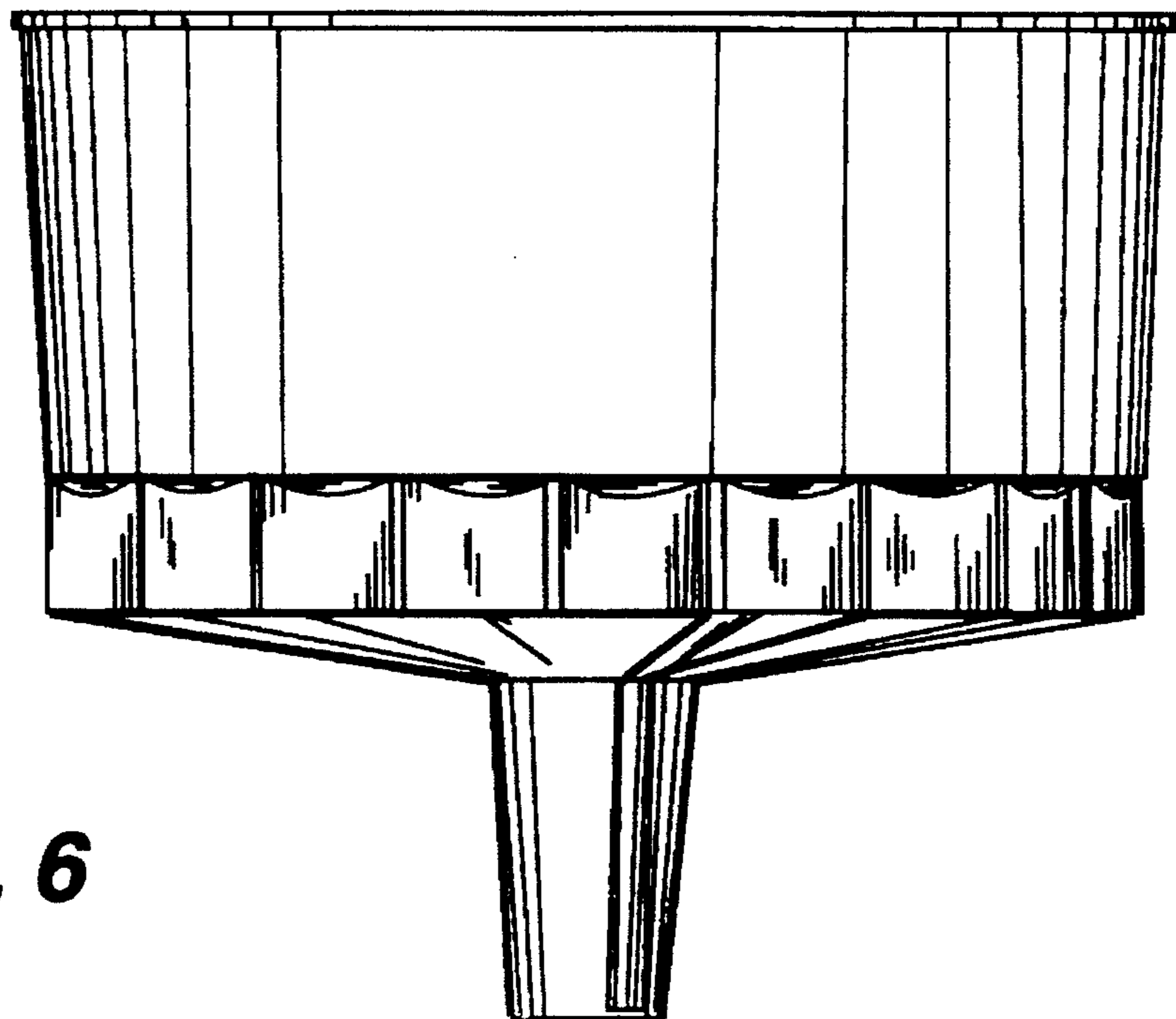
**Fig. 3**



**Fig. 4**



**Fig. 5**



**Fig. 6**

**Fig. 7**

