



US00D370047S

# United States Patent [19] Eberhard

[11] Patent Number: **Des. 370,047**

[45] Date of Patent: **\*\*May 21, 1996**

[54] **COMBINED RECHARGABLE FISHING REEL AND ROD**

[76] Inventor: **Jerrold E. Eberhard**, 3662 Rodell Rd., Columbus, Ohio 43232

[\*\*] Term: **14 Years**

[21] Appl. No.: **20,741**

[22] Filed: **Mar. 31, 1994**

[52] U.S. Cl. .... **D22/138**

[58] Field of Search ..... D22/138, 137, D22/139, 140; 43/26.1, 21; 242/226, 225, 223, 238, 250, 263, 252, 257

[56] **References Cited**

**U.S. PATENT DOCUMENTS**

D. 267,580	1/1983	Price	.....	D22/138
D. 273,972	5/1984	Fee	.....	D22/138
3,030,046	4/1962	Markoff-Moghadam	.....	43/21
3,252,239	5/1966	Moeller	.....	242/225 X
3,697,011	10/1972	Christensen et al.	.....	242/225

4,515,324	5/1985	Barton	.....	43/21 X
4,634,072	1/1987	Stealy	.....	43/21 X
4,739,944	4/1988	Atwell	.....	242/225
5,004,181	4/1991	Fowles	.....	43/26.1 X

Primary Examiner—Doris V. Coles

[57] **CLAIM**

The ornamental design for a combined rechargeable fishing reel and rod, as shown and described.

**DESCRIPTION**

FIG. 1 is a front elevational view of the rechargeable fishing reel showing my new design;  
FIG. 2 is a rear elevational view thereof;  
FIG. 3 is a left side elevational view thereof;  
FIG. 4 is a right side elevational view thereof;  
FIG. 5 is a top plan view thereof; and,  
FIG. 6 is a bottom plan view thereof; and,  
FIG. 7 is an isometric view showing a use thereof.

**1 Claim, 4 Drawing Sheets**

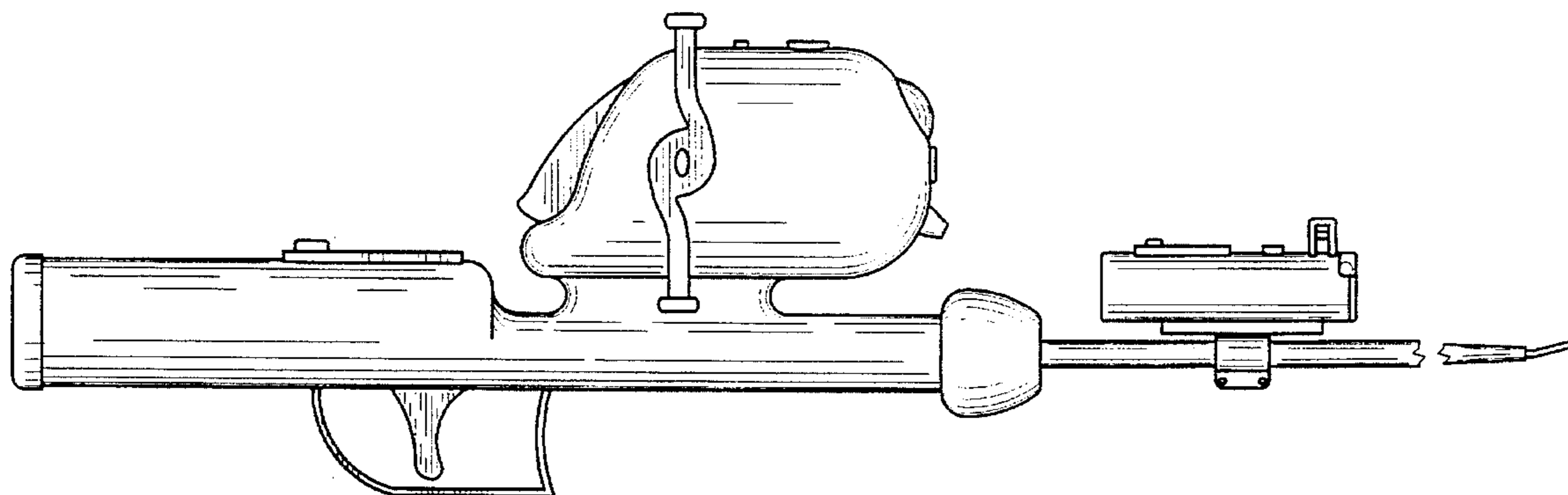


FIG. 1

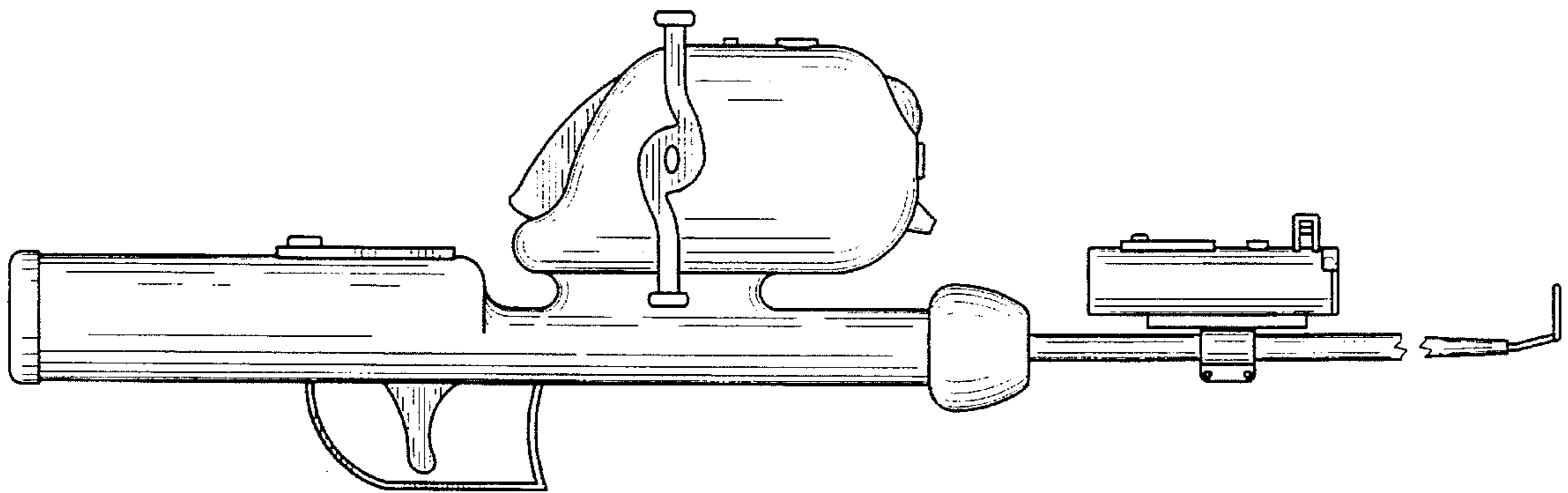


FIG. 2

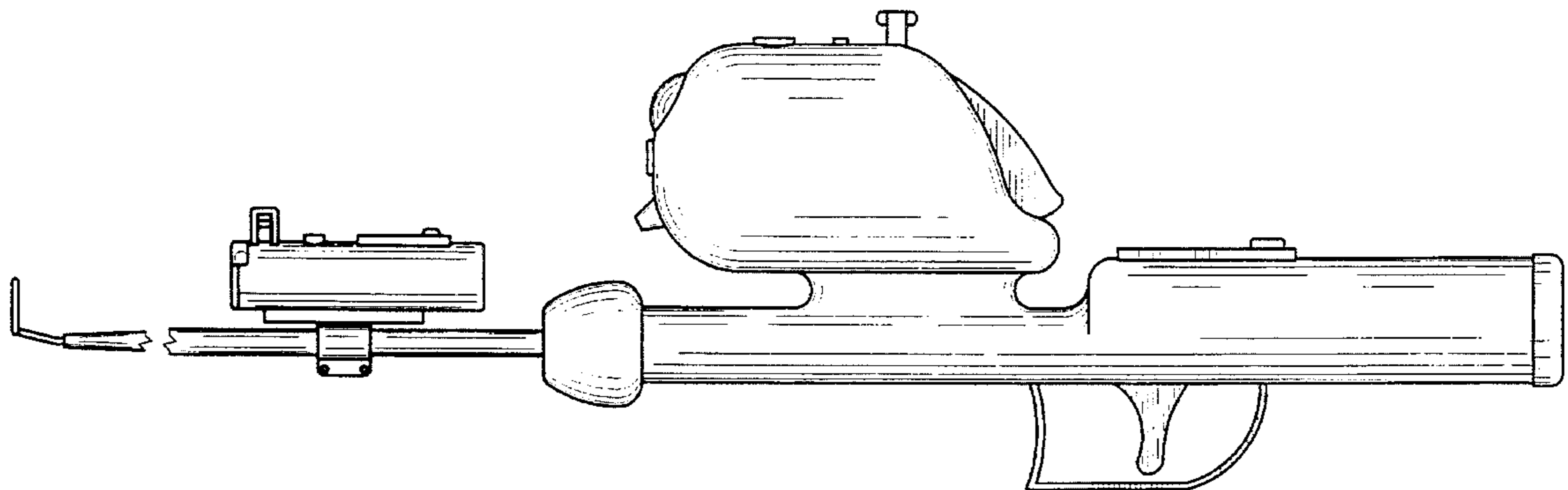


FIG. 3

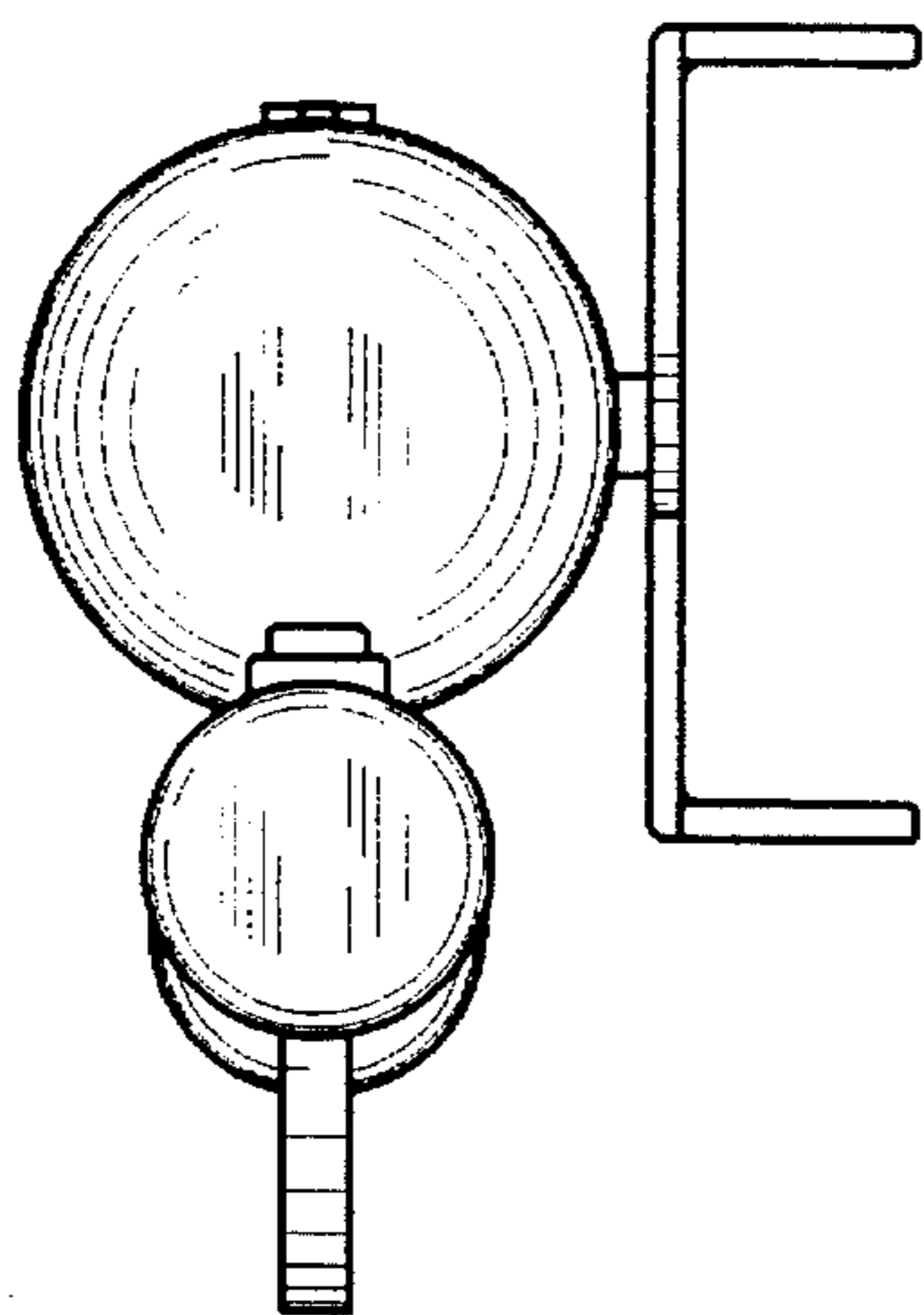


FIG. 4

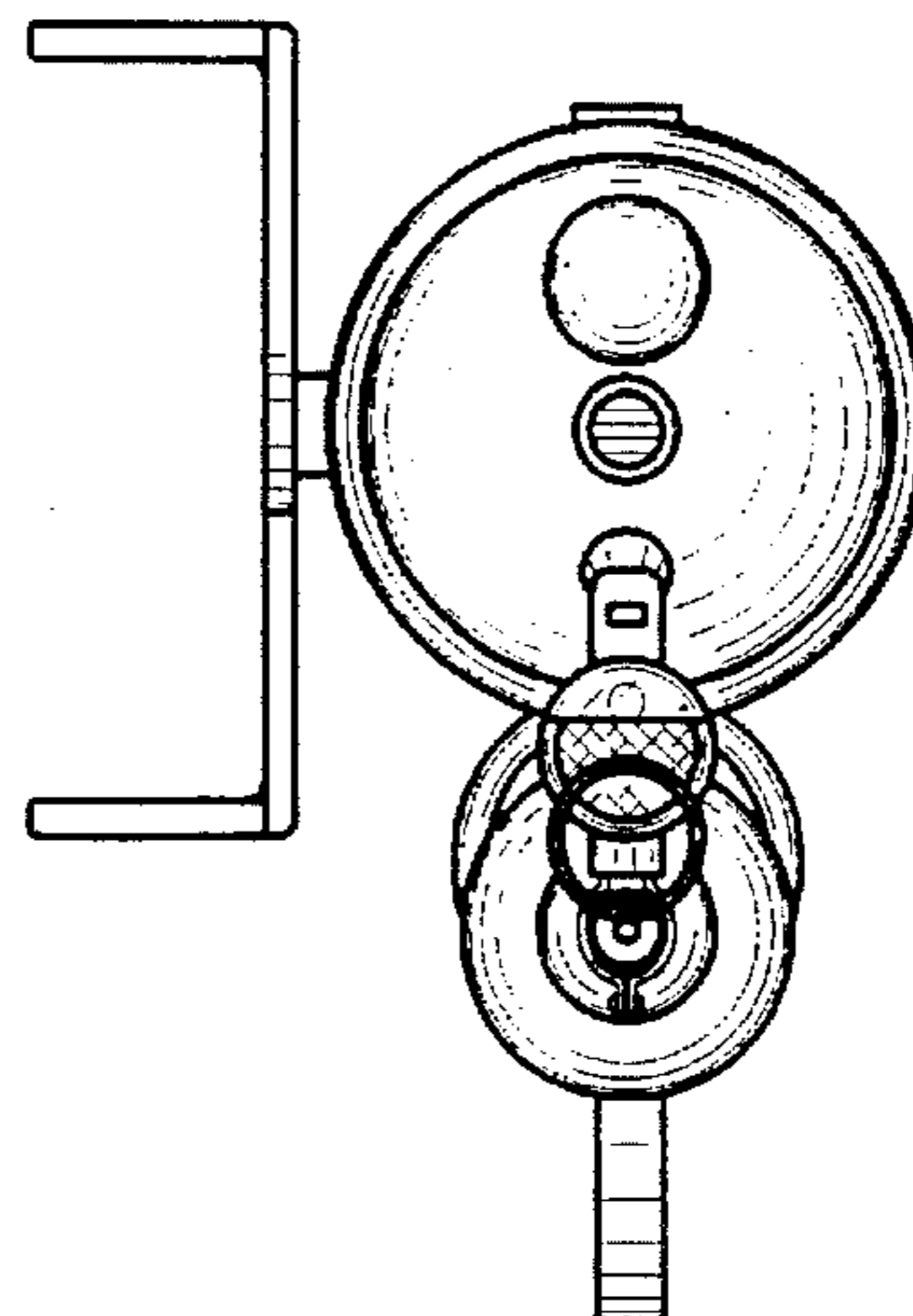


FIG. 5

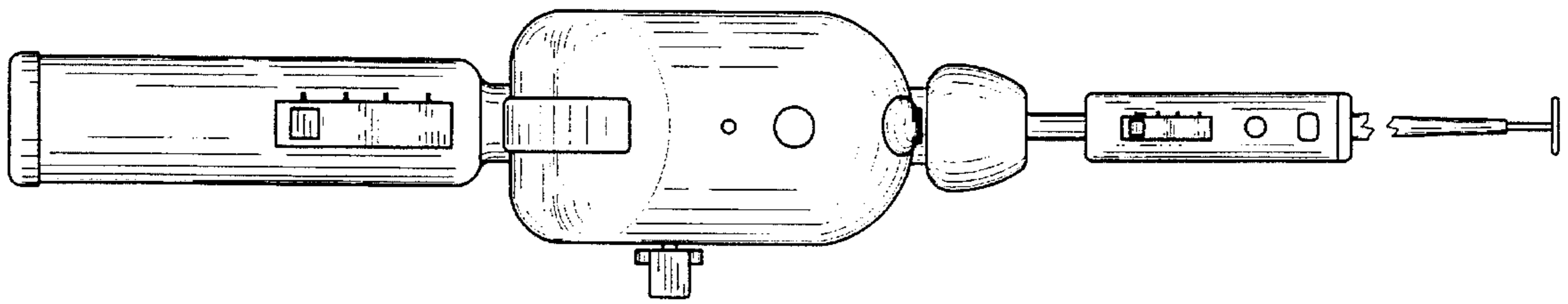
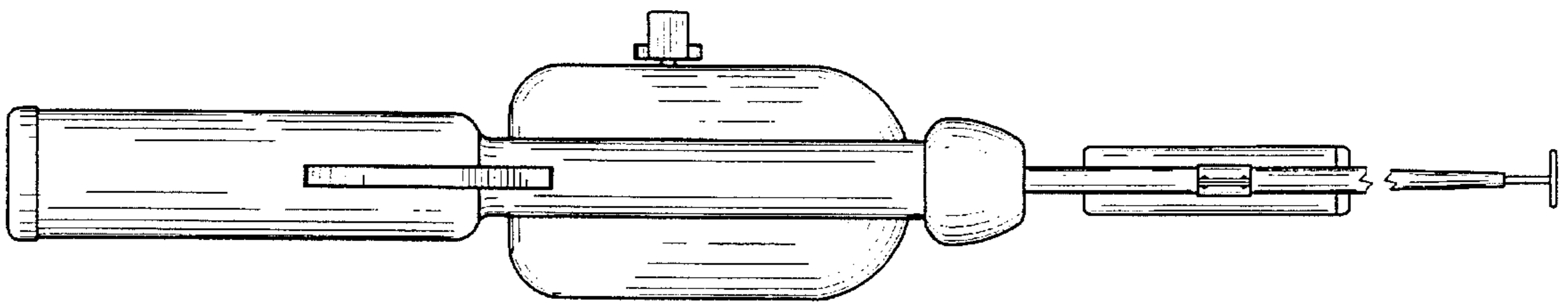


FIG. 6



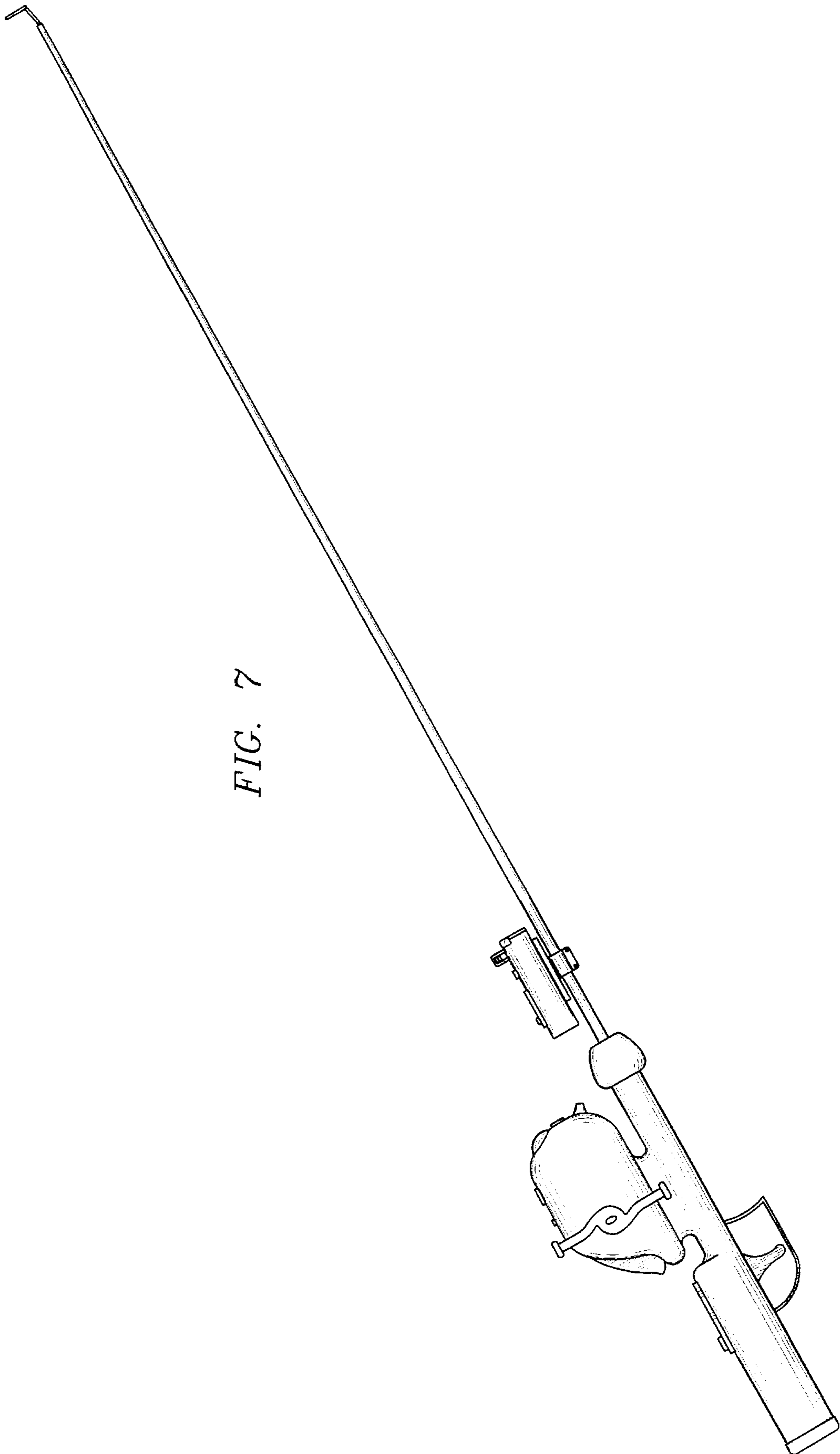


FIG. 7