



US00D370041S

United States Patent [19]

[11] Patent Number: **Des. 370,041**

Thomas

[45] Date of Patent: ****May 21, 1996**

[54] **ADJUSTABLE HEIGHT GOLF TEE**

5,052,689 10/1991 Lettrich 273/202 X

[75] Inventor: **Carlisle A. Thomas**, Kalamazoo, Mich.

Primary Examiner—Ted Shooman

Assistant Examiner—Cheri Cohen

[73] Assignee: **Thomas Industries, Inc.**, Kalamazoo, Mich.

Attorney, Agent, or Firm—Flynn, Thiel, Boutell & Tanis

[**] Term: **14 Years**

[57] **CLAIM**

The ornamental design for an adjustable height golf tee, as shown and described.

[21] Appl. No.: **37,963**

DESCRIPTION

[22] Filed: **Apr. 25, 1995**

[52] U.S. Cl. **D21/208**

FIG. 1 is a perspective view of an adjustable height golf tee showing my new design;

[58] Field of Search D21/208, 234;
273/32.5, 33, 32 A, 32 B, 32 F, 162 C,
162 D, 162 E, 162 F, 202-212

FIG. 2 is a front elevational view thereof, the opposite side being identical;

FIG. 3 is a left side elevational view thereof, the opposite side being identical;

[56] **References Cited**

U.S. PATENT DOCUMENTS

D. 301,046	5/1989	Morabeto	D21/208
D. 360,006	7/1995	Samples	D21/208
1,625,911	4/1927	Richards	273/202
3,114,557	12/1963	Cabot	273/202
3,408,079	10/1968	Kirikos	273/202
4,998,732	3/1991	Gallant	273/212

FIG. 4 is a top plan view thereof; and,

FIG. 5 is a bottom plan view thereof.

The broken lines showing of the ground and golf ball in FIG. 2 is for illustrative purposes only and forms no part of the claimed design.

1 Claim, 2 Drawing Sheets

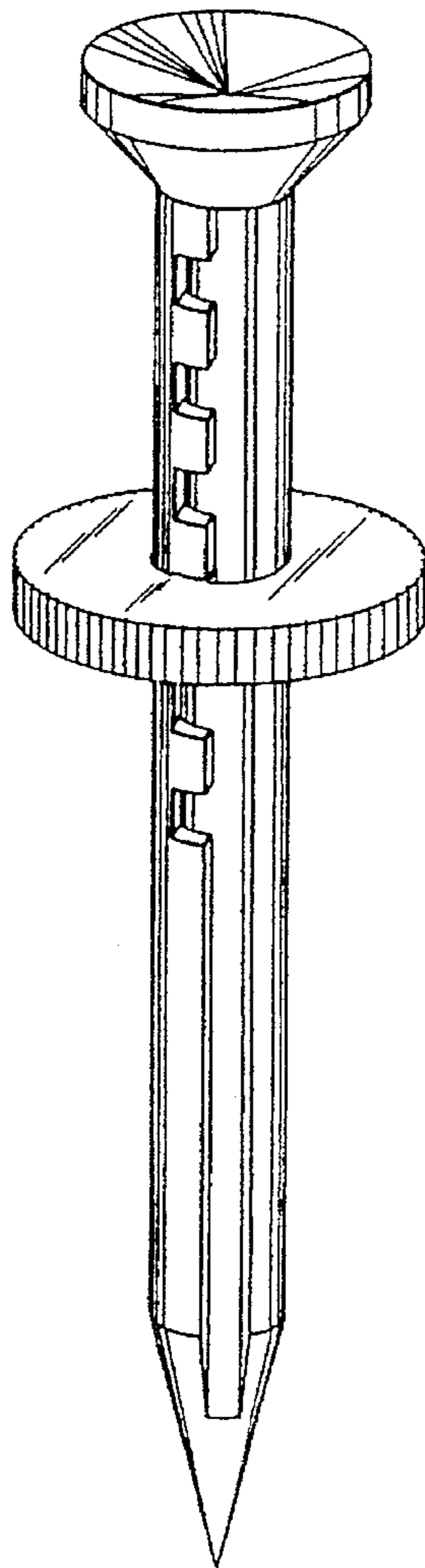


FIG. 1

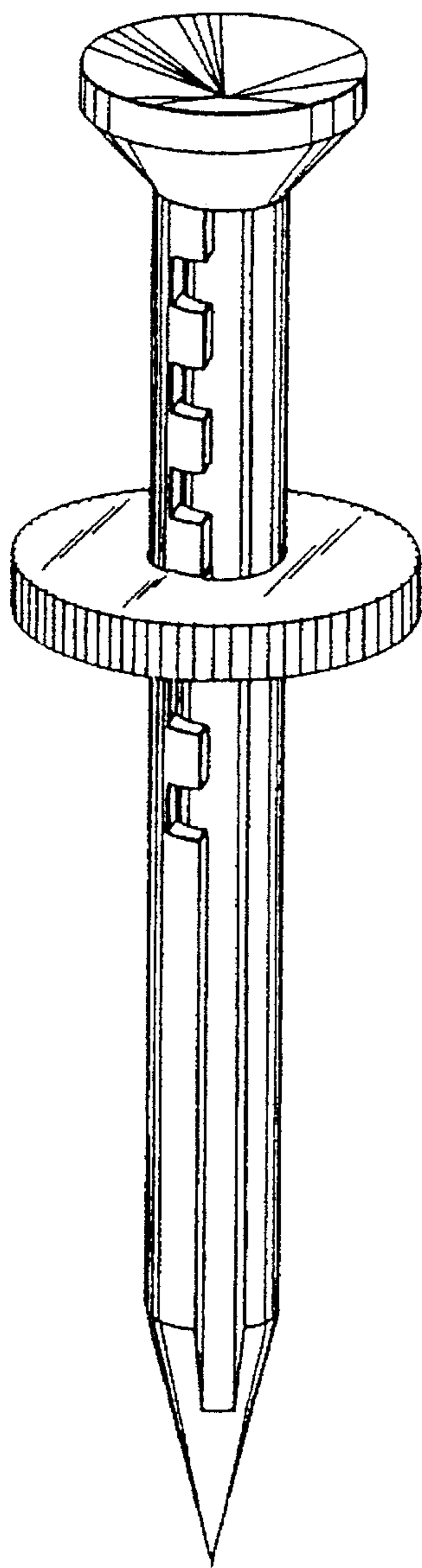
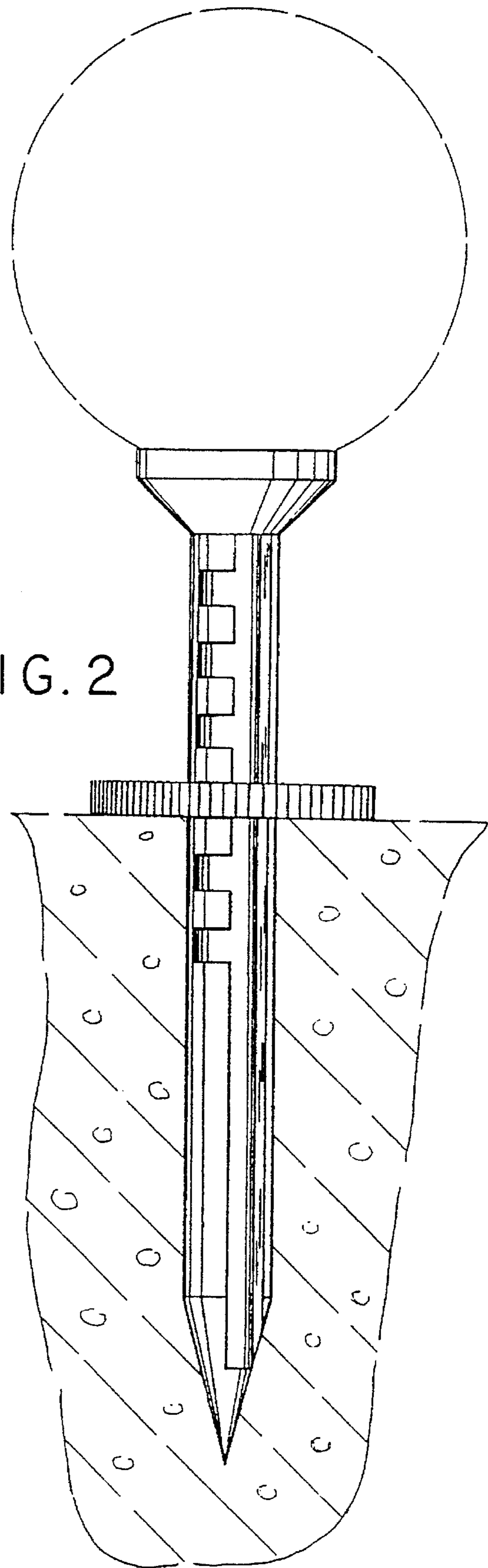


FIG. 2



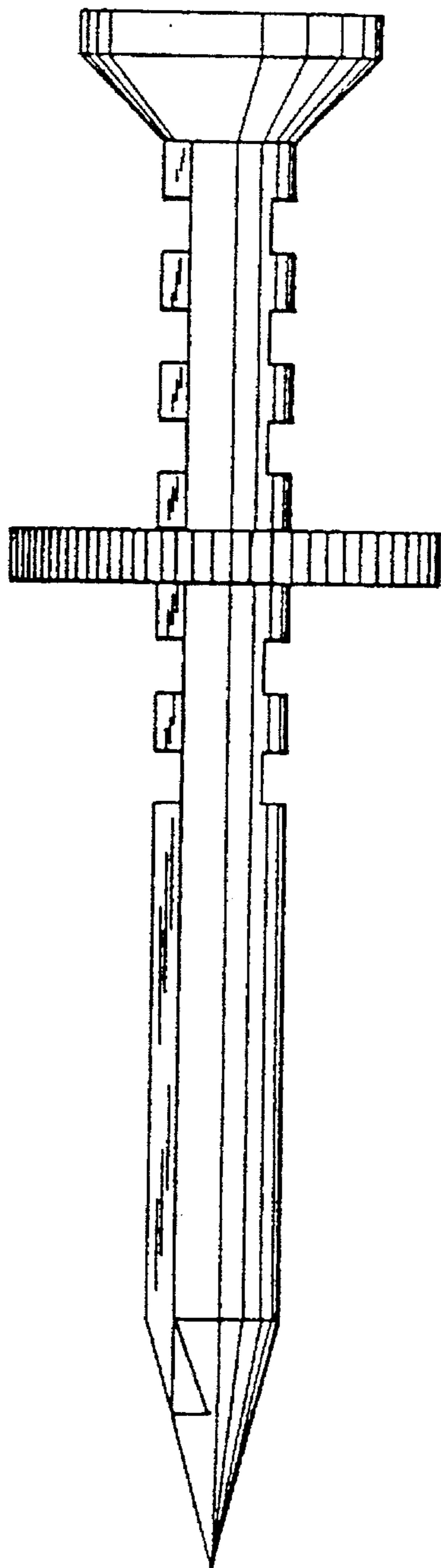


FIG. 3

FIG. 4

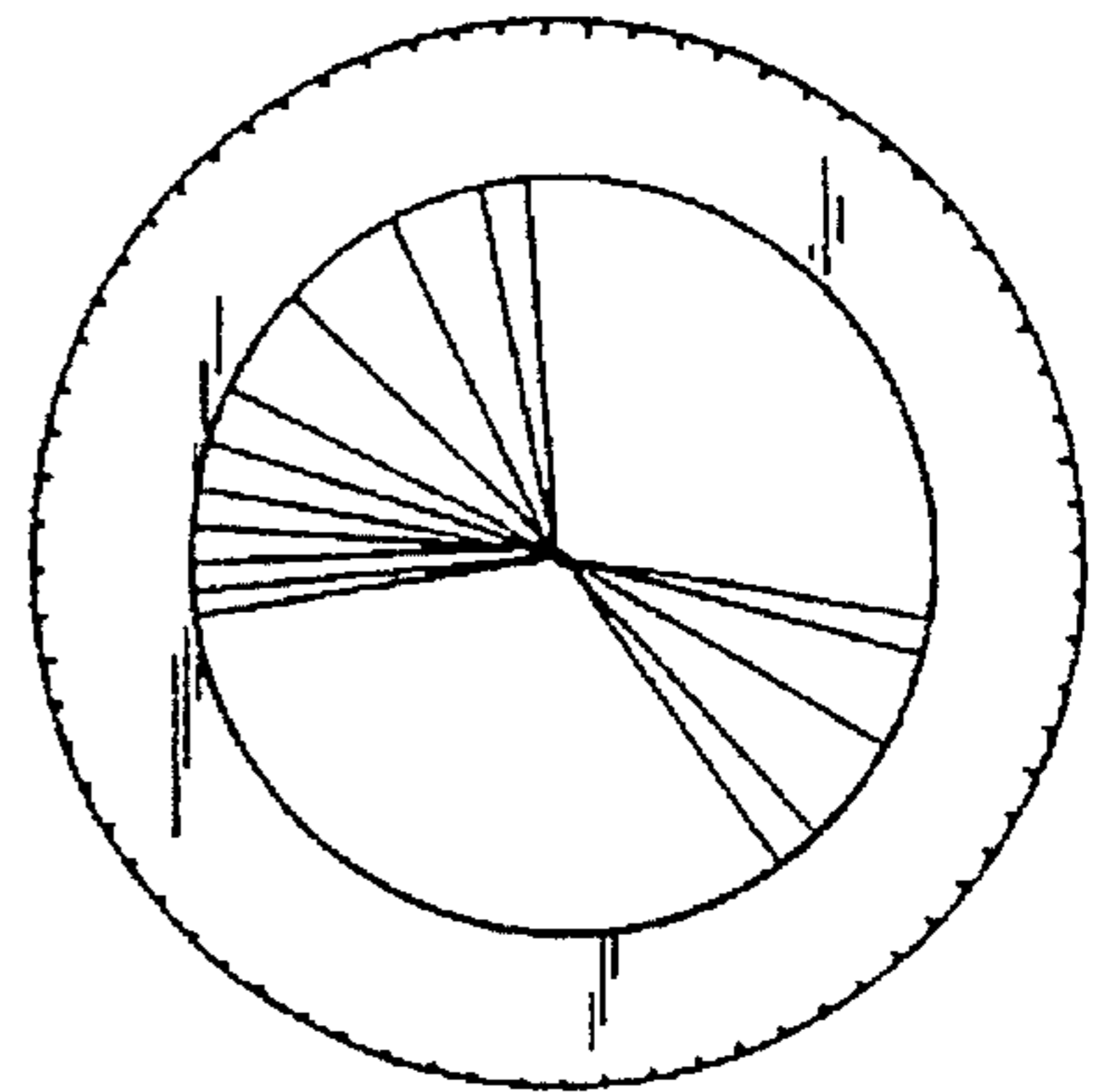


FIG. 5

