



US00D370040S

United States Patent [19]

[11] Patent Number: **Des. 370,040**

Habing et al.

[45] Date of Patent: ****May 21, 1996**

[54] PHYSICAL EXERCISER

[75] Inventors: **Theodore G. Habing**, Long Beach;
Ronald S. Gibson, Valencia; **Mark
Ulves**, Anaheim Hills, all of Calif.

[73] Assignee: **Pacific Fitness Corporation**, Cypress,
Calif.

[**] Term: **14 Years**

[21] Appl. No.: **33,824**

[22] Filed: **Jan. 20, 1995**

Related U.S. Application Data

[62] Division of Ser. No. 9,701, Jun. 17, 1993, Pat. No. Des.
358,183.

[52] U.S. Cl. **D21/195**

[58] Field of Search D21/191, 194,
D21/195; 482/92, 93, 94, 95, 96, 97, 98,
99, 100, 133, 137, 138, 102

[56] References Cited

U.S. PATENT DOCUMENTS

D. 288,451	2/1987	Irvine et al.	D21/195
D. 303,558	9/1989	Alessandri	D21/195
D. 306,053	2/1990	Beistegui	D21/195
D. 324,710	3/1992	Habing	D21/195

D. 330,238	10/1992	Desiderio	D21/195
4,900,018	2/1990	Ish, III et al.	482/98
5,211,614	5/1993	Henes	482/138
5,221,245	6/1993	Yeh	482/99
5,230,680	7/1993	Wu	482/138
5,263,915	11/1993	Habing	482/138
5,267,930	12/1993	Henes	482/133

OTHER PUBLICATIONS

Muscle & Fitness Magazine, Sep. 1992, p. 121, Weider
E9000 Exerciser.

Primary Examiner—Philip S. Hyder
Attorney, Agent, or Firm—Blakely, Sokoloff, Taylor, Zaf-
man

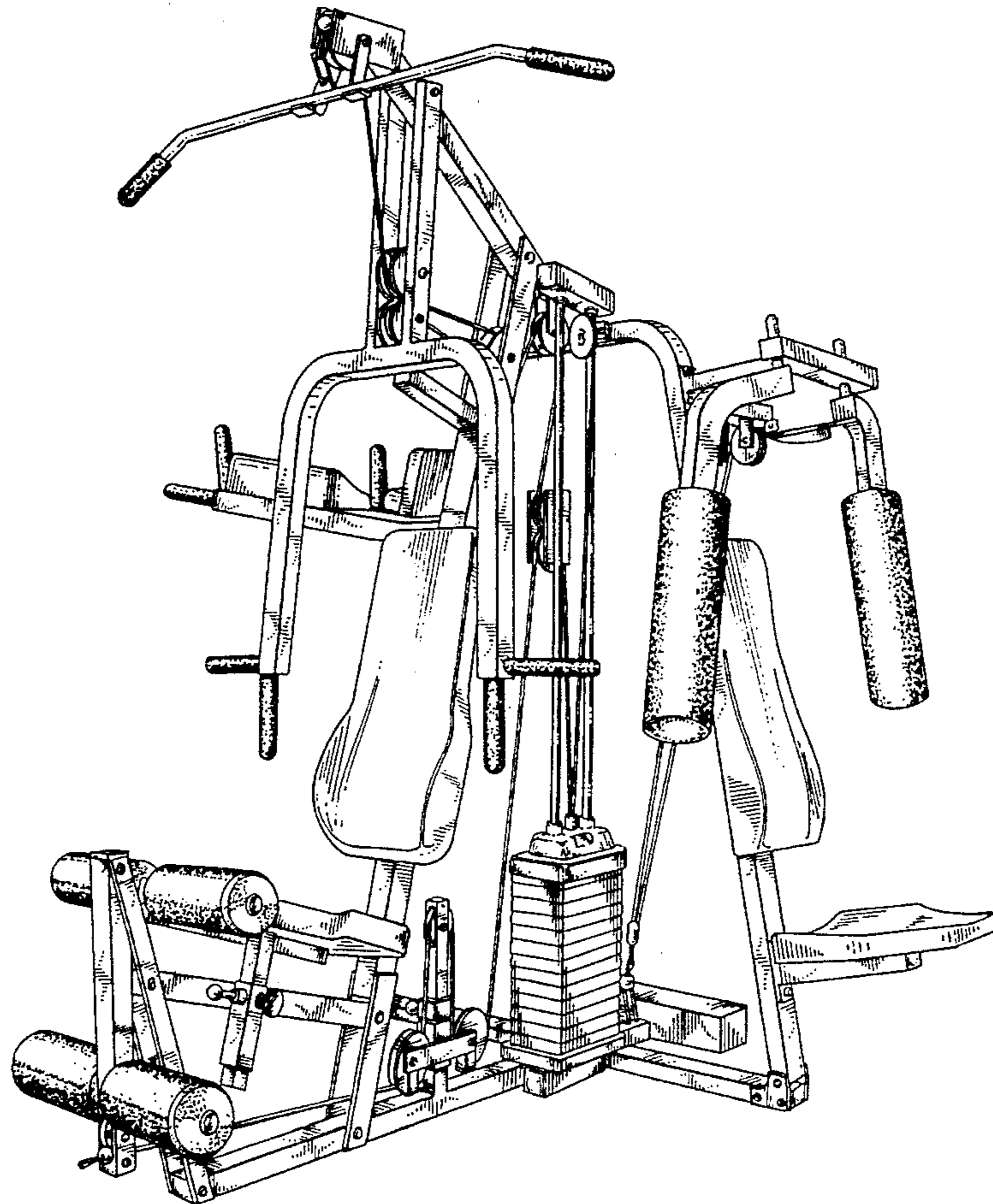
[57] CLAIM

The ornamental design for a physical exerciser, as shown.

DESCRIPTION

FIG. 1 is a perspective view of our new design;
FIG. 2 is a left side elevation view thereof;
FIG. 3 is a rear elevation view thereof;
FIG. 4 is a right side elevation view thereof;
FIG. 5 is a front elevation view thereof;
FIG. 6 is a top plan view thereof; and,
FIG. 7 is a bottom plan view thereof.

1 Claim, 7 Drawing Sheets



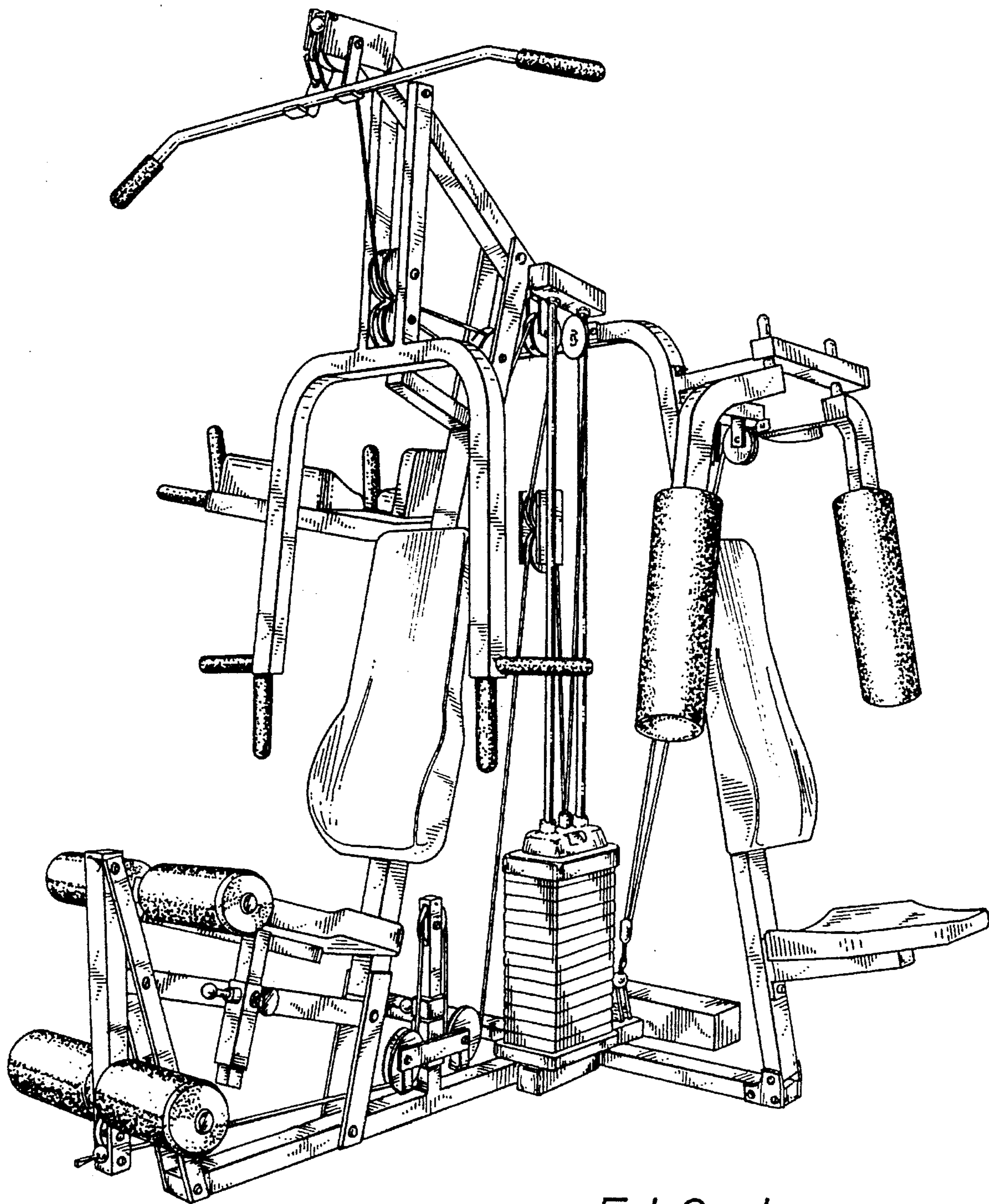


FIG. 1

FIG. 2

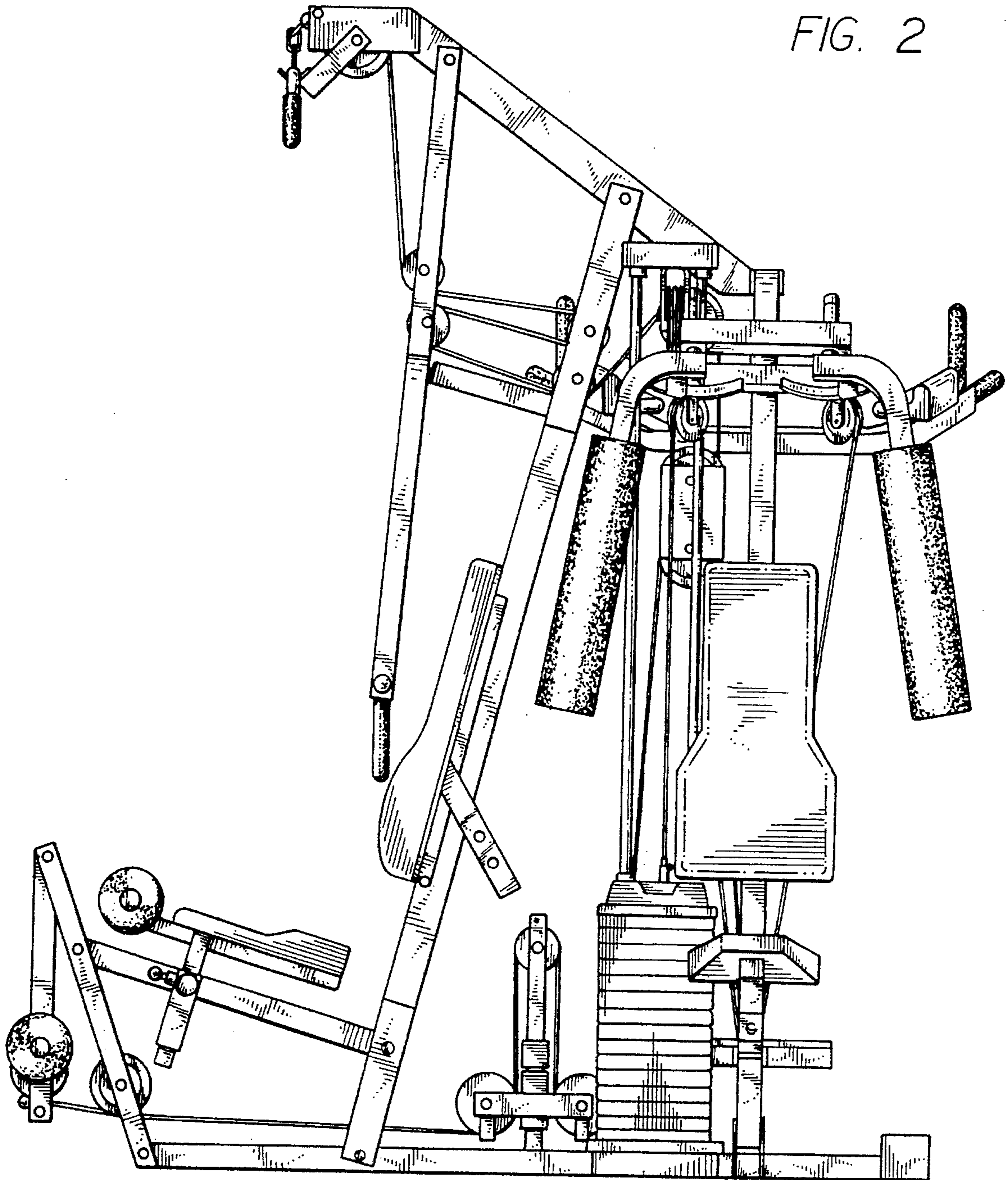


FIG. 3

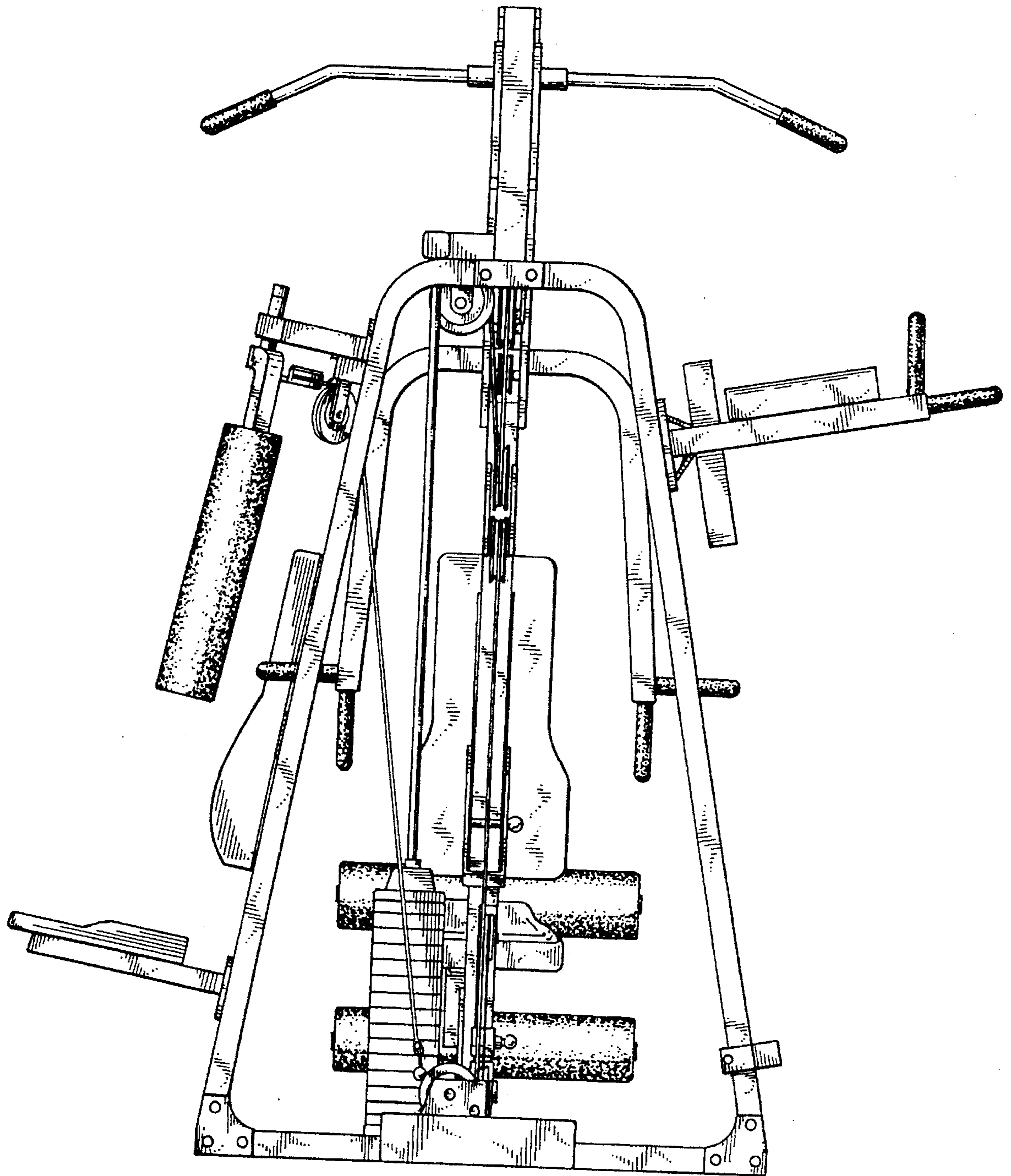
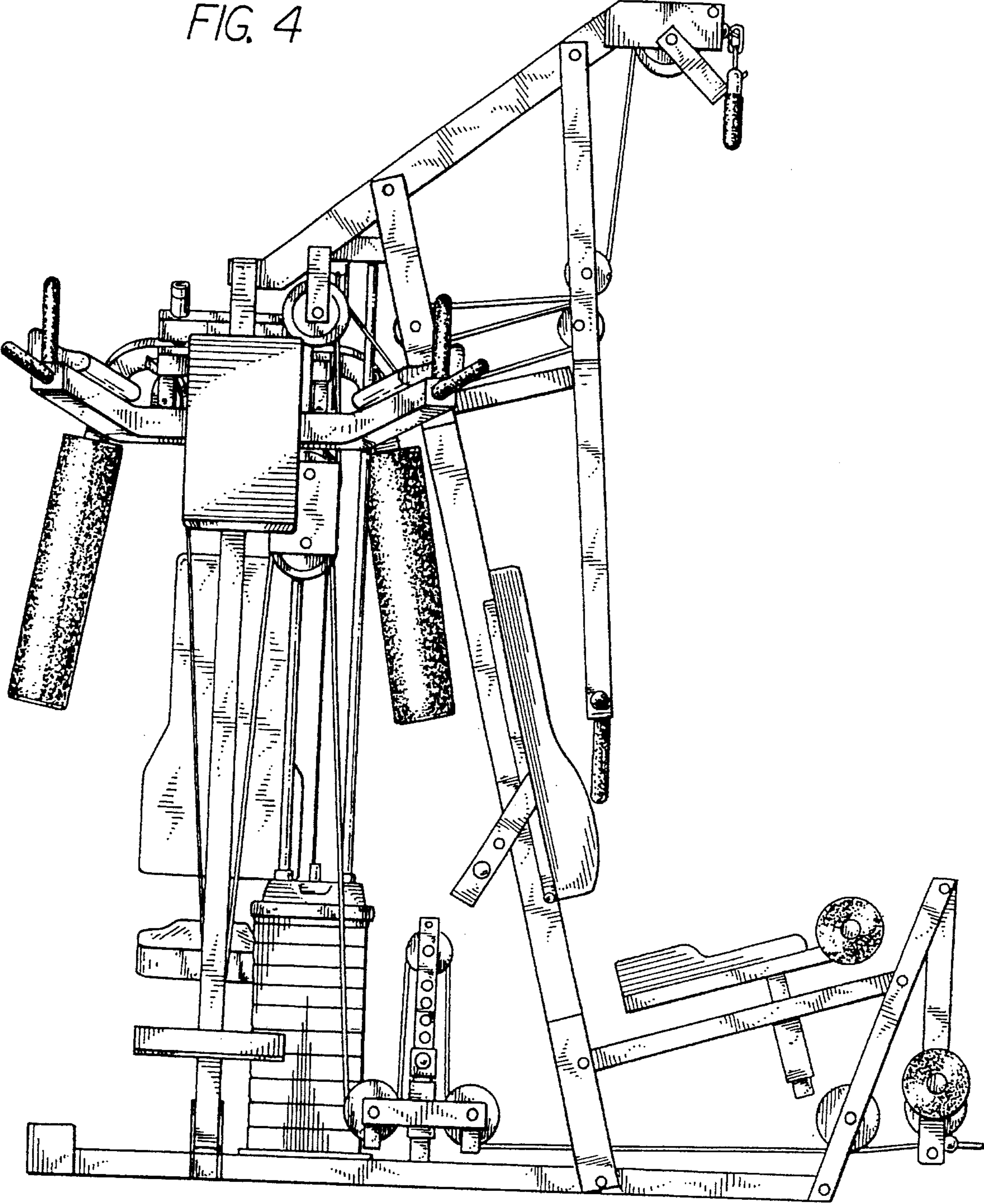


FIG. 4



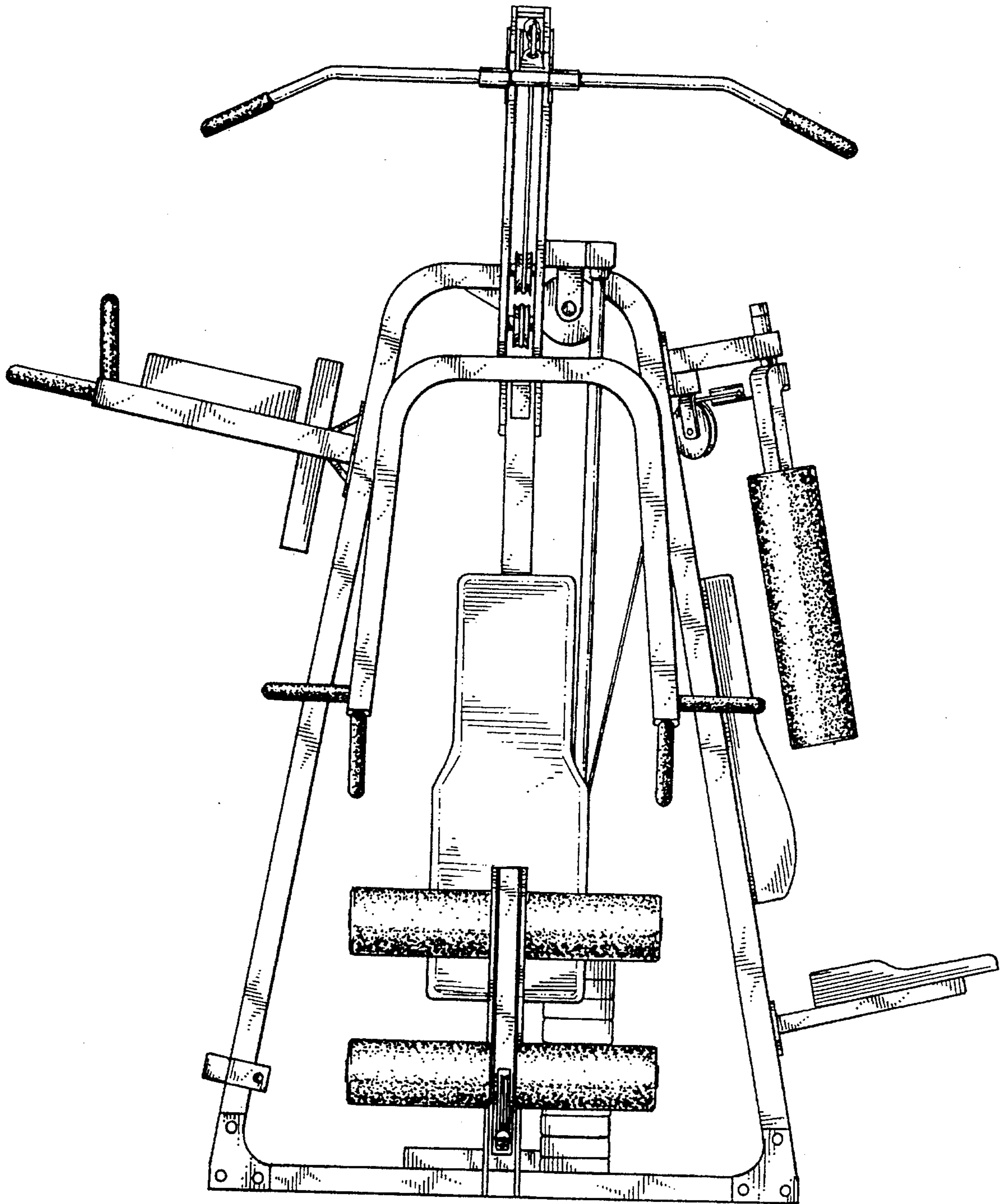


FIG. 5

FIG. 6

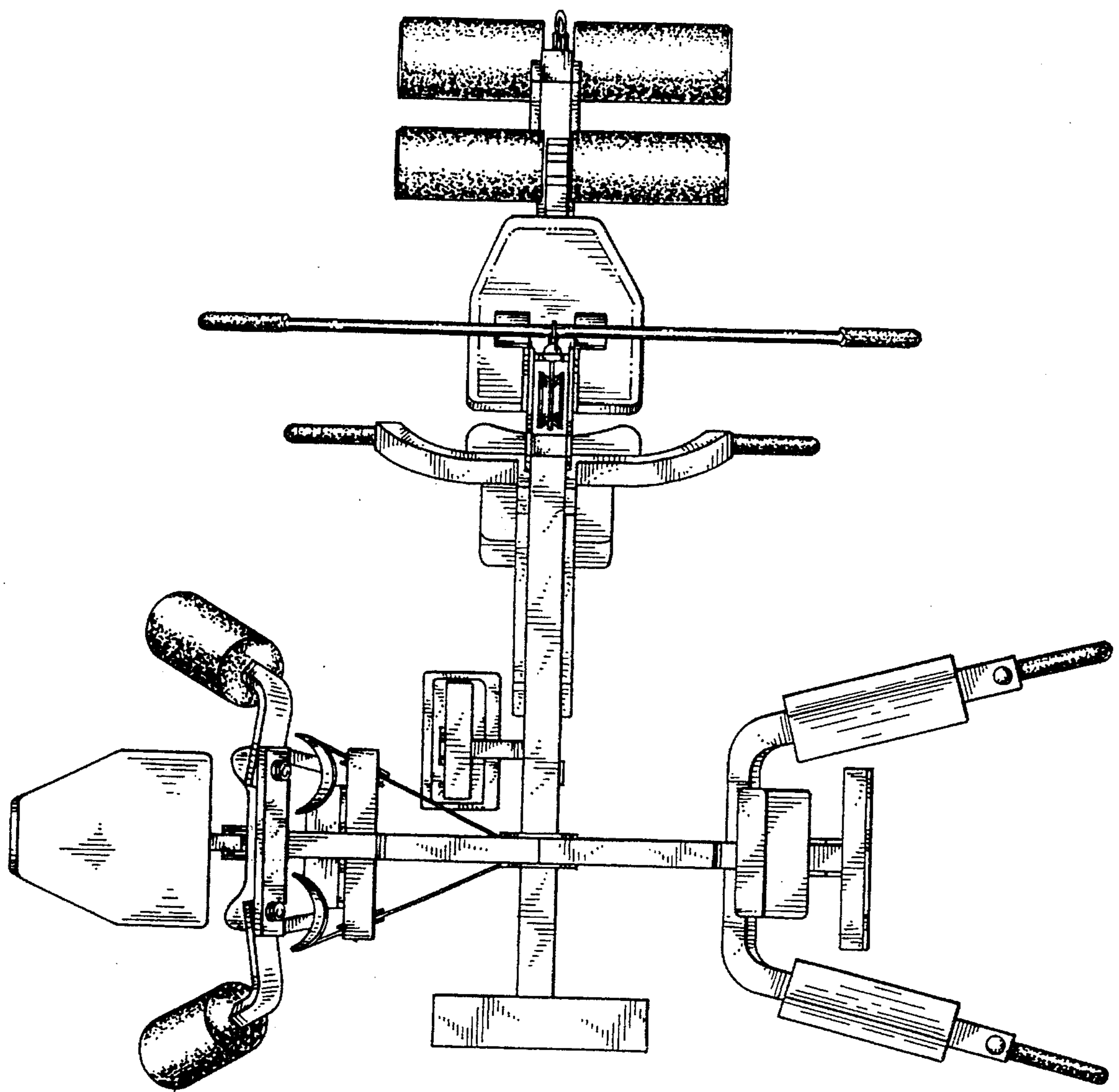


FIG. 7

