



US00D370039S

United States Patent [19]

[11] Patent Number: **Des. 370,039**

May et al.

[45] Date of Patent: ****May 21, 1996**

[54] **EXERCISE MACHINE**
[75] Inventors: **Gregory D. May; Thomas von Meer,**
both of Del Mar, Calif.

4,666,152 5/1987 Jones .
4,792,135 12/1988 Chin-Sen .
4,900,018 2/1990 Ish, III et al. 482/98
5,221,245 6/1993 Yeh 482/99
5,267,930 12/1993 Henes 482/123

[73] Assignee: **Omni USA Inc.,** Houston, Tex.

Primary Examiner—Philip S. Hyder
Attorney, Agent, or Firm—Brady O'Boyle & Gates

[**] Term: **14 Years**

[57] CLAIM

[21] Appl. No.: **16,875**

The ornamental design for an exercise machine, as shown and described.

[22] Filed: **Dec. 28, 1993**

[52] U.S. Cl. **D21/195**

DESCRIPTION

[58] Field of Search D21/191, 195;
482/92, 93, 94, 97, 98, 123

FIG. 1 is a front elevational view of the exercise machine showing our new design;

[56] References Cited

U.S. PATENT DOCUMENTS

D. 242,732	12/1976	Brentham	D21/195
D. 260,542	9/1981	Lambert, Jr.	D21/195
D. 300,048	2/1989	Grider	D21/195
D. 321,024	10/1991	Brentham	D21/195
D. 324,710	3/1992	Habing	D21/195
D. 330,238	10/1992	Desiderio	D21/195
4,387,893	6/1983	Baldwin	.	
4,500,089	2/1985	Jones	.	

FIG. 2 is a side elevational view as viewed from the left of FIG. 1;

FIG. 3 is a side elevational view as viewed from the right of FIG. 1;

FIG. 4 is a rear elevation thereof; and,

FIG. 5 is a top plan view thereof.

The bottom of the exercise machine is plain and unornamented.

1 Claim, 3 Drawing Sheets

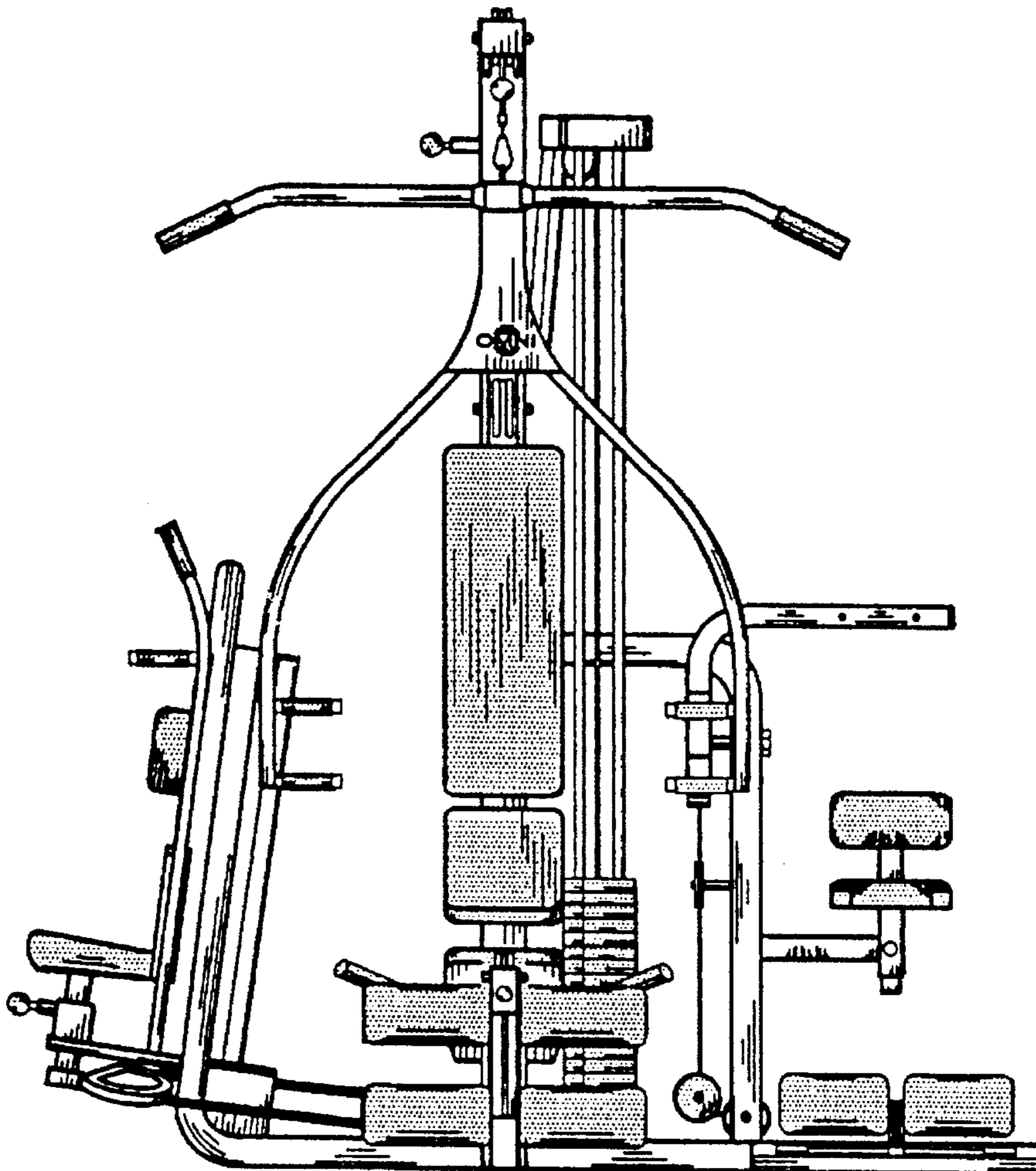


FIG. 1

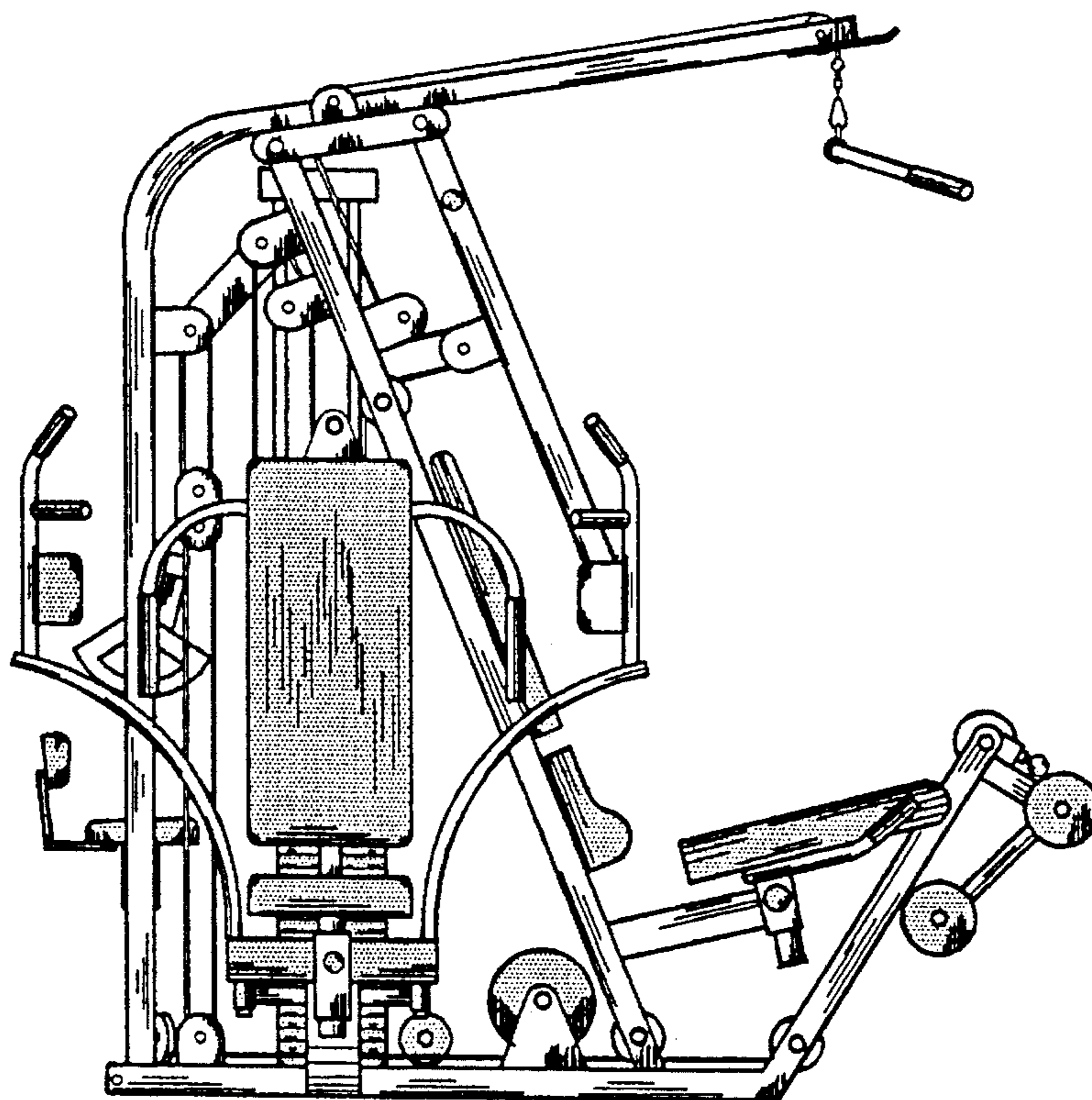
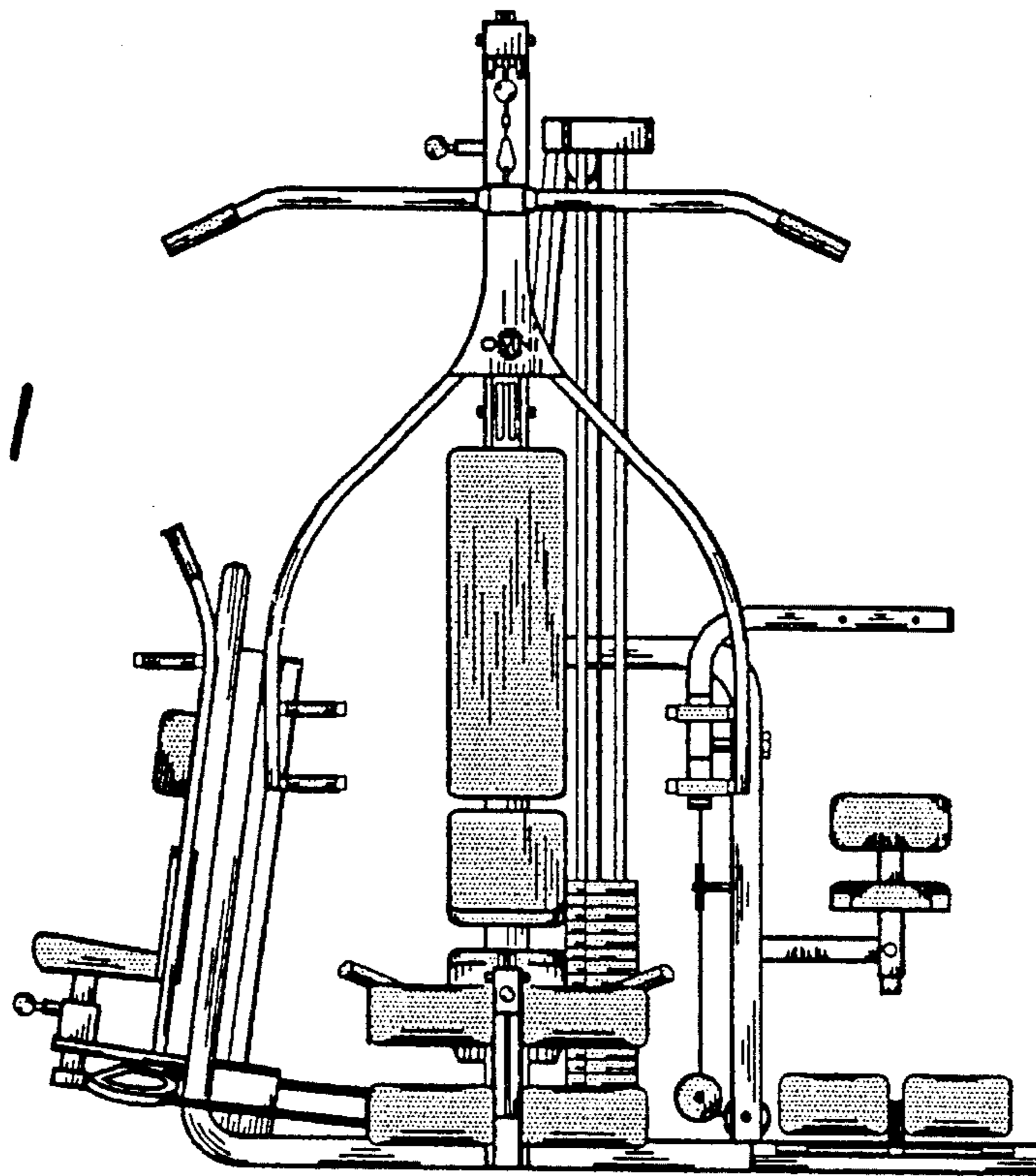


FIG. 2

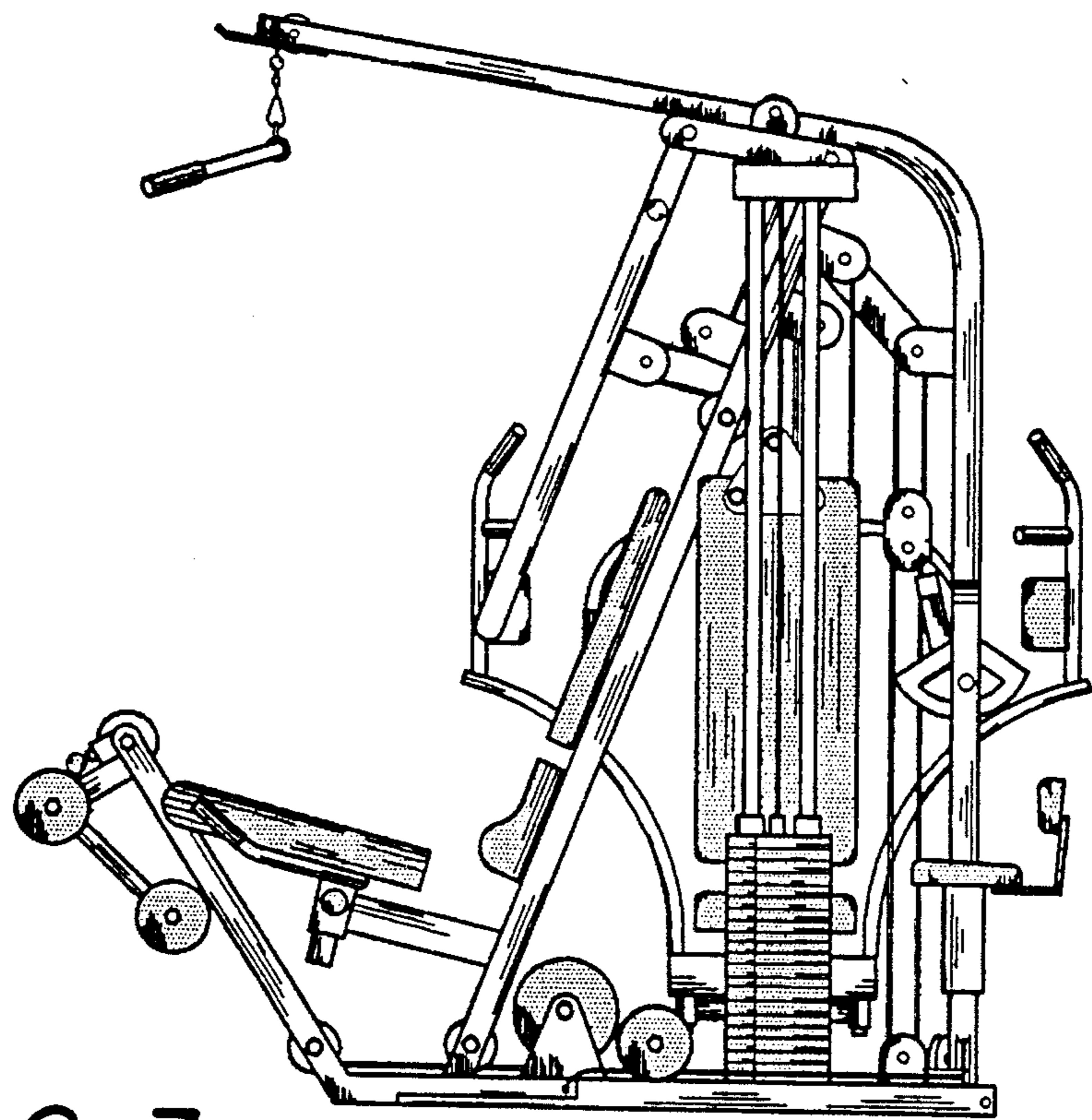


FIG. 3

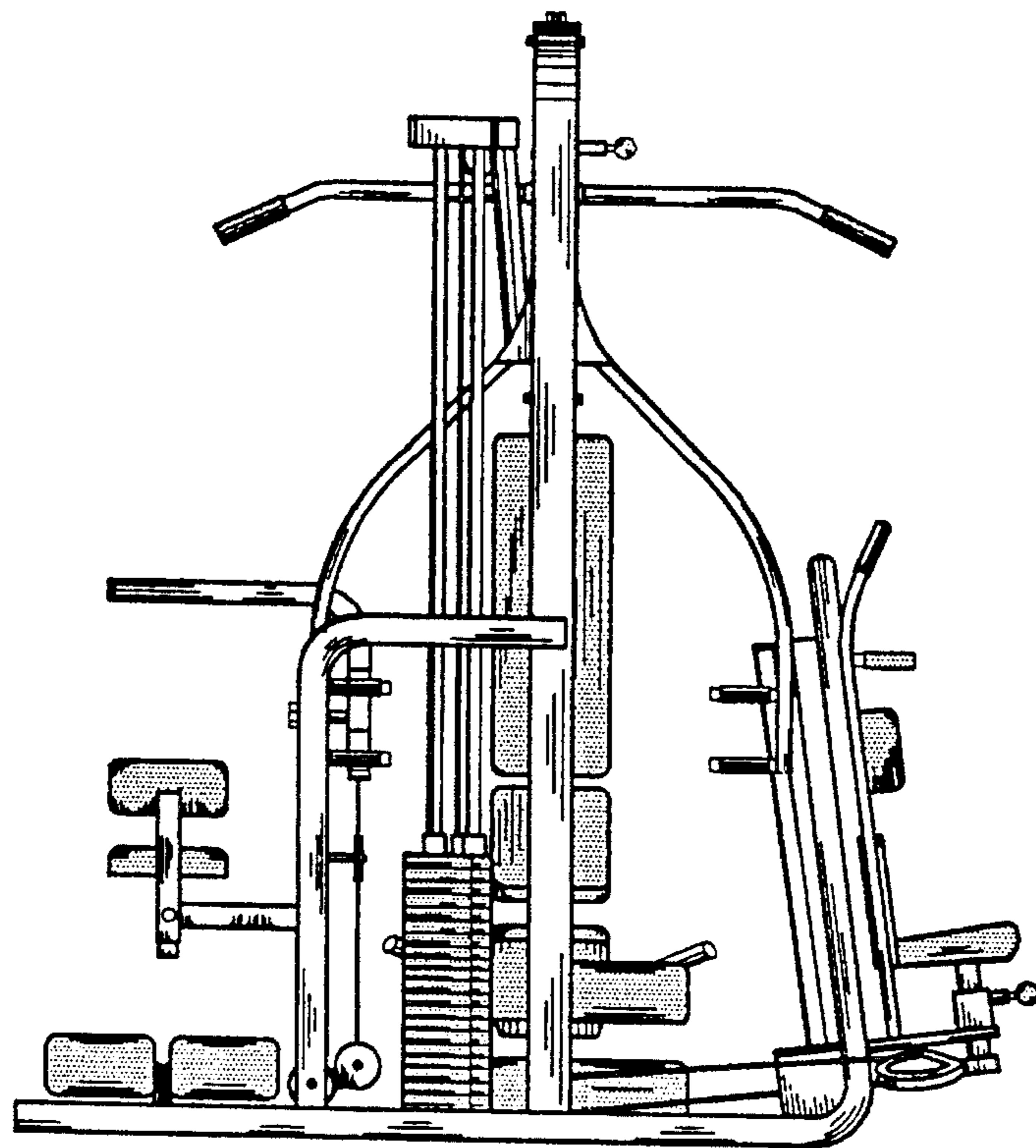


FIG. 4

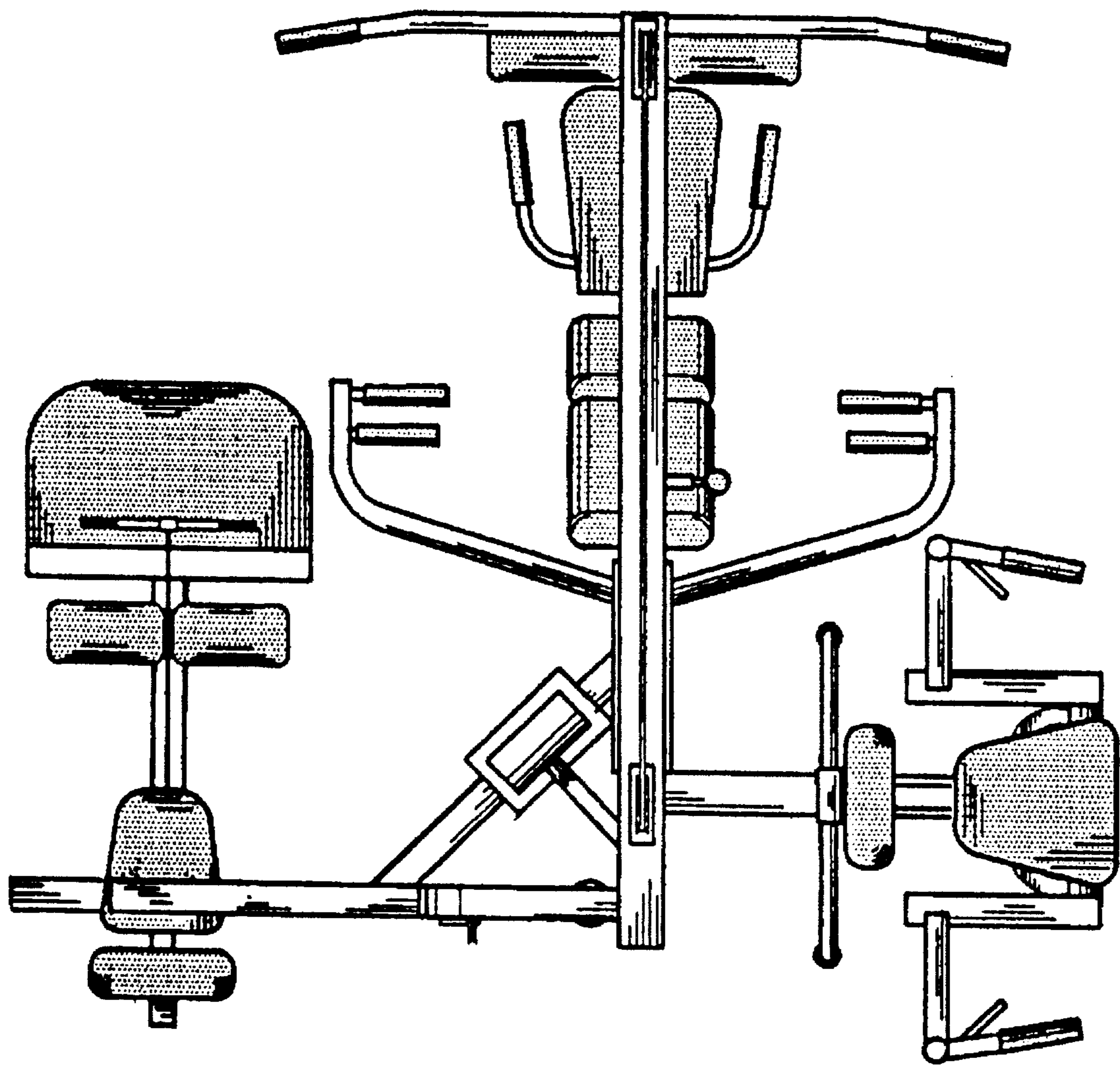


FIG. 5