



US00D370036S

# United States Patent [19]

Jaeb et al.

[11] Patent Number: **Des. 370,036**

[45] Date of Patent: **\*\*May 21, 1996**

[54] **TOY PIRATE SHIP**

D. 84,160 5/1931 Nowakowski ..... D21/130

[75] Inventors: **Michael S. Jaeb**, Hiram, Ohio; **Mark A. Strayer**, Orchard Park, N.Y.

*Primary Examiner*—Ted Shooman

*Assistant Examiner*—R. Barkai

*Attorney, Agent, or Firm*—Richard B. O'Planick; Lisa B. Riedesel

[73] Assignee: **The Little Tikes Company**, Hudson, Ohio

[\*\*] Term: **14 Years**

### [57] CLAIM

The ornamental design for a toy pirate ship, as shown and described.

[21] Appl. No.: **34,435**

[22] Filed: **Feb. 6, 1995**

### DESCRIPTION

[52] U.S. Cl. .... **D21/130**

[58] Field of Search ..... D21/71, 74-80, D21/129, 130, 132, 134, 135; D12/92, 100; 446/160, 428, 447, 456, 465, 470; 280/1.13, 828, 87.021

FIG. 1 is a top left front perspective view of a toy pirate ship showing our new design;

FIG. 2 is a left side elevational view thereof;

FIG. 3 is a right side elevational view thereof;

FIG. 4 is a front elevational view thereof;

FIG. 5 is a rear elevational view thereof;

FIG. 6 is a top plan view thereof;

FIG. 7 is a bottom plan view thereof; and,

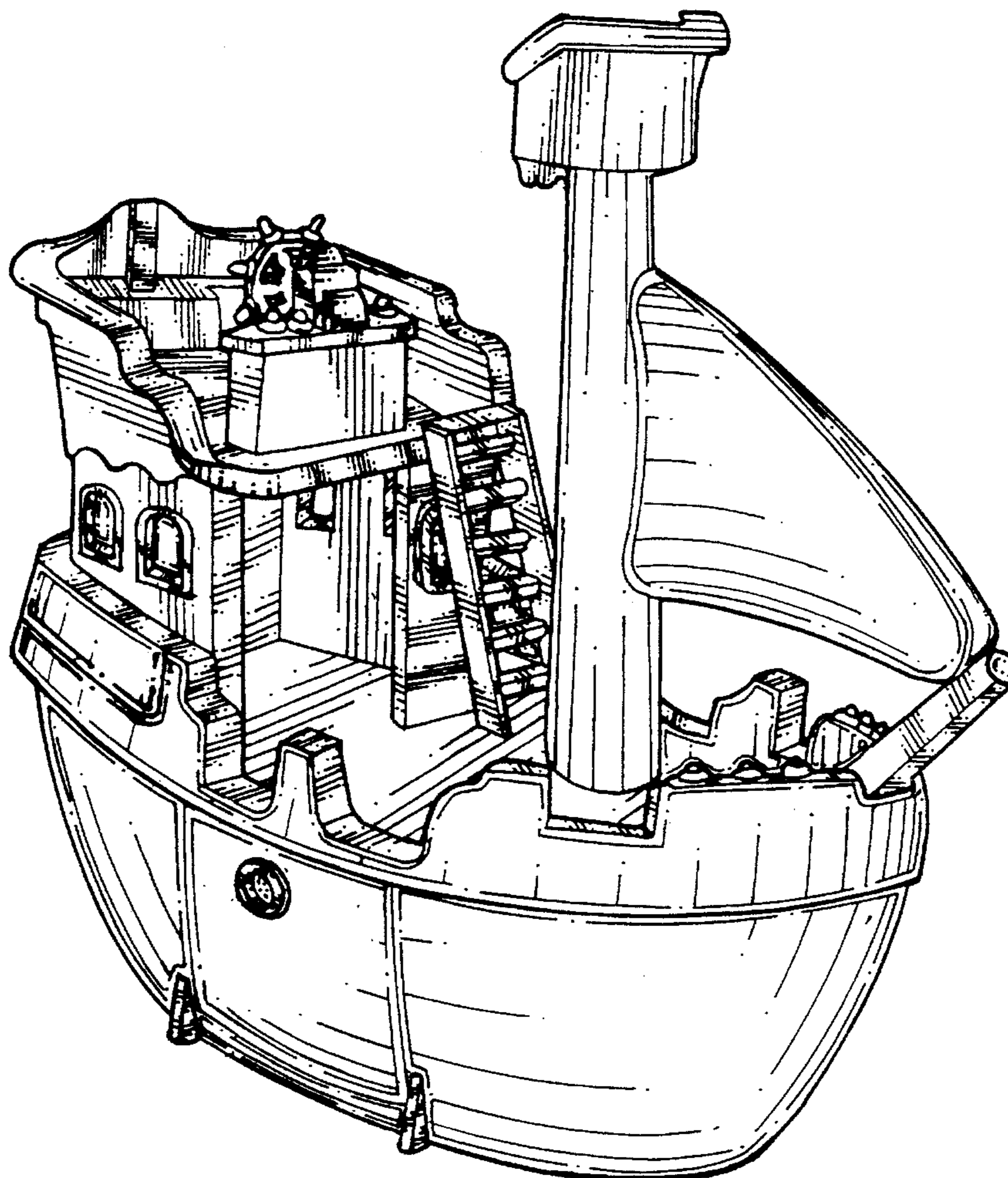
FIG. 8 is a top left front perspective view thereof, the broken line showing of environmental features is for illustrative purposes only and forms no part of the claimed design.

### [56] References Cited

#### U.S. PATENT DOCUMENTS

D. 70,630	7/1926	Scharff	.....	D21/130
D. 70,705	7/1926	Scharff	.....	D21/130
D. 71,584	12/1926	Hamilton	.....	D21/130
D. 74,247	1/1928	Allen	.....	D21/130
D. 81,284	6/1930	Hellvik et al.	.....	D21/130

**1 Claim, 7 Drawing Sheets**



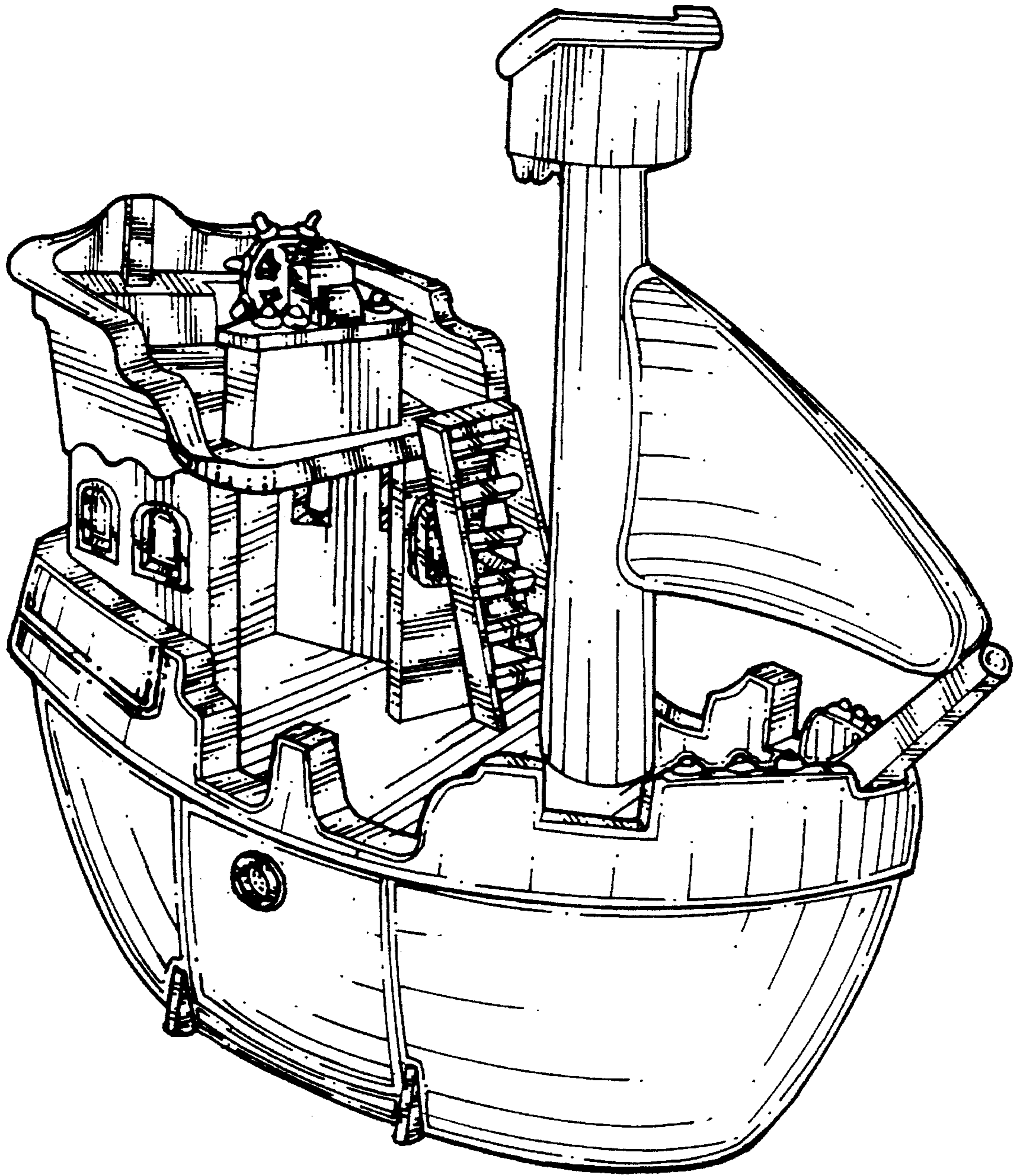


FIG. 1

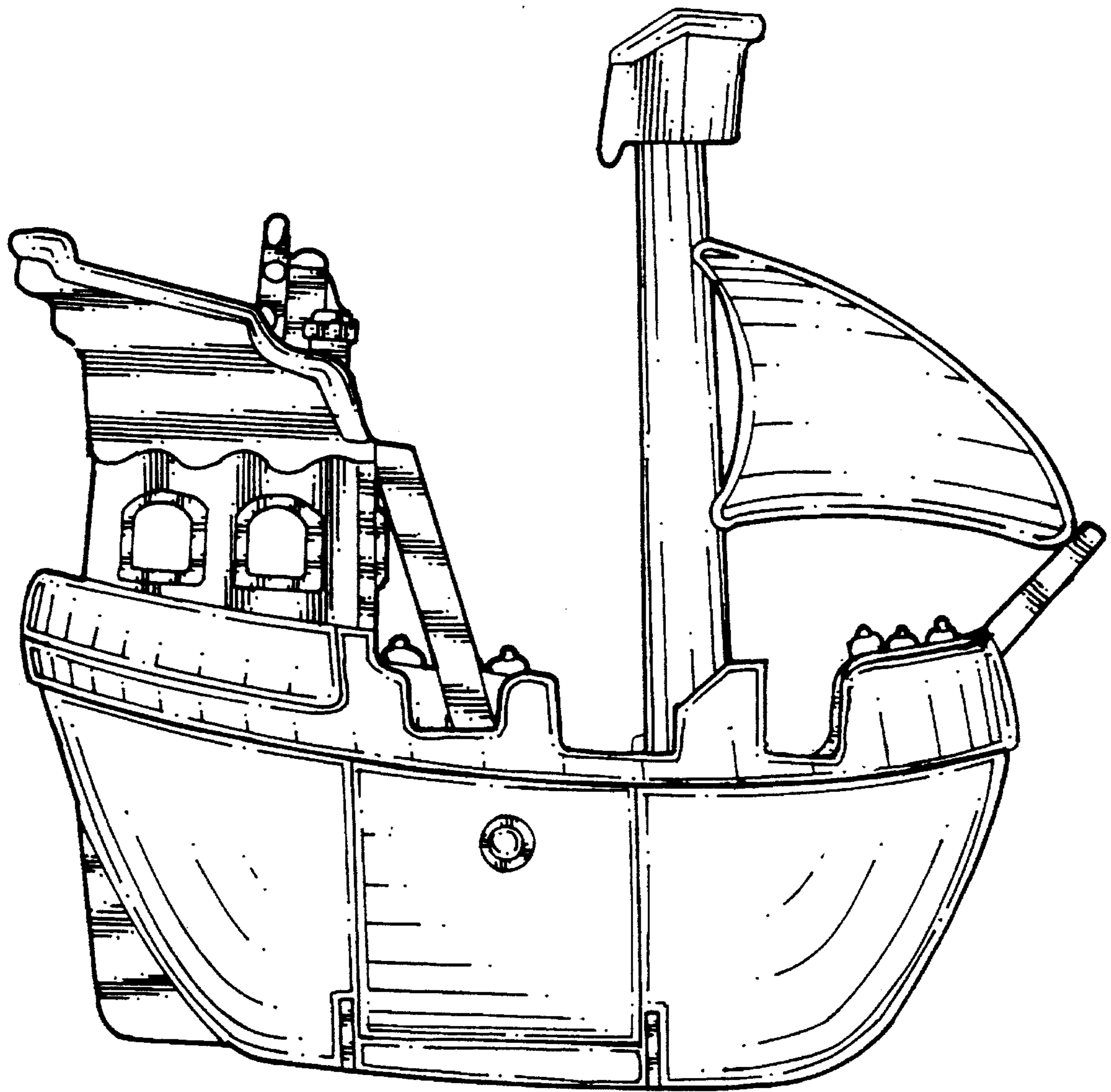


FIG. 2

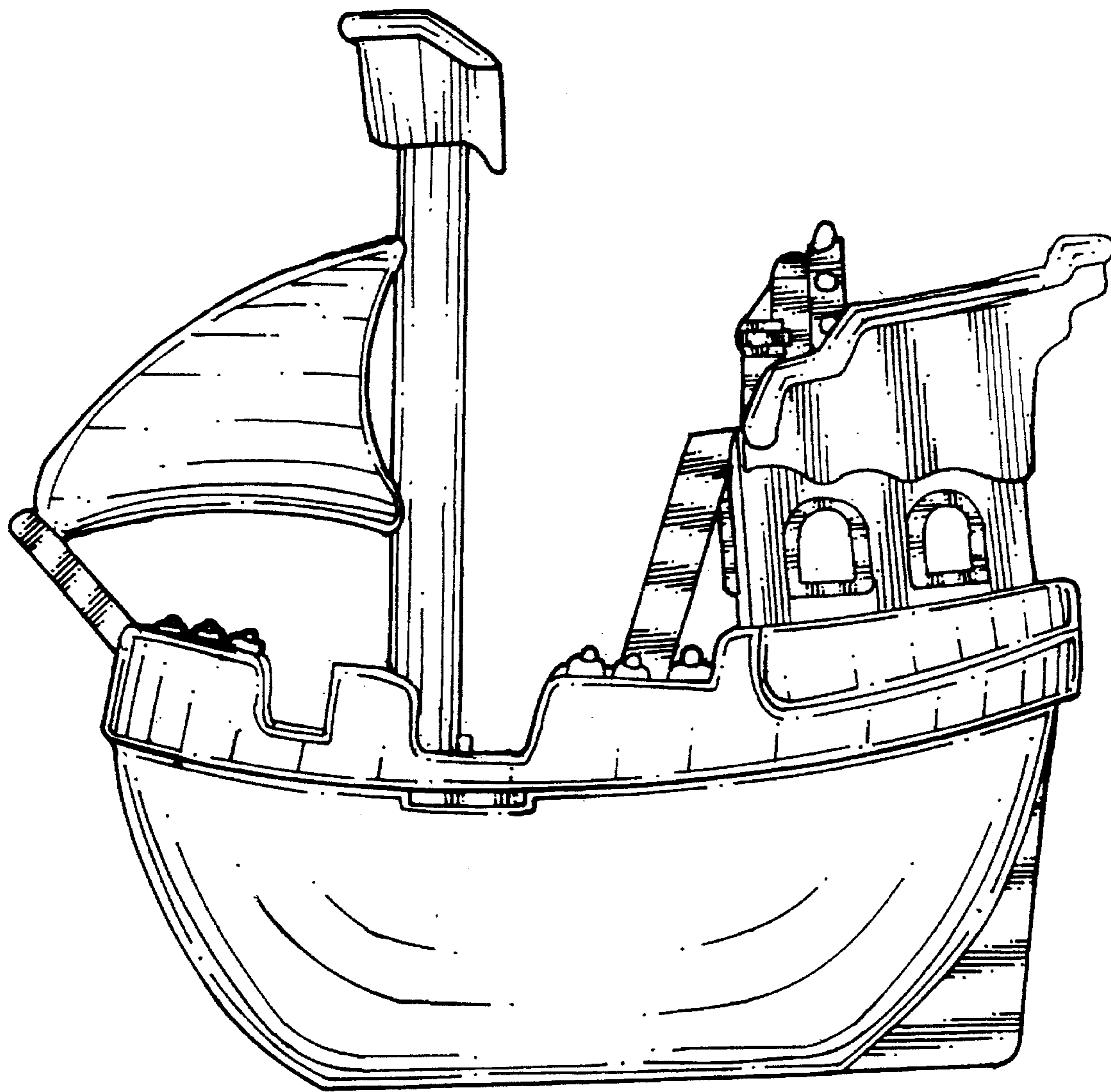


FIG. 3

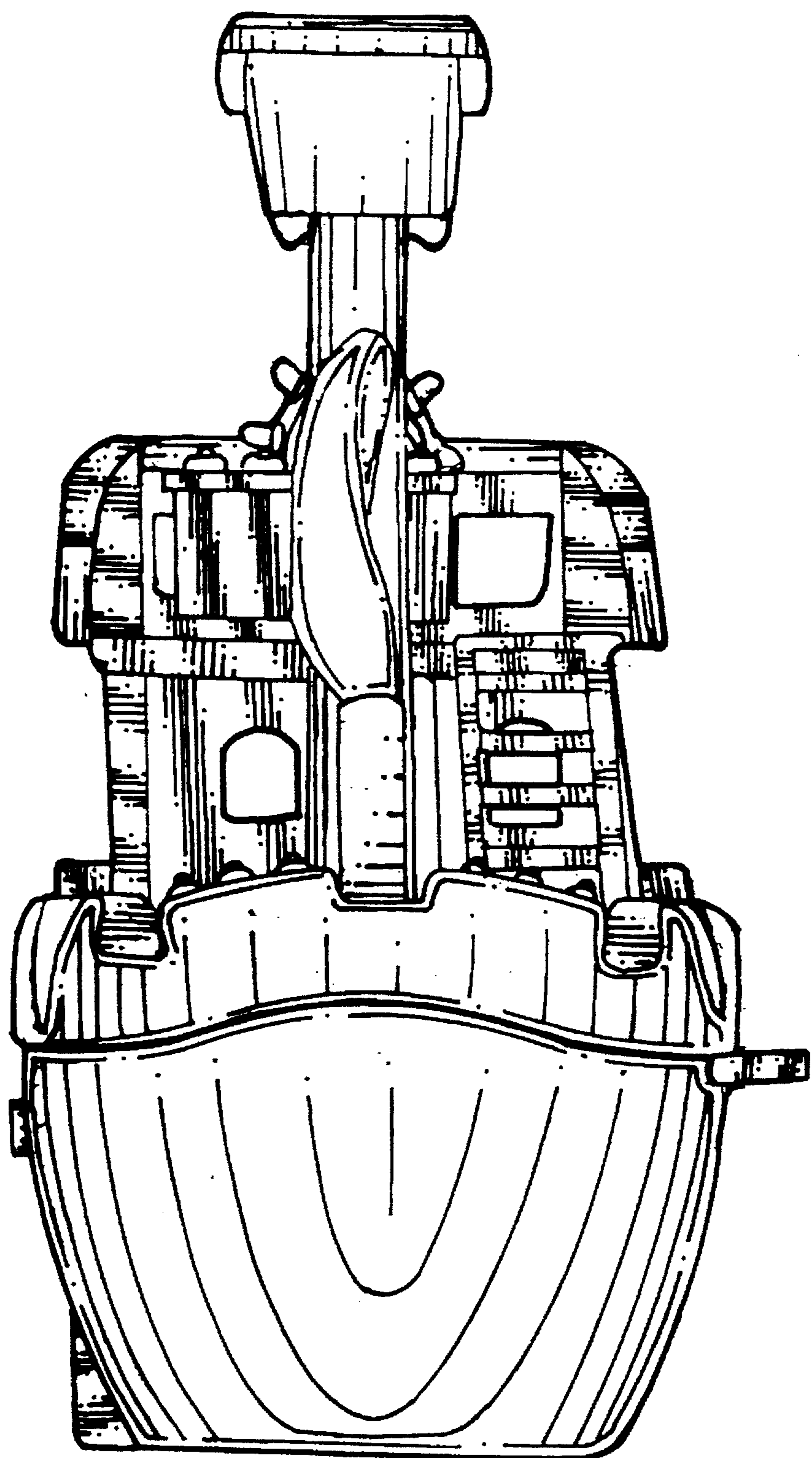
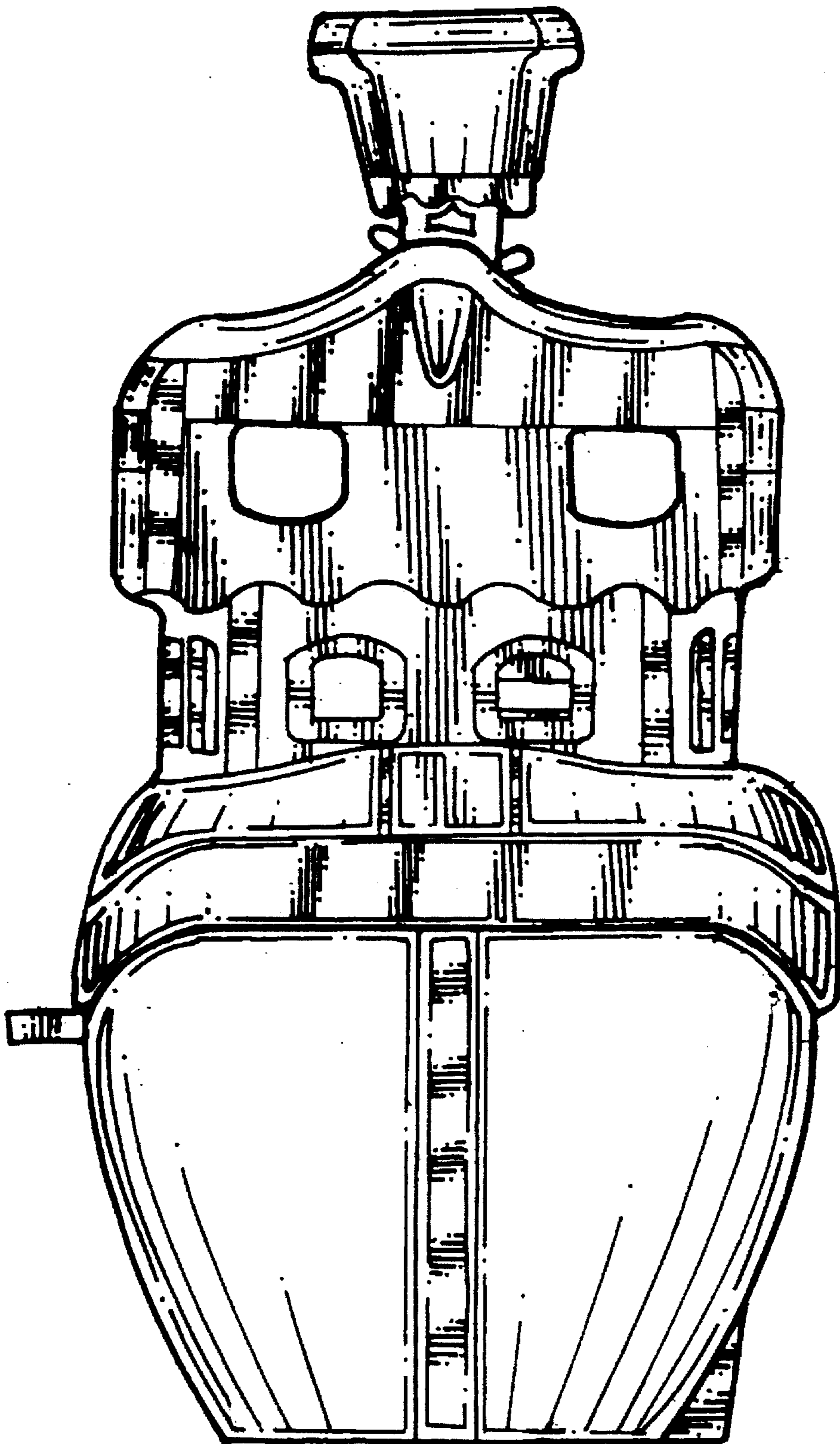


FIG. 4



**FIG. 5**

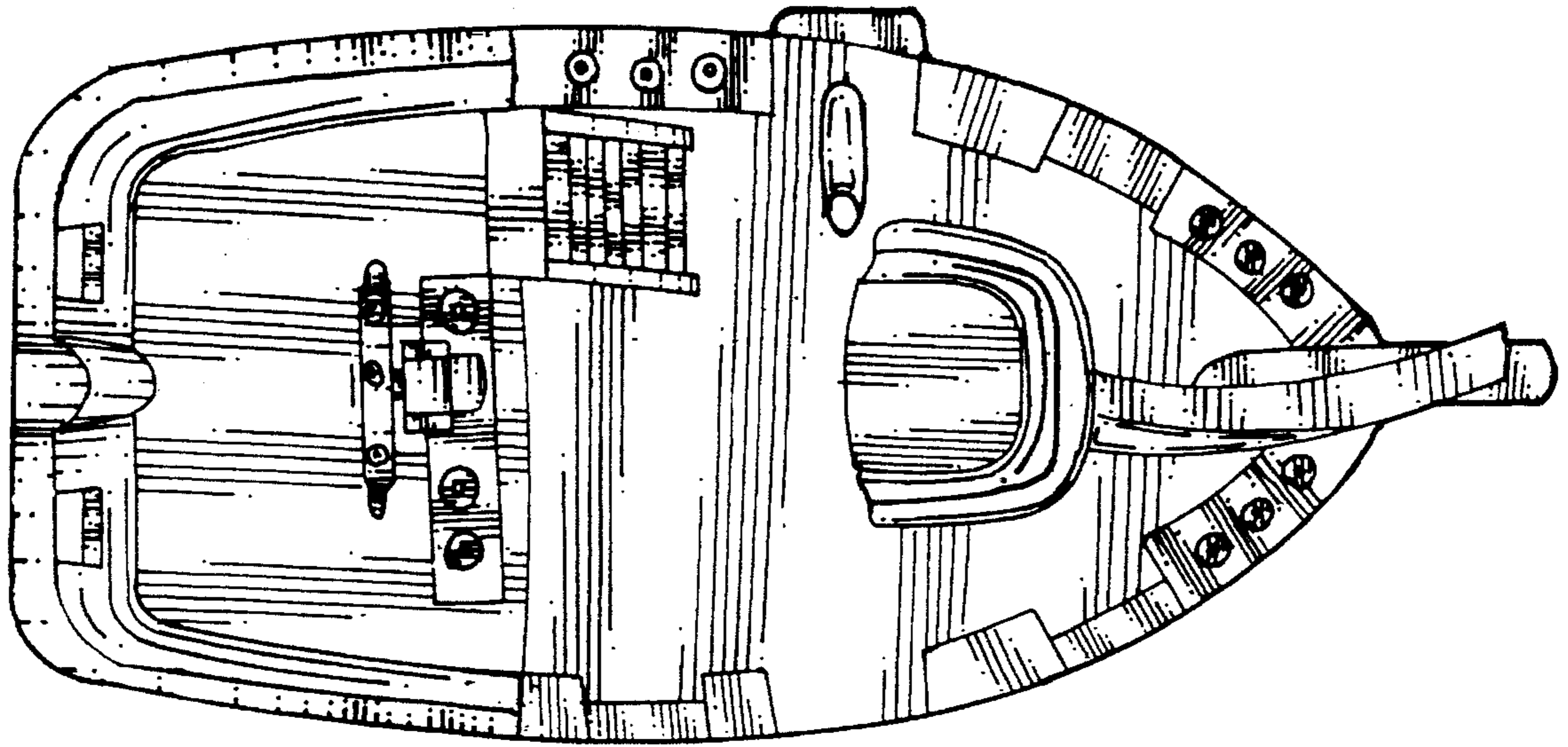


FIG. 6

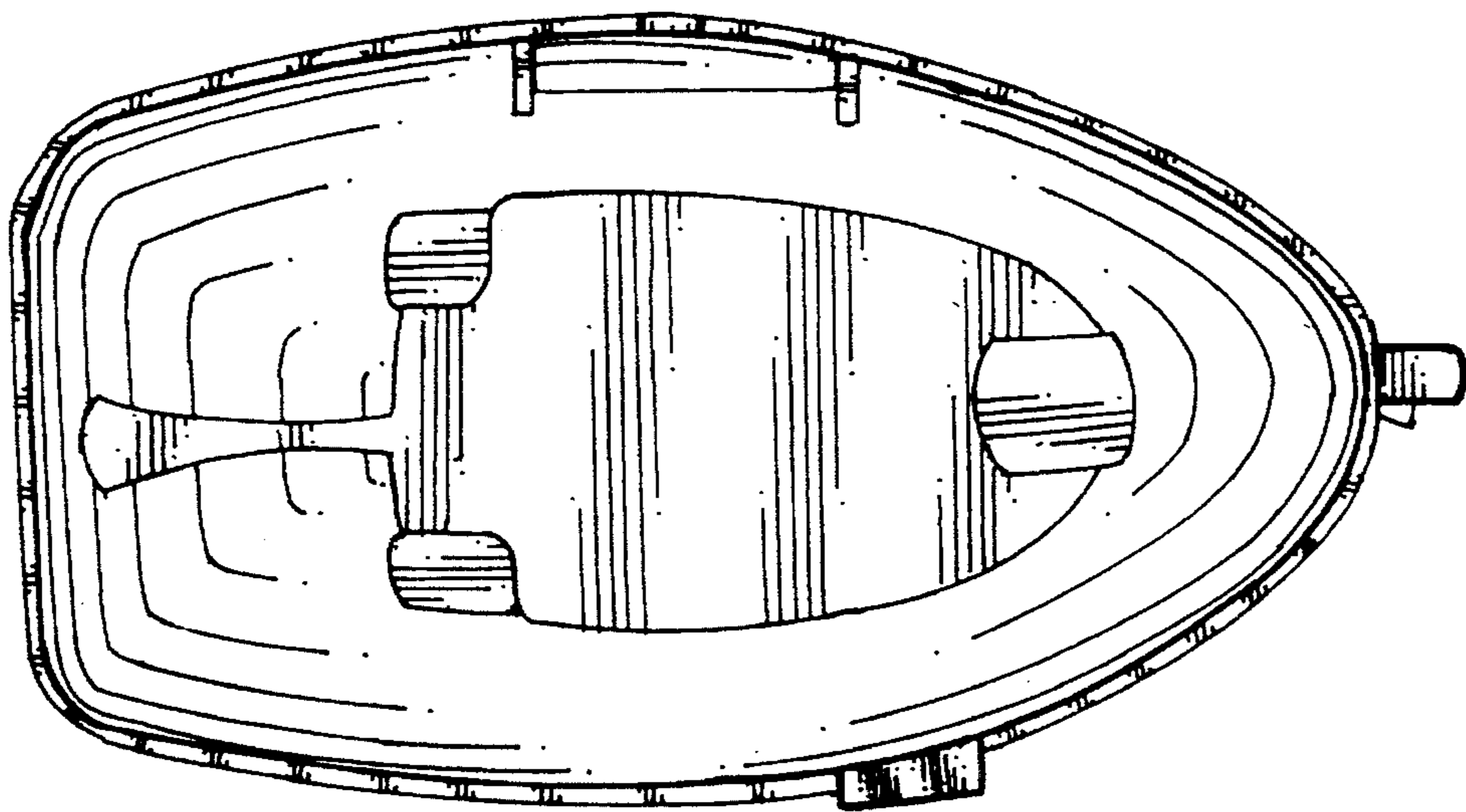


FIG. 7

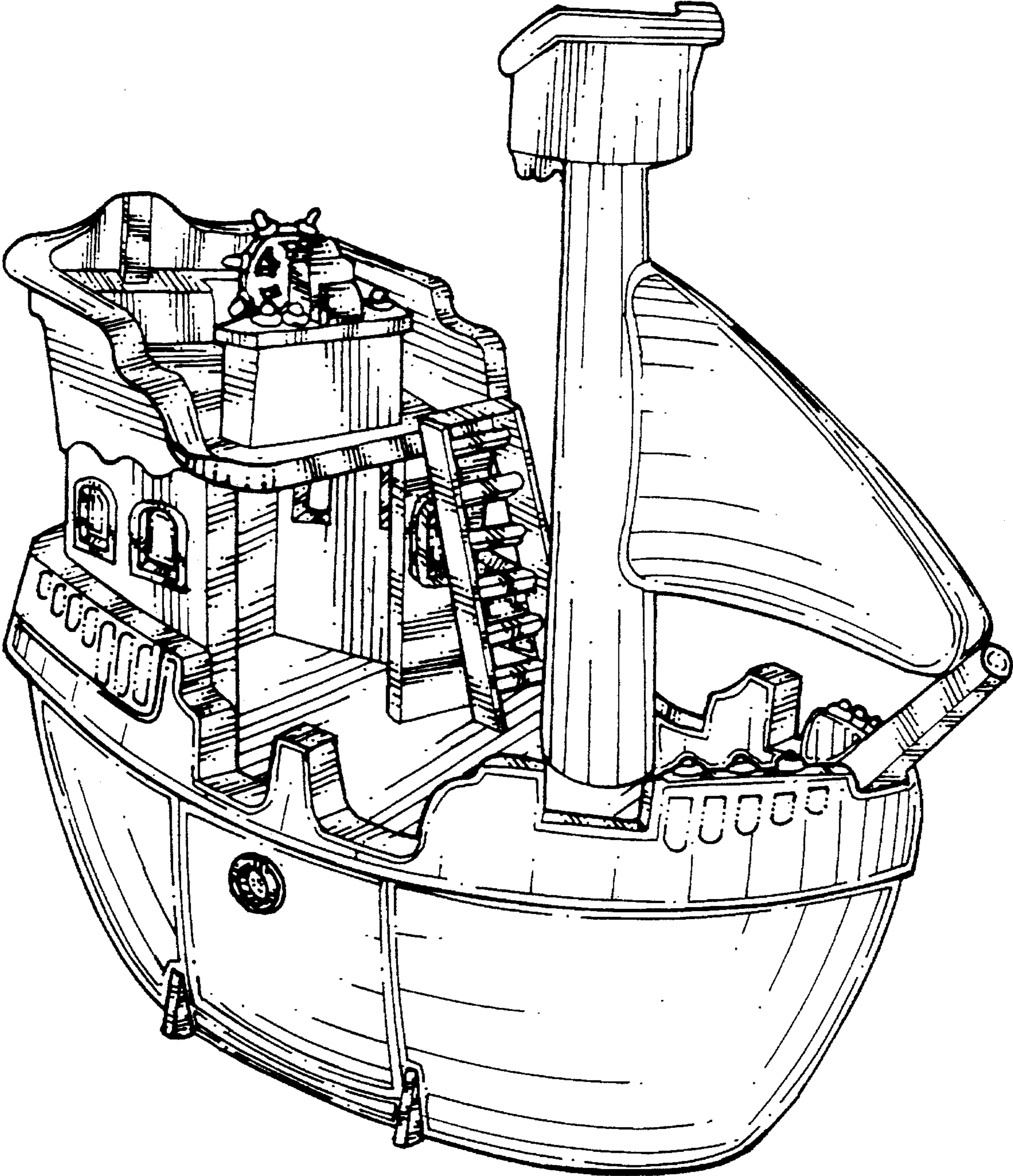


FIG.8