



US00D370032S

# United States Patent [19]

[11] Patent Number: **Des. 370,032**

**Bidwell et al.**

[45] Date of Patent: **\*\*May 21, 1996**

## [54] PEG AND RING GAME

[75] Inventors: **Christopher C. Bidwell**, Dunwoody;  
**Stephen R. Burns**, Duluth, both of Ga.

[73] Assignee: **Innovative Ventures, Inc.**, Norcross,  
Ga.

[\*\*] Term: **14 Years**

[21] Appl. No.: **22,795**

[22] Filed: **May 12, 1994**

[52] U.S. Cl. .... **D21/5**

[58] Field of Search ..... D21/5, 1, 4, 2;  
273/336-339, 425, 424, 467, 348

## FOREIGN PATENT DOCUMENTS

159971 2/1932 Switzerland ..... 273/336  
16849 of 1897 United Kingdom ..... 273/338

## OTHER PUBLICATIONS

Argo Industries Corp. Mar. 196553.  
Ideal Pool and Inflatable, 1965 Catalog.

*Primary Examiner*—Prabhakar G. Deshmukh  
*Attorney, Agent, or Firm*—Troutman Sanders; Joel S. Gold-  
man; John A. Savio, III

## [57] CLAIM

The ornamental design for a peg and ring game, as shown and described.

## [56] References Cited

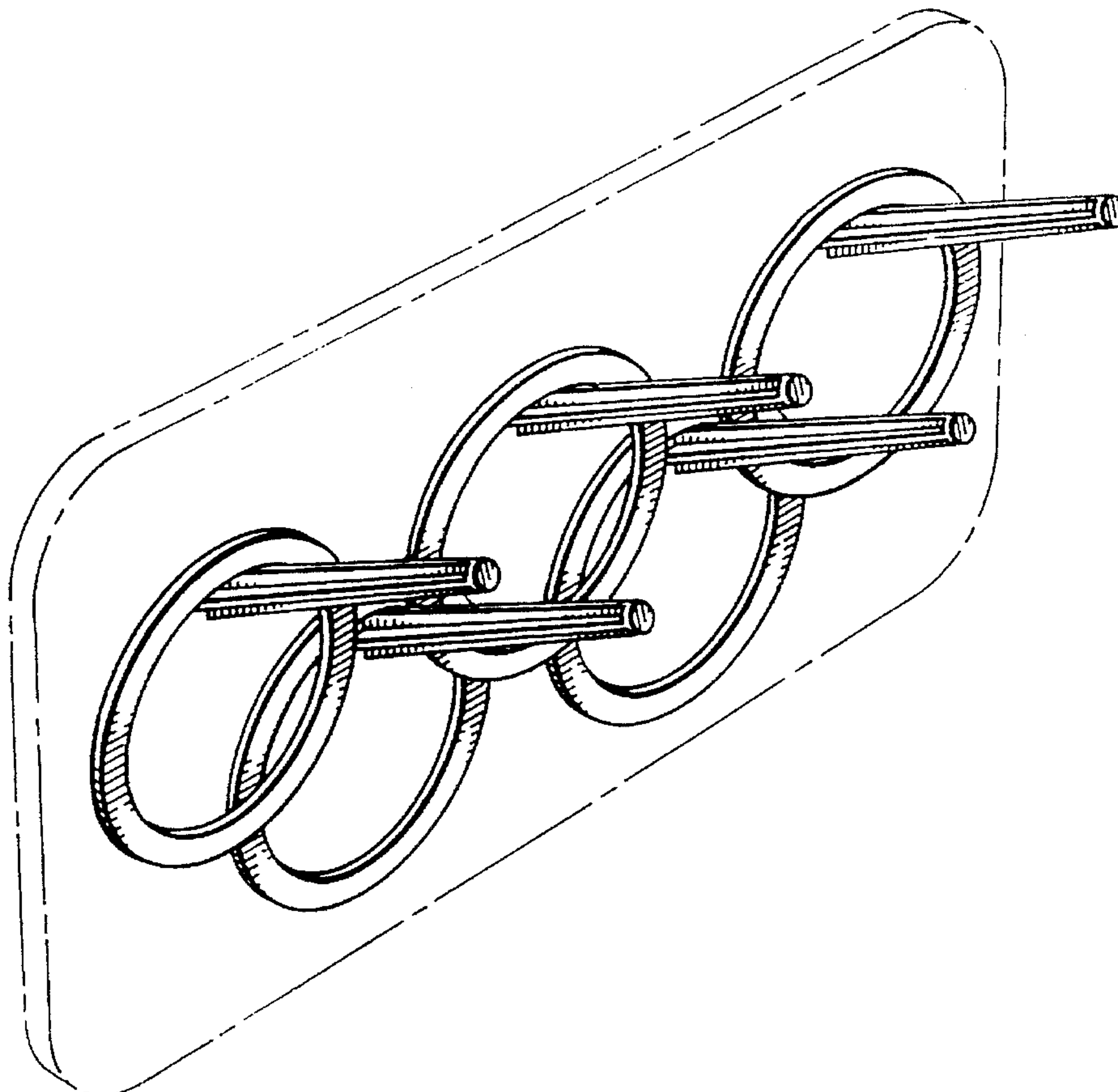
### U.S. PATENT DOCUMENTS

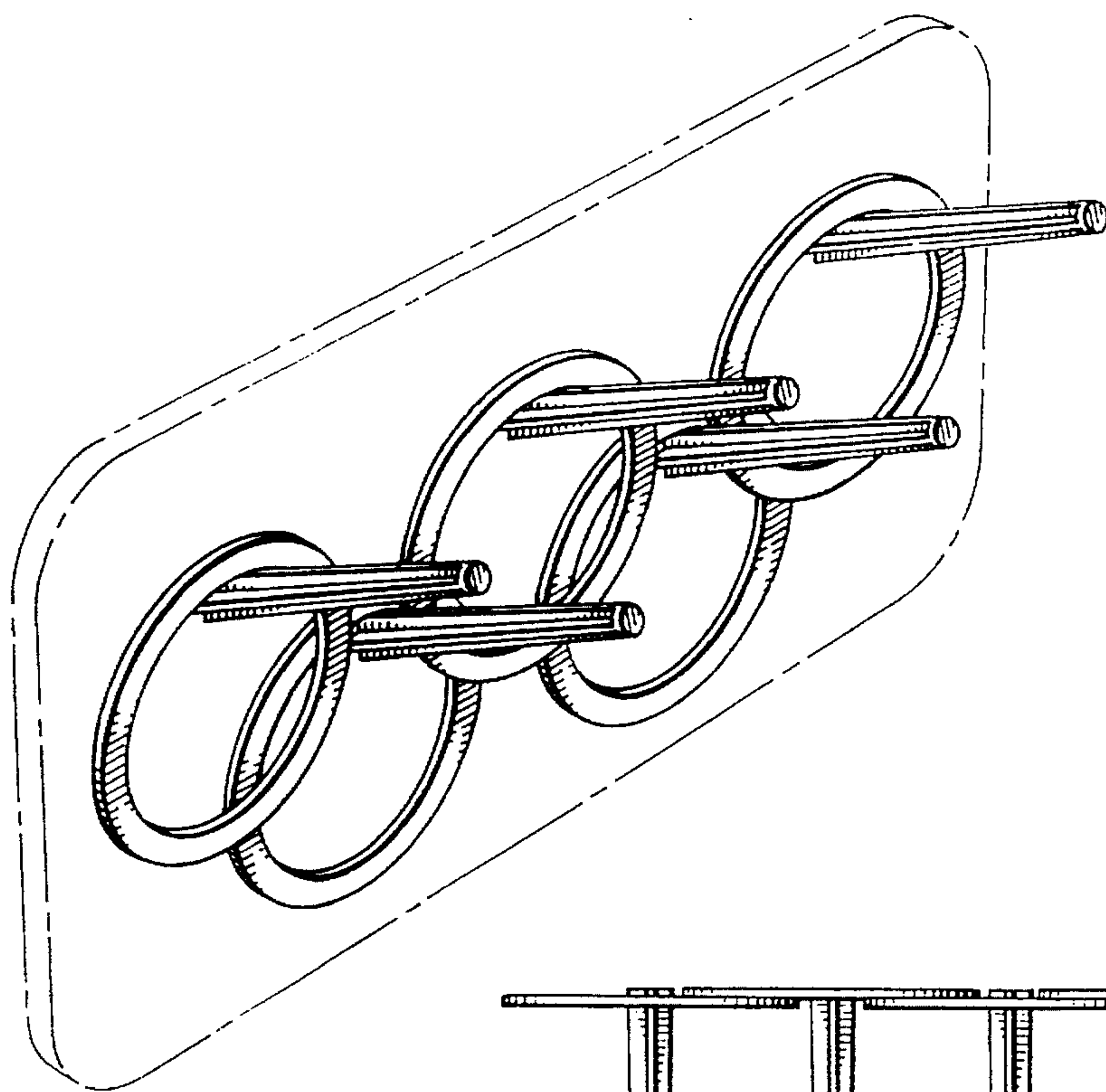
D. 288,828	3/1987	Romestan et al. ....	D21/5 X
626,328	6/1899	Kroscher et al. ....	273/338
1,542,063	6/1925	Knight .....	273/407 X
1,577,250	3/1926	Corp .....	273/337 X
1,694,917	12/1928	Hose .....	273/338
1,764,448	6/1930	Herzfeld .....	273/338 X
3,232,285	2/1966	Rasner .....	D21/5 X
3,761,094	9/1973	Belisce .....	273/338 X
3,823,942	7/1994	Duncan .....	273/338 X
4,180,266	12/1979	Morin et al. ....	273/338
4,531,745	7/1985	Leidy .....	273/336

## DESCRIPTION

FIG. 1 is a perspective view of a peg and ring game showing our new design;  
FIG. 2 is a top plan view thereof;  
FIG. 3 is a left side elevational view thereof; the right side elevational view being a mirror image thereof;  
FIG. 4 is a front elevational view thereof; and,  
FIG. 5 is a bottom plan view thereof.  
The broken line showing of a board surface in FIG. 1 is for illustrative purposes only and forms no part of the claim.

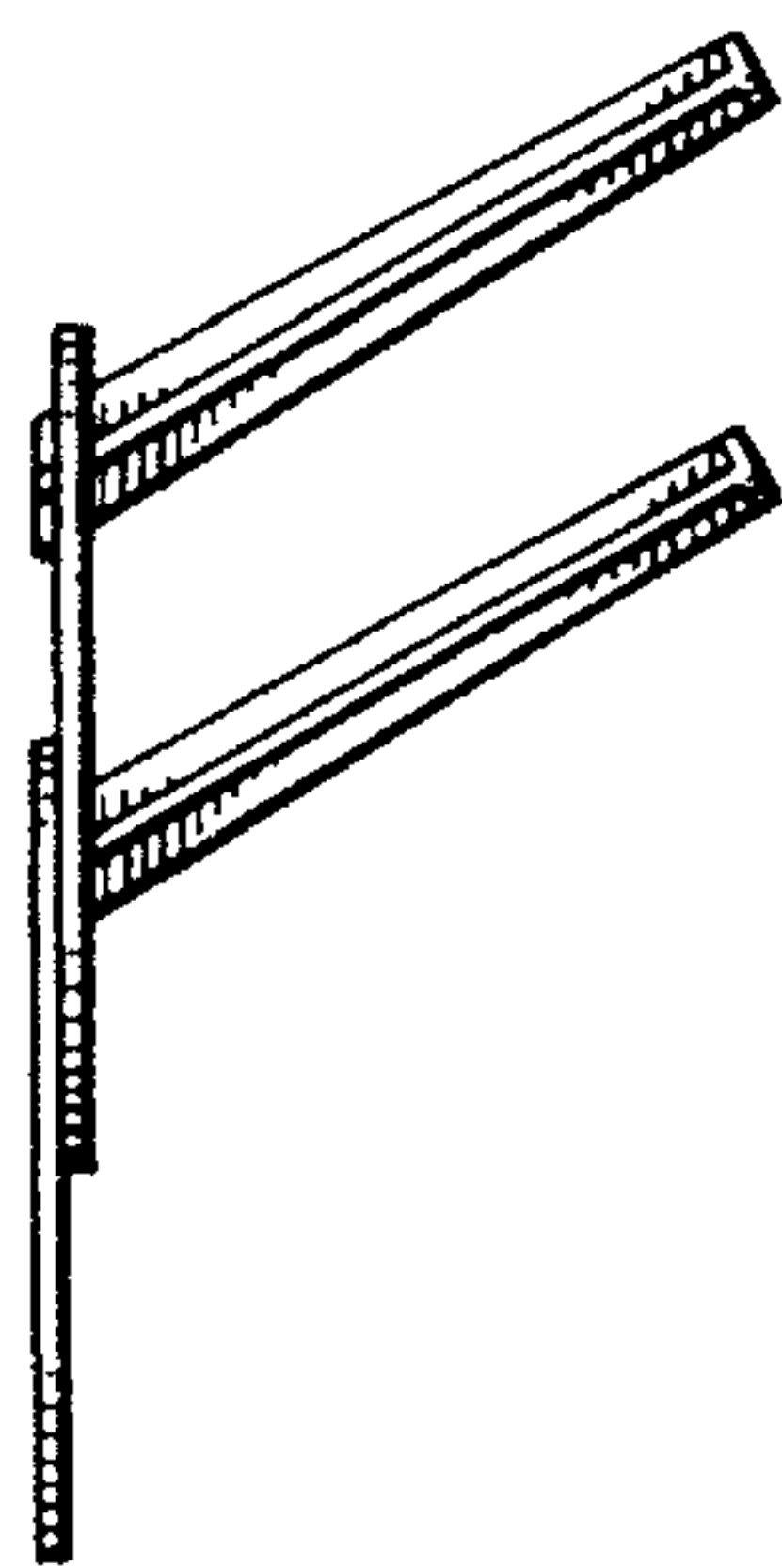
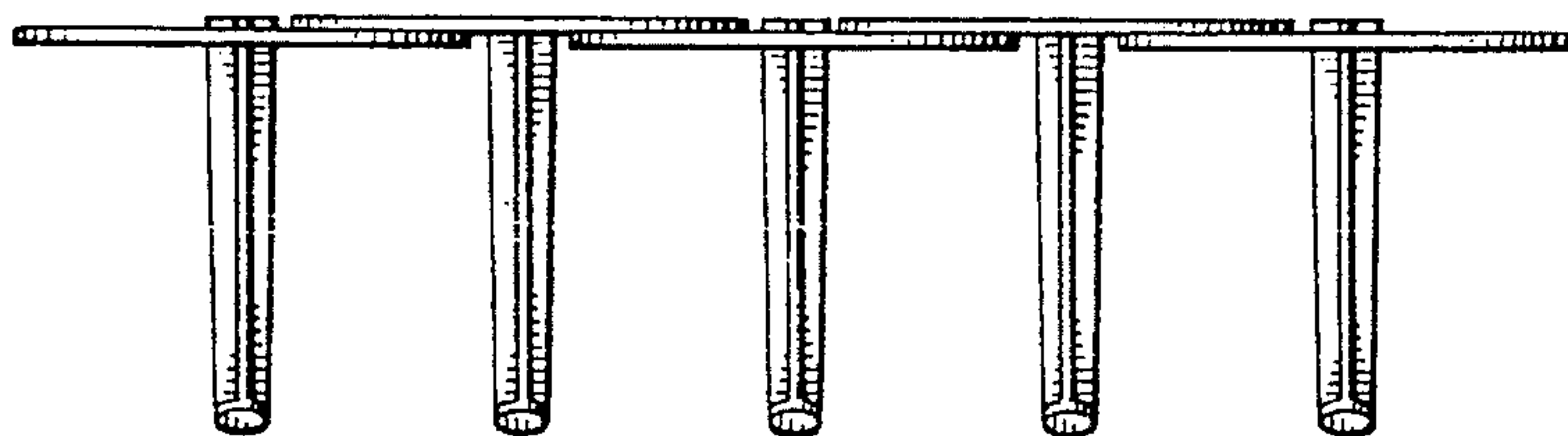
**1 Claim, 1 Drawing Sheet**



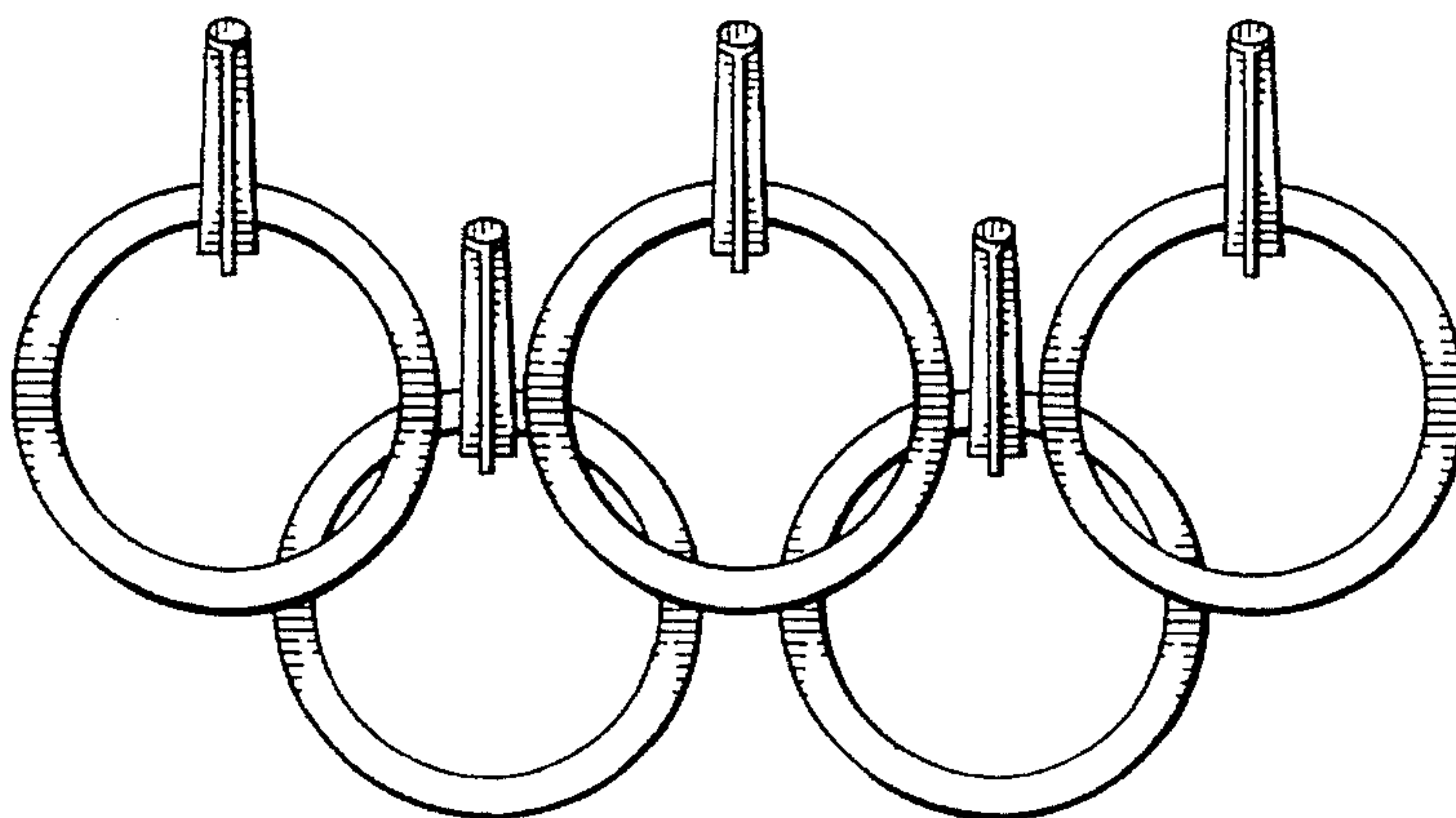


**FIG 1**

**FIG 2**



**FIG 3**



**FIG 4**

**FIG 5**

