



US00D370027S

**United States Patent** [19]  
**Wood**

[11] **Patent Number: Des. 370,027**

[45] **Date of Patent: \*\*May 21, 1996**

[54] **TALKING PHONICS INTERACTIVE LEARNING DEVICE**

4,421,487 12/1983 Laughon et al. .... 434/327 X  
4,639,225 1/1987 Washizuka ..... 434/308

[75] Inventor: **Michael C. Wood**, Berkeley, Calif.

*Primary Examiner*—A. Hugo Word  
*Assistant Examiner*—Pamela Burgess  
*Attorney, Agent, or Firm*—Graham & James

[73] Assignee: **Leapfrog RBT**, Berkeley, Calif.

[\*\*] Term: **14 Years**

[57] **CLAIM**

[21] Appl. No.: **34,352**

The ornamental design for a talking phonics interactive learning device, as shown and described.

[22] Filed: **Feb. 1, 1995**

**DESCRIPTION**

[52] U.S. Cl. .... **D19/60; D14/100**

[58] **Field of Search** ..... D19/60, 59, 62,  
D19/64; D14/115, 100; D21/13; 434/159,  
169, 201, 202, 323, 327, 339, 308

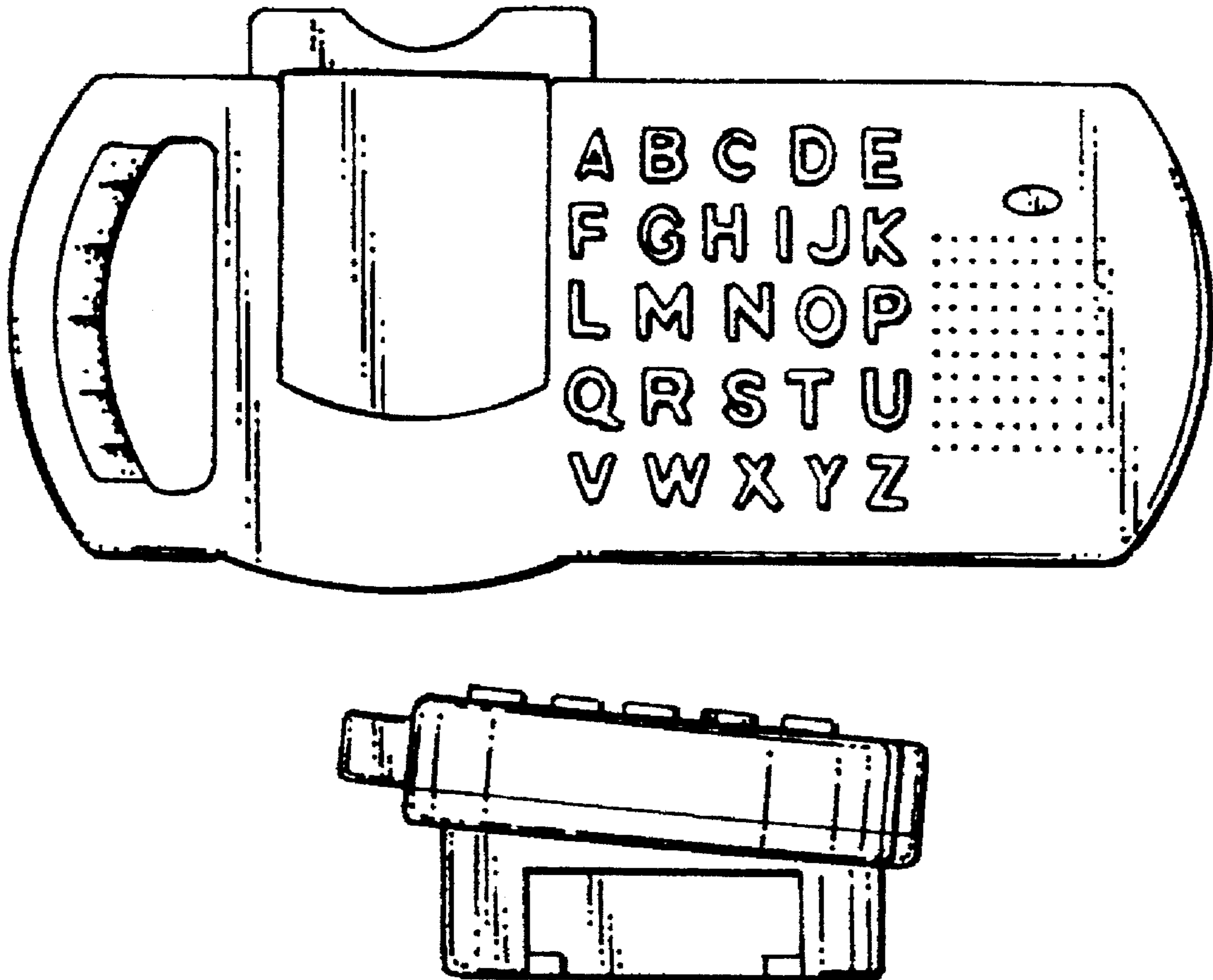
FIG. 1 is a top plan view of a talking phonics interactive learning device showing my new design;  
FIG. 2 is a front elevational view thereof, it being understood that the letters have been removed for ease of illustration only;  
FIG. 3 is a left side elevational view thereof;  
FIG. 4 is a right side elevational view thereof;  
FIG. 5 is a rear elevational view thereof; and,  
FIG. 6 is a bottom plan view thereof.

[56] **References Cited**

**U.S. PATENT DOCUMENTS**

- D. 280,217 8/1985 Tomozawa et al. .... D19/60
- D. 318,069 7/1991 Cheung et al. .... D19/60
- D. 345,377 3/1994 Poon ..... D19/60
- D. 349,691 8/1994 Takeichi et al. .... D14/100

**1 Claim, 1 Drawing Sheet**



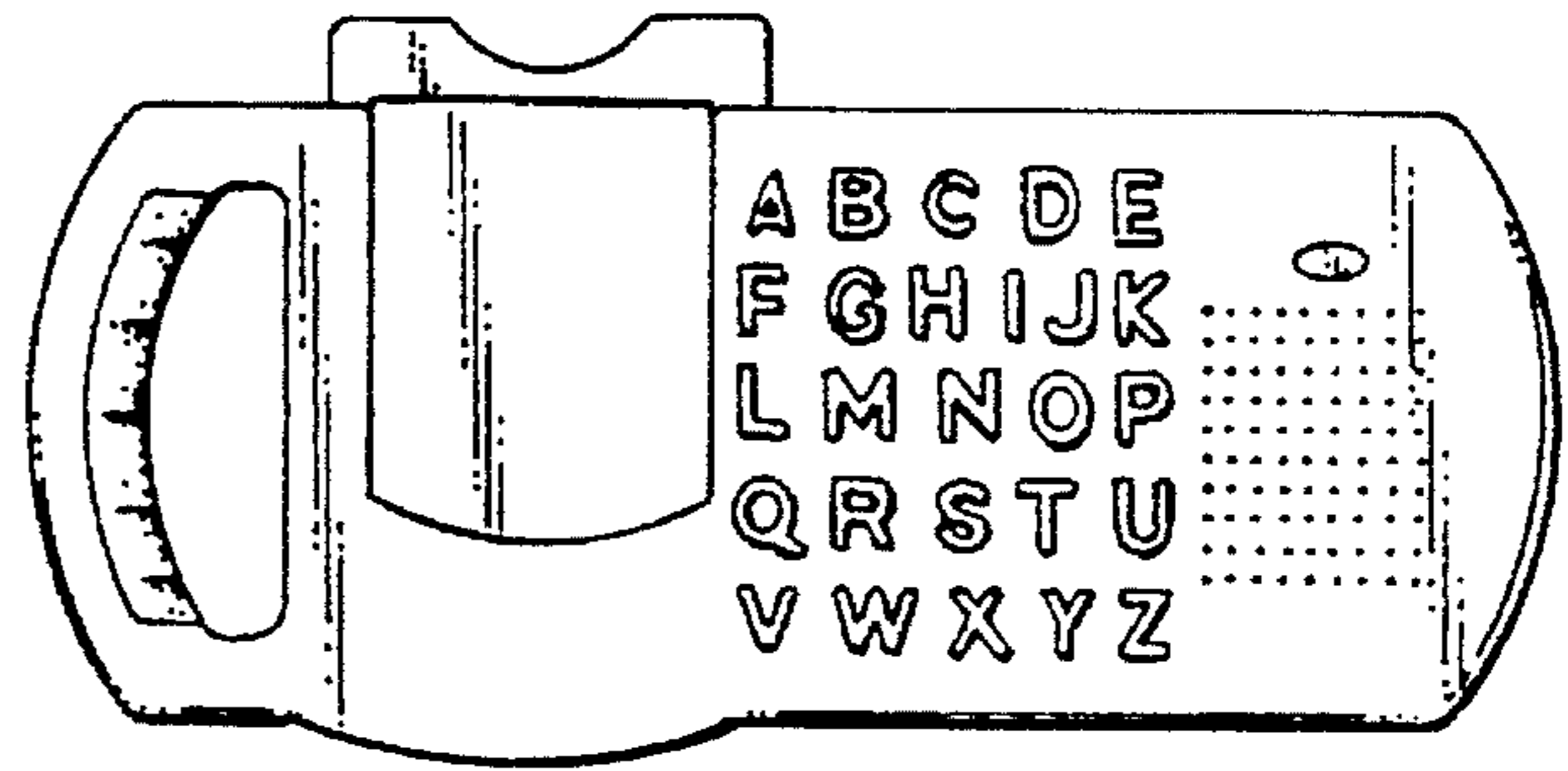


FIG. 1.

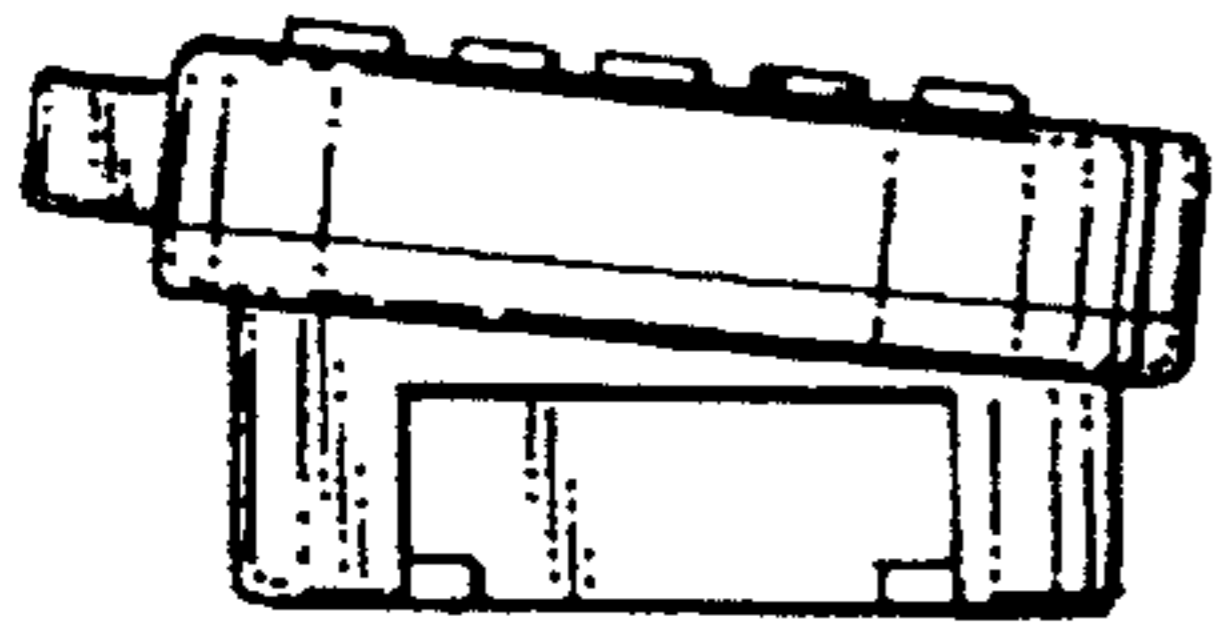


FIG. 3.

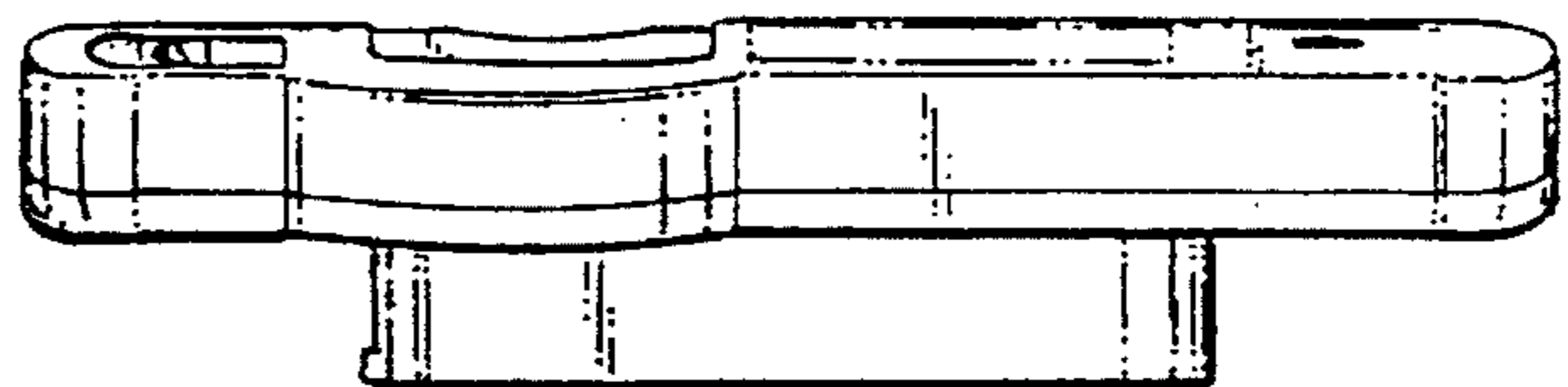


FIG. 2.

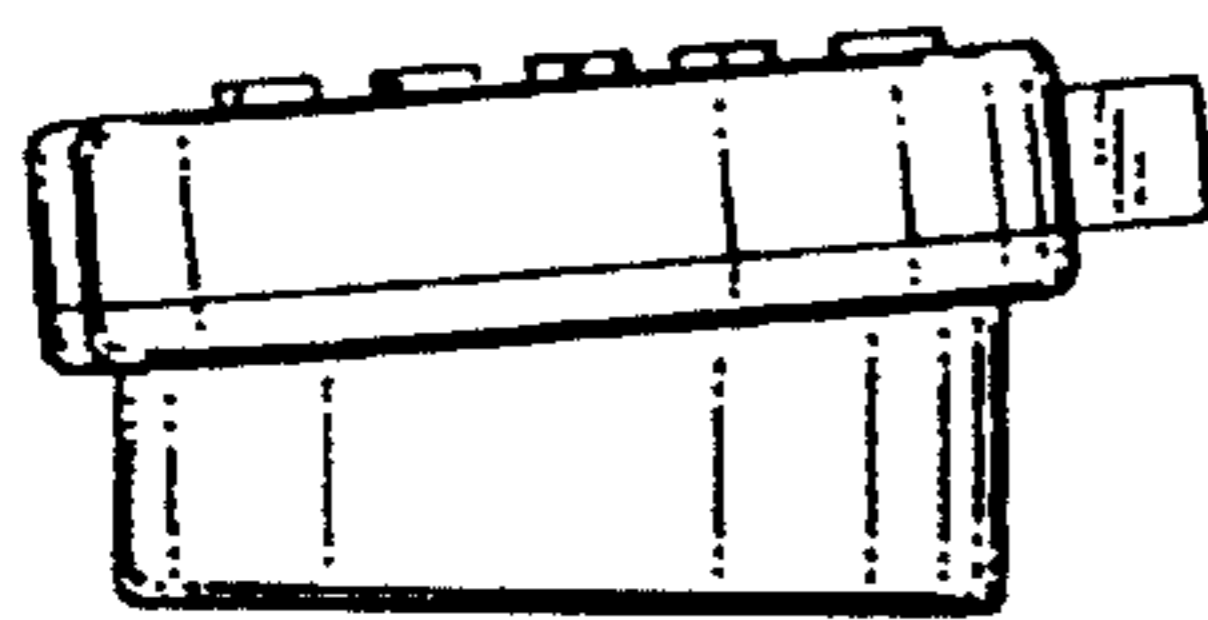


FIG. 4.

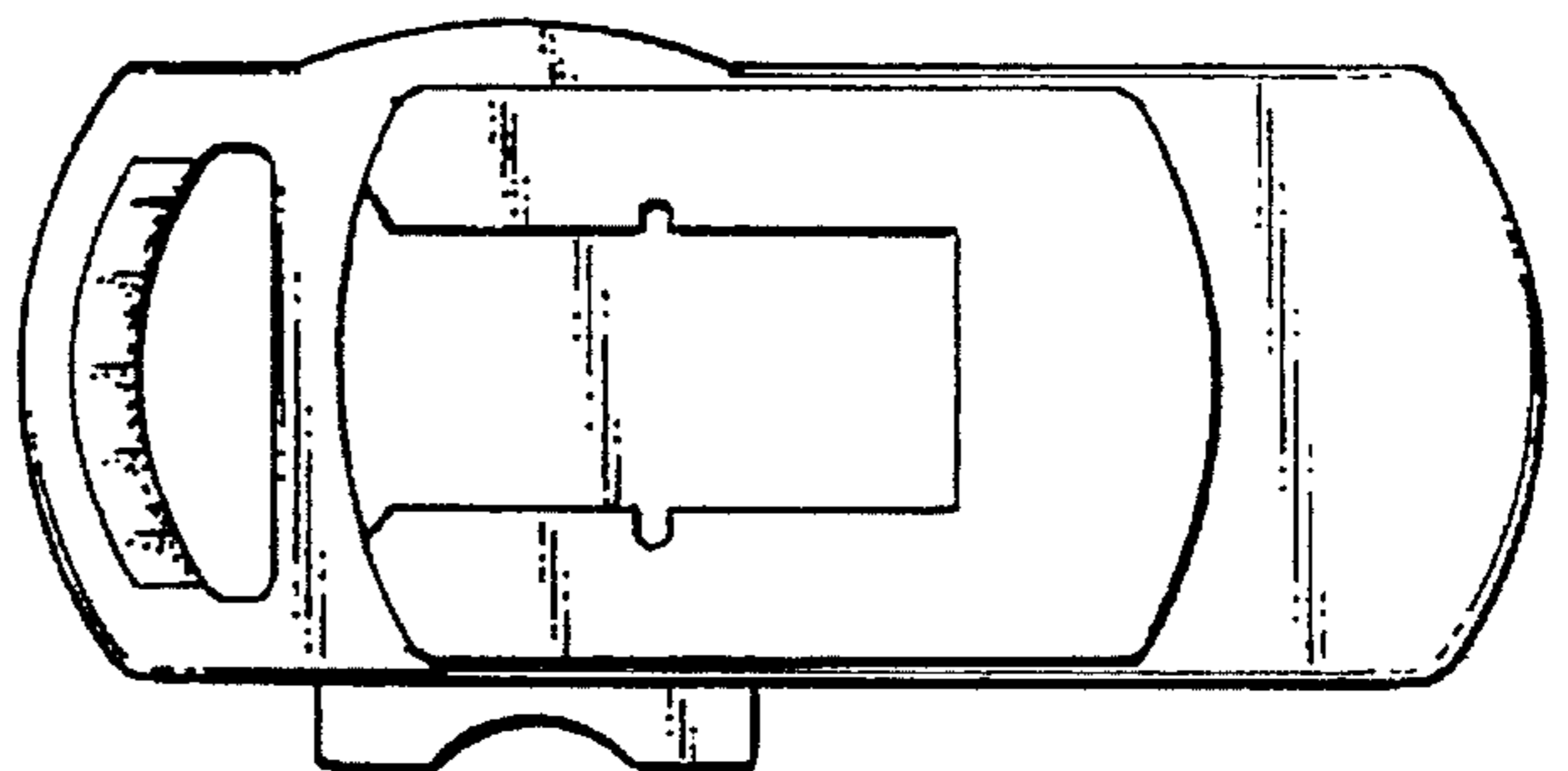


FIG. 6.

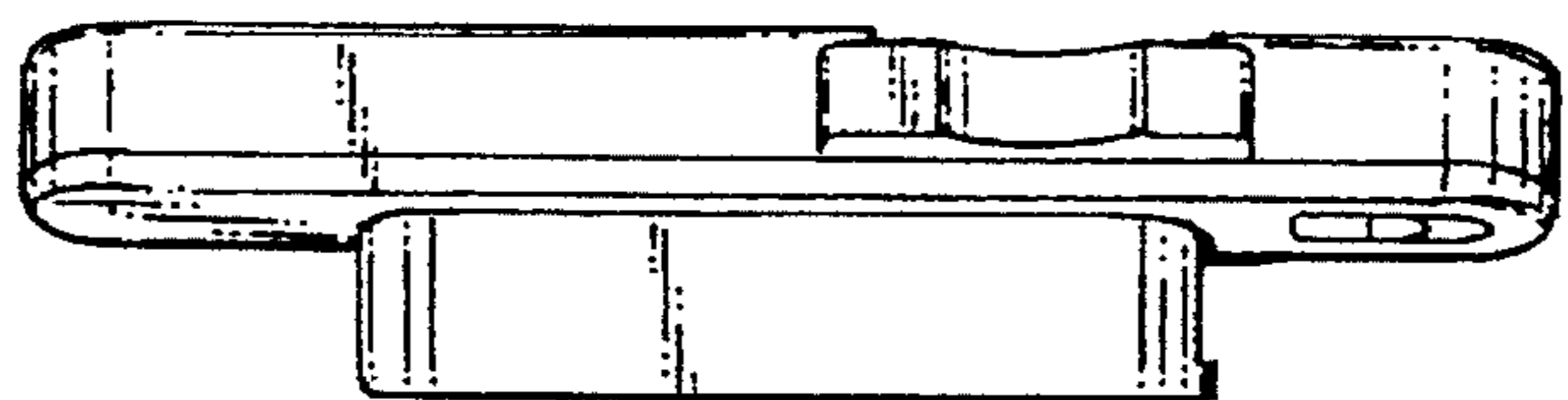


FIG. 5.