



US00D370025S

United States Patent [19]

[11] Patent Number: **Des. 370,025**

Weng

[45] Date of Patent: ****May 21, 1996**

[54] **COMBINED PRINTER AND FAX MACHINE DEVICE**

FOREIGN PATENT DOCUMENTS

[75] Inventor: **Sam Weng**, Cupertino, Calif.

65798	4/1990	Canada	D18/55
70867	4/1985	Japan	358/400
2278344	11/1994	United Kingdom	358/400

[73] Assignee: **Stylus Assets Limited**, Hong Kong

OTHER PUBLICATIONS

[**] Term: **14 Years**

Best Products Catalog; p. 4; #C Brother Plain Paper Fax #658383.

[21] Appl. No.: **30,263**

Mannesman Talley Brochure for MT360 Printer; Feb. 1993.
Hewlett Packard Brochure for HP FAX-310; Mar. 1993.

[22] Filed: **Oct. 25, 1994**

[52] U.S. Cl. **D18/50**; D14/118

Primary Examiner—Cathy Anne MacCormac
Attorney, Agent, or Firm—Ronald L. Yin; Limbach & Limbach

[58] Field of Search D18/50, 54-55;
400/613, 613.1-613.4, 690, 690.1-690.4;
D14/118; 358/400

[57] **CLAIM**

[56] **References Cited**

The ornamental design for a combined printer and fax machine device, as shown and described.

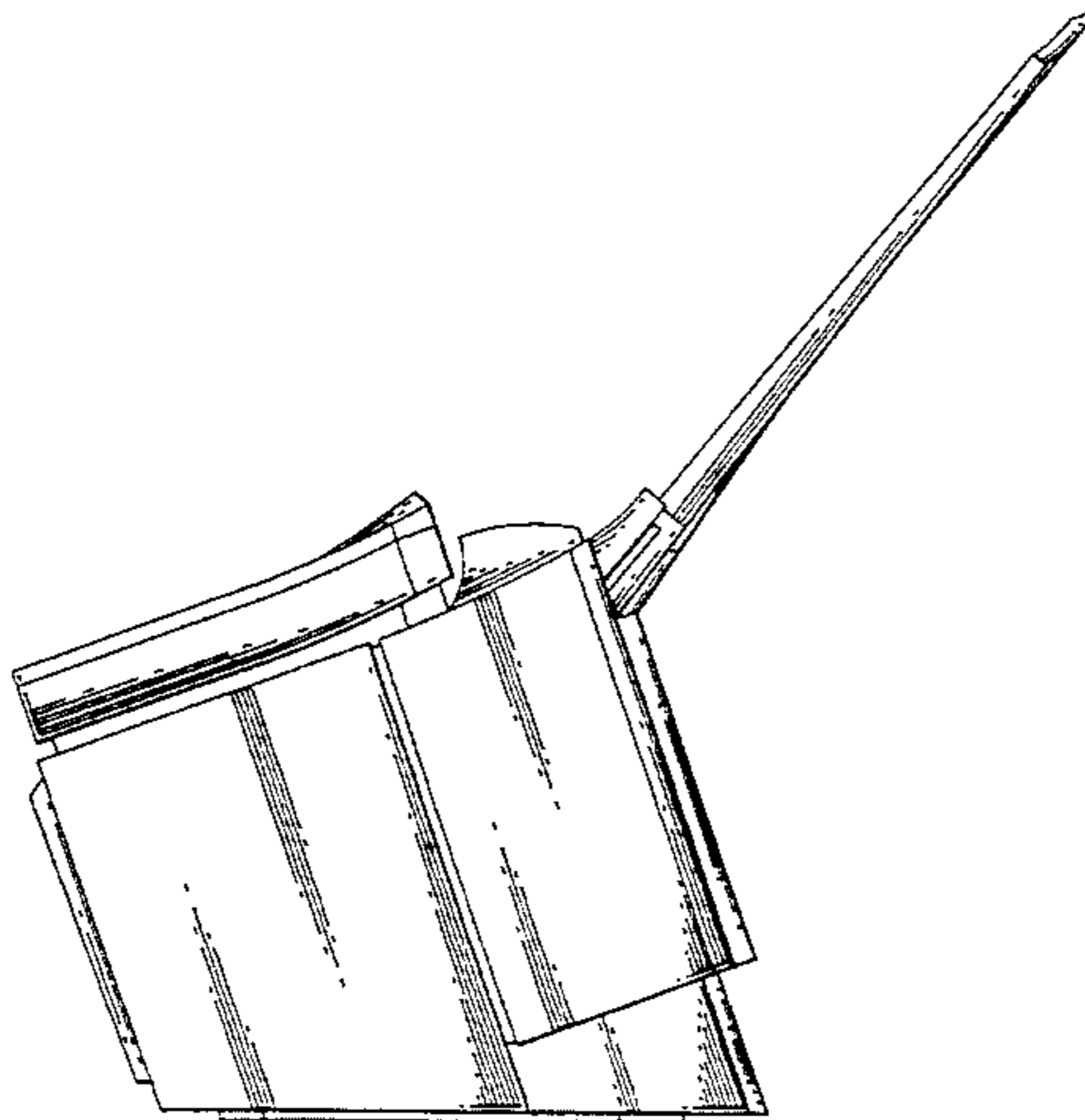
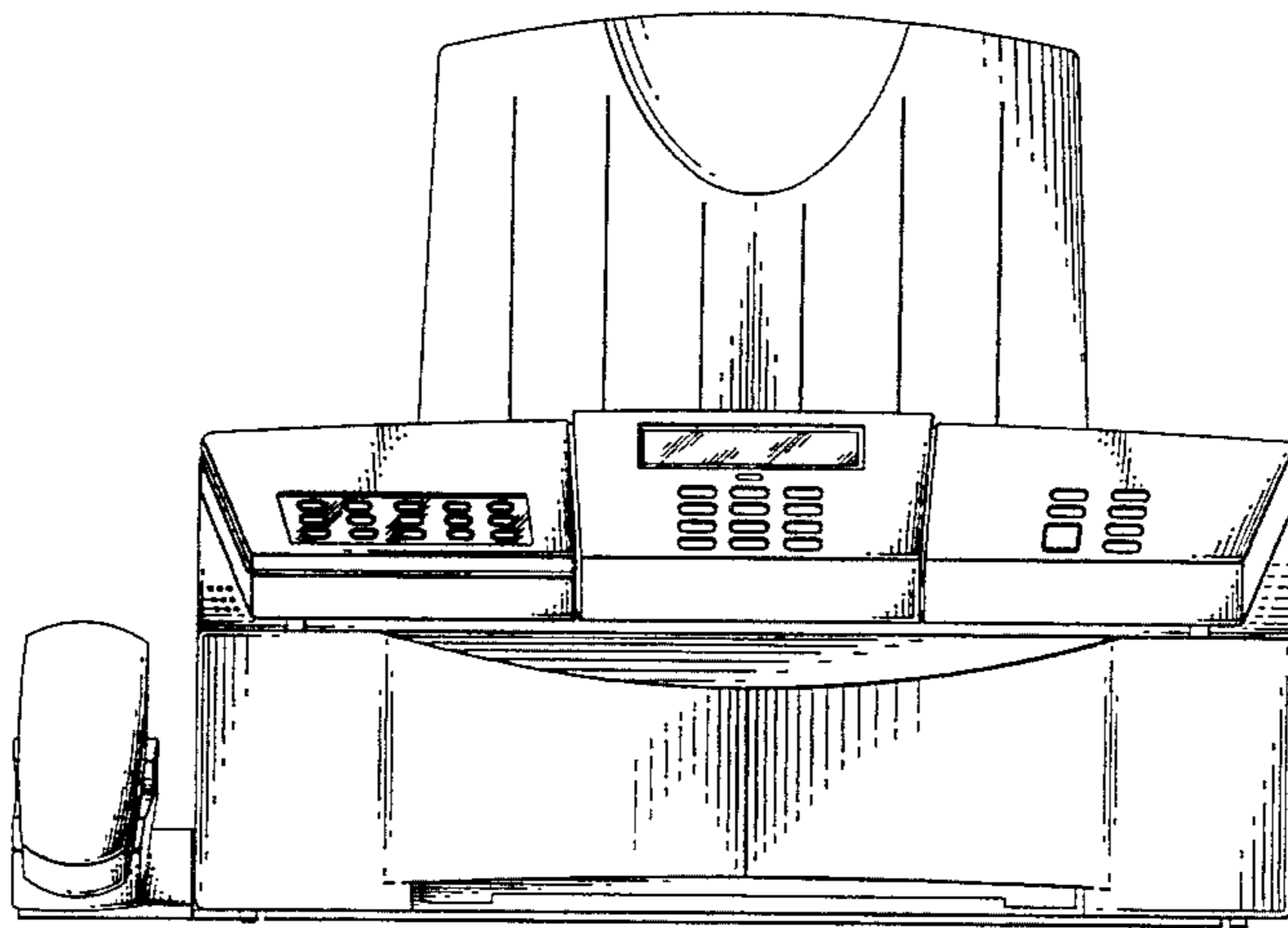
U.S. PATENT DOCUMENTS

DESCRIPTION

D. 315,151	3/1991	Tamano et al.	D14/118
D. 323,158	1/1992	Mizuno et al.	D14/118
D. 331,752	12/1992	Kashiwabara et al.	D14/118
D. 332,606	1/1993	Tanizawa et al.	D14/118
D. 333,836	3/1993	Kelimen et al.	D18/55
D. 334,382	3/1993	Dow	D14/118
D. 344,080	2/1994	Omino	D14/118
D. 345,154	3/1994	Kashiwabara et al.	D14/118
5,072,307	12/1991	Shirakoshi et al.	358/400
5,387,980	2/1995	Baitz	358/400

FIG. 1 is a front and top perspective view of the combined printer and fax machine showing my new design;
FIG. 2 is a top plan view thereof;
FIG. 3 is a right side elevational view thereof;
FIG. 4 is a left side elevational view thereof; and,
FIG. 5 is a rear elevational view thereof.

1 Claim, 5 Drawing Sheets



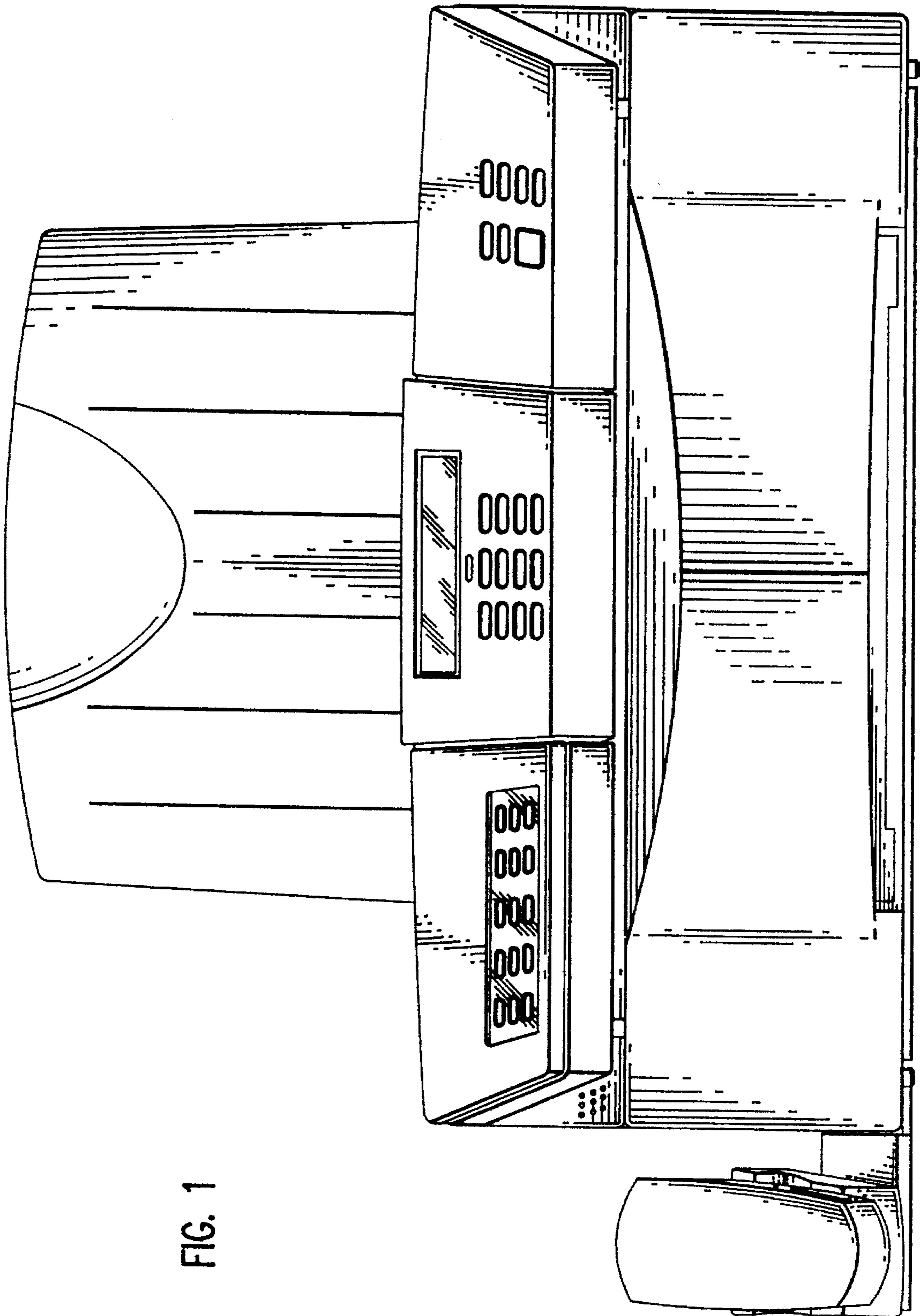


FIG. 1

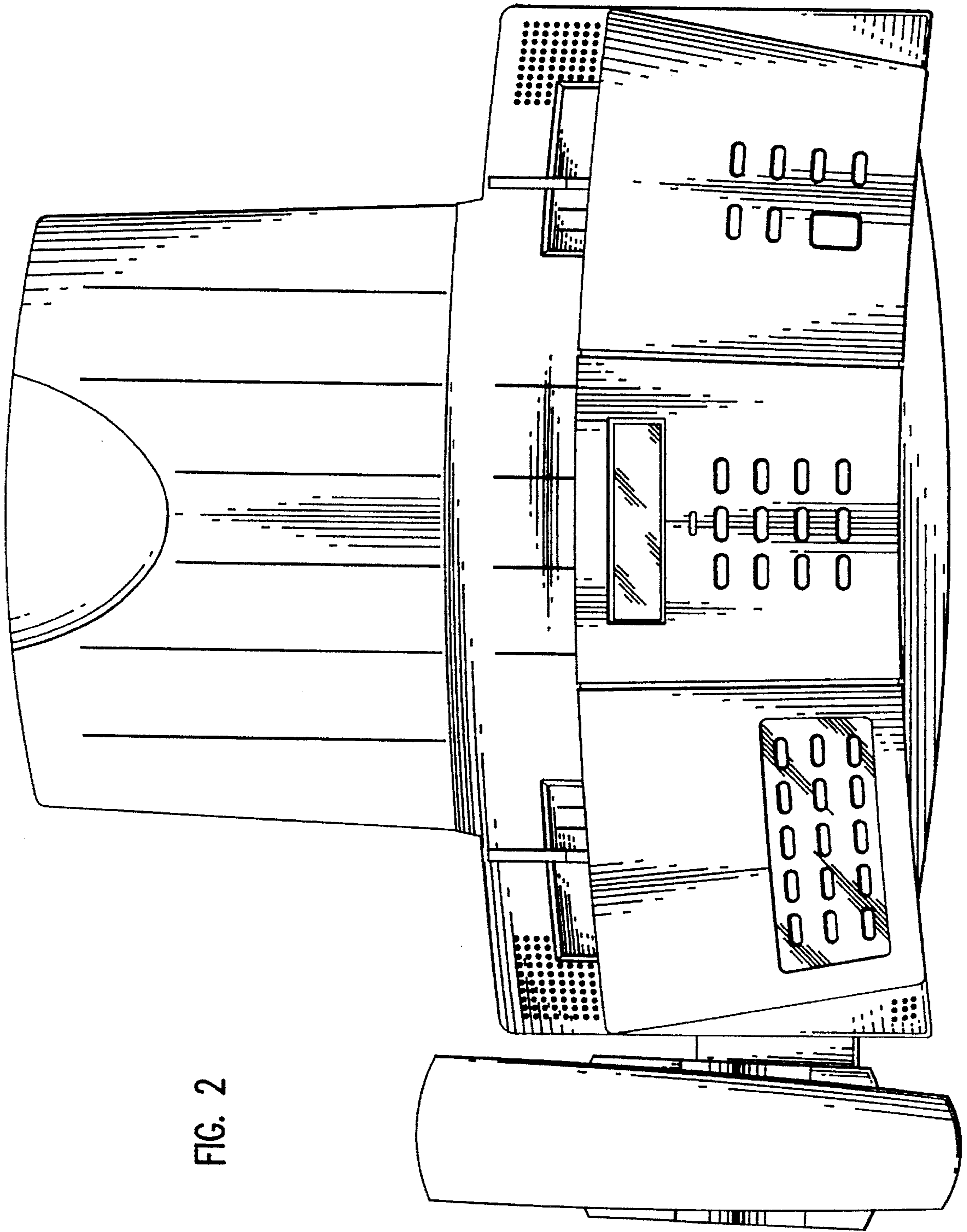
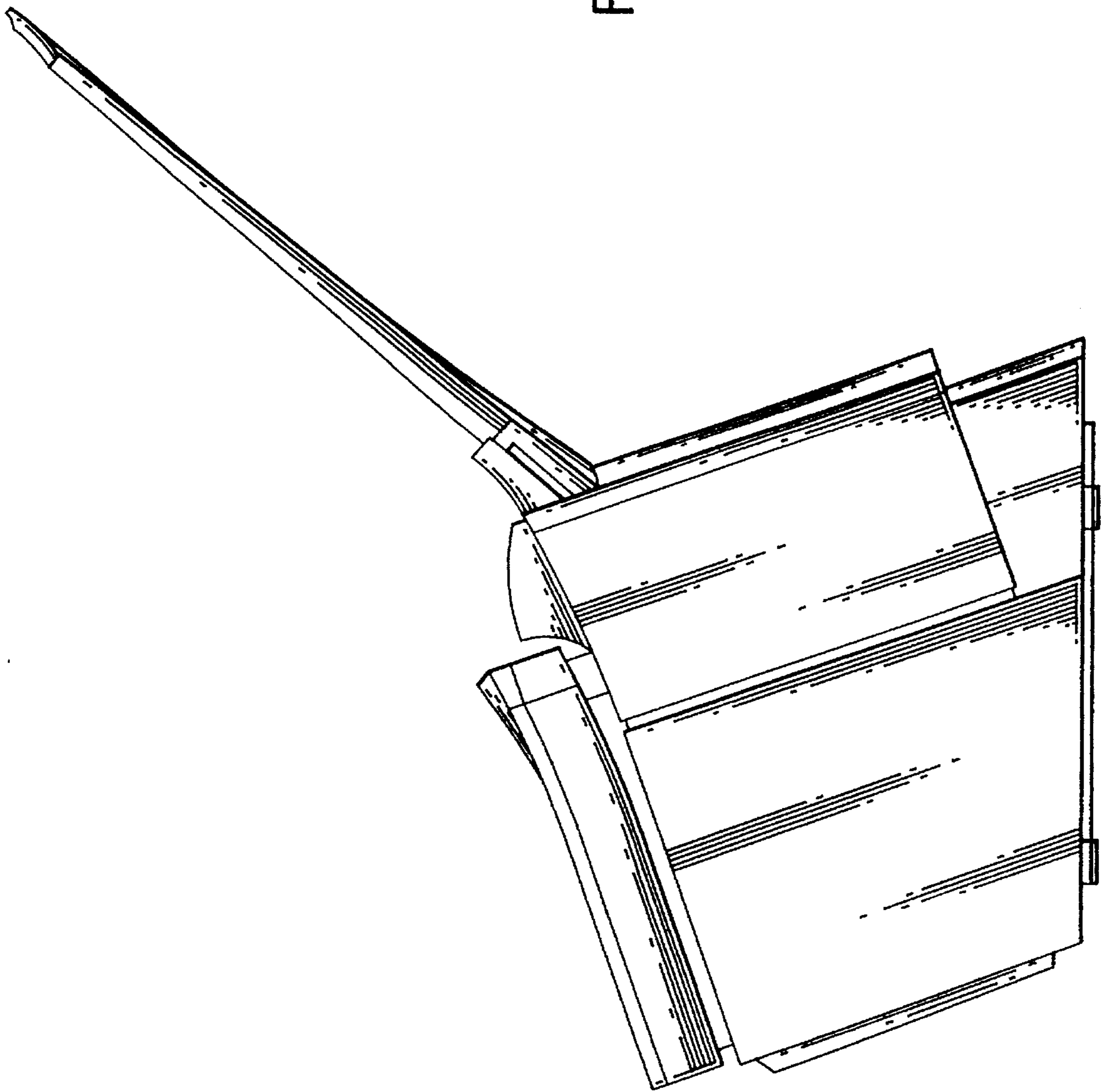


FIG. 2

FIG. 3



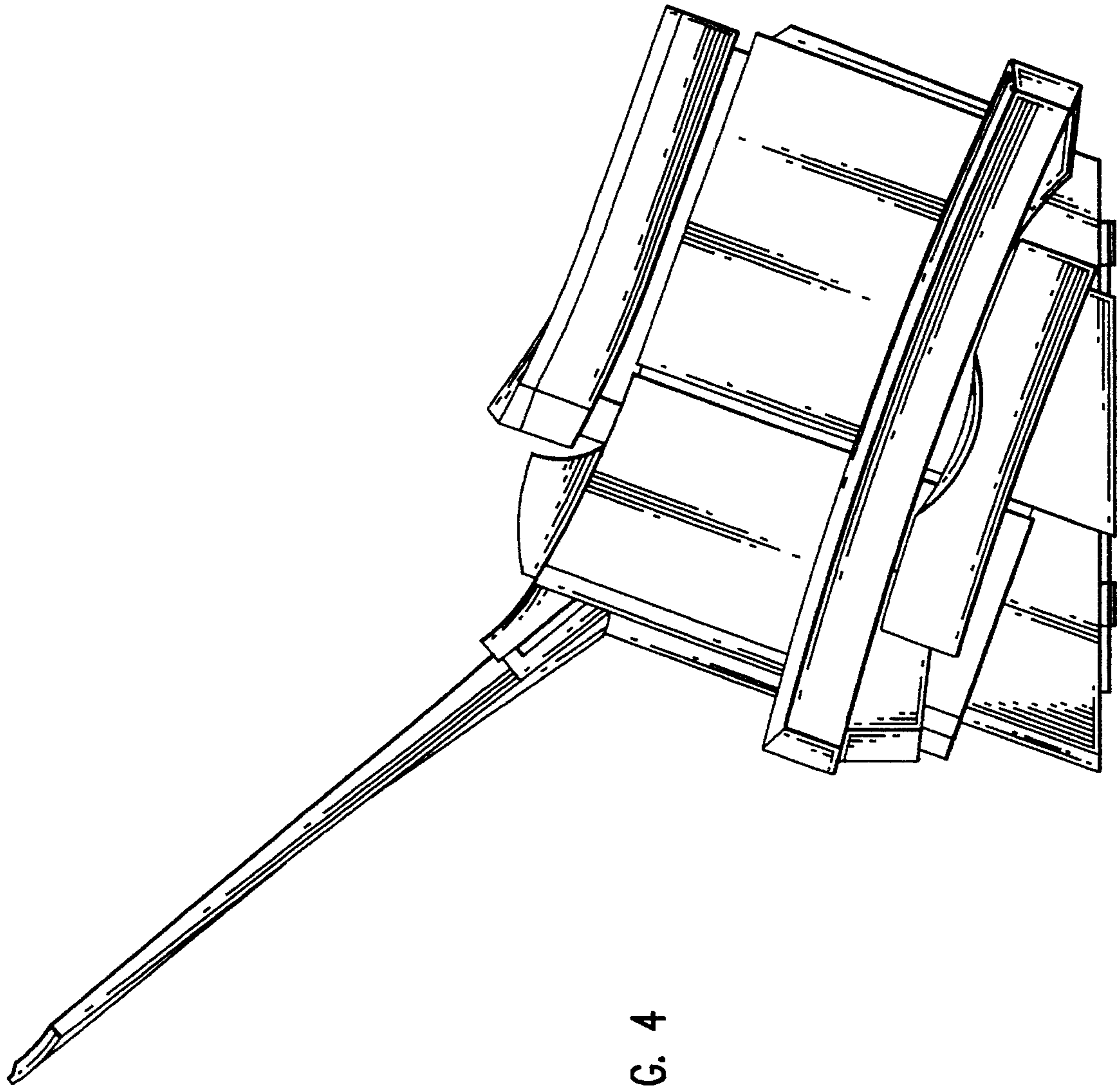


FIG. 4

FIG. 5

