



US00D370024S

United States Patent [19]

[11] Patent Number: **Des. 370,024**

Yasuda et al.

[45] Date of Patent: ****May 21, 1996**

[54] **DEVELOPING UNIT FOR A REPROGRAPHIC APPARATUS**

[75] Inventors: **Koichi Yasuda, Yao; Hiroki Morishita,**
Nara, both of Japan

[73] Assignee: **Mita Industrial Co., Ltd.,** Osaka,
Japan

[**] Term: **14 Years**

[21] Appl. No.: **28,162**

[22] Filed: **Sep. 8, 1994**

[30] **Foreign Application Priority Data**

Mar. 11, 1994 [JP] Japan 6-6394

[52] U.S. Cl. **D18/43**

[58] Field of Search D18/40, 43, 36;
355/200, 245, 260

[56] **References Cited**

U.S. PATENT DOCUMENTS

D. 286,542	11/1986	Saito	D18/43
4,740,767	4/1988	Kawano et al.	355/260
4,849,791	7/1989	Hagihara et al.	355/260 X

Primary Examiner—Alan P. Douglas
Assistant Examiner—Caron D. Veynar
Attorney, Agent, or Firm—Spencer & Frank

[57] **CLAIM**

The ornamental design for a developing unit for a reprographic apparatus, as shown.

DESCRIPTION

FIG. 1 is a top plan view of a developing unit for a reprographic apparatus;
FIG. 2 is a front elevational view of a developing unit for a reprographic apparatus;
FIG. 3 is a bottom plan view of a developing unit for a reprographic apparatus;
FIG. 4 is a rear elevational view of a developing unit for a reprographic apparatus;
FIG. 5 is a left side elevational view of a developing unit for a reprographic apparatus;
FIG. 6 is a right side elevational view of a developing unit for a reprographic apparatus;
FIG. 7 is a top, front and right side perspective view of a developing unit for a reprographic apparatus; and,
FIG. 8 is a partial bottom perspective view of a developing unit for a reprographic apparatus.

1 Claim, 5 Drawing Sheets

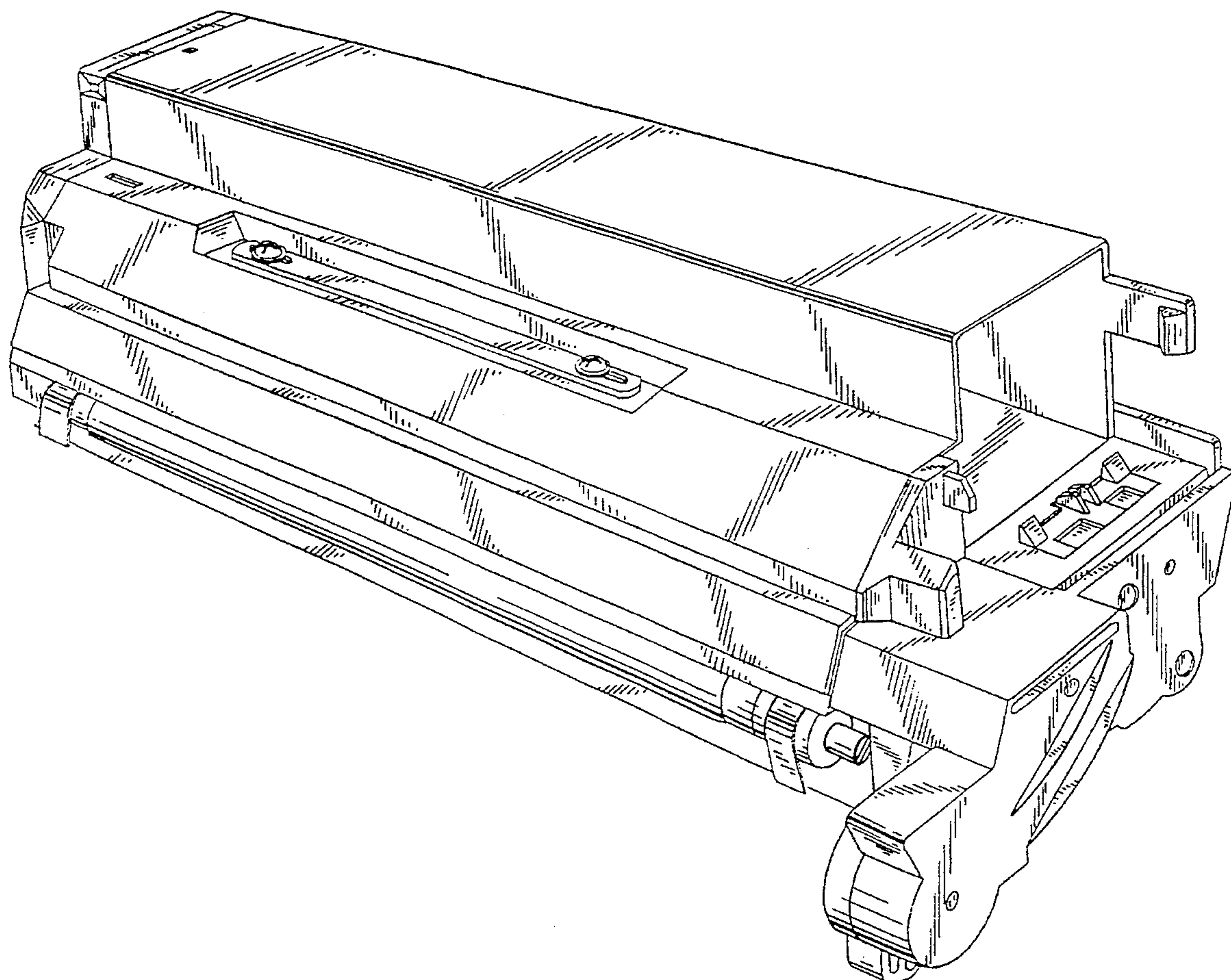


FIG. 1

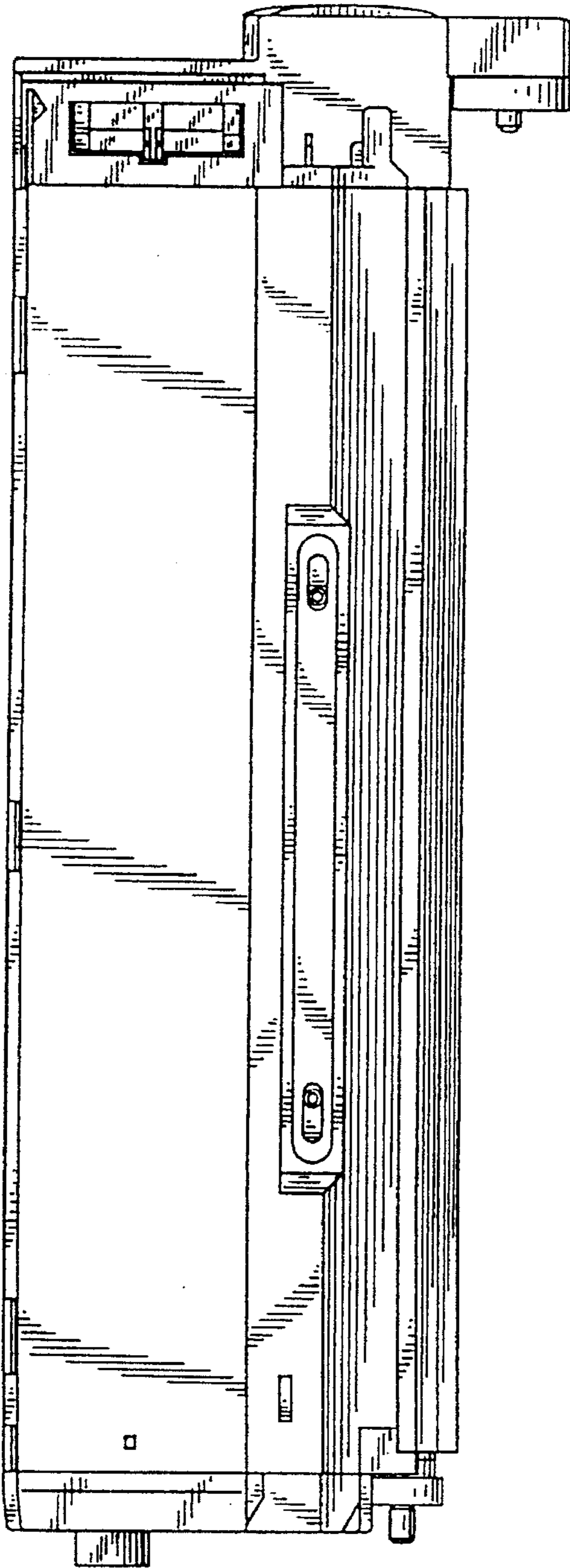


FIG. 2

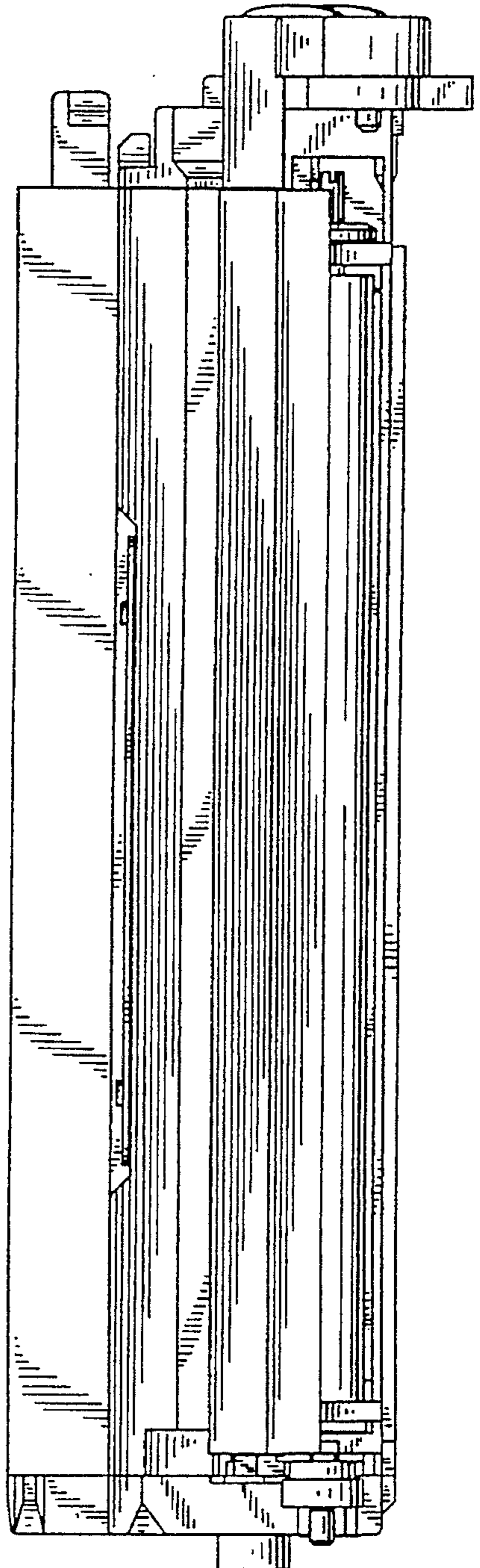


FIG. 3

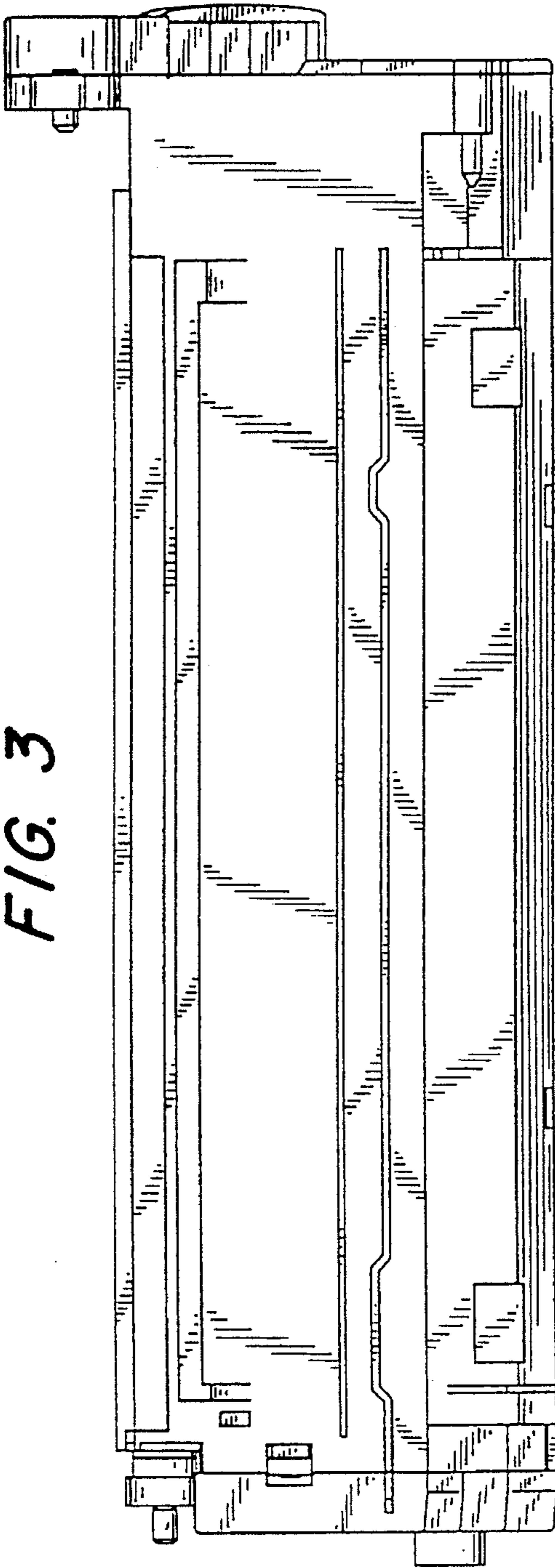


FIG. 4

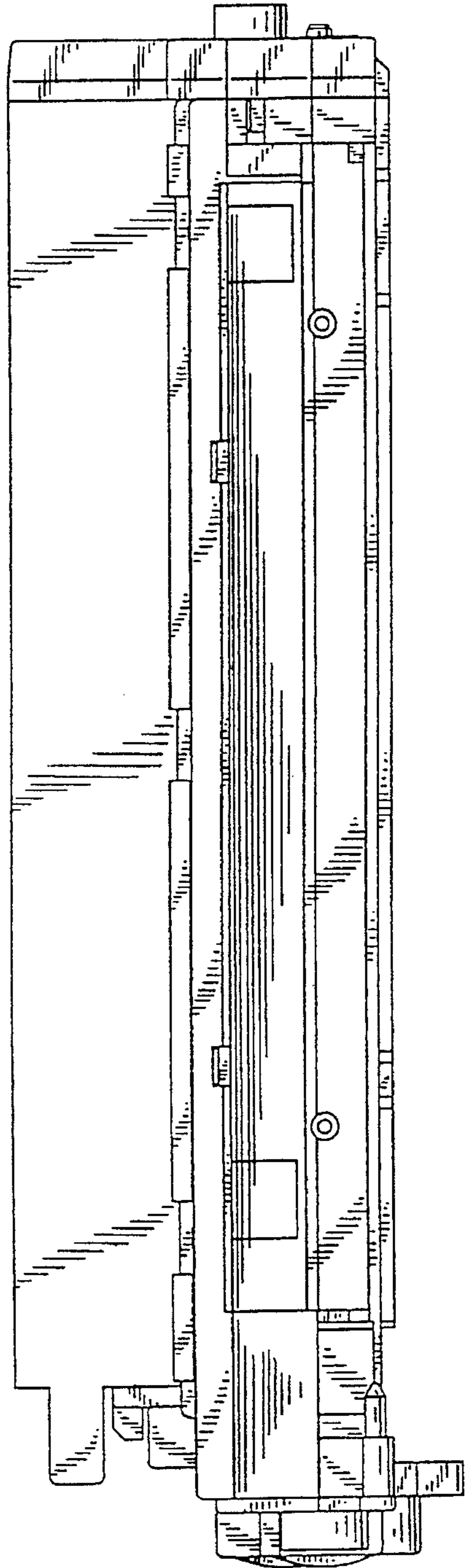


FIG. 6

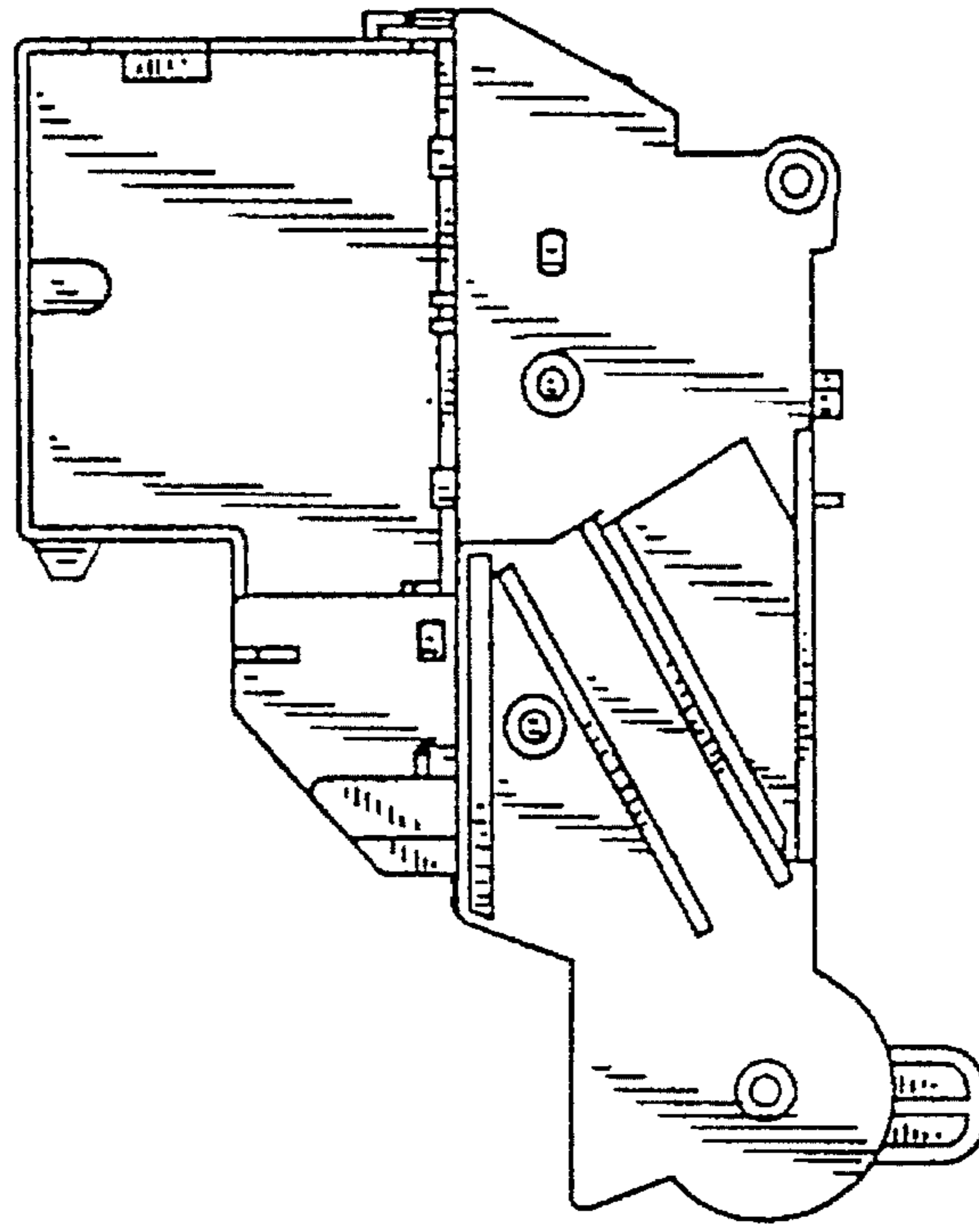
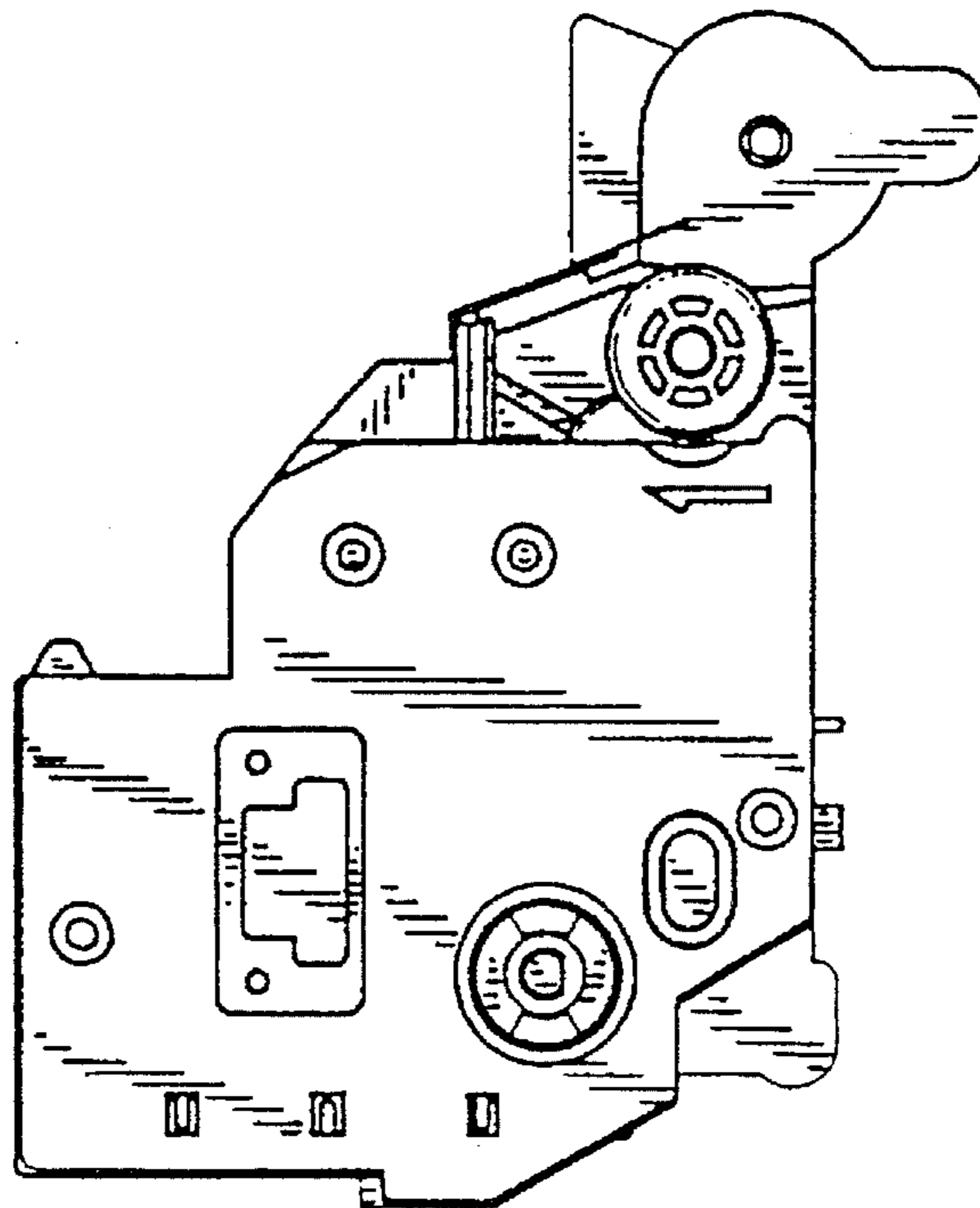


FIG. 5



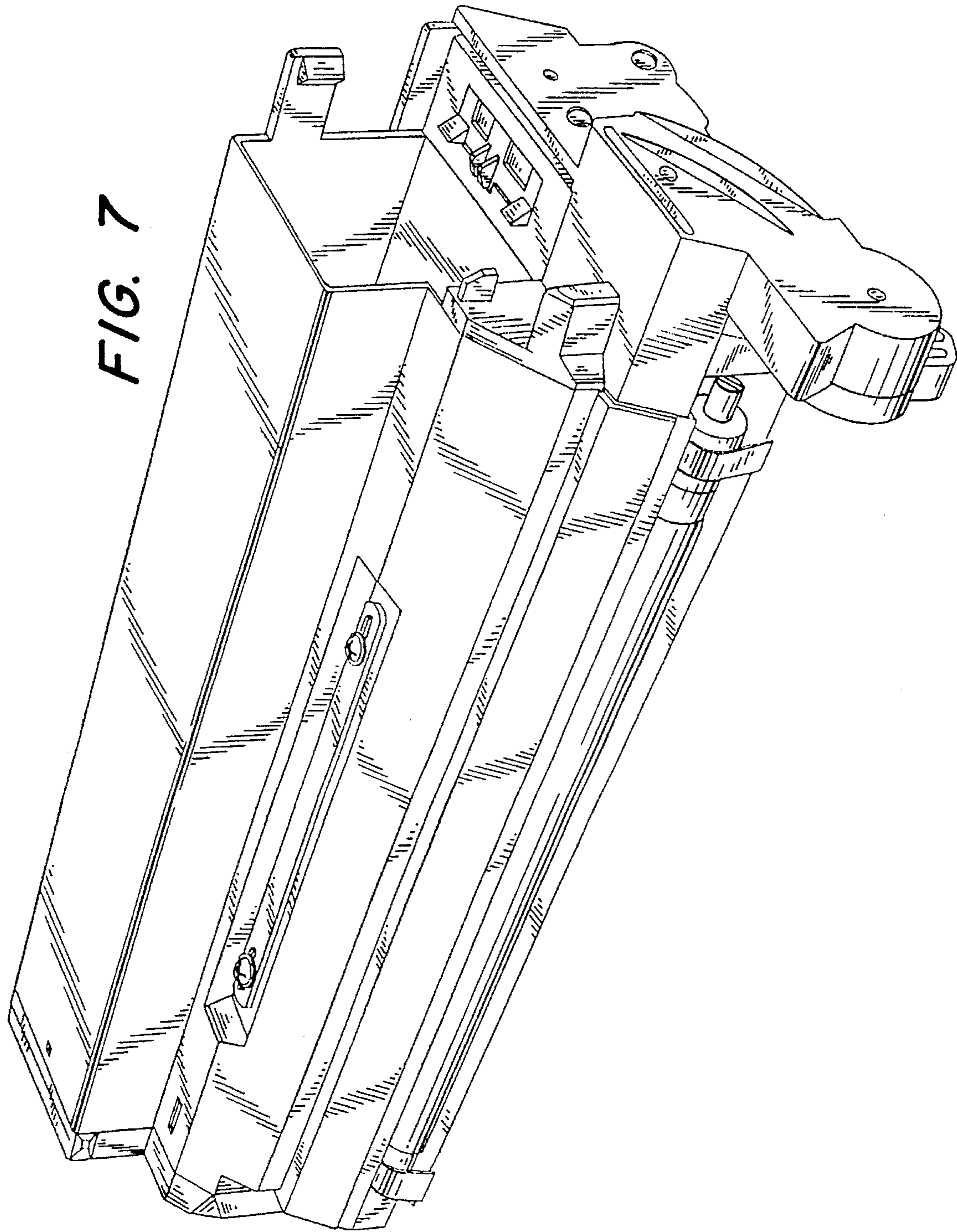


FIG. 7

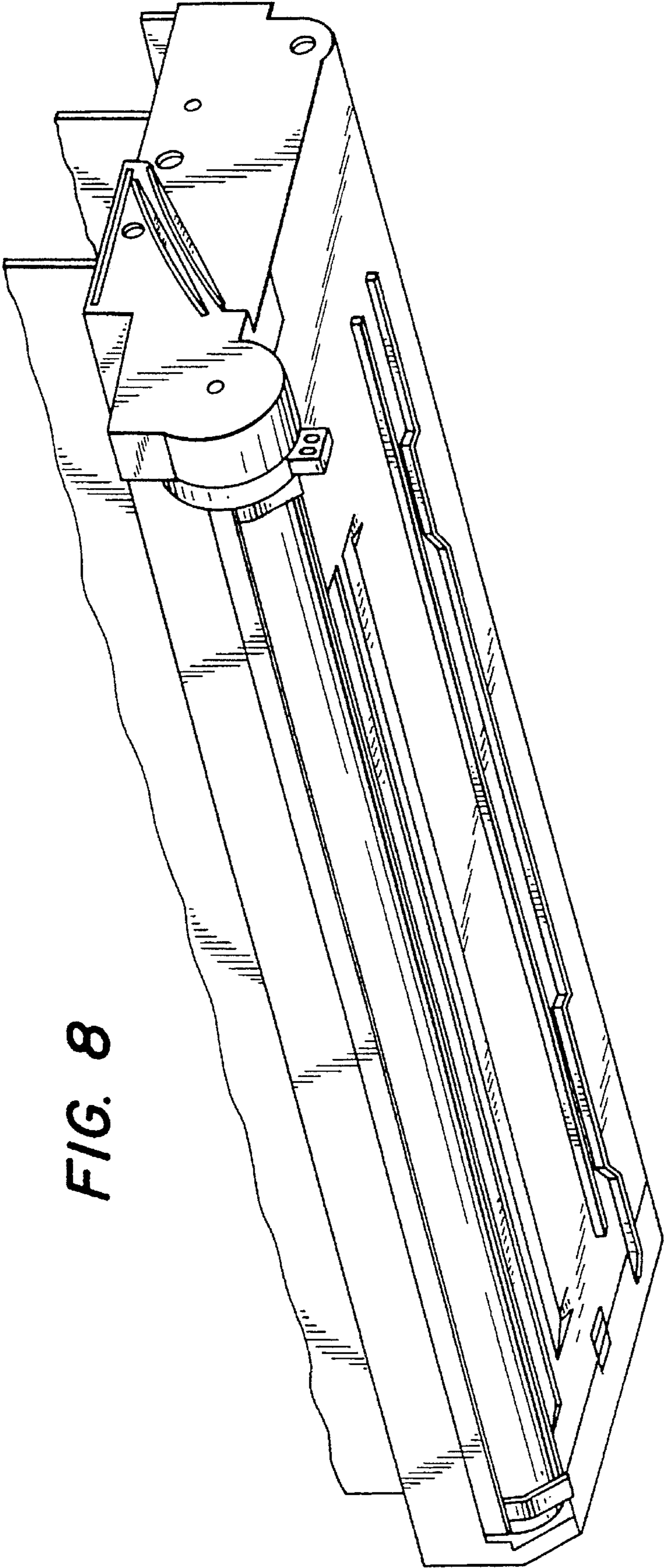


FIG. 8