



US00D370020S

United States Patent [19]

[11] Patent Number: **Des. 370,020**

Levy et al.

[45] Date of Patent: ****May 21, 1996**

[54] **PNEUMATIC TOBACCO SEPARATOR**

4,137,155 1/1979 Clin et al. 209/149 X

[75] Inventors: **Sam Levy; James H. Lowe, Jr.**, both of Richmond, Va.

4,465,194 8/1984 Coleman .

4,915,824 4/1990 Surtess 209/139.1

[73] Assignee: **MacTavish Machine Manufacturing Company**, Richmond, Va.

Primary Examiner—Antoine Duval Davis
Attorney, Agent, or Firm—Norman B. Rainer

[**] Term: **14 Years**

[57] CLAIM

[21] Appl. No.: **32,187**

The ornamental design for a pneumatic tobacco separator, as shown and described.

[22] Filed: **Dec. 14, 1994**

DESCRIPTION

[52] U.S. Cl. **D15/147**

FIG. 1 is a rear perspective view of a pneumatic tobacco separator showing my new design;

[58] **Field of Search** D15/147; D27/194;
131/109.2, 290, 312, 313, 319; 209/133,
134, 137, 138, 139.2, 141, 147, 149, 153,
154, 639, 638, 664

FIG. 2 is a rear view thereof;

FIG. 3 is a front view thereof;

FIG. 4 is a top view thereof;

FIG. 5 is a left side view; and,

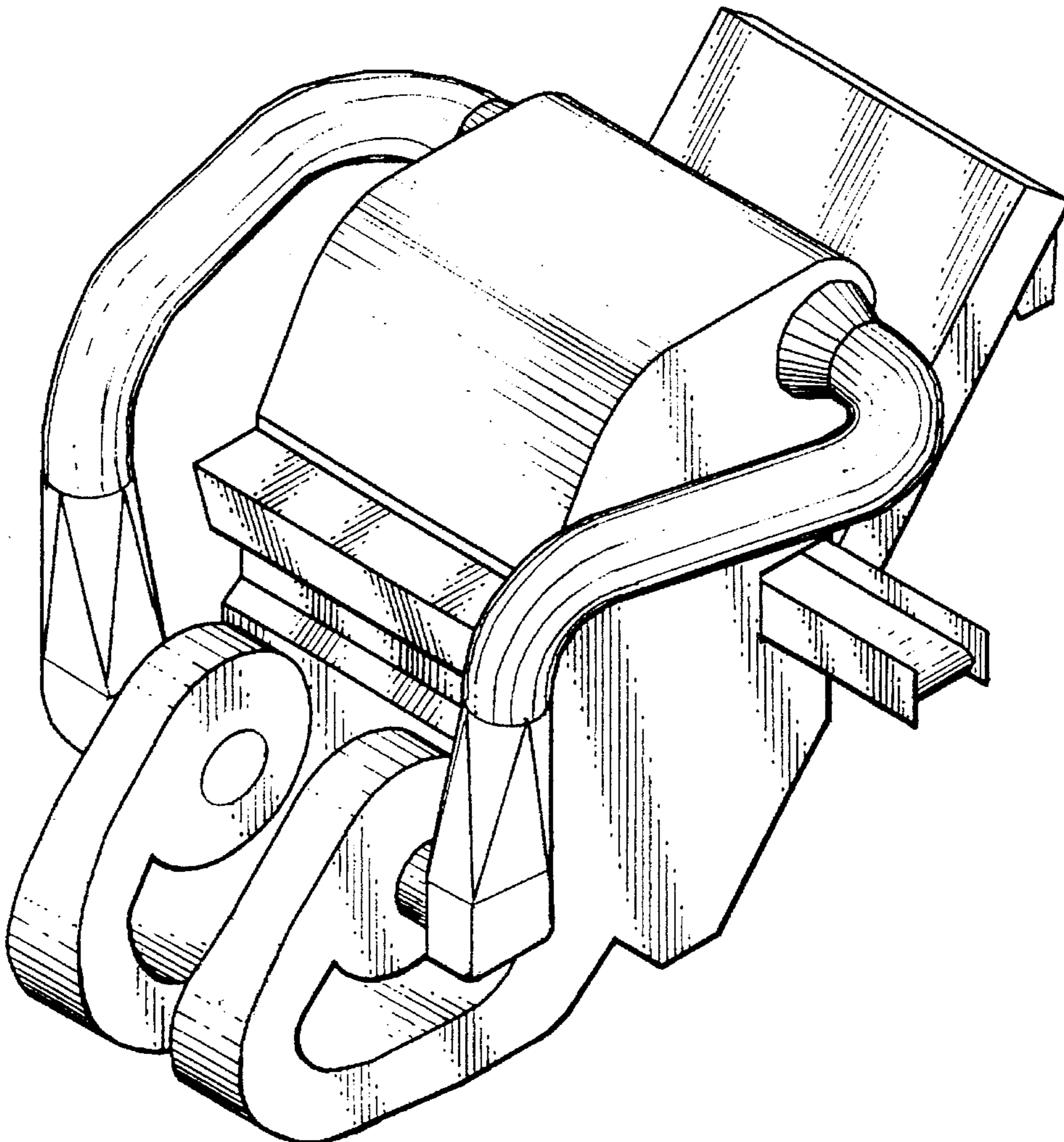
FIG. 6 is a right side view.

[56] References Cited

U.S. PATENT DOCUMENTS

D. 306,600 3/1990 Drits et al. D15/147

1 Claim, 2 Drawing Sheets



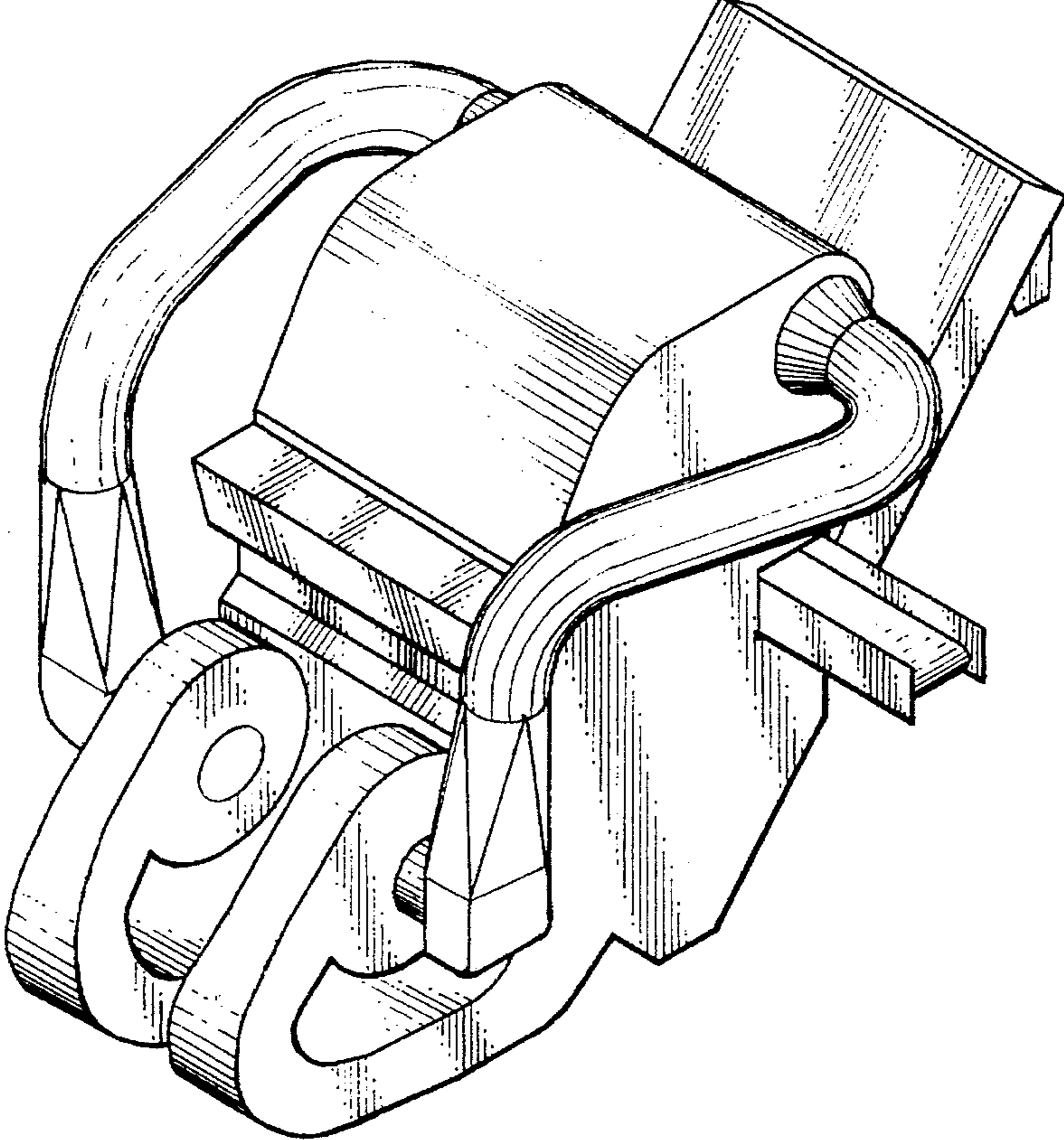


FIG. 1

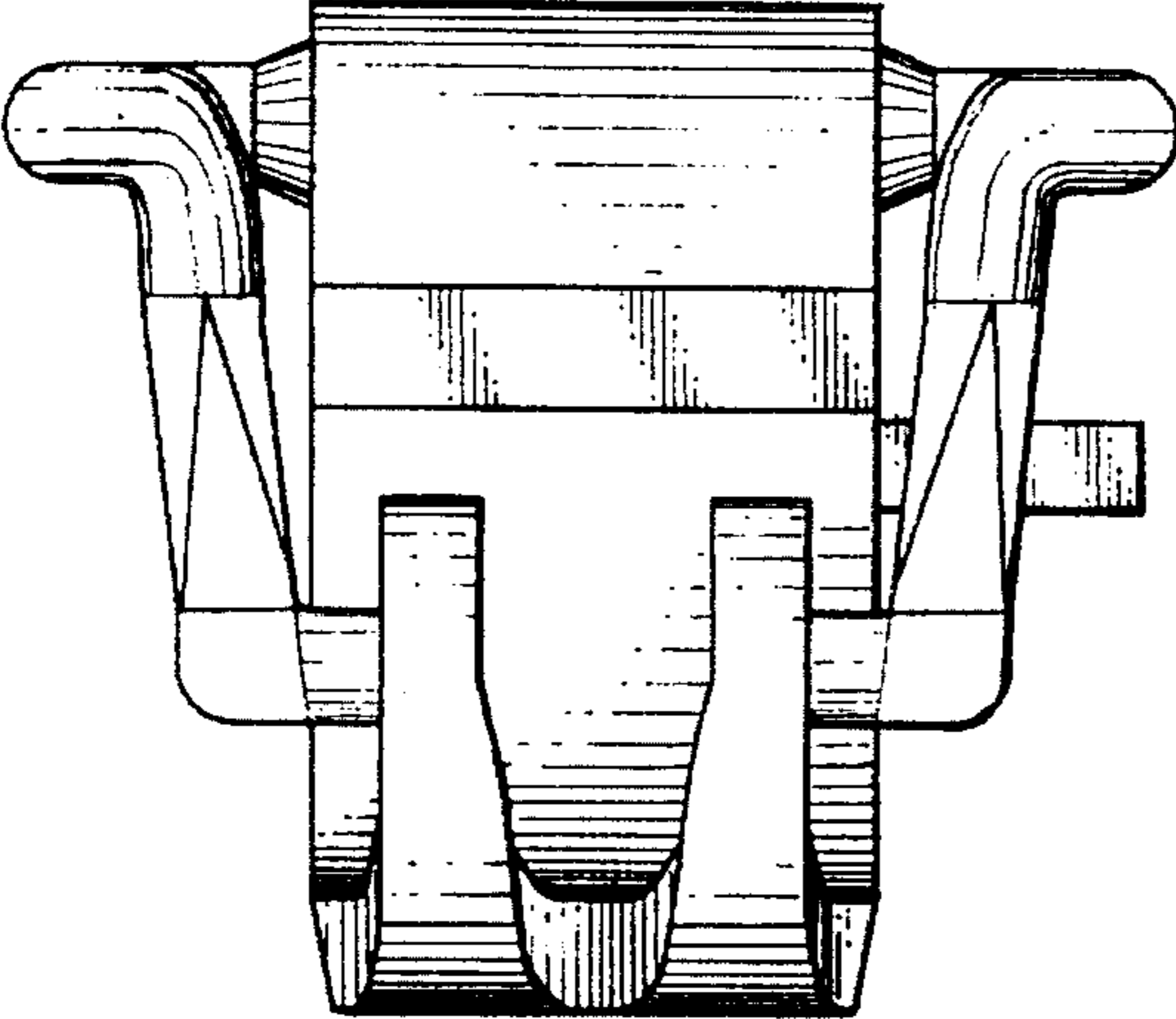


FIG. 2

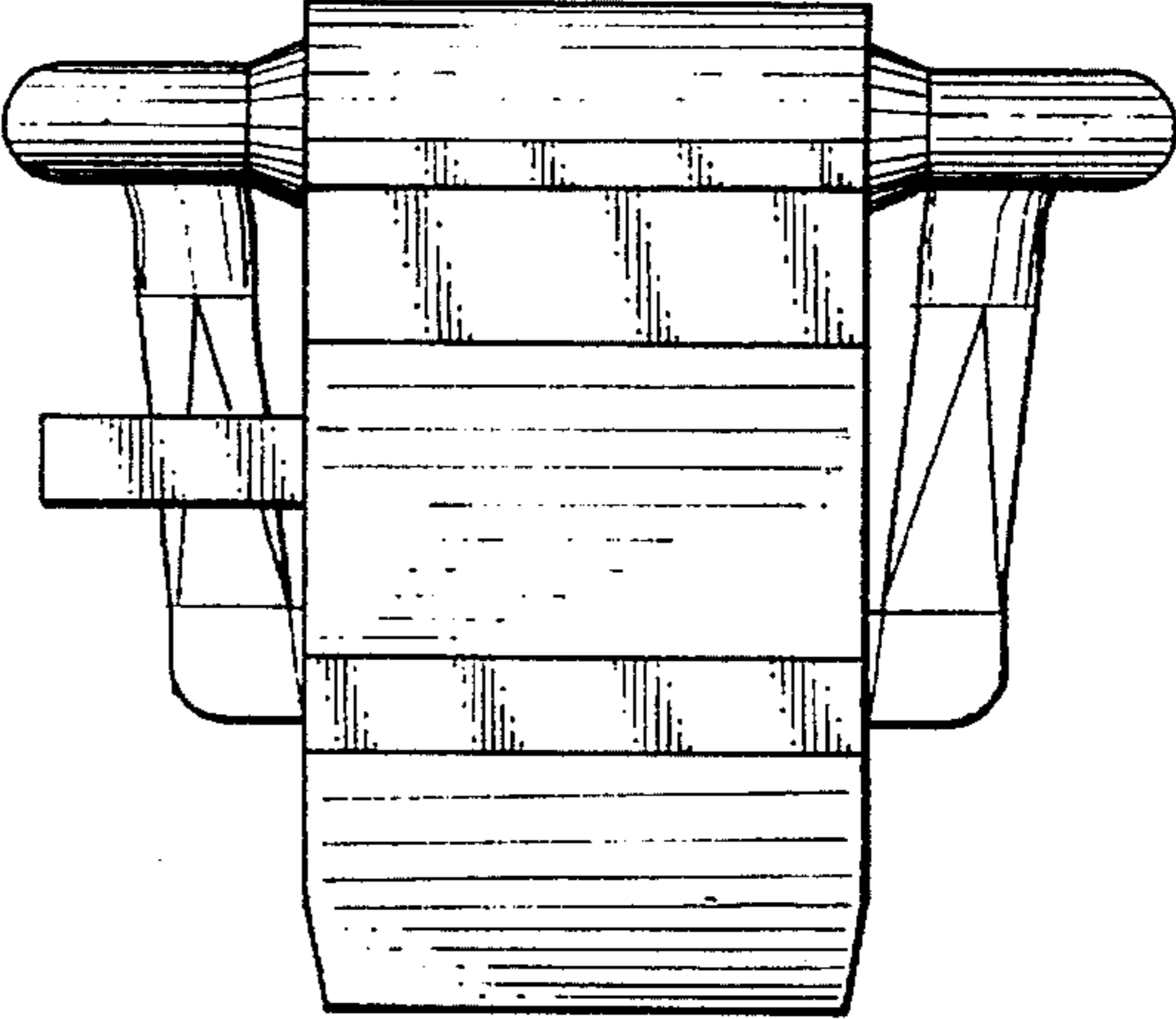


FIG. 3

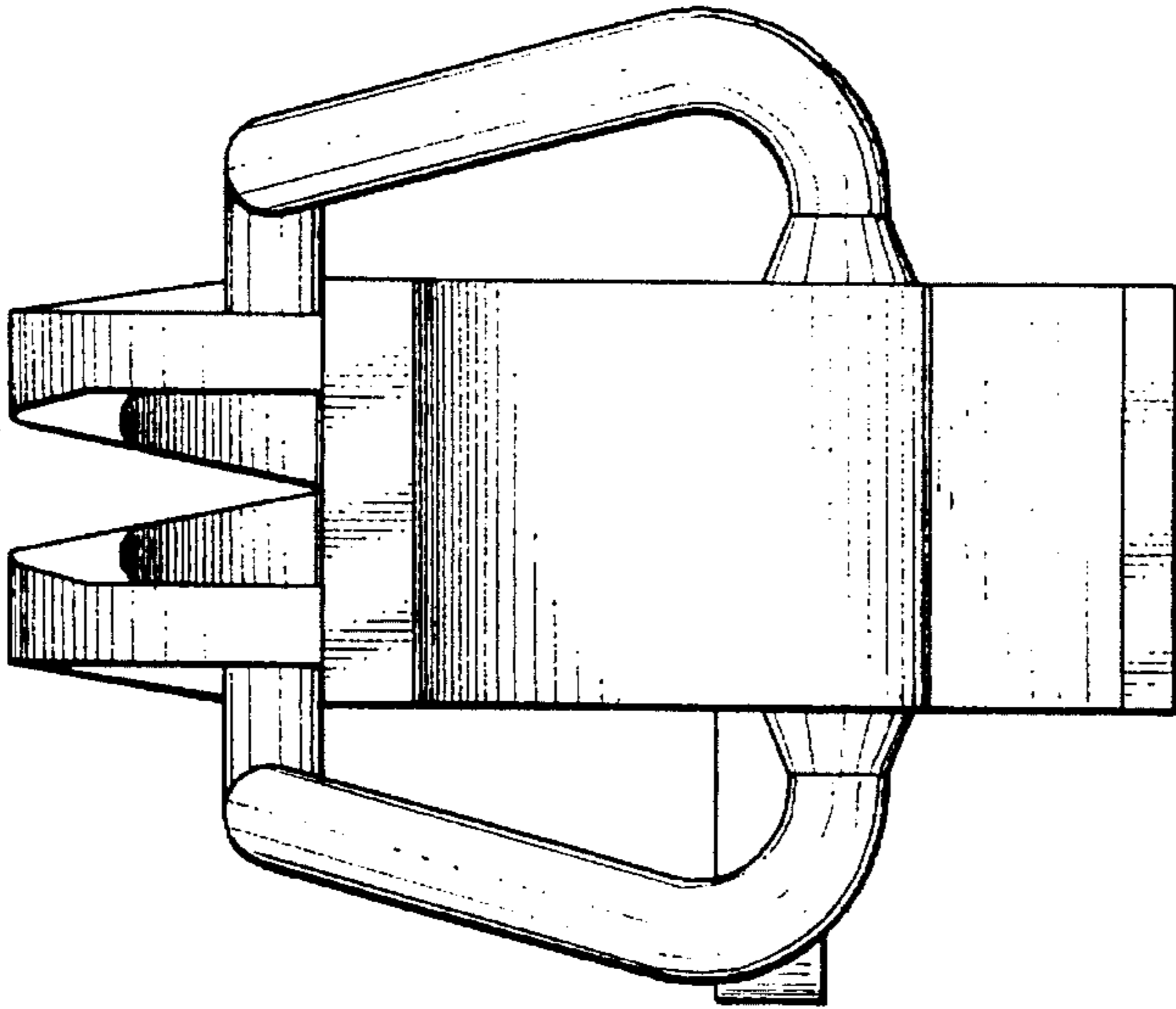


FIG. 4

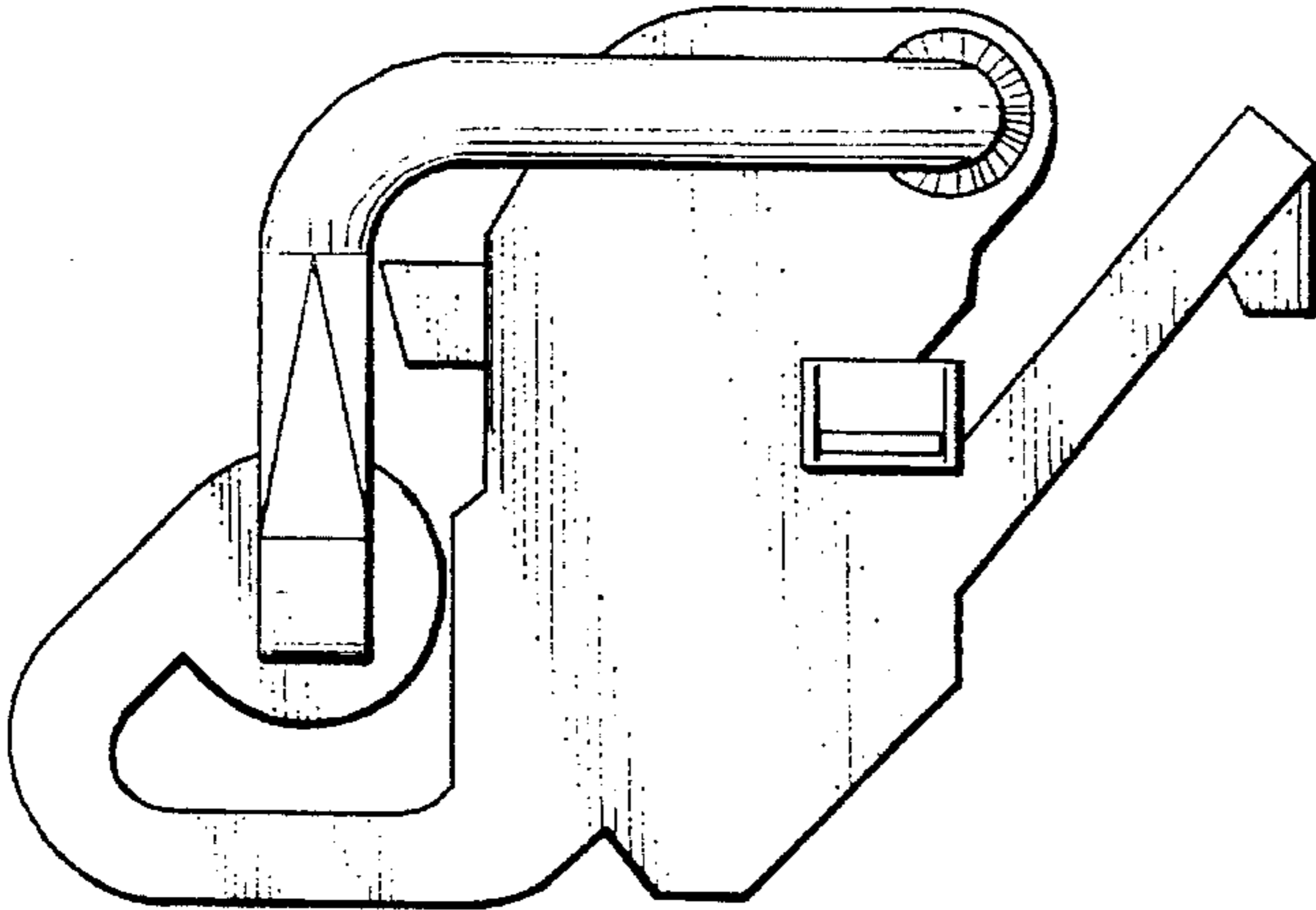


FIG. 5

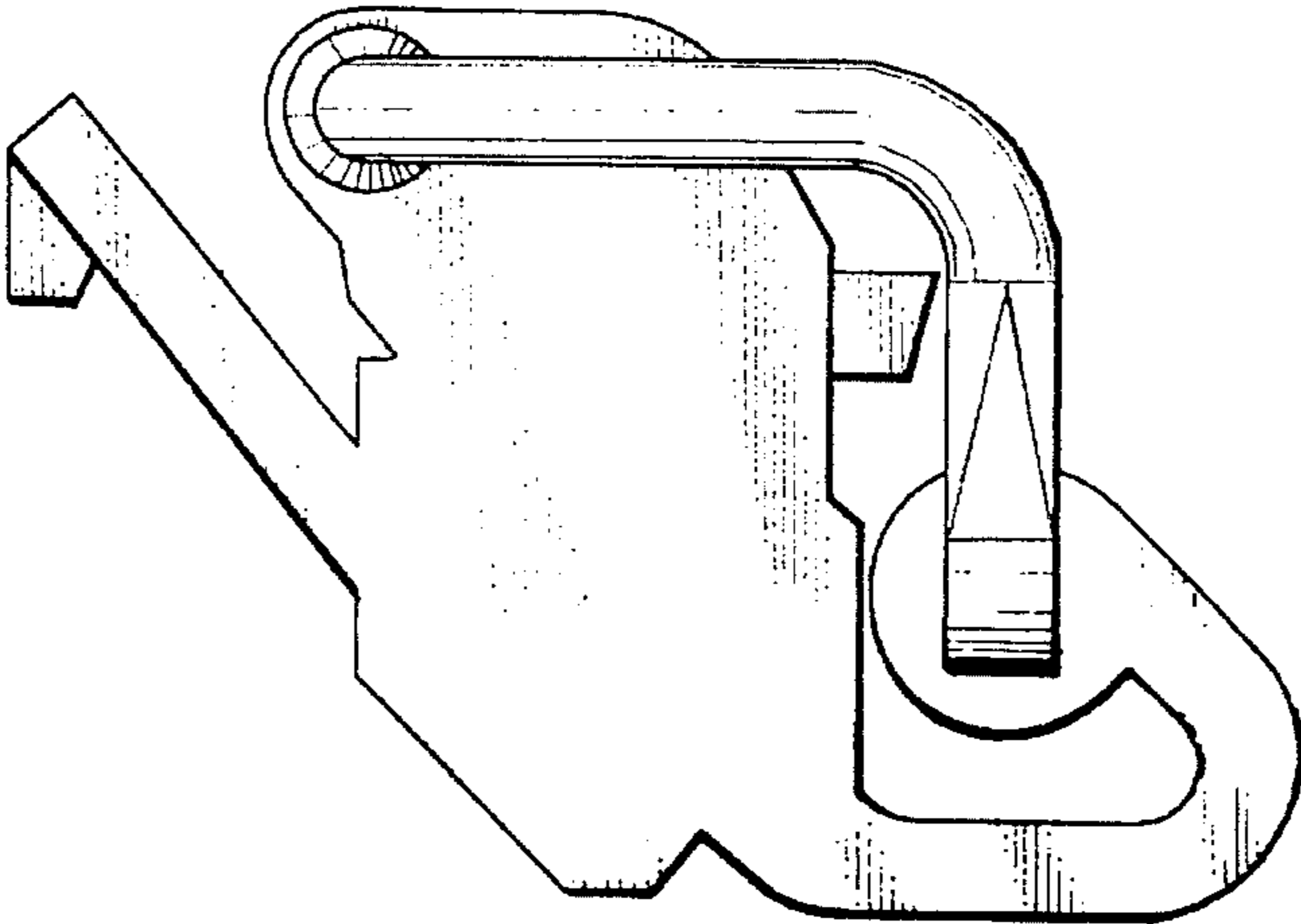


FIG. 6