



US00D370019S

United States Patent [19]

[11] Patent Number: **Des. 370,019**

Stewart

[45] Date of Patent: ****May 21, 1996**

[54] **CRADLE LOCK LATHE QUICK CHANGE TOOL**

5,112,164 5/1992 Pano 82/160 X
5,159,863 11/1992 Simpson, III 407/89 X
5,417,131 5/1995 Robertson 82/160 X

[76] Inventor: **Philip Stewart**, 2335-L 63rd Ave. E.,
Brandenton, Fla. 34203

Primary Examiner—Antoine Duval Davis
Attorney, Agent, or Firm—Franklin J. Cona

[**] Term: **14 Years**

[57] **CLAIM**

[21] Appl. No.: **36,700**

The ornamental design for a cradle lock lathe quick change tool, as shown and described.

[22] Filed: **Mar. 24, 1995**

DESCRIPTION

Related U.S. Application Data

[63] Continuation-in-part of Ser. No. 14,990, Nov. 8, 1993,
abandoned.

[52] **U.S. Cl.** **D15/140**

[58] **Field of Search** D15/138, 139,
D15/140; D8/71; 82/1.11, 160, 901; 407/11,
42, 89, 103, 104, 110-117

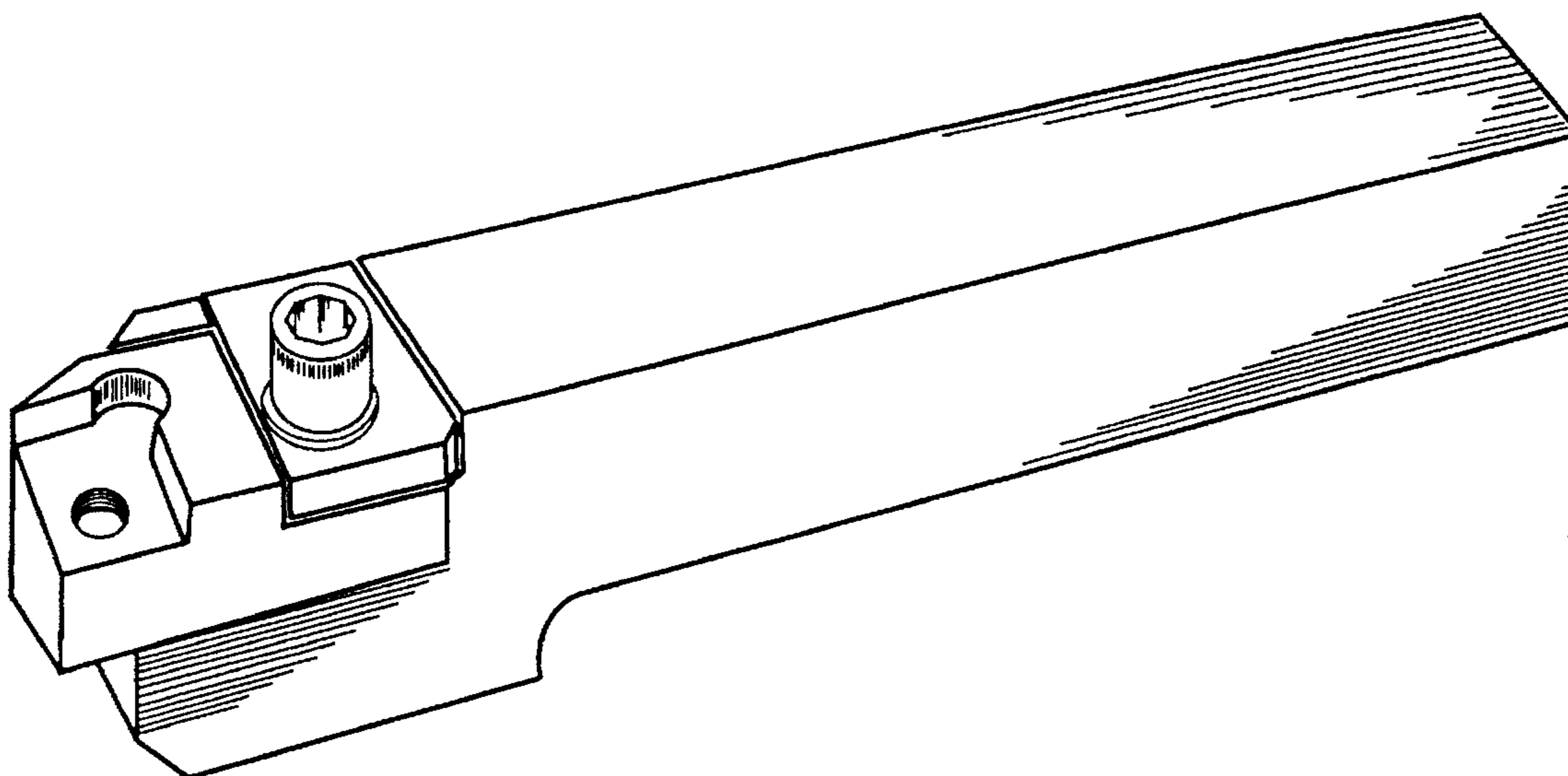
FIG. 1 is a perspective view of the design;
FIG. 2 is a top plan view of the design as shown in FIG. 1;
FIG. 3 is a bottom plan view of the design as shown in FIG. 1;
FIG. 4 is a front elevational view of the design as shown in FIG. 1;
FIG. 5 is a left side elevational view of the design as shown in FIG. 1;
FIG. 6 is a rear elevational view of the design as shown in FIG. 1;
FIG. 7 is a right side elevational view of the design as shown in FIG. 1; and,
FIG. 8 is an exploded perspective view of the design.

[56] **References Cited**

U.S. PATENT DOCUMENTS

D. 270,059 8/1983 Wilkins D15/139
D. 311,194 10/1990 Mihic D15/140
D. 311,747 10/1990 Mihic D15/140
2,485,052 10/1949 Keebler 407/89 X

1 Claim, 3 Drawing Sheets



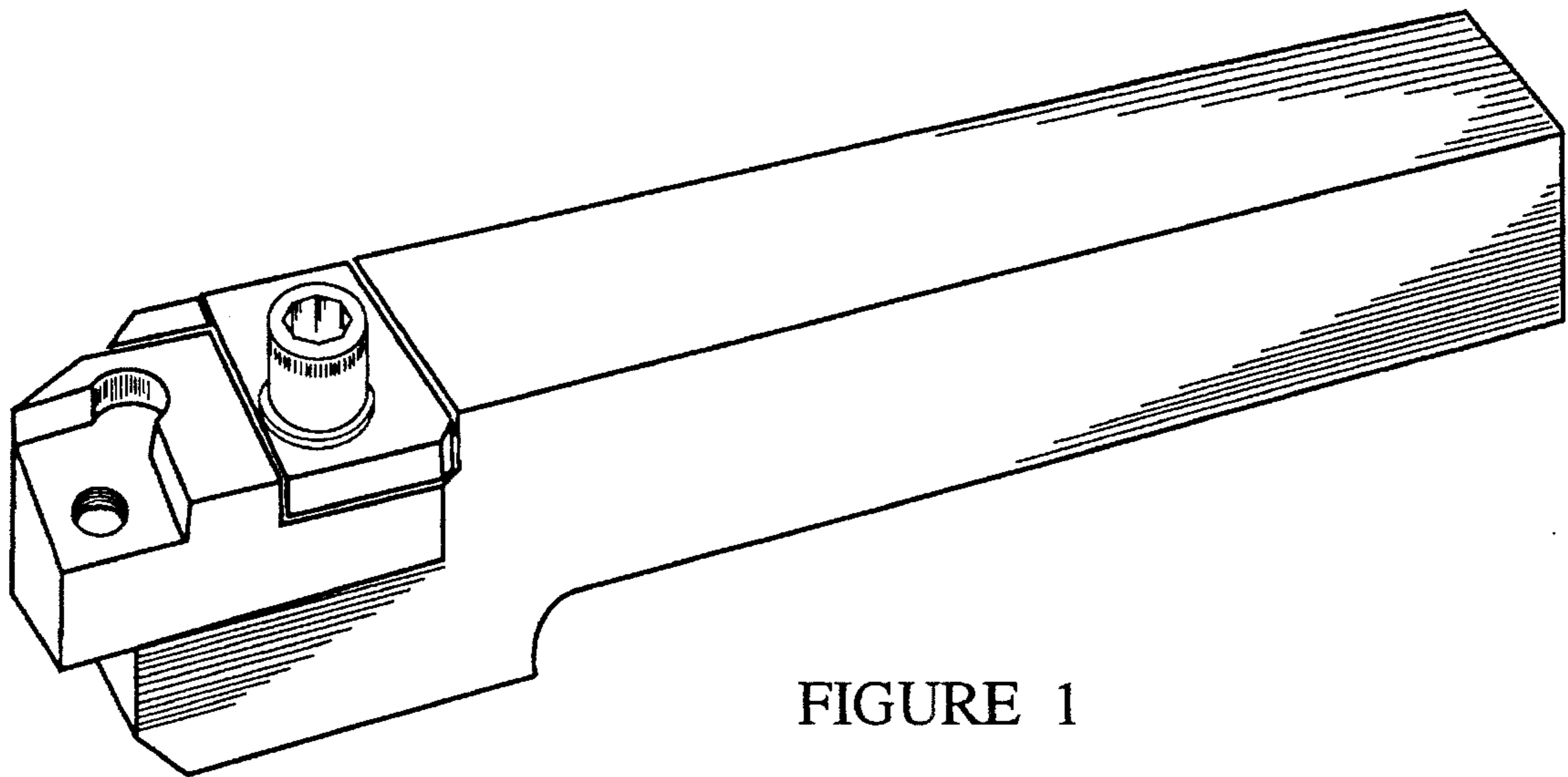


FIGURE 1

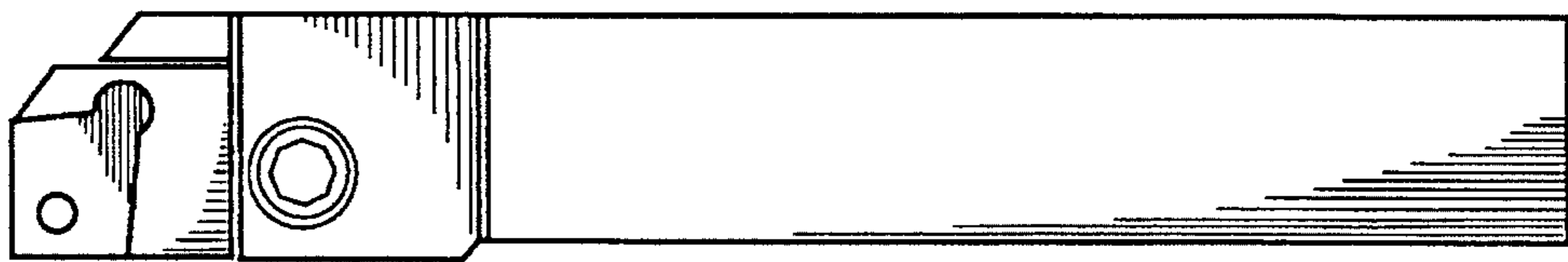


FIGURE 2

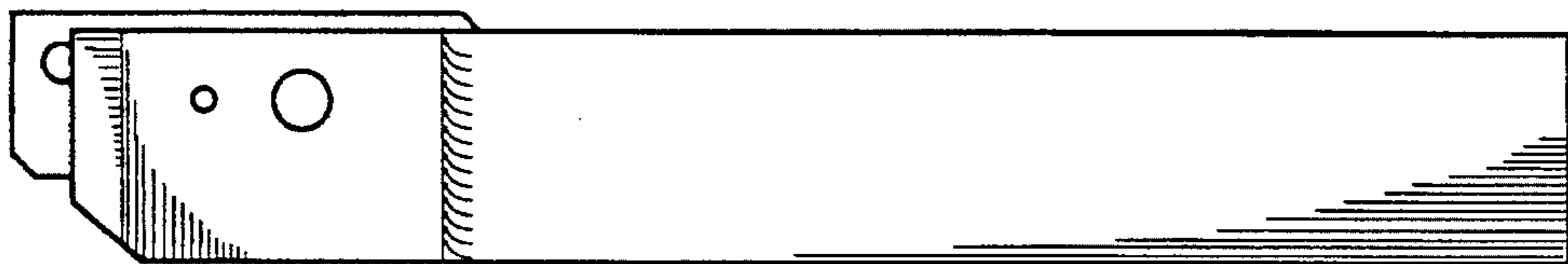


FIGURE 3

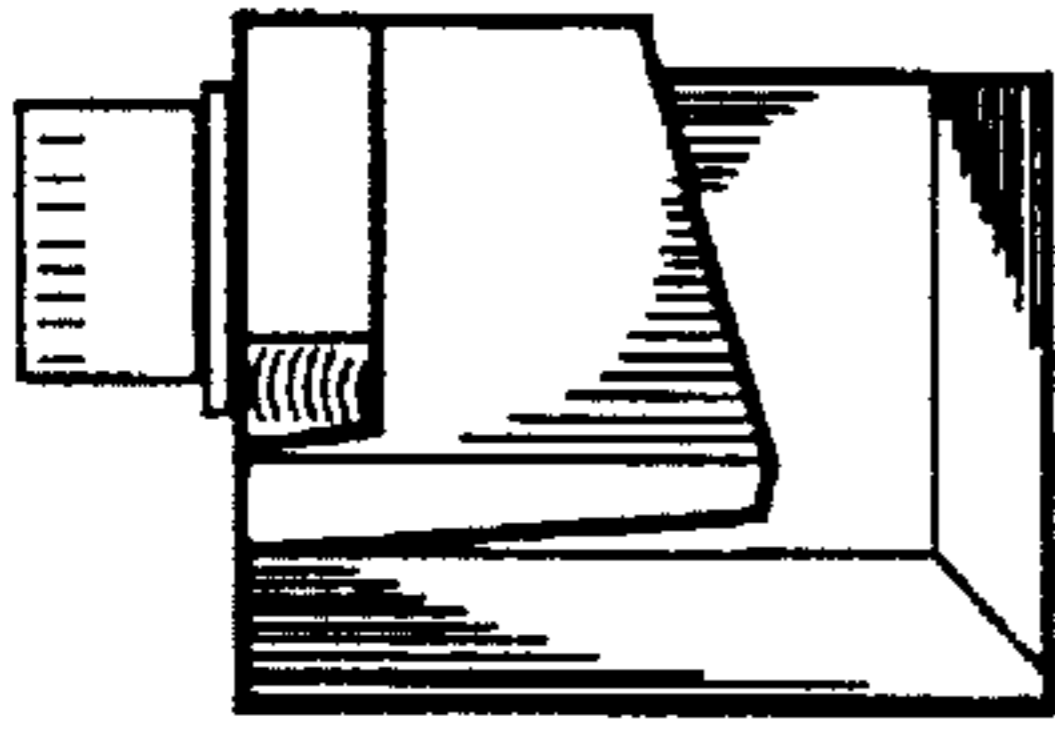


FIGURE 5

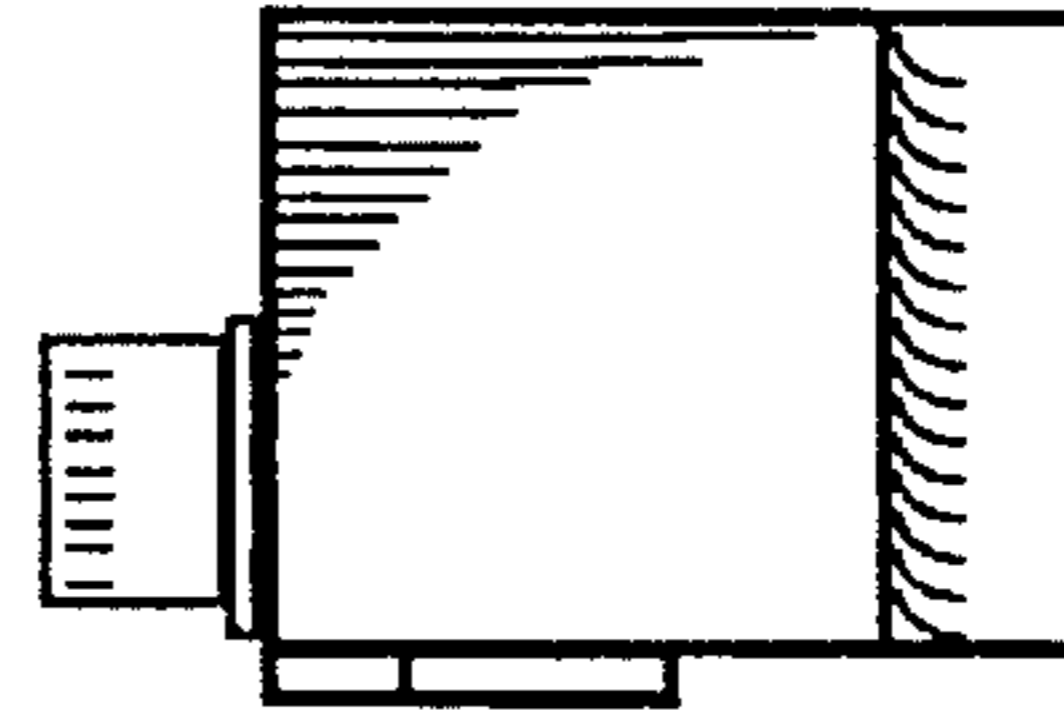


FIGURE 7

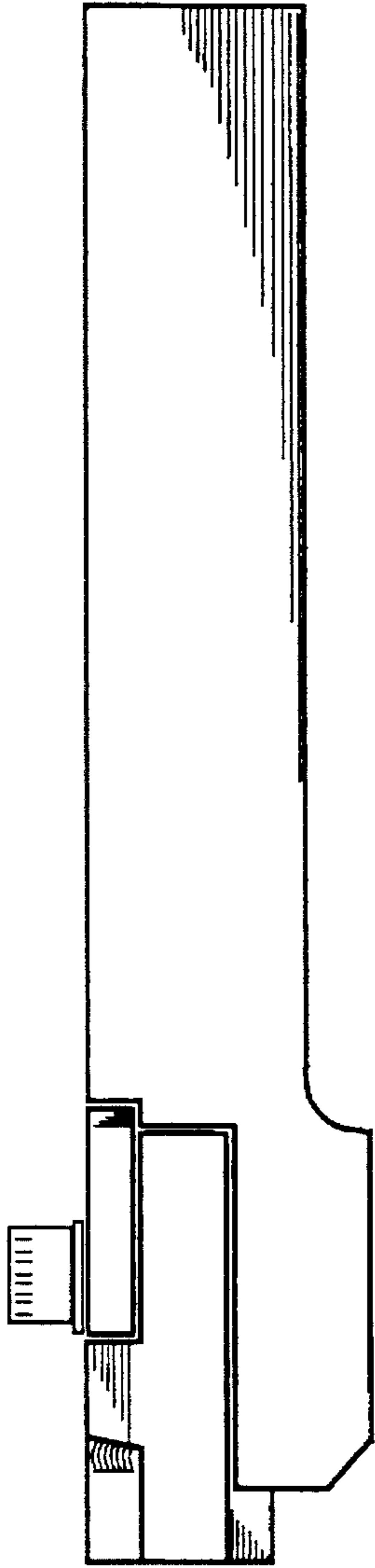


FIGURE 4

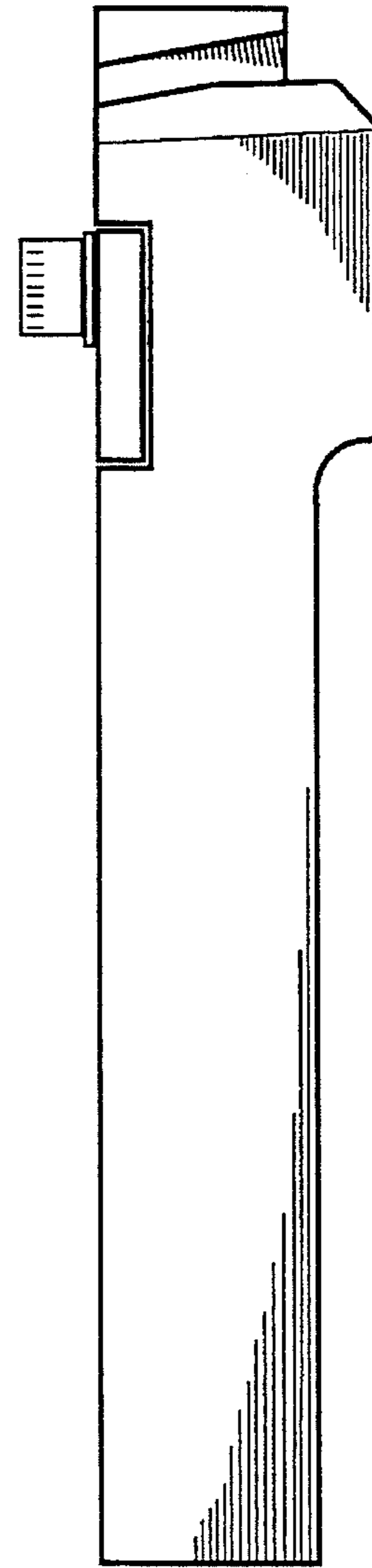


FIGURE 6

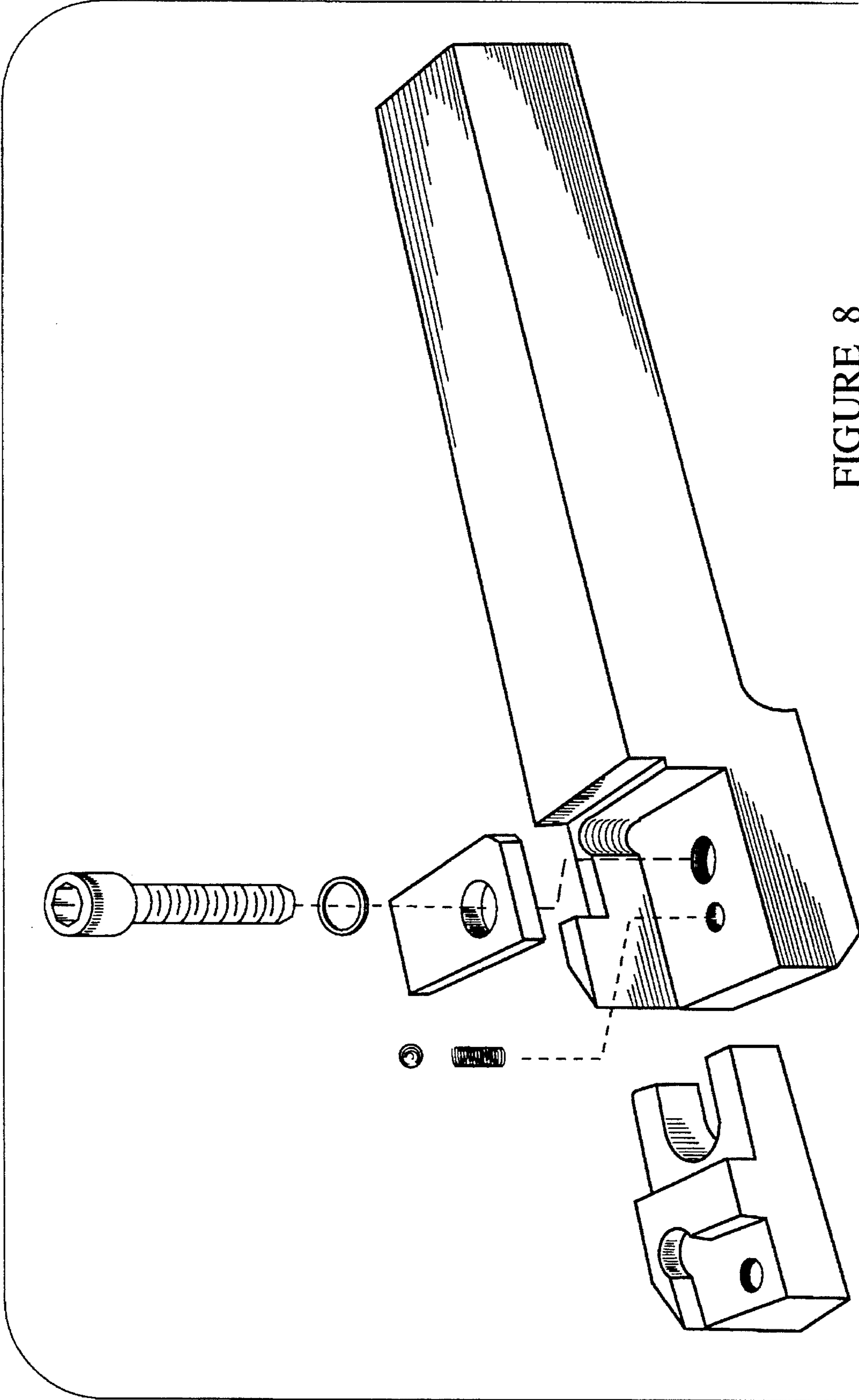


FIGURE 8