



US00D370018S

# United States Patent [19]

[11] Patent Number: **Des. 370,018**

Jedlicka et al.

[45] Date of Patent: **\*\*May 21, 1996**

## [54] JOINTER/PLANER MACHINE

[75] Inventors: **Frederick B. Jedlicka**, Jerseyville, Ill.;  
**Frank J. Tomiser, Jr.**, St. Louis, Mo.

[73] Assignee: **Emerson Electric Co.**, St. Louis, Mo.

[\*\*] Term: **14 Years**

[21] Appl. No.: **33,311**

[22] Filed: **Jan. 10, 1995**

[52] U.S. Cl. .... **D15/127**

[58] Field of Search ..... **D15/127; 144/36-39,**  
**144/108, 134 R, 251 R, 253 R**

## [56] References Cited

### U.S. PATENT DOCUMENTS

D. 284,286	6/1986	Pioch et al. ....	D15/127
2,764,190	9/1956	Howard .....	144/253 R X
3,894,340	7/1975	Ellis, Jr. ....	33/185
4,356,851	11/1982	Glore .....	144/253
4,372,358	2/1983	Glore .....	144/117
4,427,042	1/1984	Mitchell et al. ....	144/1 R
4,694,582	9/1987	Walston, Jr. ....	33/635
4,830,076	5/1989	Feyer .....	144/287
4,915,148	4/1990	Fox .....	144/1
4,961,287	10/1990	Compton .....	51/74
4,987,704	1/1991	Johnson et al. ....	51/246
4,989,653	2/1991	Angus .....	144/253 R X
5,396,937	3/1995	Clausen .....	144/253 R X

## OTHER PUBLICATIONS

Wood Magazine, Jointers, Oct. 1990, pp. 66-69.  
Craftsman® Jointer-Planers 1994 Catalogue sheet, p. 144.

*Primary Examiner*—Antoine Duval Davis  
*Attorney, Agent, or Firm*—Polster, Lieder, Woodruff & Lucchesi

## [57] CLAIM

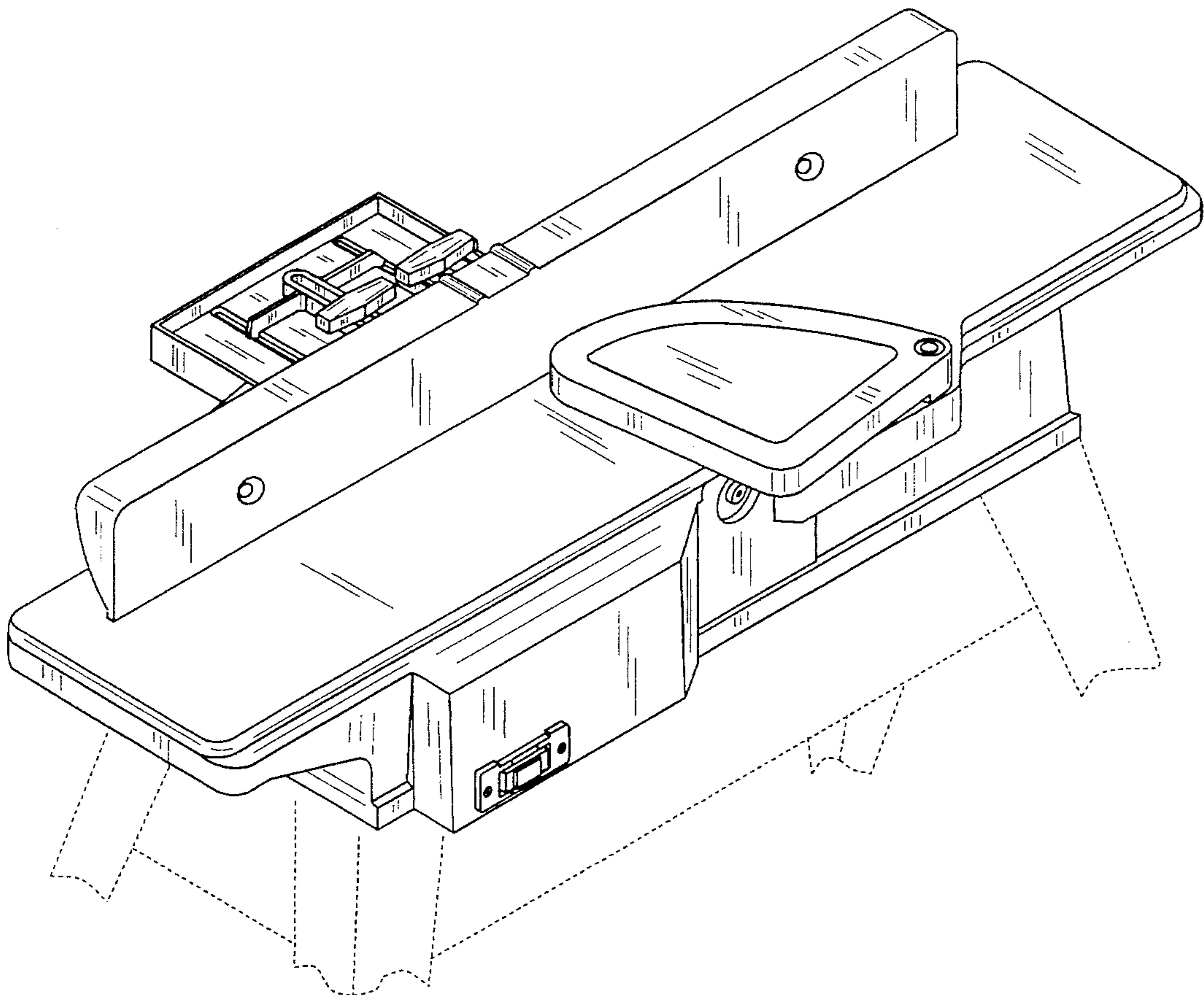
The ornamental design for a jointer/planer machine, as shown and described.

## DESCRIPTION

FIG. 1 is a top perspective view of our improved jointer/planer machine;  
FIG. 2 is a top plan view thereof;  
FIG. 3 is a bottom plan view thereof;  
FIG. 4 is a front elevational view thereof;  
FIG. 5 is a rear elevational view thereof;  
FIG. 6 is a left side view thereof;  
FIG. 7 is a right side view thereof; and,  
FIG. 8 is a perspective view taken from the right side and slightly from below.

The broken lines shown of a fragmentary view of a base is for illustrative purposes and forms no part of the claimed design.

**1 Claim, 7 Drawing Sheets**



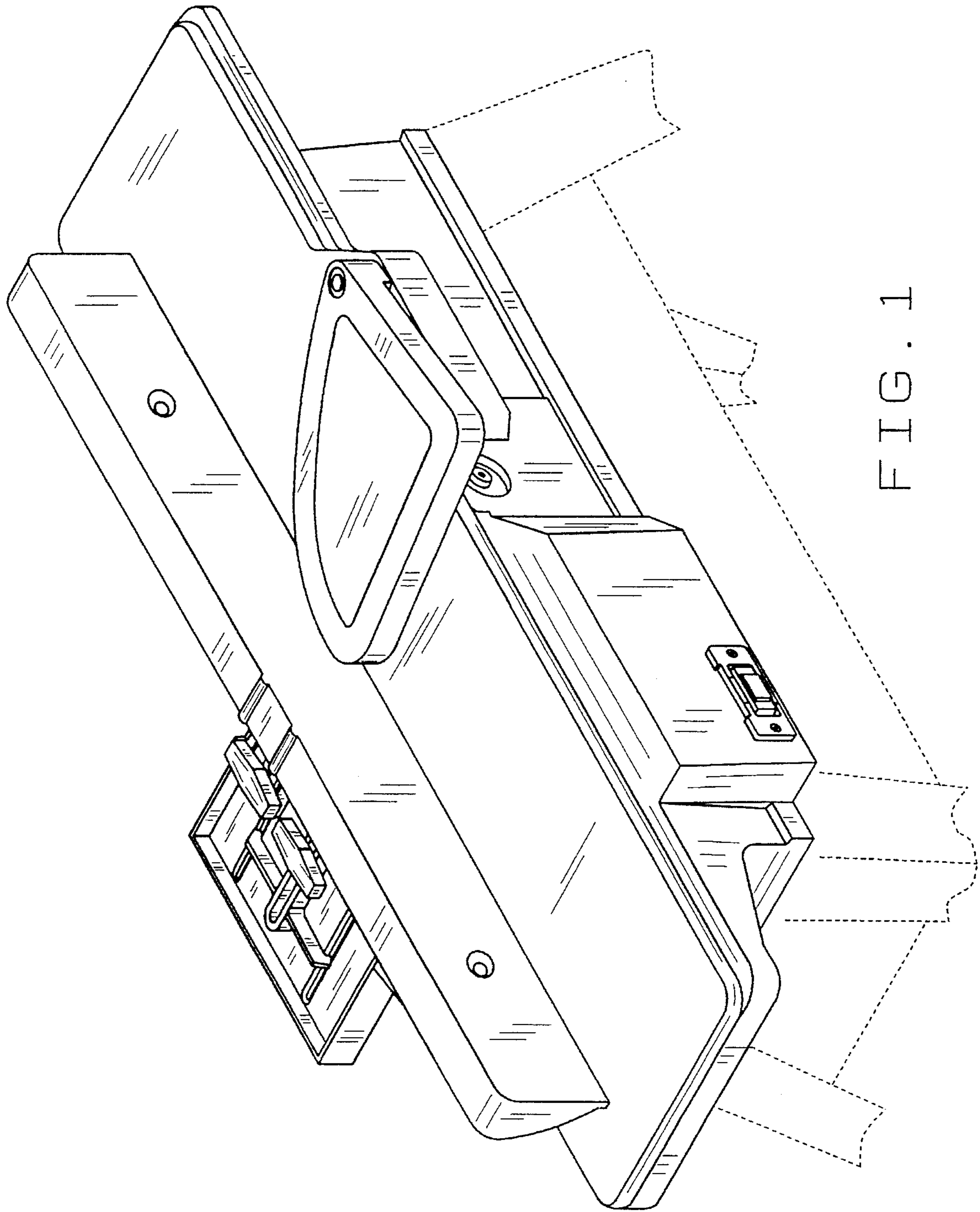


FIG. 1

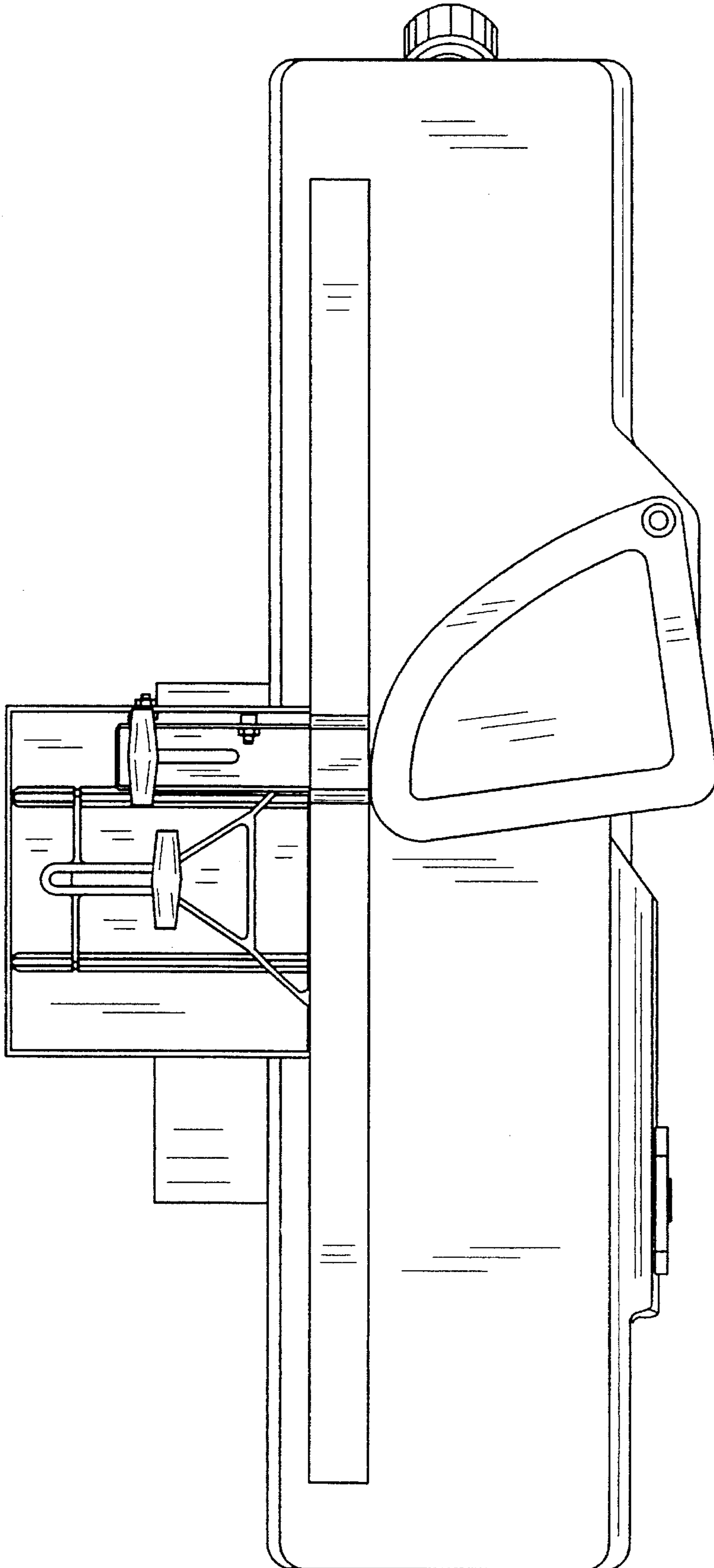


FIG. 2

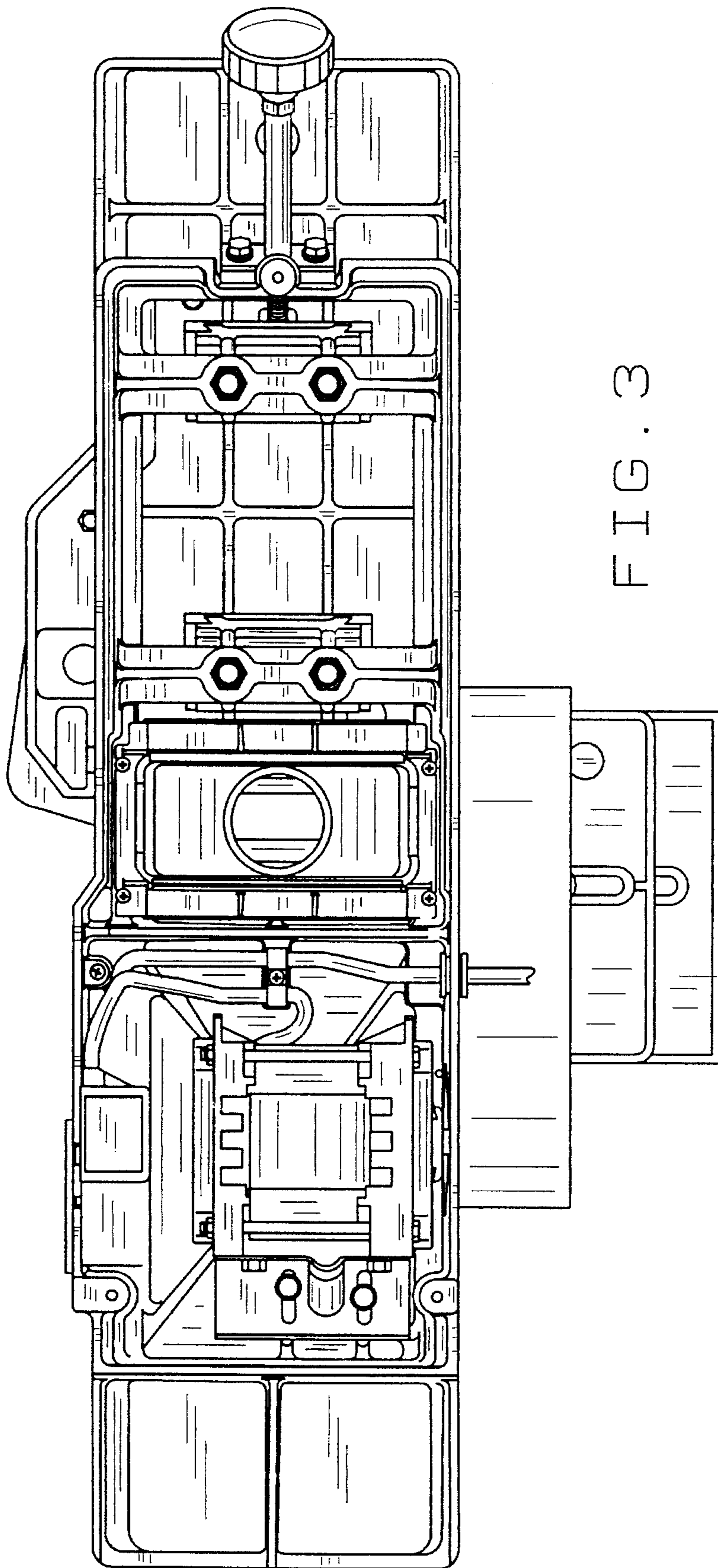


FIG. 3

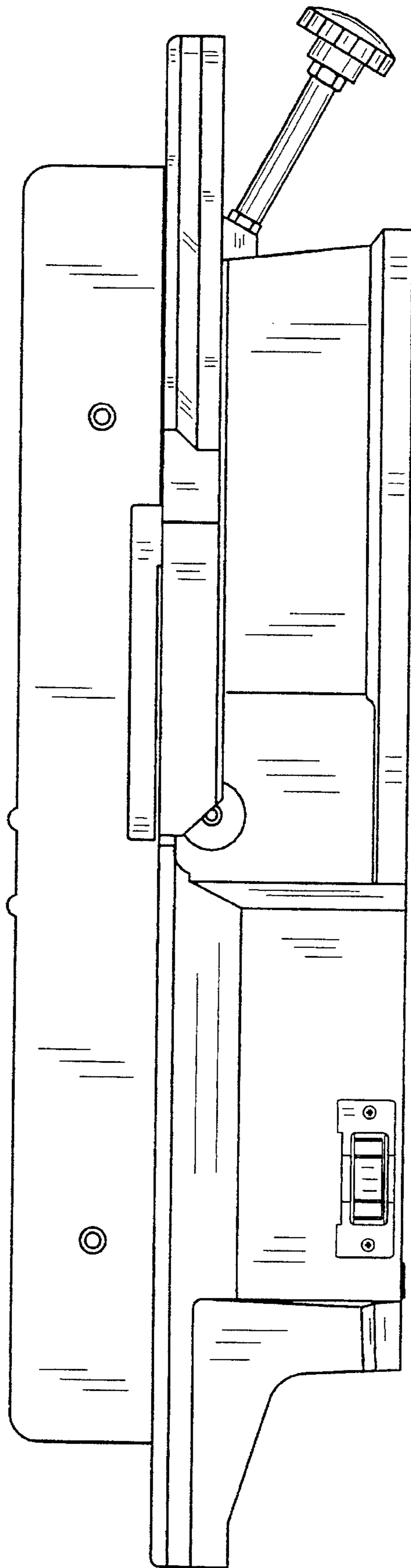


FIG. 4

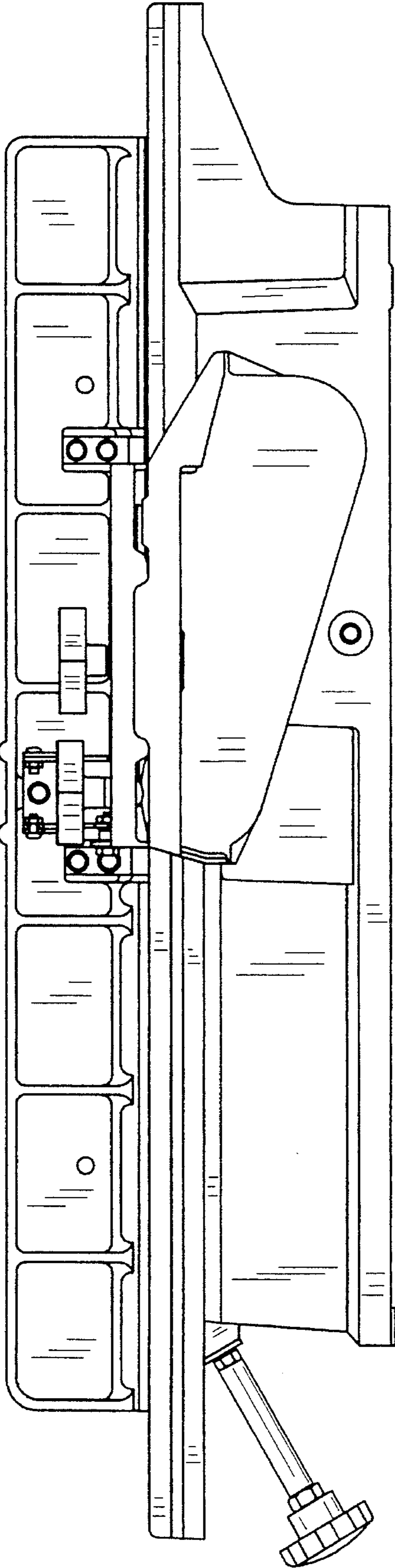


FIG. 5

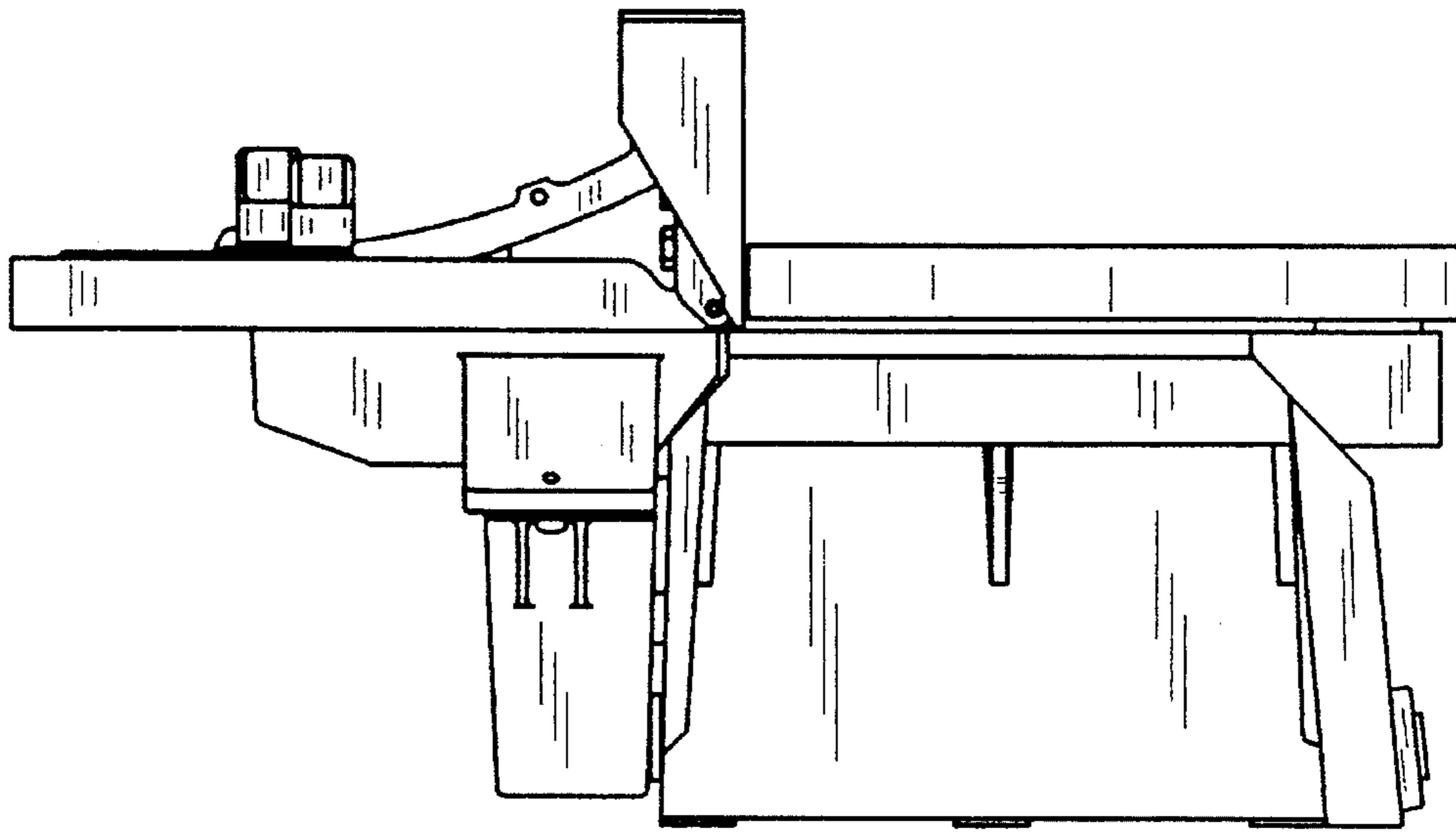


FIG. 6

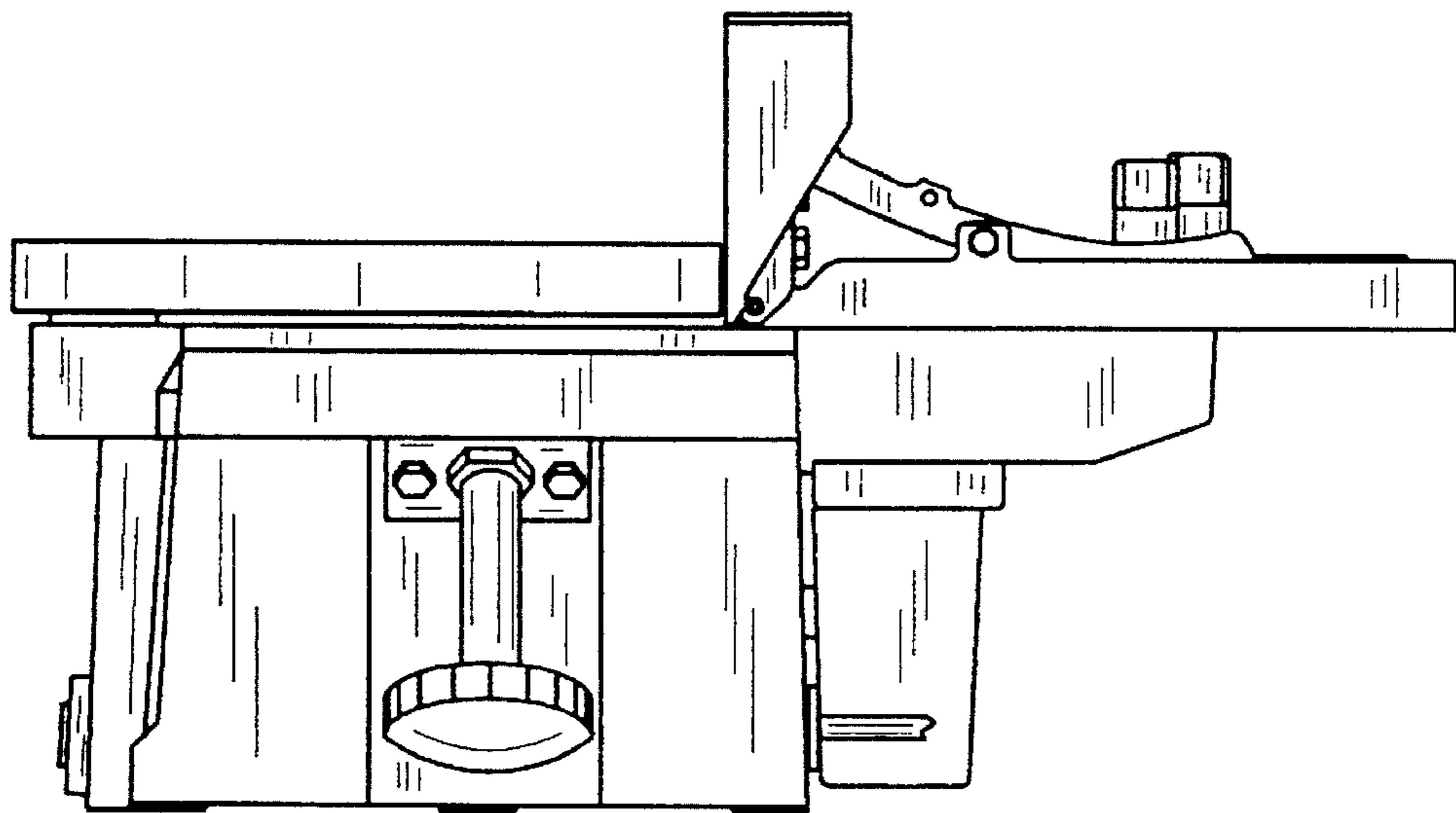


FIG. 7

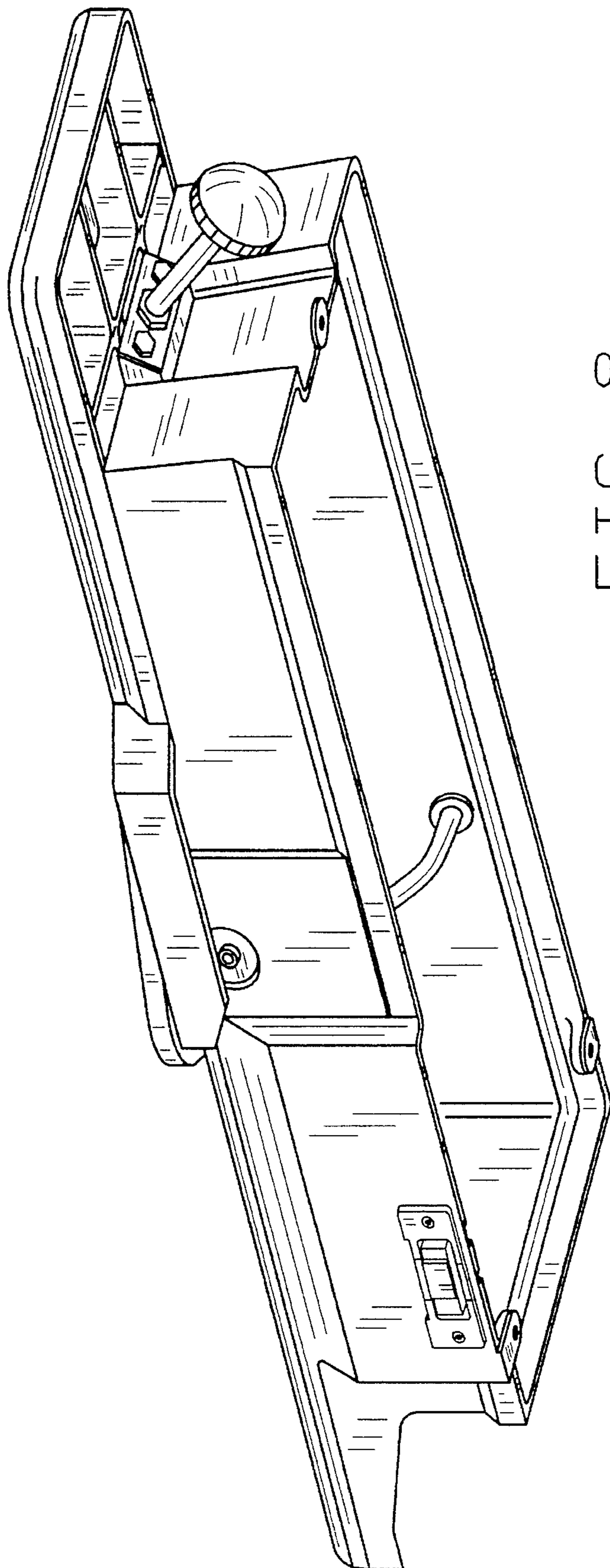


FIG. 8