



US00D370013S

United States Patent [19]

Herbst, Jr.

[11] Patent Number: **Des. 370,013**

[45] Date of Patent: ****May 21, 1996**

[54] **COMBINED MESSAGE RECORDER,
PLAYER AND CLOCK**

[76] Inventor: **Arthur G. Herbst, Jr.**, 50 Lahi St.,
Hilo, Hi. 96720

[**] Term: **14 Years**

[21] Appl. No.: **34,424**

[22] Filed: **Feb. 3, 1995**

[52] U.S. Cl. **D14/160; D14/171; D14/299**

[58] **Field of Search** D10/1, 2, 15; D14/124,
D14/141, 154, 160-168, 170-171, 188-189,
192-198, 299; 455/344, 350-351

[56] **References Cited**

U.S. PATENT DOCUMENTS

D. 217,677	5/1970	Larson	D14/164
D. 277,576	2/1985	Mishiro et al.	D10/2 X
D. 313,021	12/1990	Ehrmann	D14/196
D. 339,346	9/1993	Pepall	D14/171 X
D. 346,602	5/1994	Robertson	D14/299 X

D. 361,766 8/1995 Mackay D14/160 X

Primary Examiner—Ted Shooman
Assistant Examiner—Nanda Bondade
Attorney, Agent, or Firm—Brown, Martin, Haller &
McClain

[57] **CLAIM**

The ornamental design for combined message recorder,
player and clock, as shown and described.

DESCRIPTION

FIG. 1 is a front, top and right side perspective view of a
combined message recorder, player and clock, showing my
new design;

FIG. 2 is a rear perspective view thereof;

FIG. 3 is left side elevational view thereof;

FIG. 4 is a bottom plan view thereof; and,

FIG. 5 is a rear perspective view thereof, with the mounting
bracket detached for clarity of illustration.

1 Claim, 2 Drawing Sheets

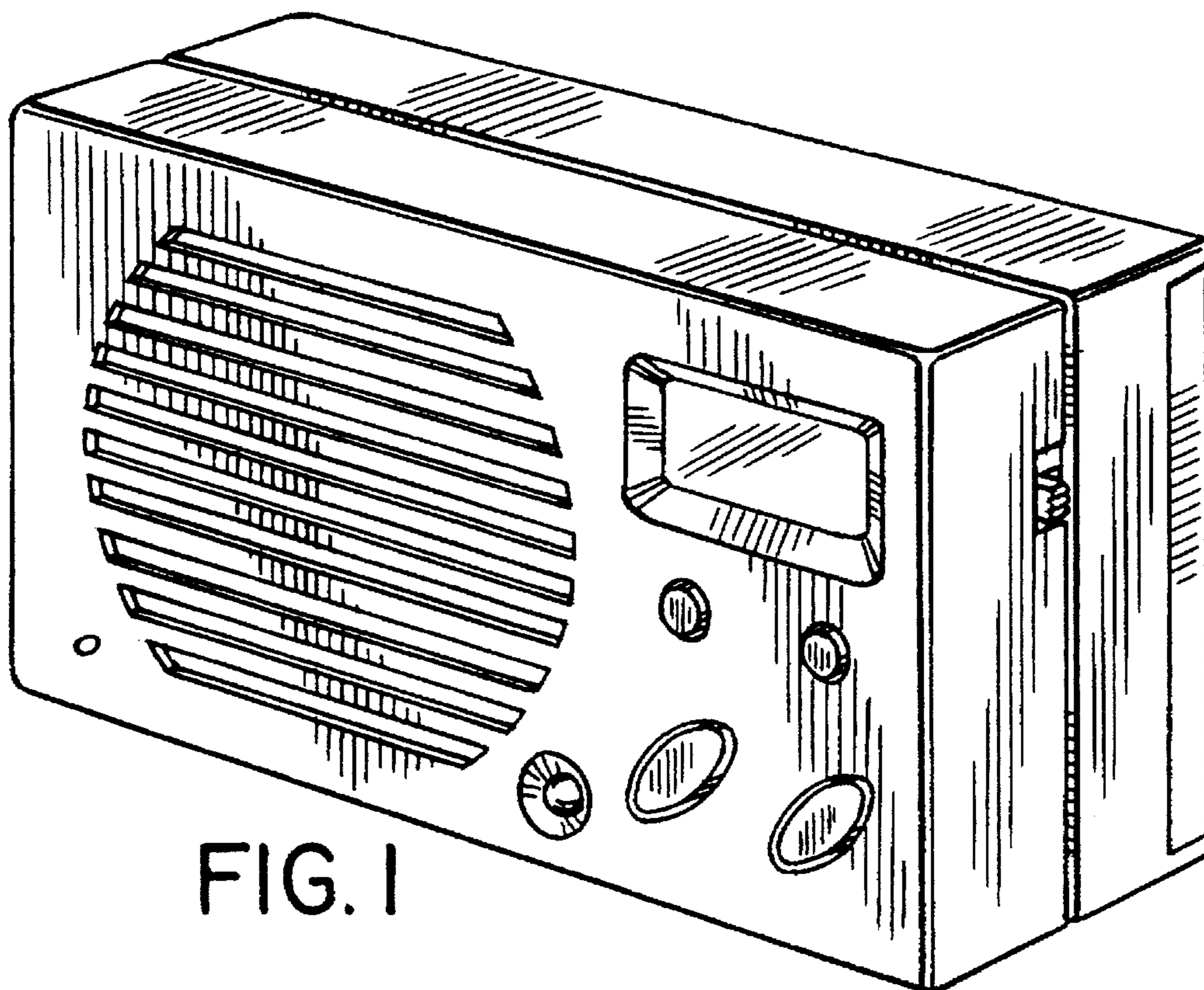


FIG. 1

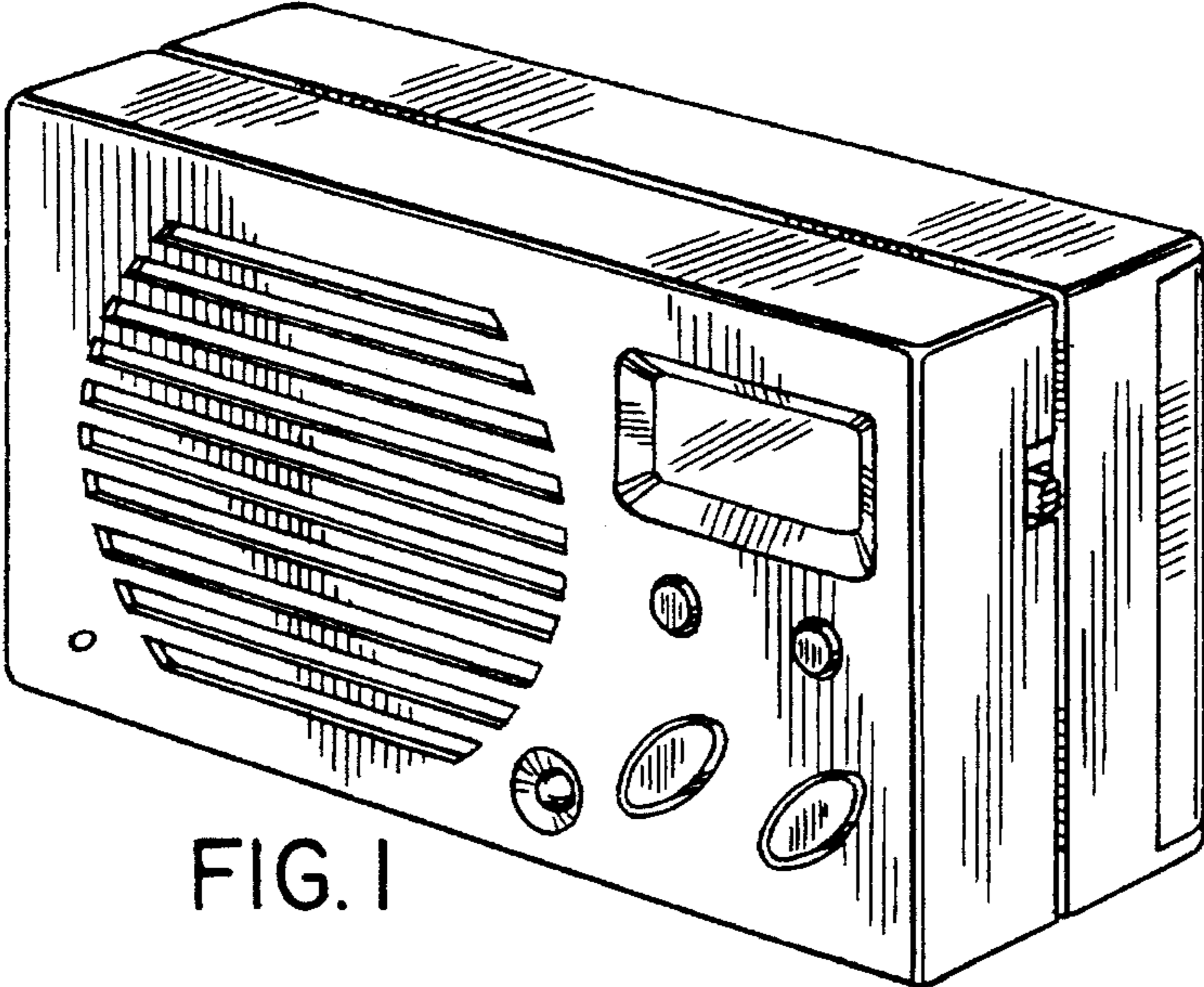


FIG. 1

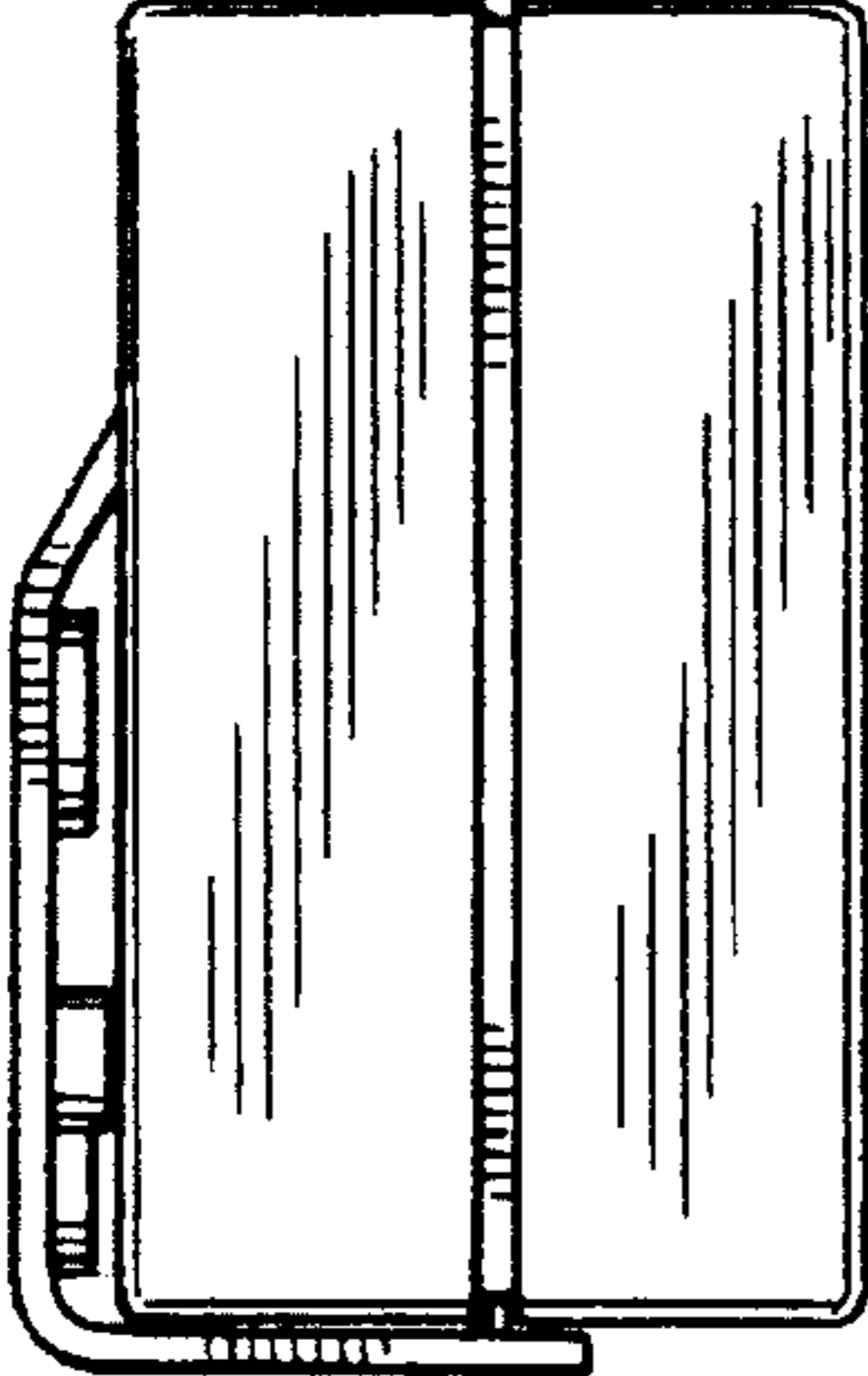


FIG. 3

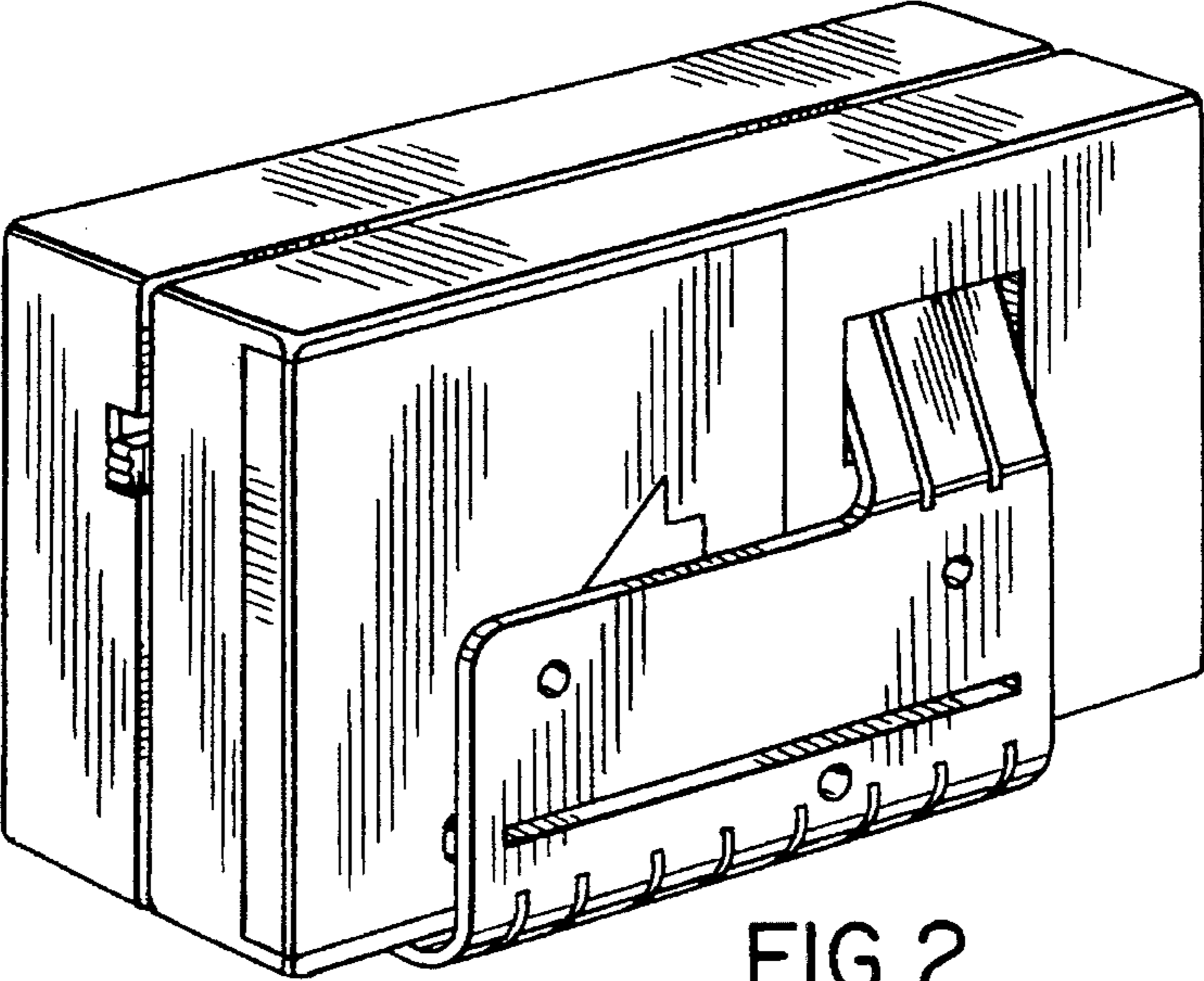


FIG. 2

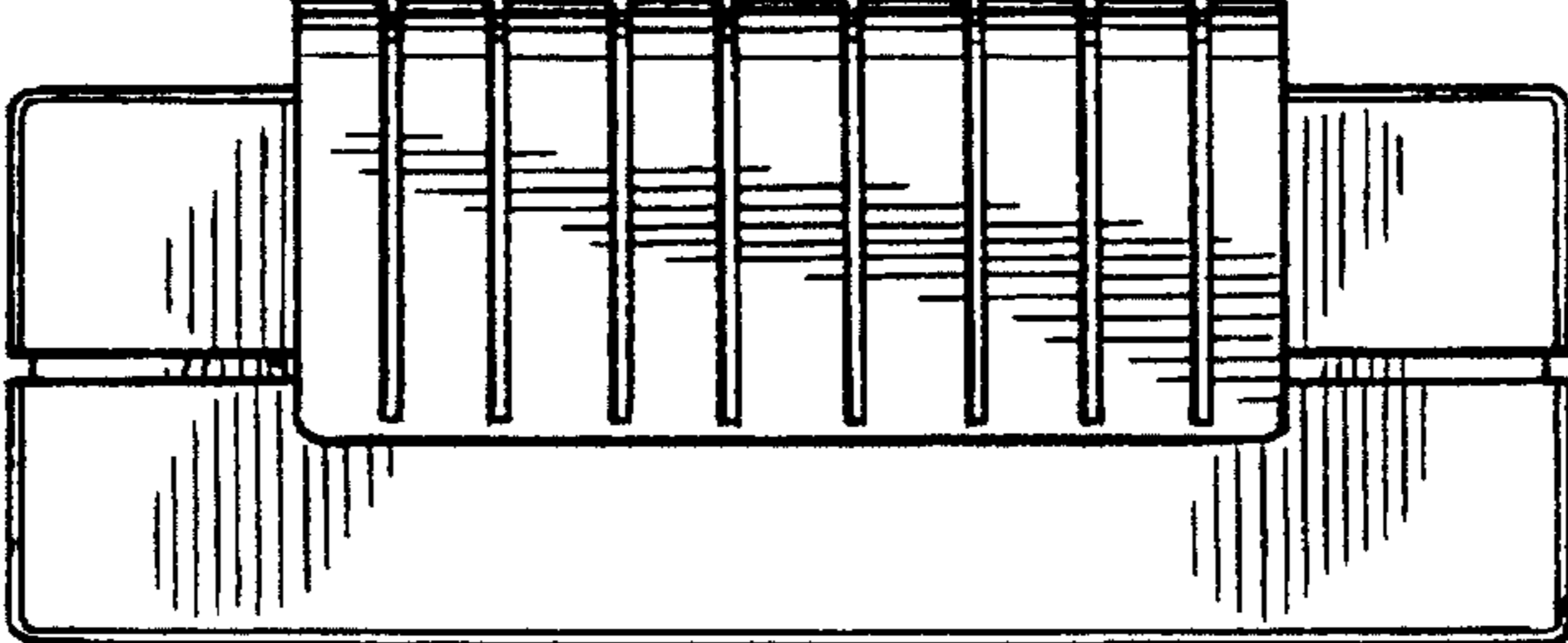


FIG. 4

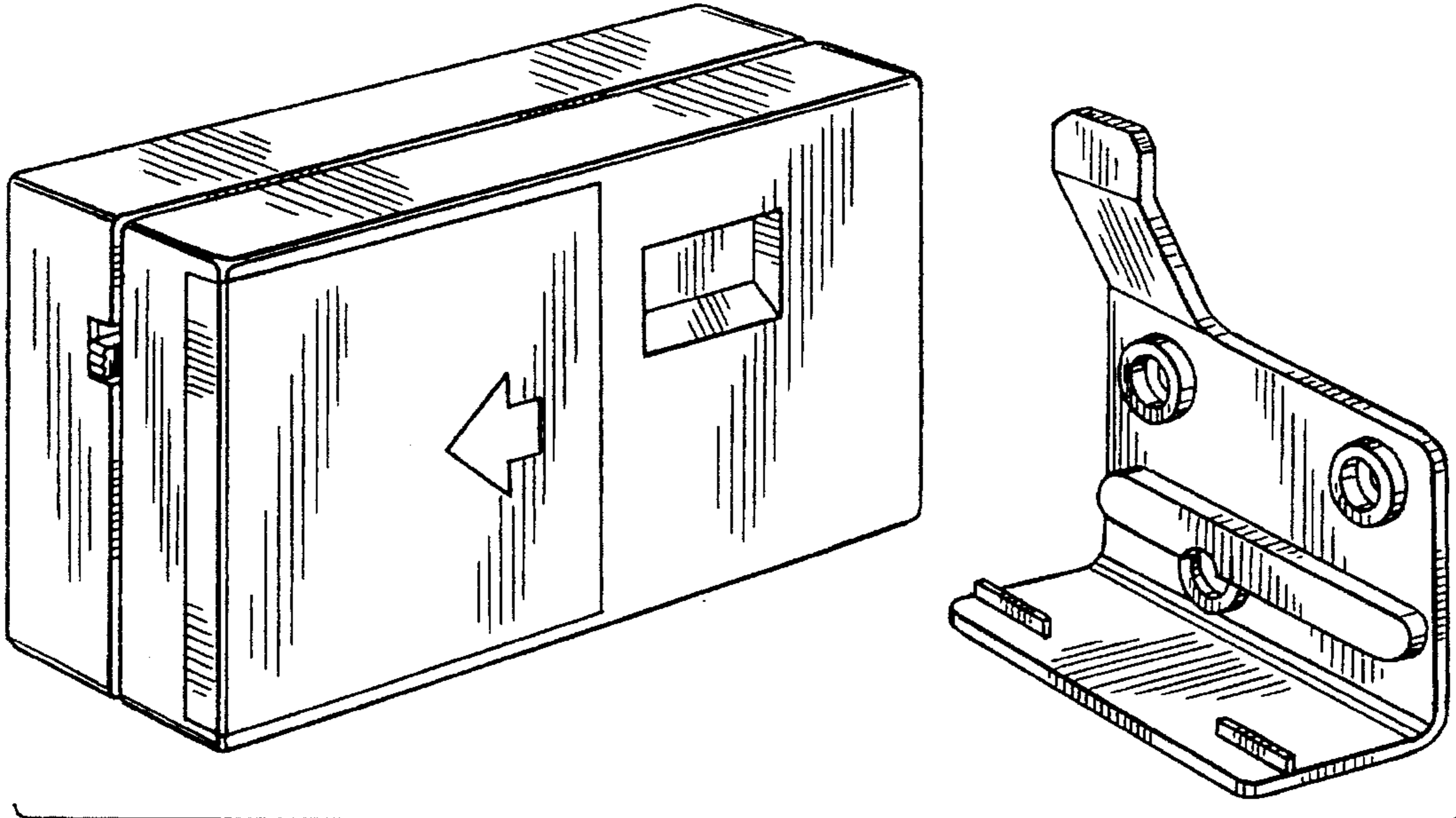


FIG. 5