



US00D370010S

United States Patent [19]

[11] Patent Number: **Des. 370,010**

Clapp et al.

[45] Date of Patent: ****May 21, 1996**

[54] **PERIPHERAL VIDEO CONFERENCING UNIT**

[75] Inventors: **Doug Clapp**, Edina; **James W. Luther**, Minneapolis, both of Minn.

[73] Assignee: **RSI Systems, Inc.**, Edina, Minn.

[**] Term: **14 Years**

[21] Appl. No.: **30,052**

[22] Filed: **Oct. 21, 1994**

[52] U.S. Cl. **D14/130; D14/107**

[58] Field of Search D14/107, 114, D14/240, 101, 130, 140, 155, 159, 241, 204, 172; 348/14, 15-20; 379/53, 96; 395/200; H04N 5/225, 7/14

5,038,224 8/1991 Martulli et al. .
 5,117,372 5/1992 Petty .
 5,142,361 8/1992 Tayama et al. .
 5,202,961 4/1993 Mills et al. .
 5,226,117 7/1993 Miklos .
 5,230,063 7/1993 Hoeber et al. .
 5,257,306 10/1993 Watanabe .
 5,280,275 1/1994 Kaplan .
 5,280,540 1/1994 Addeo et al. .
 5,287,448 2/1994 Nicol et al. .
 5,309,509 5/1994 Cocklin et al. .
 5,315,633 5/1994 Champa .
 5,317,405 5/1994 Kuriki et al. .
 5,318,257 6/1994 Tani 348/14 X
 5,436,654 7/1995 Boyd et al. 348/14

Primary Examiner—Jeffrey Asch
 Attorney, Agent, or Firm—Merchant, Gould, Smith, Edell, Welter & Schmidt

[56] References Cited

U.S. PATENT DOCUMENTS

D. 279,471 7/1985 Nakashima D14/159
 D. 293,319 12/1987 Matsuda et al. D14/241
 D. 335,416 2/1995 McCay et al. D14/159 X
 D. 340,056 10/1993 Caron et al. D14/204
 D. 341,848 11/1993 Bigelow et al. .
 D. 349,284 8/1994 Robertus D14/159
 D. 359,042 6/1995 Tamura D14/107 X
 4,430,526 2/1984 Brown et al. .
 4,449,144 5/1984 Suzuki .
 4,710,813 12/1987 Wallis et al. .
 4,924,311 5/1990 Ohki et al. .
 4,931,872 6/1990 Stoddard et al. .
 4,992,866 2/1991 Morgan .

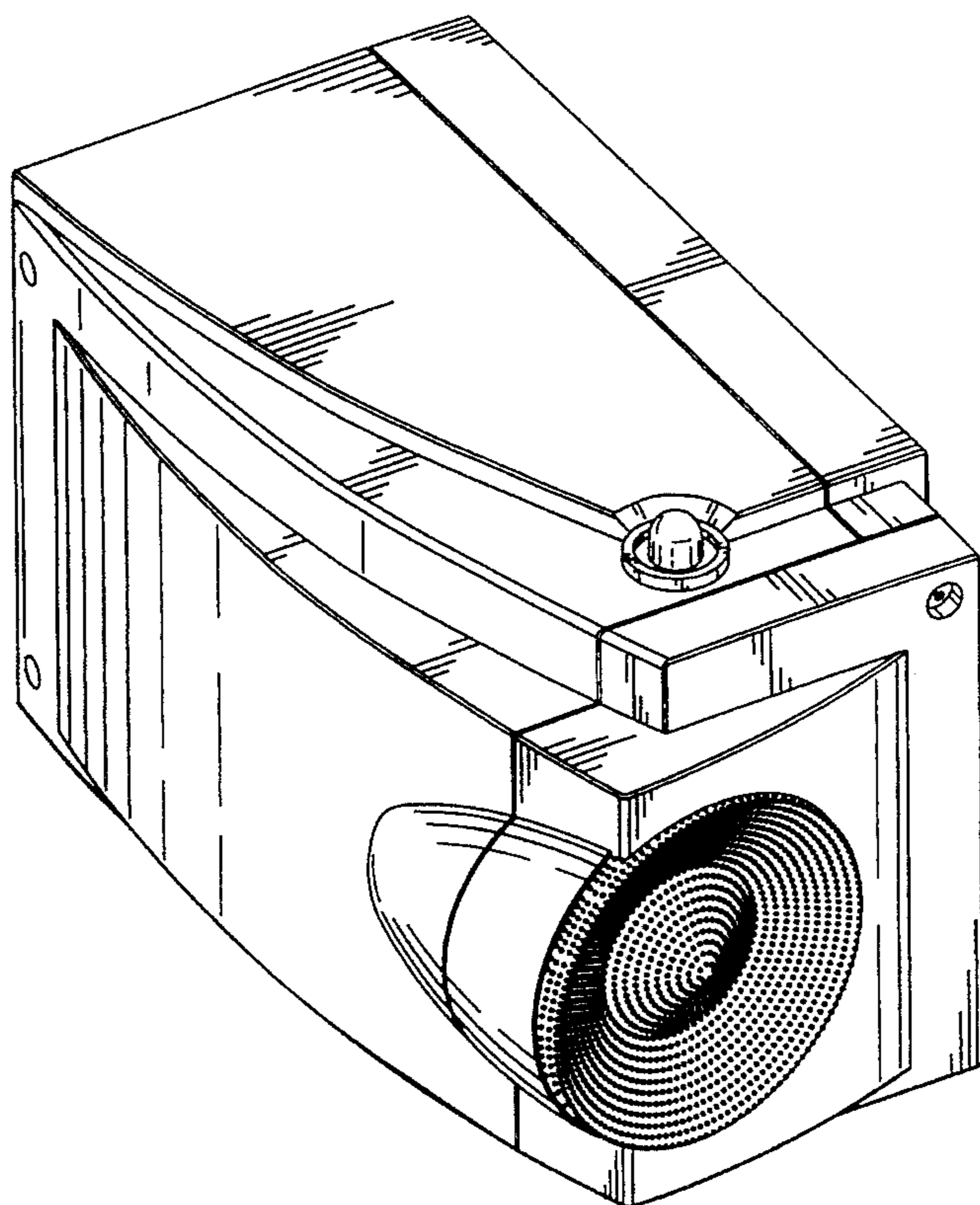
[57] CLAIM

The ornamental design for peripheral video conferencing unit, as shown and described.

DESCRIPTION

FIG. 1 is a top and front perspective view of a peripheral video conferencing unit showing our new design;
 FIG. 2 is a front plan view;
 FIG. 3 is a rear plan view;
 FIG. 4 is a top plan view;
 FIG. 5 is a bottom plan view;
 FIG. 6 is a left plan view; and,
 FIG. 7 is a right plan view.

1 Claim, 4 Drawing Sheets



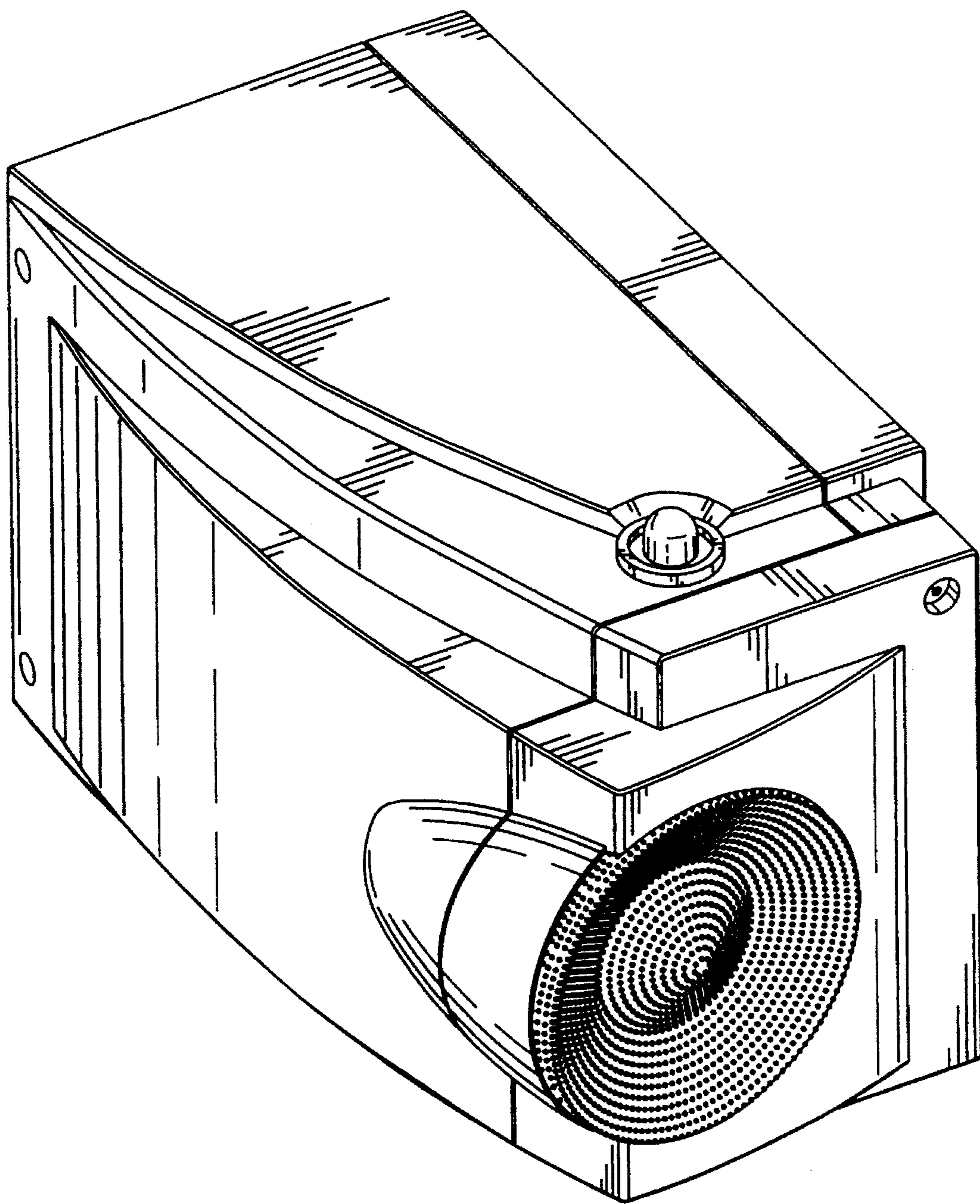


FIG. 1

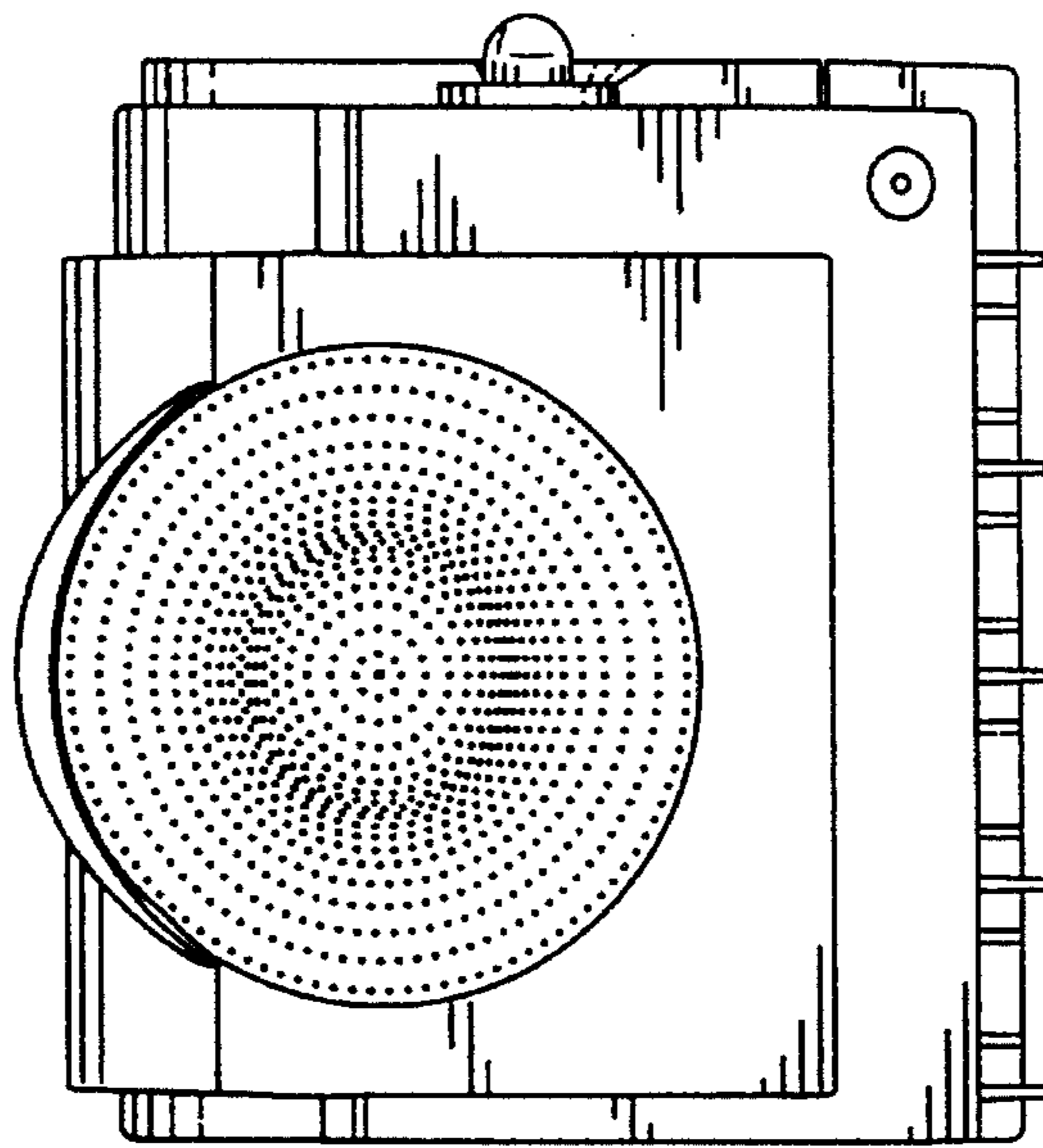


FIG. 2

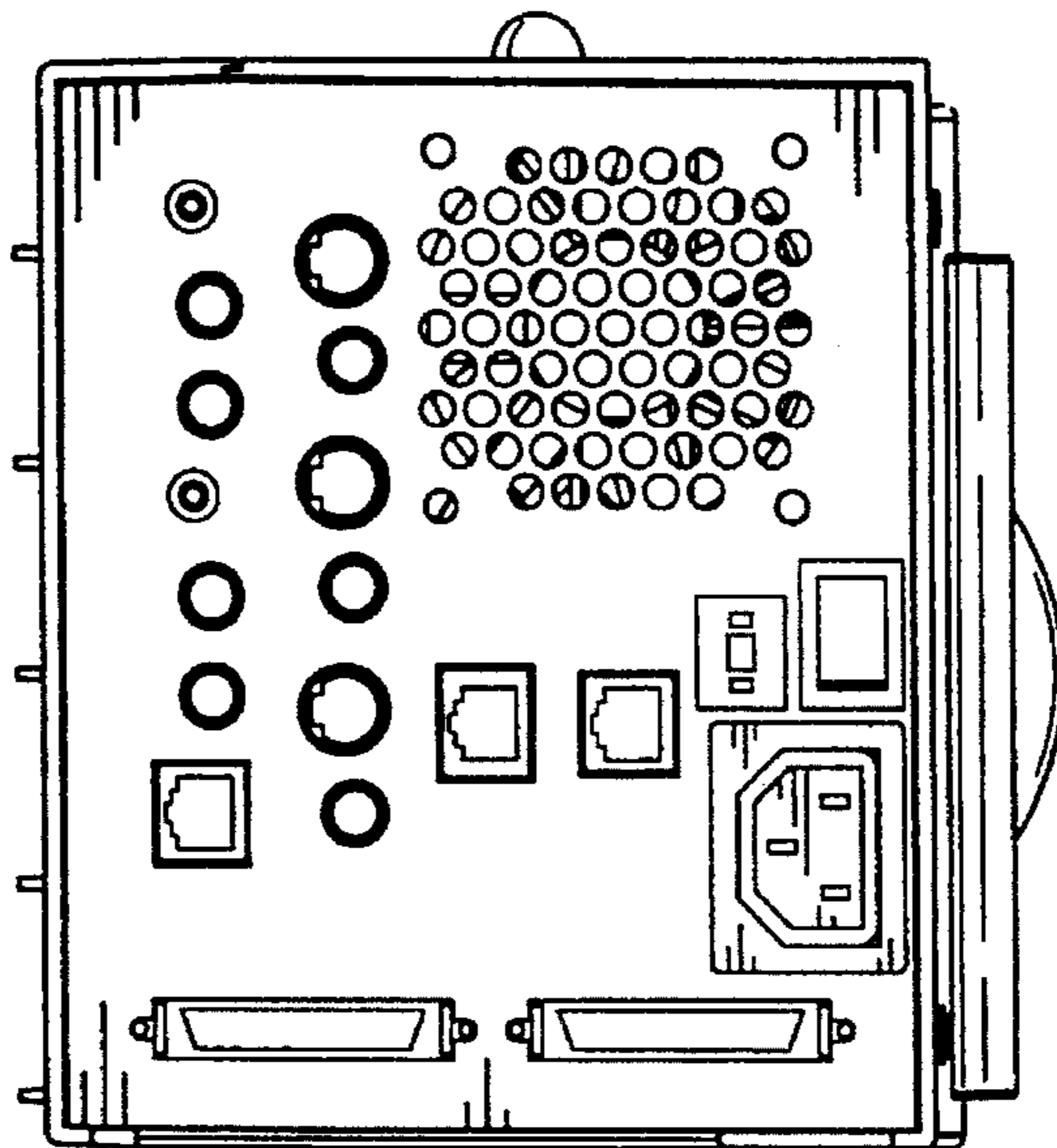


FIG. 3

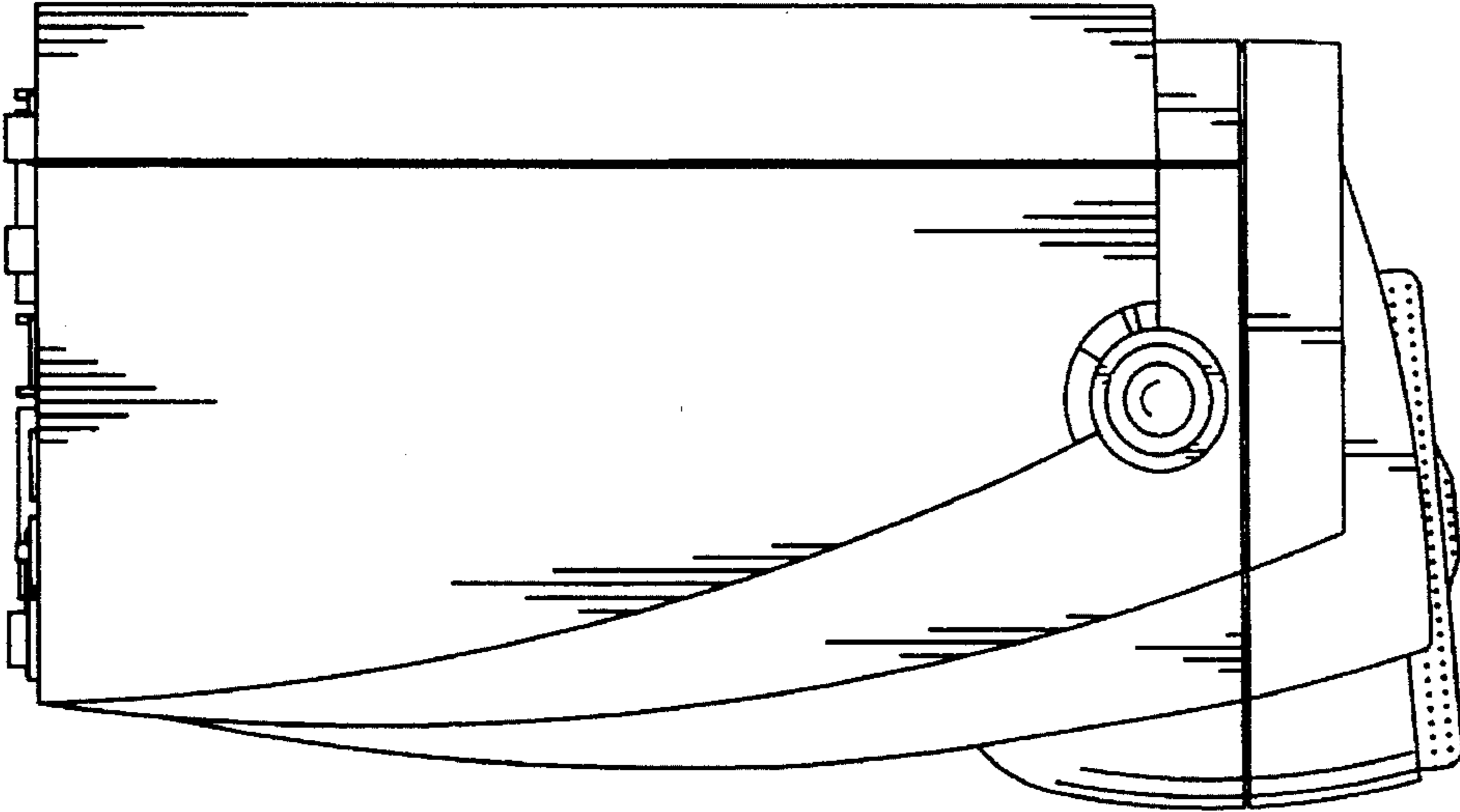


FIG. 4

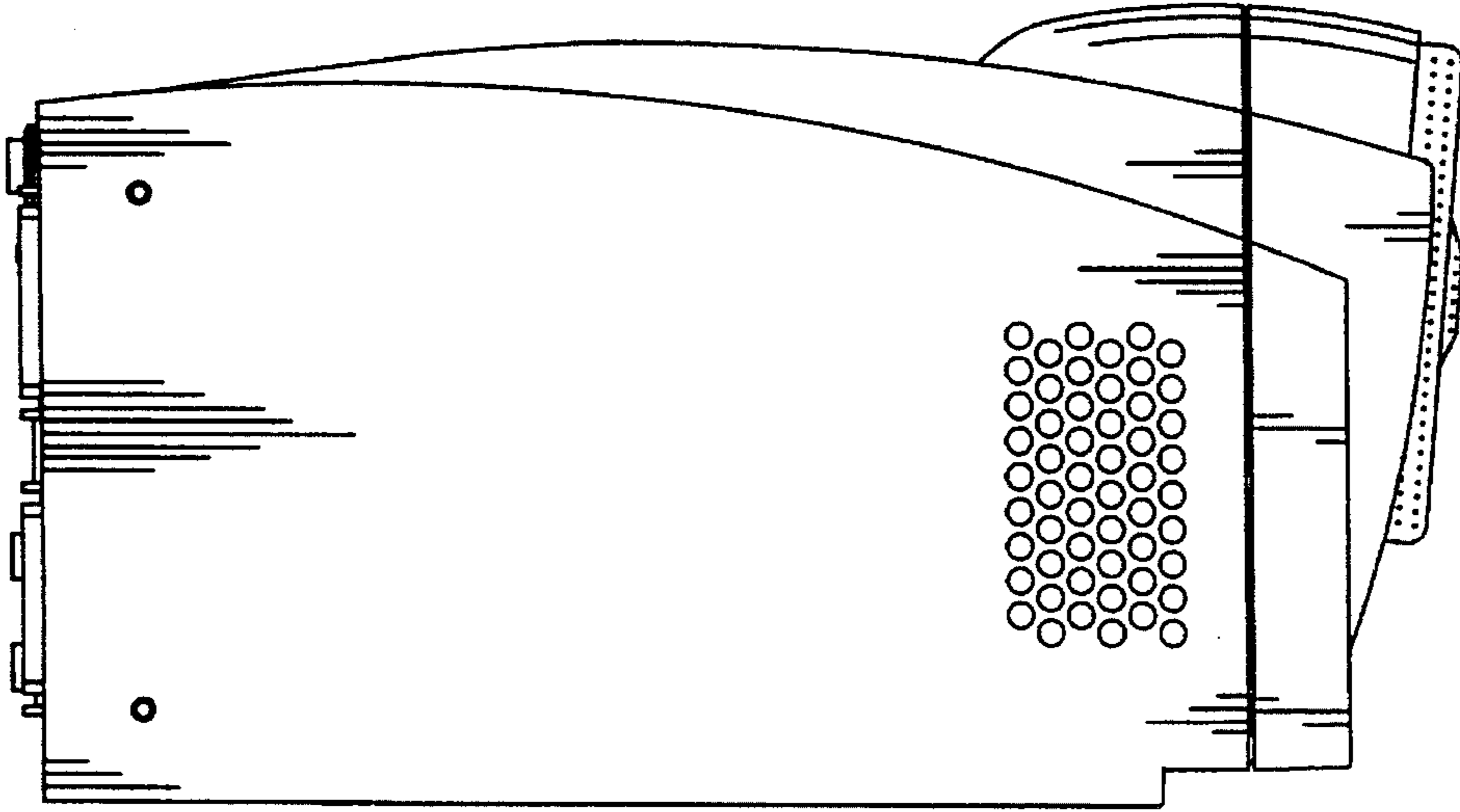


FIG. 5

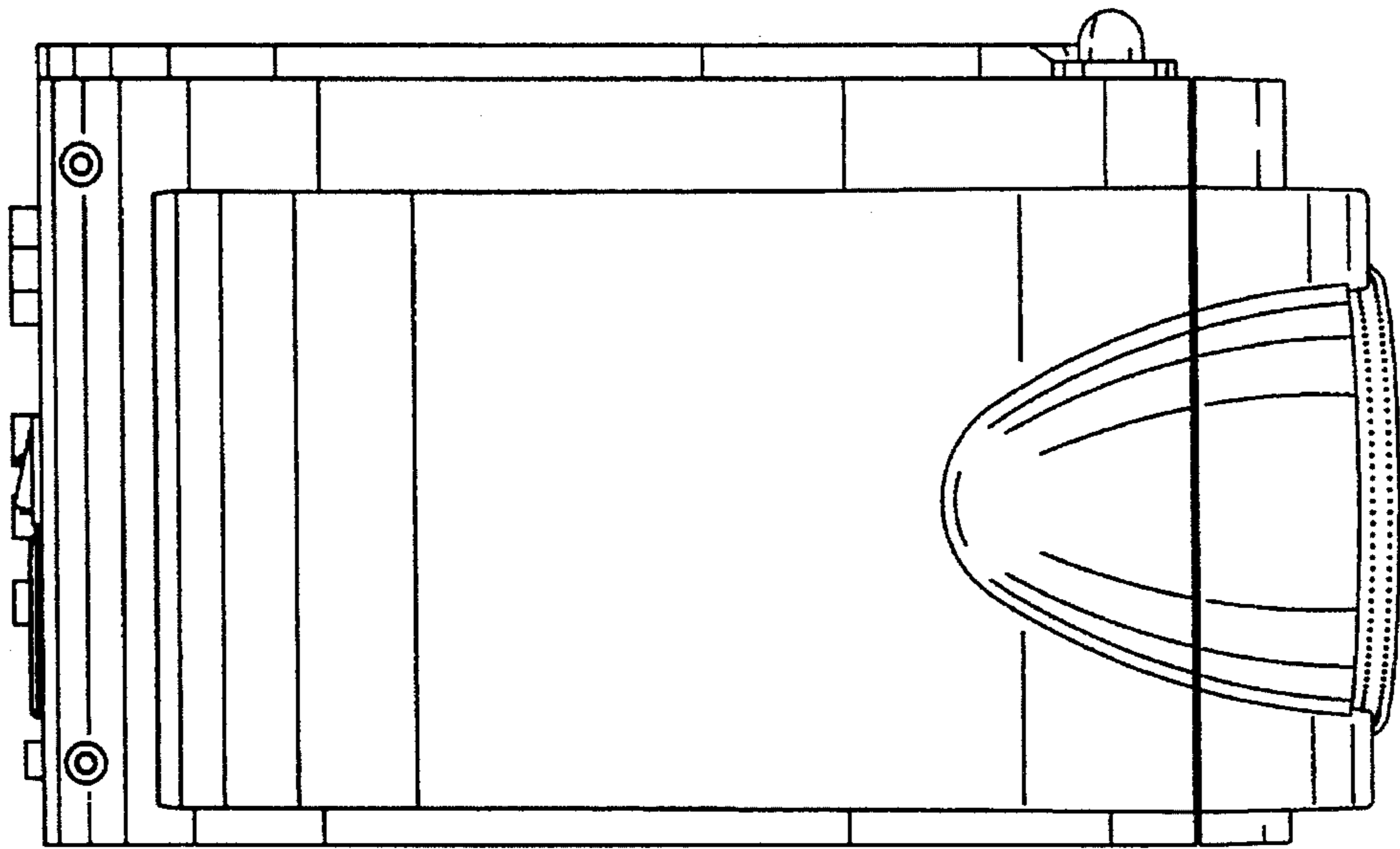


FIG. 6

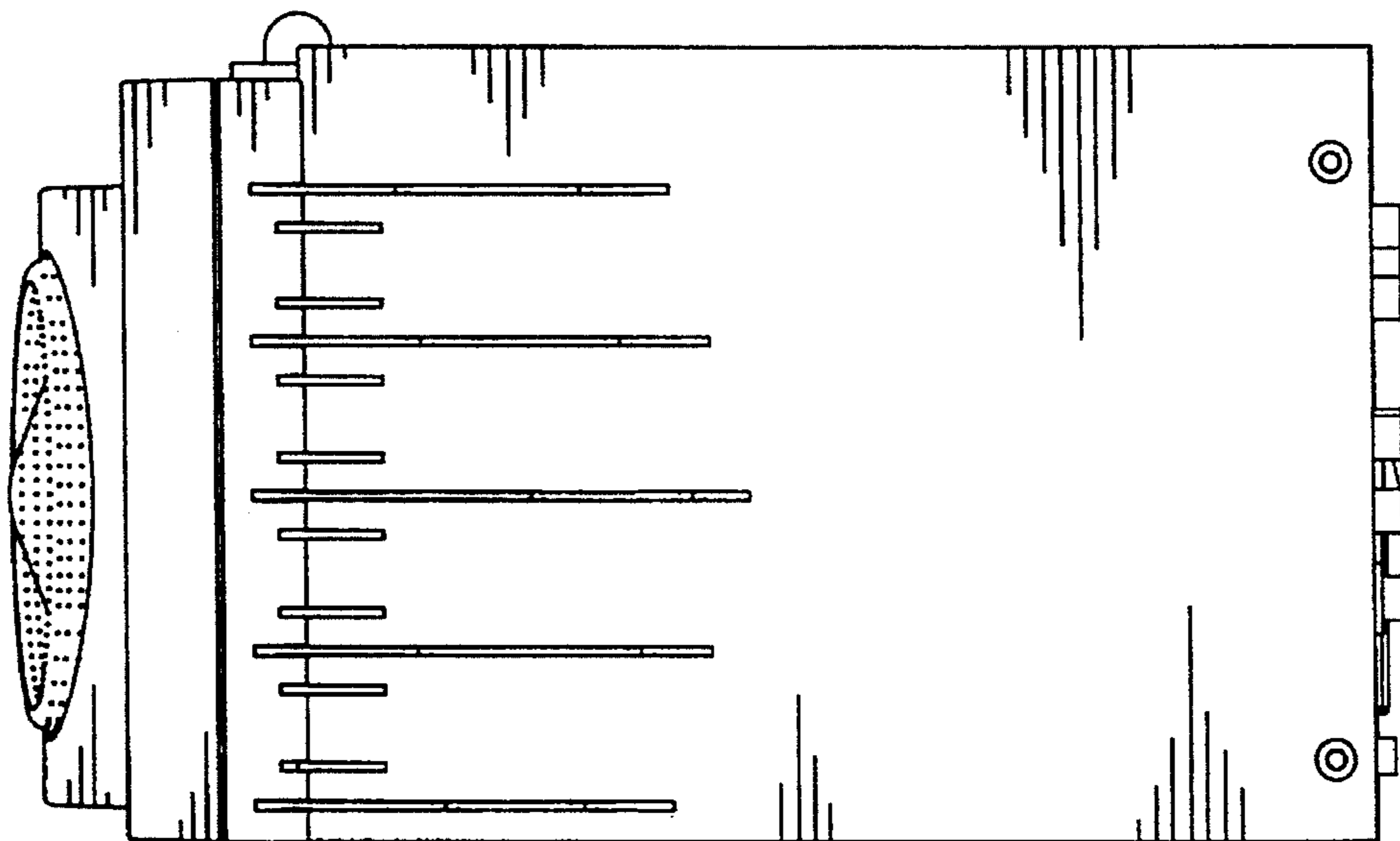


FIG. 7