



US00D370008S

United States Patent [19] Cheng

[11] **Patent Number: Des. 370,008**

[45] **Date of Patent: **May 21, 1996**

[54] **SCANNER**

D. 340,232 10/1993 Yoshida D14/107
4,703,186 10/1987 Nakayama et al. 235/472 X

[75] Inventor: **John Cheng**, Taipei Hsien, Taiwan

Primary Examiner—Freda Nunn
Attorney, Agent, or Firm—Browdy and Neimark

[73] Assignee: **Silitek Corporation**, Taipei, Taiwan

[**] Term: **14 Years**

[57] **CLAIM**

[21] Appl. No.: **40,040**

The ornamental design for a scanner, as shown and described.

[22] Filed: **Jun. 8, 1995**

DESCRIPTION

[52] U.S. Cl. **D14/107**

[58] **Field of Search** D14/100, 105,
D14/107, 118; D18/36, 37, 39, 46, 55;
250/566, 568; 355/231, 233; 358/488, 497,
408, 472, 474; 235/380, 382, 382.5, 454,
462, 470, 476, 482, 483, 441, 472

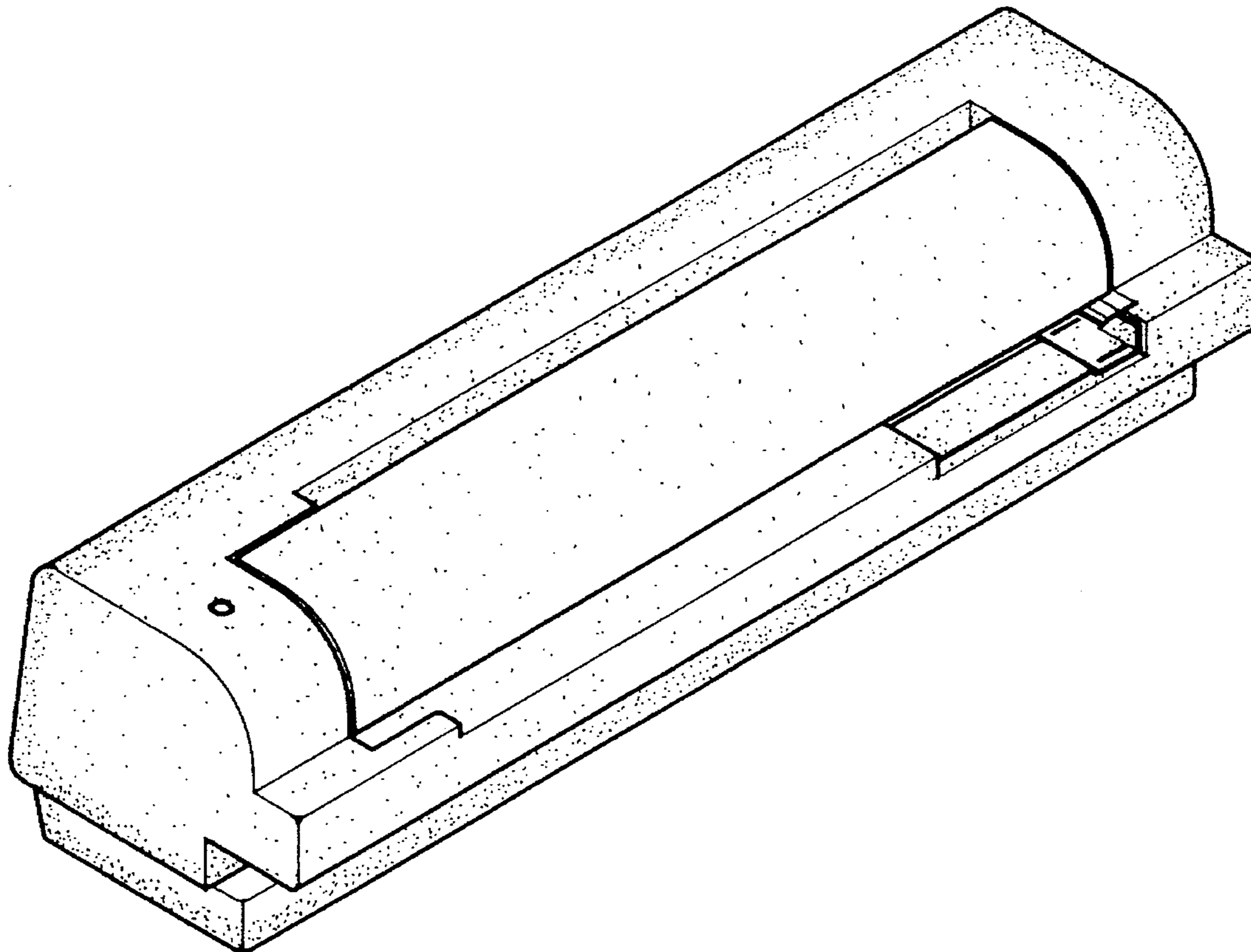
FIG. 1 is the perspective view of a scanner showing my new design;
FIG. 2 is the front elevational view thereof;
FIG. 3 is the rear elevational view thereof;
FIG. 4 is the left side elevational view thereof;
FIG. 5 is the right side elevational view thereof;
FIG. 6 is the top plan view thereof; and,
FIG. 7 is the bottom plan view thereof.

[56] **References Cited**

U.S. PATENT DOCUMENTS

D. 302,812 8/1989 Hiroki D14/107

1 Claim, 6 Drawing Sheets



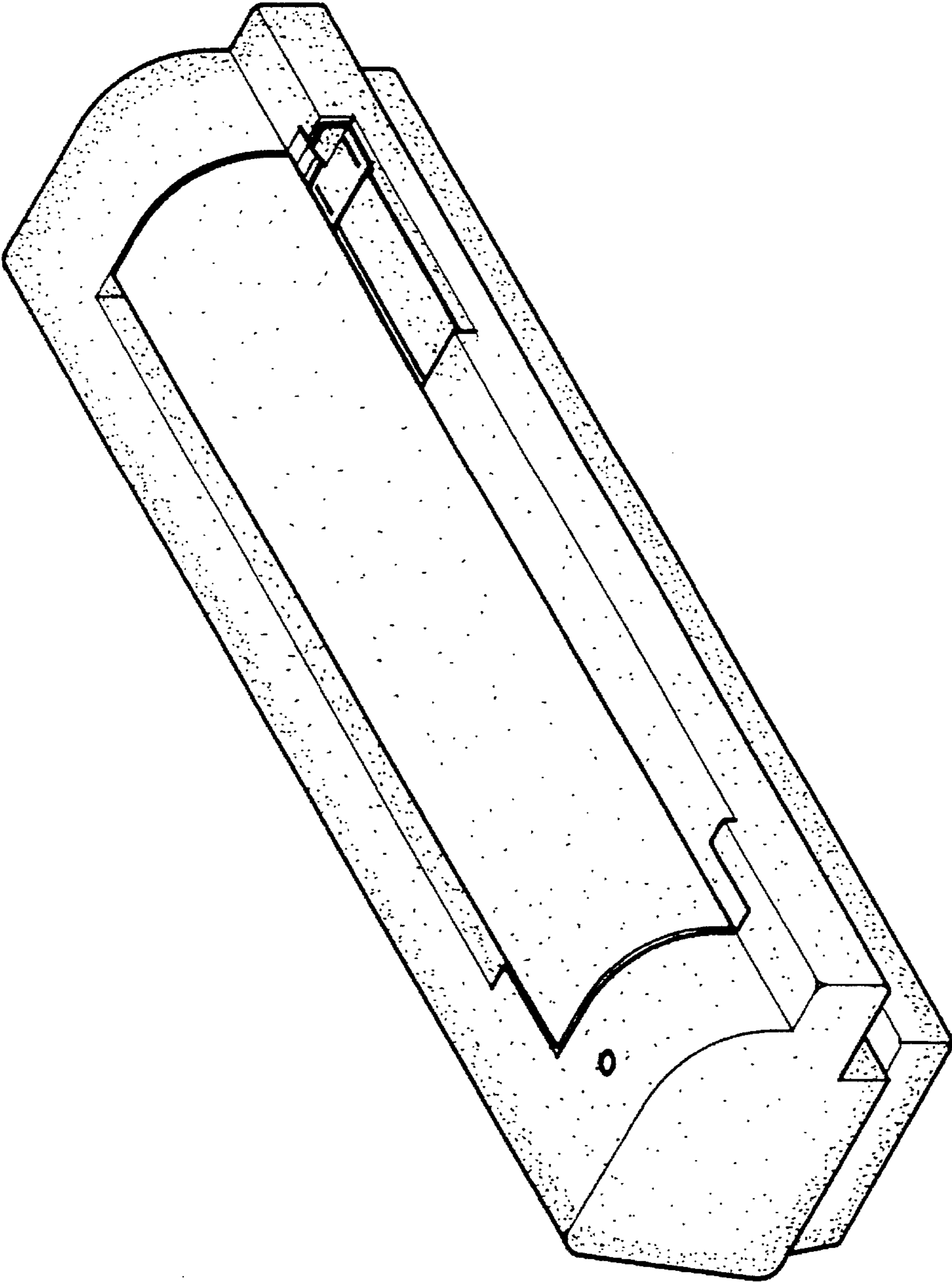


FIG.1

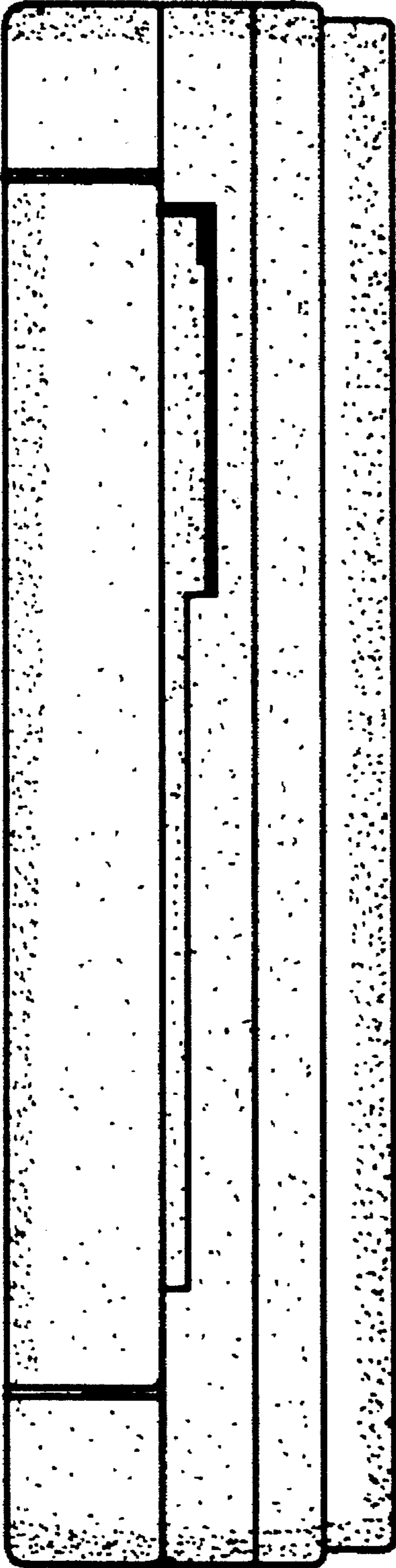


FIG.2

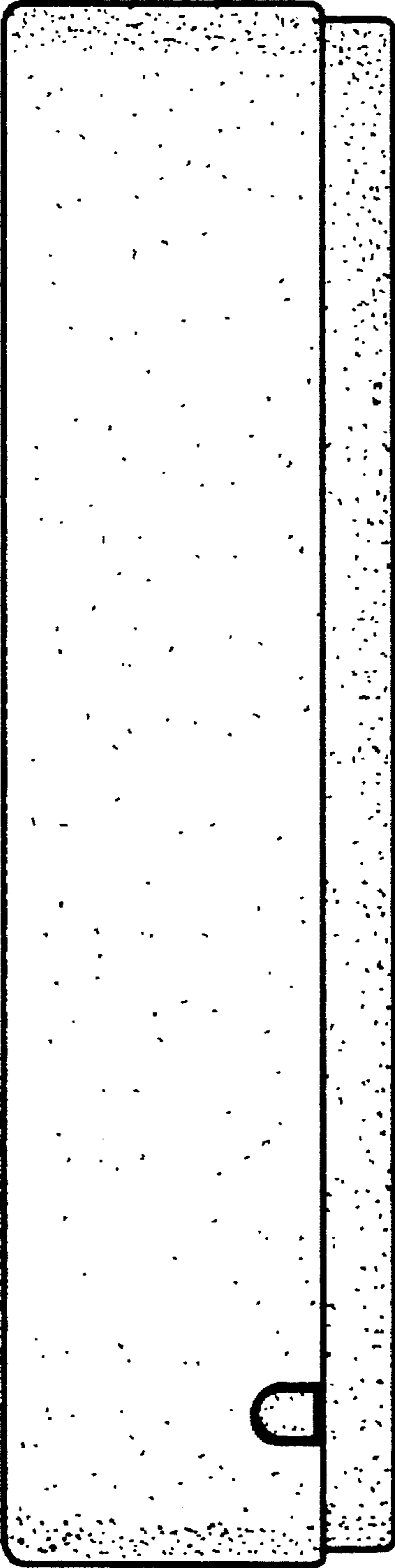


FIG. 3

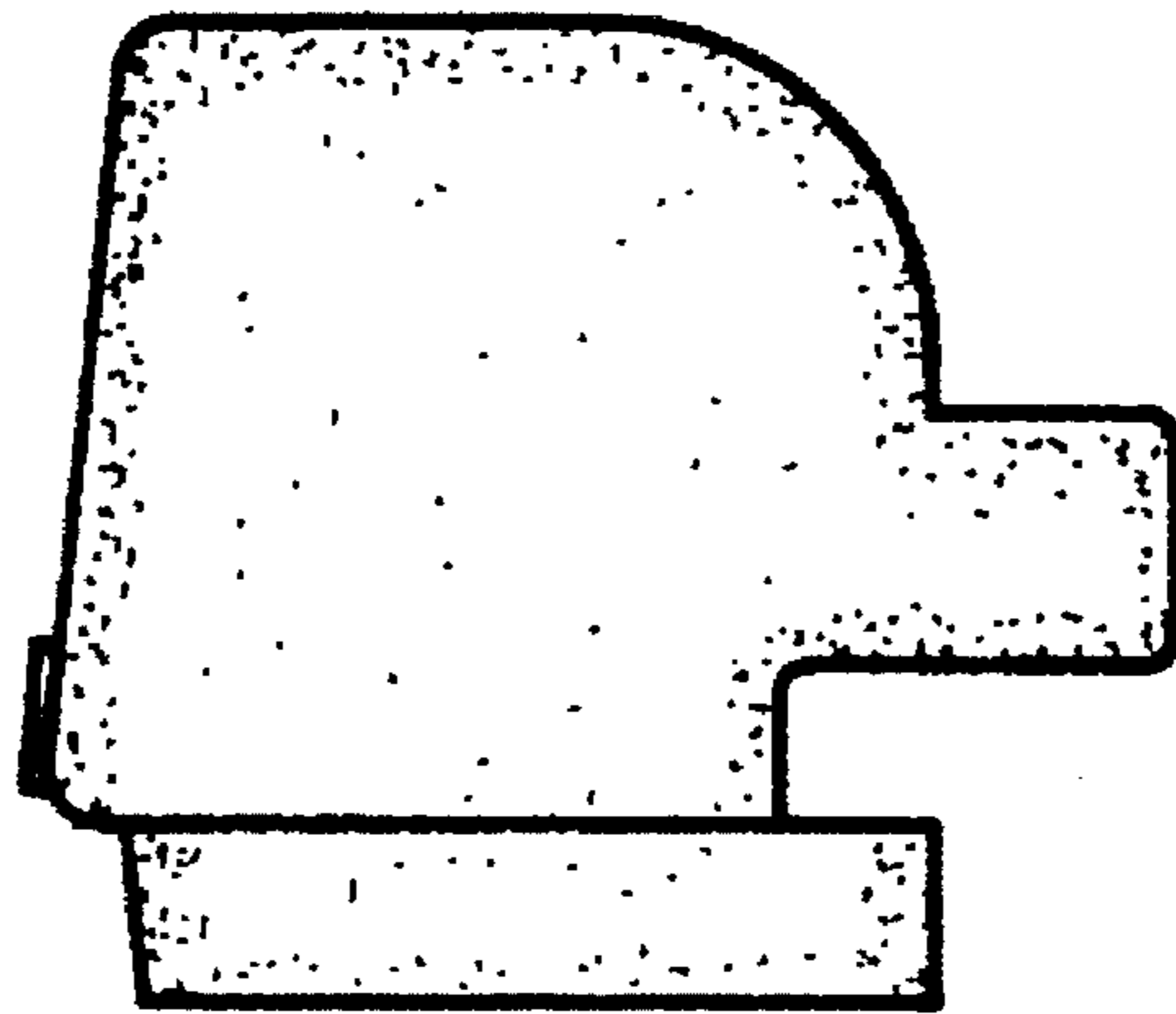


FIG. 4

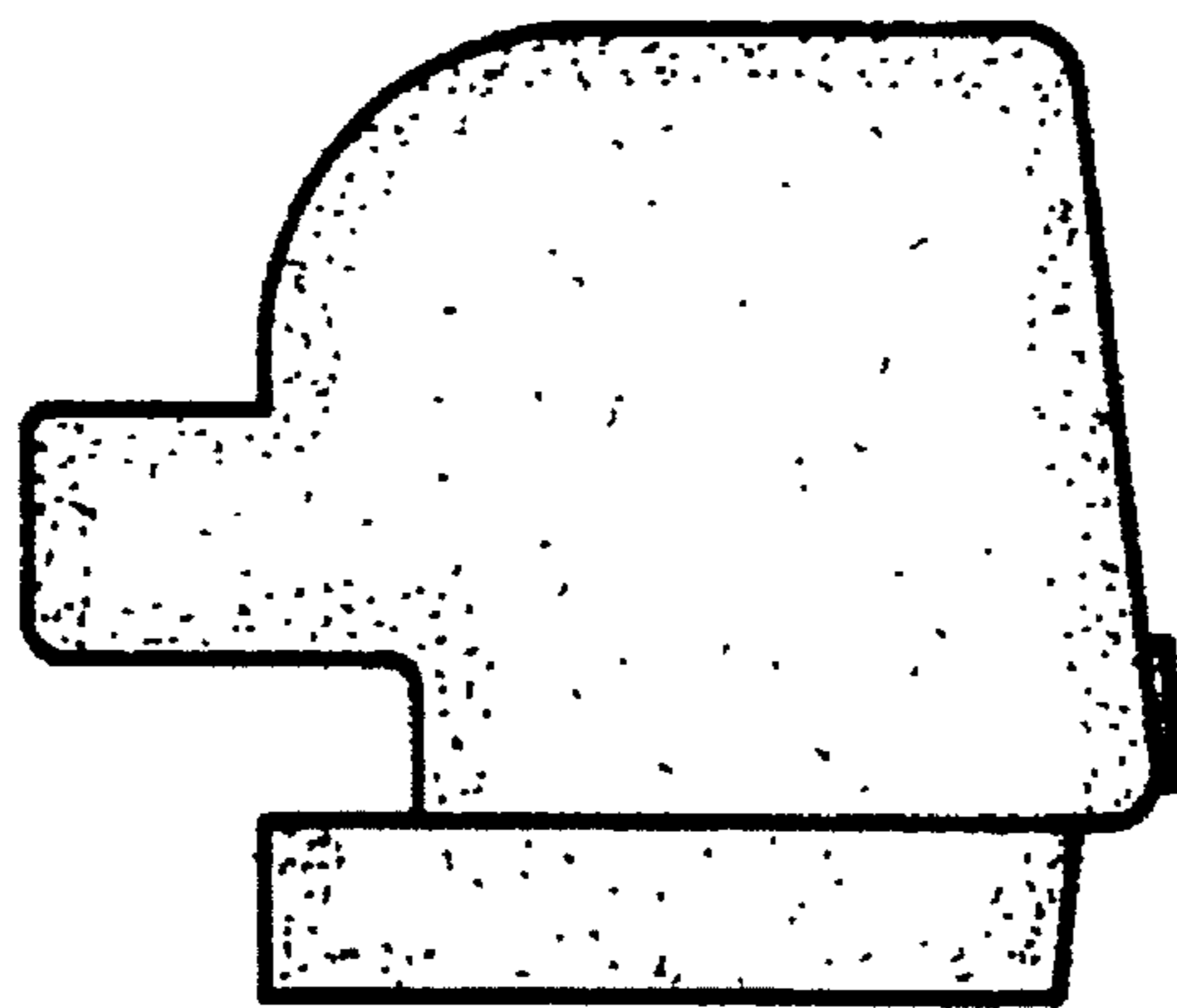


FIG. 5

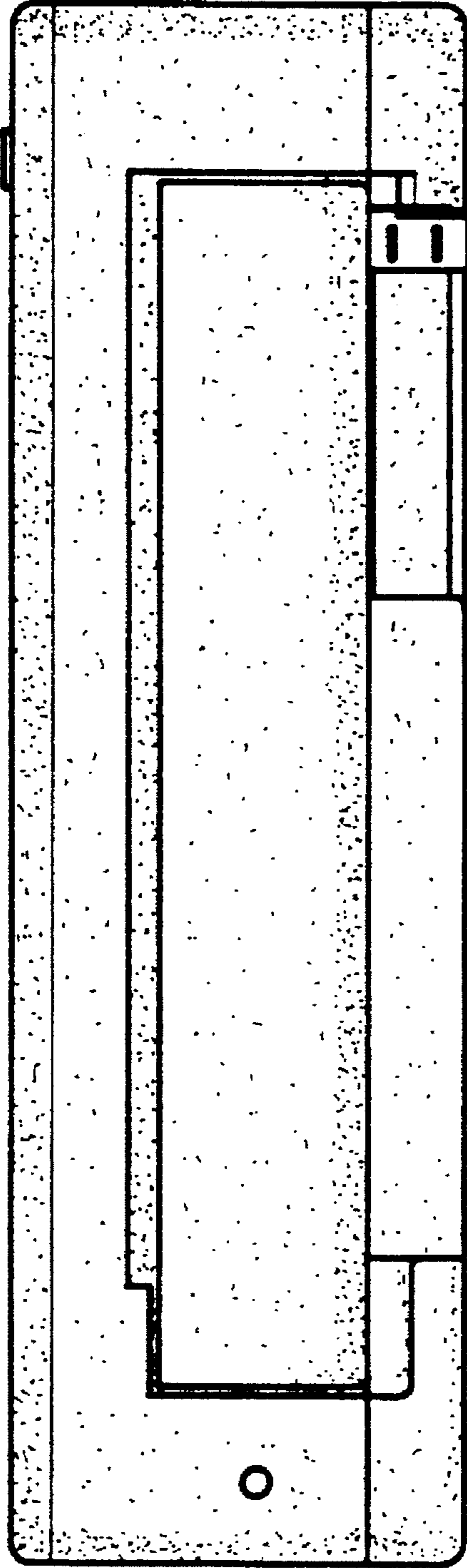


FIG.6

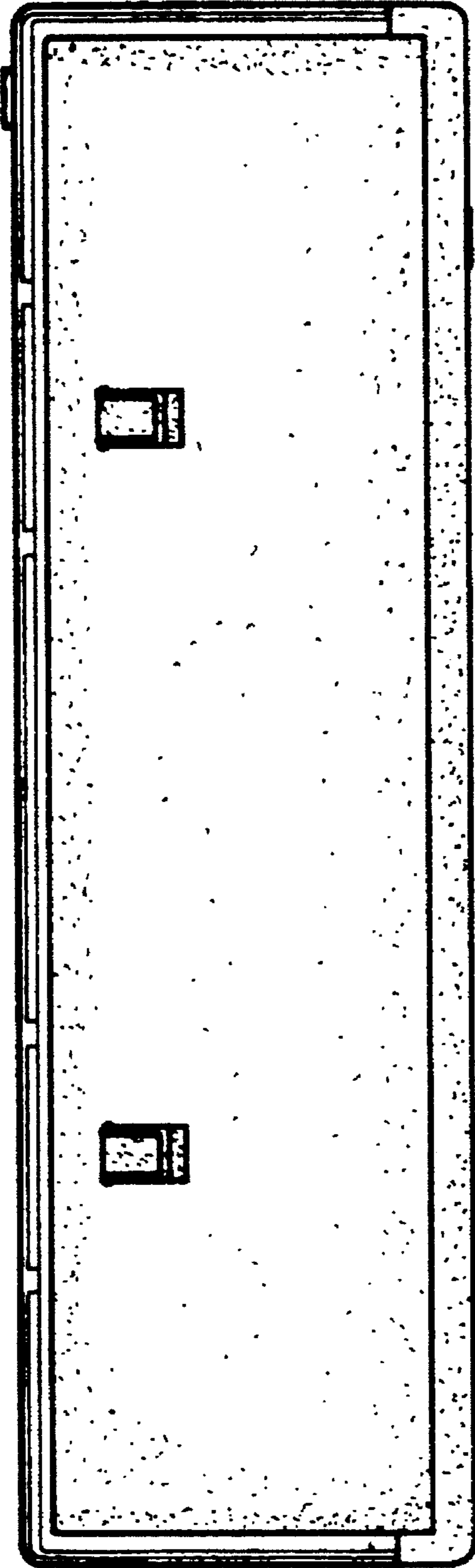


FIG. 7