



US00D370004S

United States Patent [19]
Robinson

[11] **Patent Number: Des. 370,004**
[45] **Date of Patent: **May 21, 1996**

[54] **ELECTRICAL RECEPTACLE SHIELD**

4,607,136 8/1986 Thomas 174/67
4,968,856 11/1990 Bowley et al. 174/67

[76] Inventor: **Robert W. Robinson**, 10 Birkshire Ct.,
Apt. #207, Kitchener, Ontario, Canada,
N2B-3H9

Primary Examiner—Joel Sincavage
Attorney, Agent, or Firm—James A. Hudak

[**] Term: **14 Years**

[57] **CLAIM**

The ornamental design for an electrical receptacle shield, as shown and described.

[21] Appl. No.: **39,079**

[22] Filed: **May 19, 1995**

[52] U.S. Cl. **D13/156**

[58] Field of Search D13/154, 156;
174/66; 439/135, 147, 373

DESCRIPTION

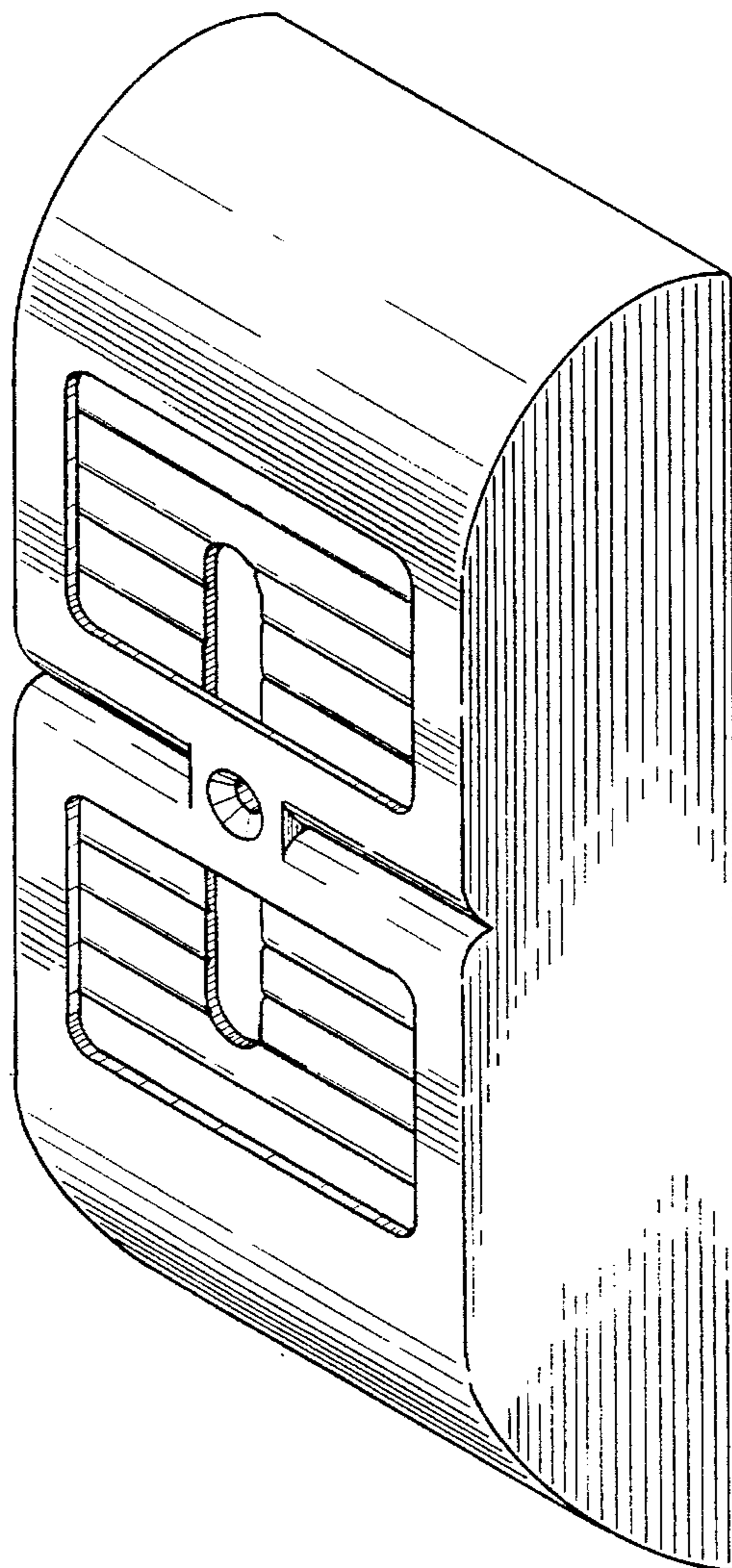
FIG. 1 is a perspective view of the electrical receptacle shield showing my new design;
FIG. 2 is a front elevational view thereof;
FIG. 3 is a rear elevational view thereof;
FIG. 4 is a right side elevational view thereof, the left side elevational view being a mirror image of the view shown in this FIG.; and,
FIG. 5 is a top plan view thereof, the bottom plan view being a mirror image of the view shown in this FIG.

[56] **References Cited**

U.S. PATENT DOCUMENTS

2,934,591	4/1960	Tiikkainen	439/135	X
3,928,116	12/1975	Marrero	439/135	X
4,424,407	1/1984	Barbic	439/373	X
4,530,555	7/1985	South	439/135	X
4,603,932	8/1986	Heverly	439/147	

1 Claim, 3 Drawing Sheets



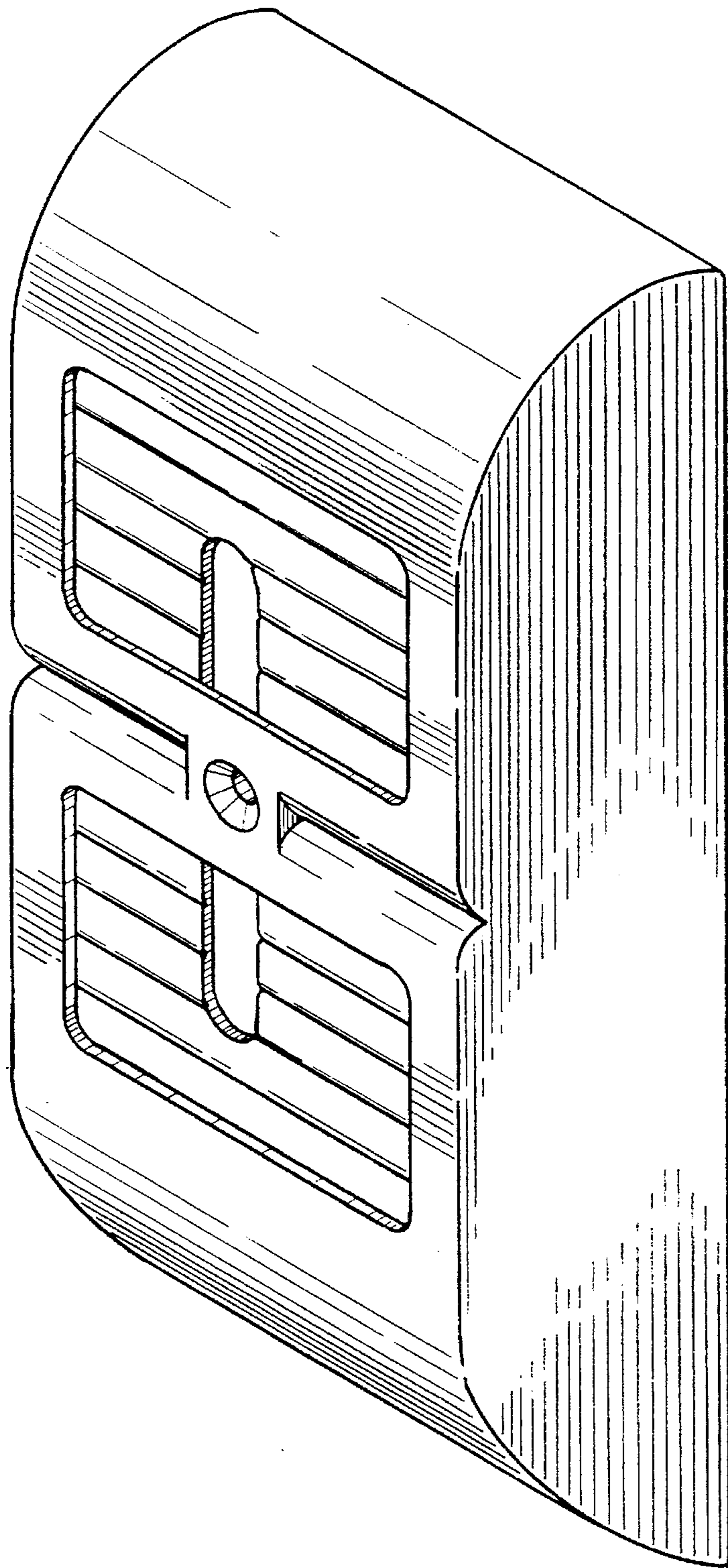


FIG 1

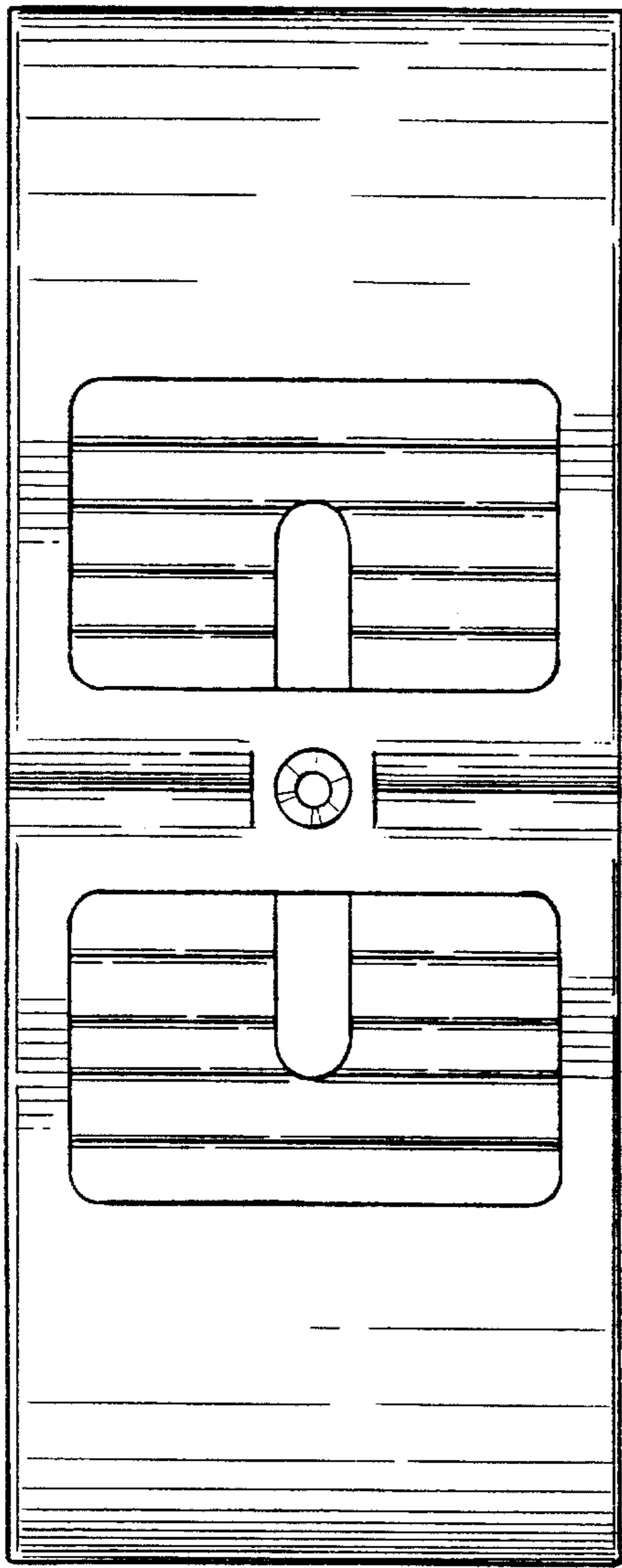


FIG. 2

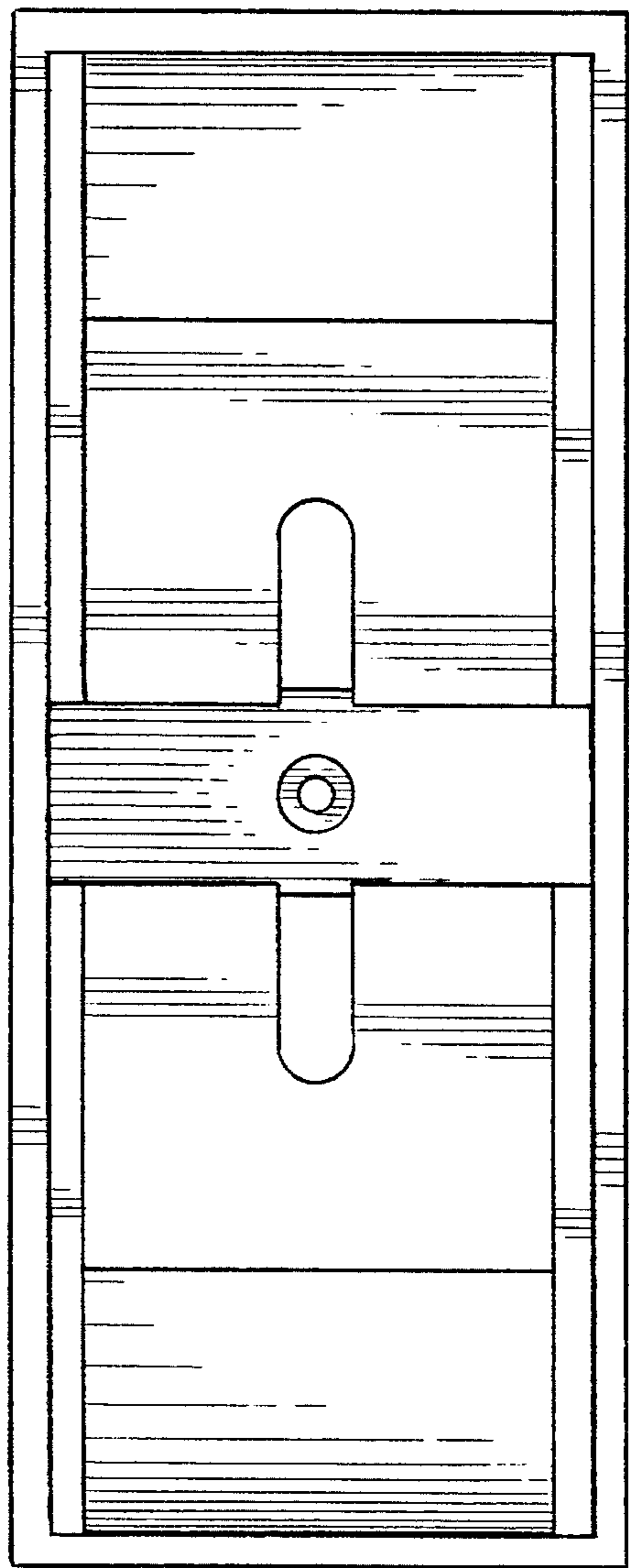


FIG. 3

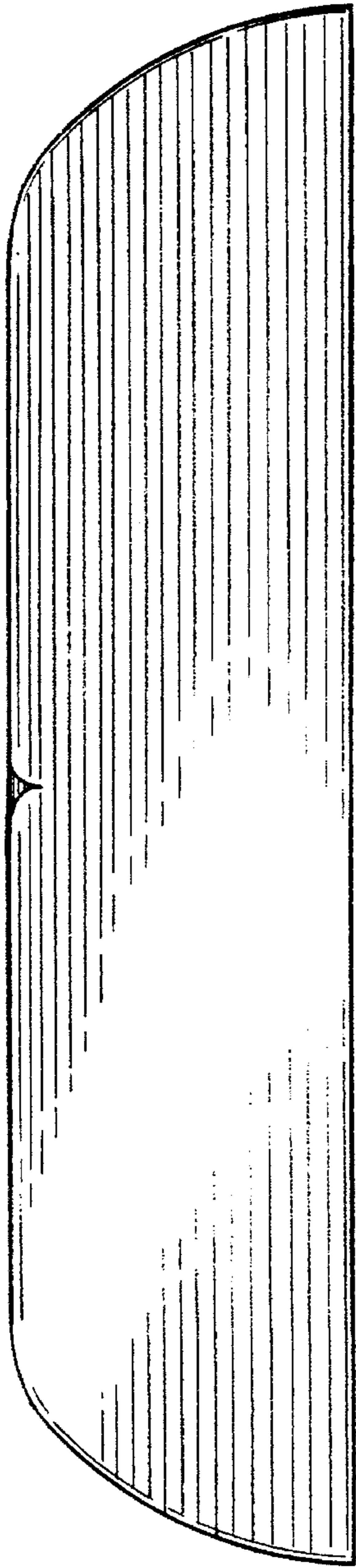


FIG. 4

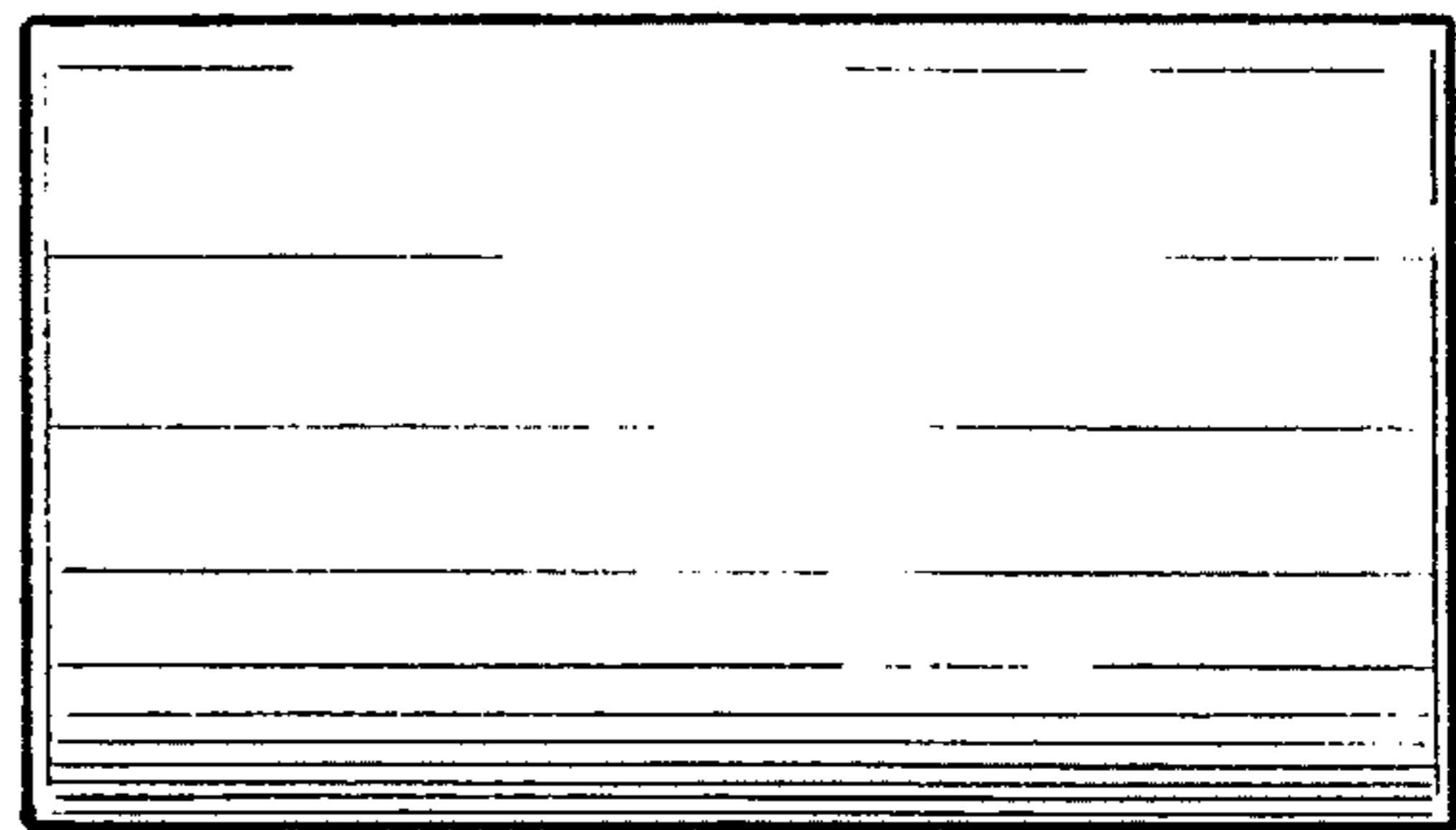


FIG. 5