



US00D370003S

United States Patent [19]
Kieronski

[11] **Patent Number: Des. 370,003**

[45] **Date of Patent: **May 21, 1996**

[54] **HULL FOR CATAMARAN STYLE WATERCRAFT**

FOREIGN PATENT DOCUMENTS

2612872 9/1988 France 114/347

[76] Inventor: **Robert V. Kieronski**, 37 Catherine St.,
Newport, R.I. 02840-2776

Primary Examiner—Kay H. Chin

[**] Term: **14 Years**

[57] **CLAIM**

The ornamental design for a hull for catamaran style watercraft, as shown.

[21] Appl. No.: **41,695**

DESCRIPTION

[22] Filed: **Jul. 24, 1995**

[52] U.S. Cl. **D12/304; D12/300**

FIG. 1 is a perspective view;

[58] Field of Search **D12/300, 303,**
D12/304, 306; 114/39.1, 61, 345

FIG. 2 is a top view;

FIG. 3 is a bottom view;

FIG. 4 is a left side view;

FIG. 5 is a right side view;

FIG. 6 is a front view; and,

FIG. 7 is a back view.

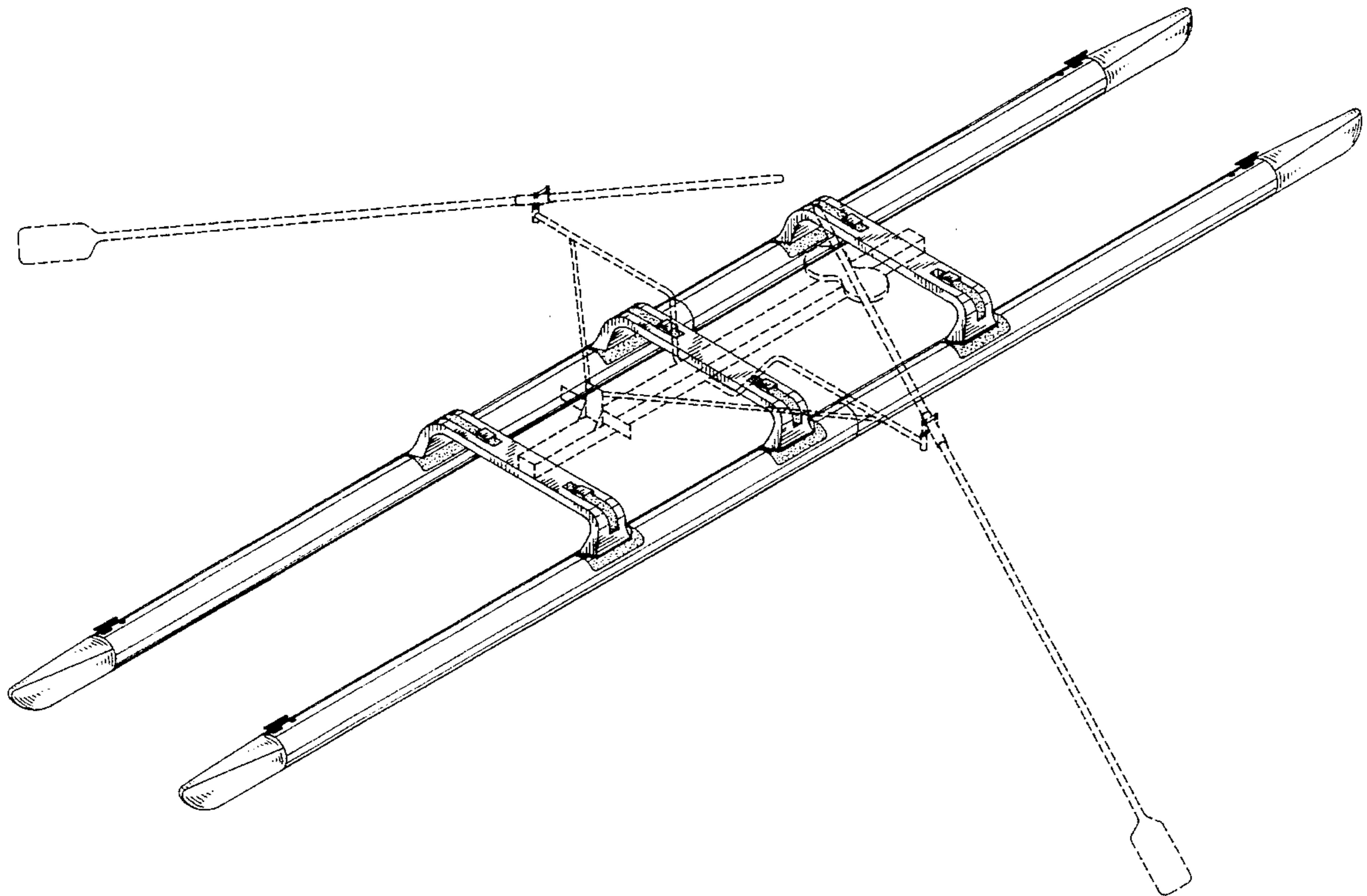
[56] **References Cited**

U.S. PATENT DOCUMENTS

D. 256,572	8/1980	Jedzinski	D12/304
3,524,422	8/1970	Fuller	D12/304
5,042,411	8/1991	Krolczyk	114/39.1
5,374,206	12/1994	Gregory	D12/306

The broken lines shown in FIG. 1 are for illustrative purposes only and form no part of the claimed design.

1 Claim, 3 Drawing Sheets



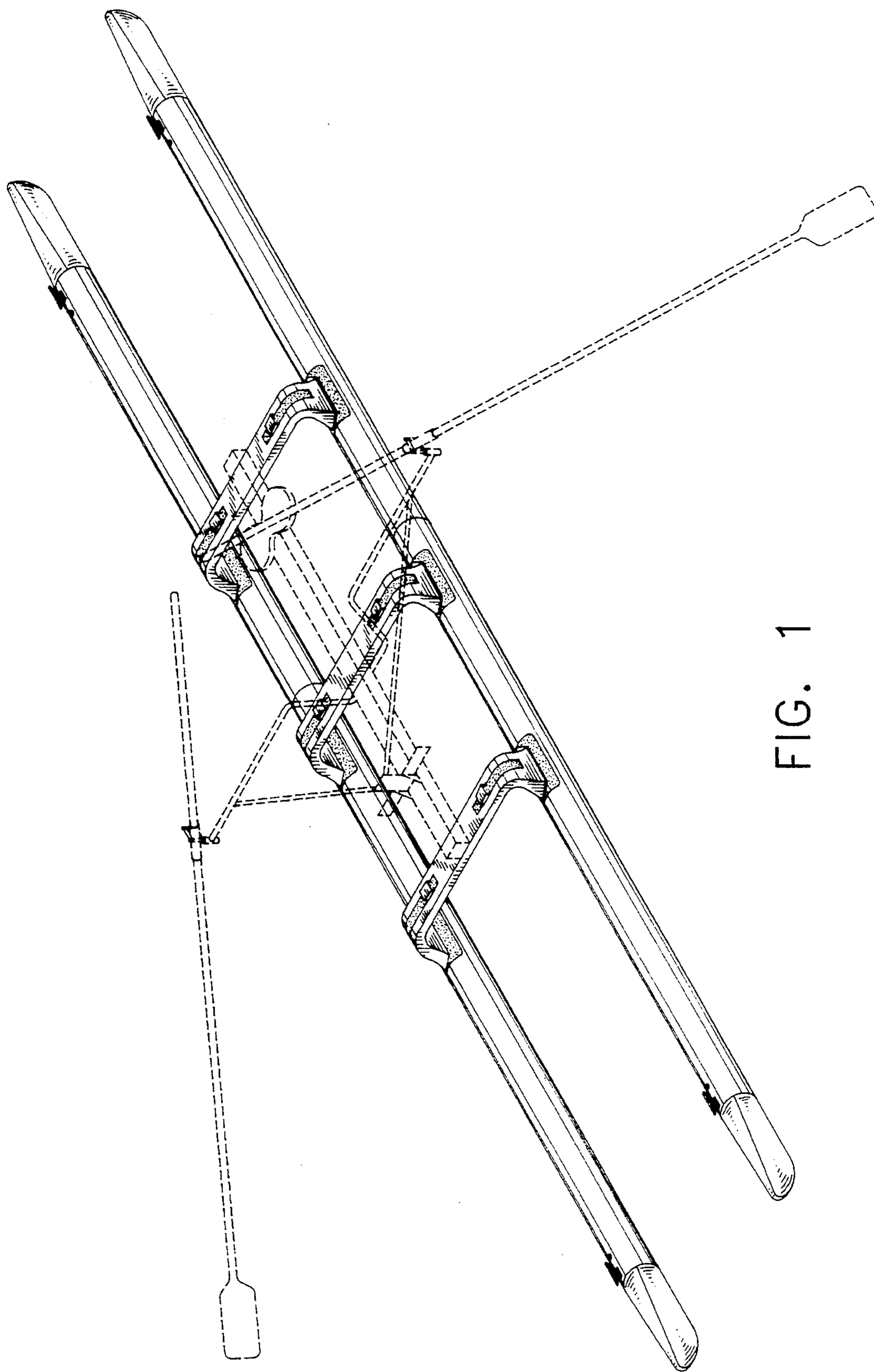


FIG. 1

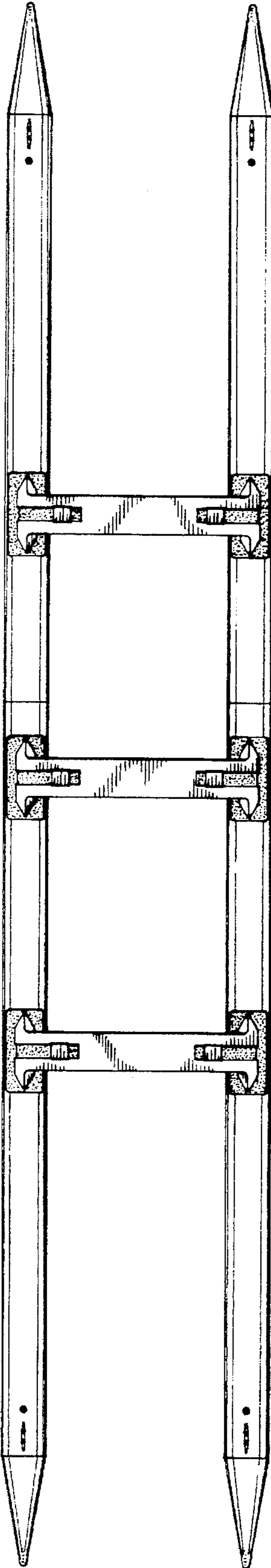


FIG. 2

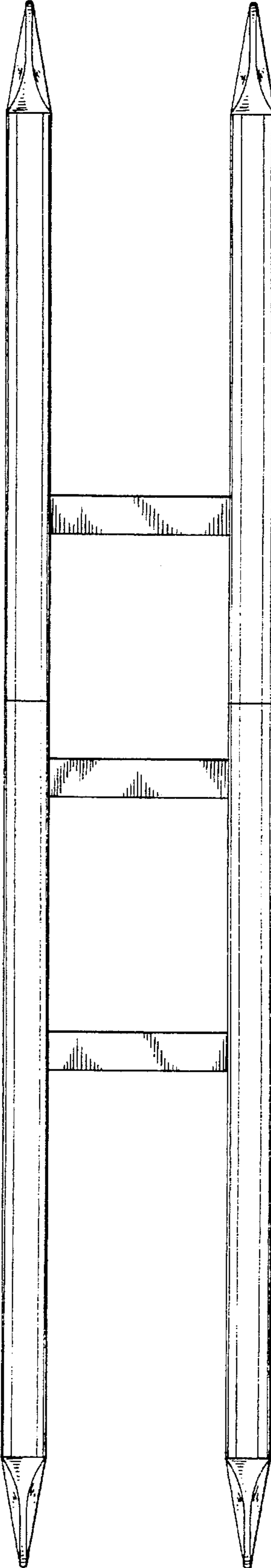


FIG. 3

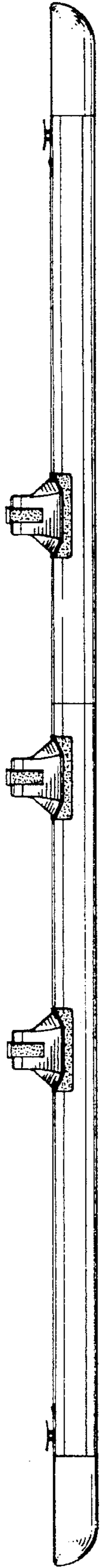


FIG. 4

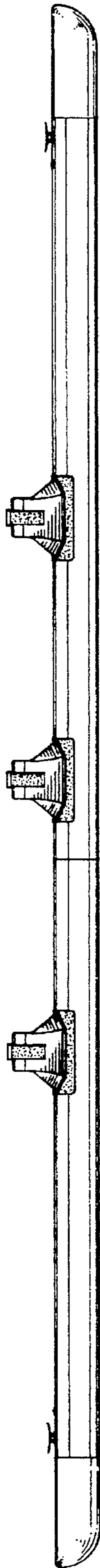


FIG. 5

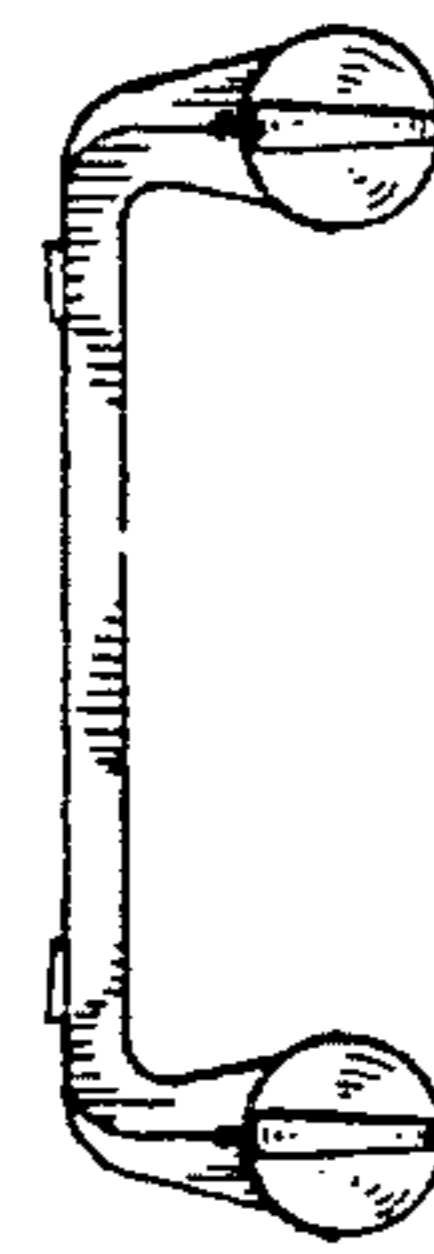


FIG. 6

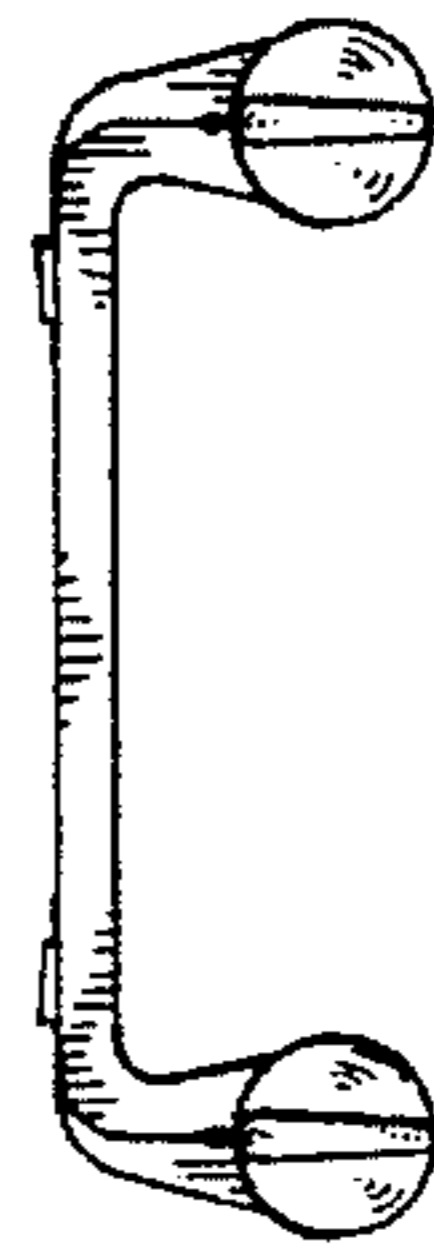


FIG. 7