



US00D369992S

United States Patent [19]

[11] Patent Number: **Des. 369,992**

Baechler

[45] Date of Patent: ***** May 21, 1996**

- [54] **BABY STROLLER UPPER FRAME AND SEAT**
- [75] Inventor: **Philip A. Baechler**, Yakima, Wash.
- [73] Assignee: **Racing Strollers, Inc.**, Yakima, Wash.
- [*] Notice: The portion of the term of this patent subsequent to Mar. 28, 2009, has been disclaimed.
- [**] Term: **14 Years**
- [21] Appl. No.: **34,687**
- [22] Filed: **Feb. 9, 1995**

4,570,956	2/1986	Dyer	280/30
4,618,184	10/1986	Harvey	297/19
4,847,945	7/1989	Schwartz et al.	16/30
4,902,027	2/1990	Skelly	280/33.998
4,917,442	4/1990	Johnson	301/113
4,934,728	6/1990	Chen	280/644
4,953,880	9/1990	Sudakoff et al.	280/47.38
4,958,842	9/1990	Chang	280/7.1
4,963,115	10/1990	Davin et al.	446/96
5,029,891	7/1991	Jacobs	280/650
5,076,599	12/1991	Lockett et al.	280/204
5,123,670	6/1992	Chen	280/650
5,188,389	2/1993	Baechler et al.	280/650
5,213,360	5/1993	Chin-Feng	280/648
5,224,720	7/1993	Chaw et al.	280/62
5,259,635	11/1993	Picker	280/250.1
5,299,825	4/1994	Smith	280/644
5,344,171	9/1994	Garforth-Bles	280/415.1
5,356,171	10/1994	Schmidlin et al.	280/650
5,364,119	11/1994	Leu	280/647

Related U.S. Application Data

- [63] Continuation of Ser. No. 13,011, Sep. 15, 1993, Pat. No. Des. 356,760, and a division of Ser. No. 122,636, Sep. 15, 1993, which is a continuation-in-part of Ser. No. 948,913, Sep. 18, 1992, Pat. No. Des. 343,812.
- [52] U.S. Cl. **D12/129**
- [58] Field of Search D12/128, 129, D12/133; 280/250.1, 650, 62, 647, 644

FOREIGN PATENT DOCUMENTS

3525334	1/1987	European Pat. Off. .
2244029	11/1991	United Kingdom .

Primary Examiner—Kay H. Chin
Attorney, Agent, or Firm—Seed and Berry

[56] References Cited

U.S. PATENT DOCUMENTS

Re. 3,636	9/1869	Christian .	
D. 204,254	4/1966	Cerf	D14/14
239,523	4/1976	Firth et al.	D12/129
D. 297,525	9/1988	Baechler	D12/129
D. 301,850	6/1989	Clement et al.	D12/129
D. 315,885	4/1991	Jacobs	D12/129
D. 332,591	1/1993	Reely	D12/129
D. 343,812	2/1994	Baechler et al.	D12/129
D. 350,923	9/1994	Schmidlin et al.	D12/12
D. 356,760	3/1995	Baechler	D12/133
699,186	5/1902	Katzke .	
1,557,263	10/1925	Millen	D12/129
2,425,688	8/1947	Schulte	280/36
3,781,031	12/1973	Patin	280/62
3,870,371	3/1975	Solomon	301/1
4,346,912	8/1982	Habib	280/644

[57] CLAIM

The ornamental design for a baby stroller upper frame and seat, as shown and described.

DESCRIPTION

FIG. 1 is a front perspective view of a baby stroller upper frame and seat showing my new design. The broken lines are for illustrative purposes only and form no part of the claimed design;

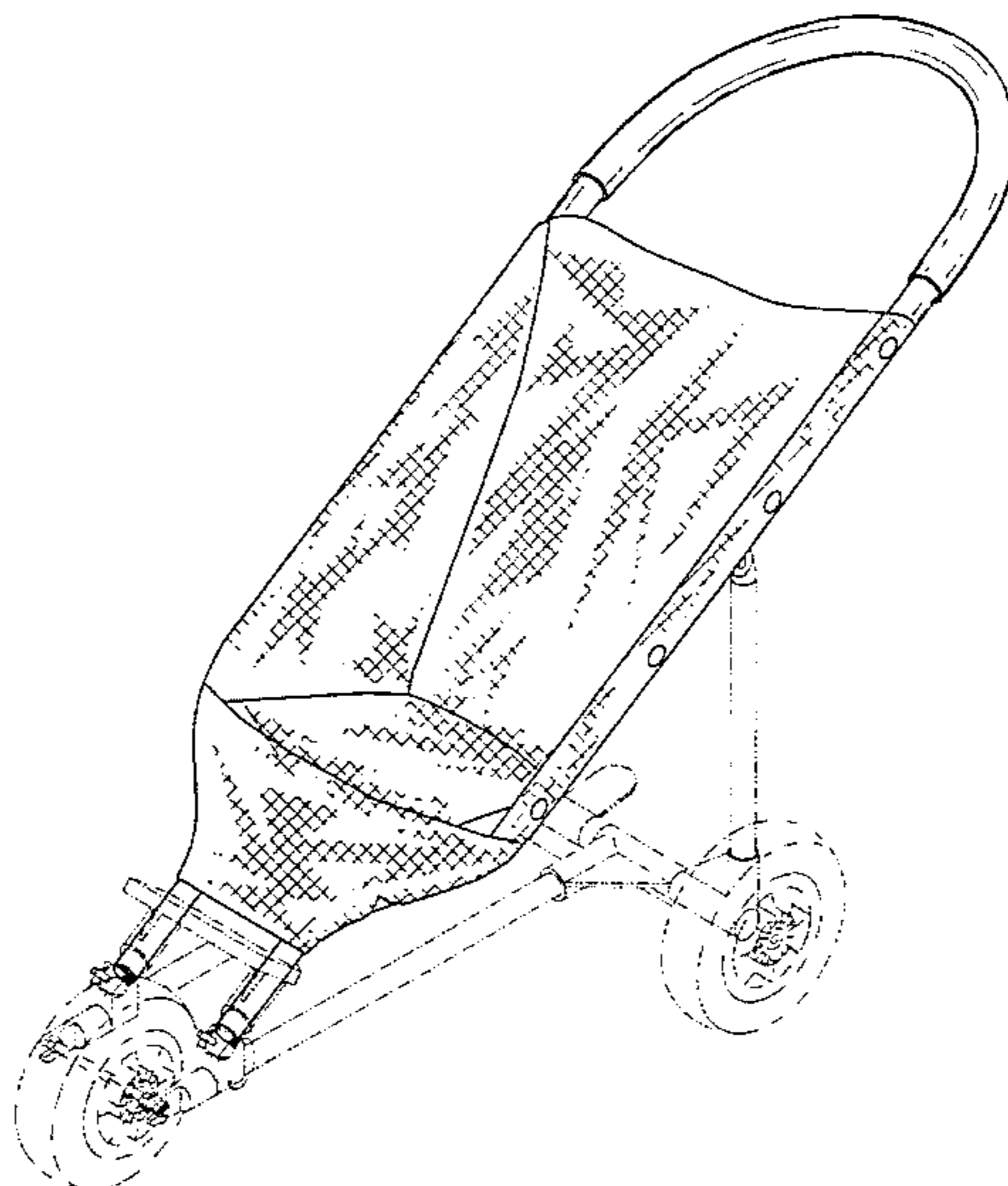
FIG. 2 is a left side elevational view thereof, the right side being identical;

FIG. 3 is a front elevational view thereof;

FIG. 4 is a rear elevational view thereof; and,

FIG. 5 is a bottom plan view thereof.

1 Claim, 2 Drawing Sheets



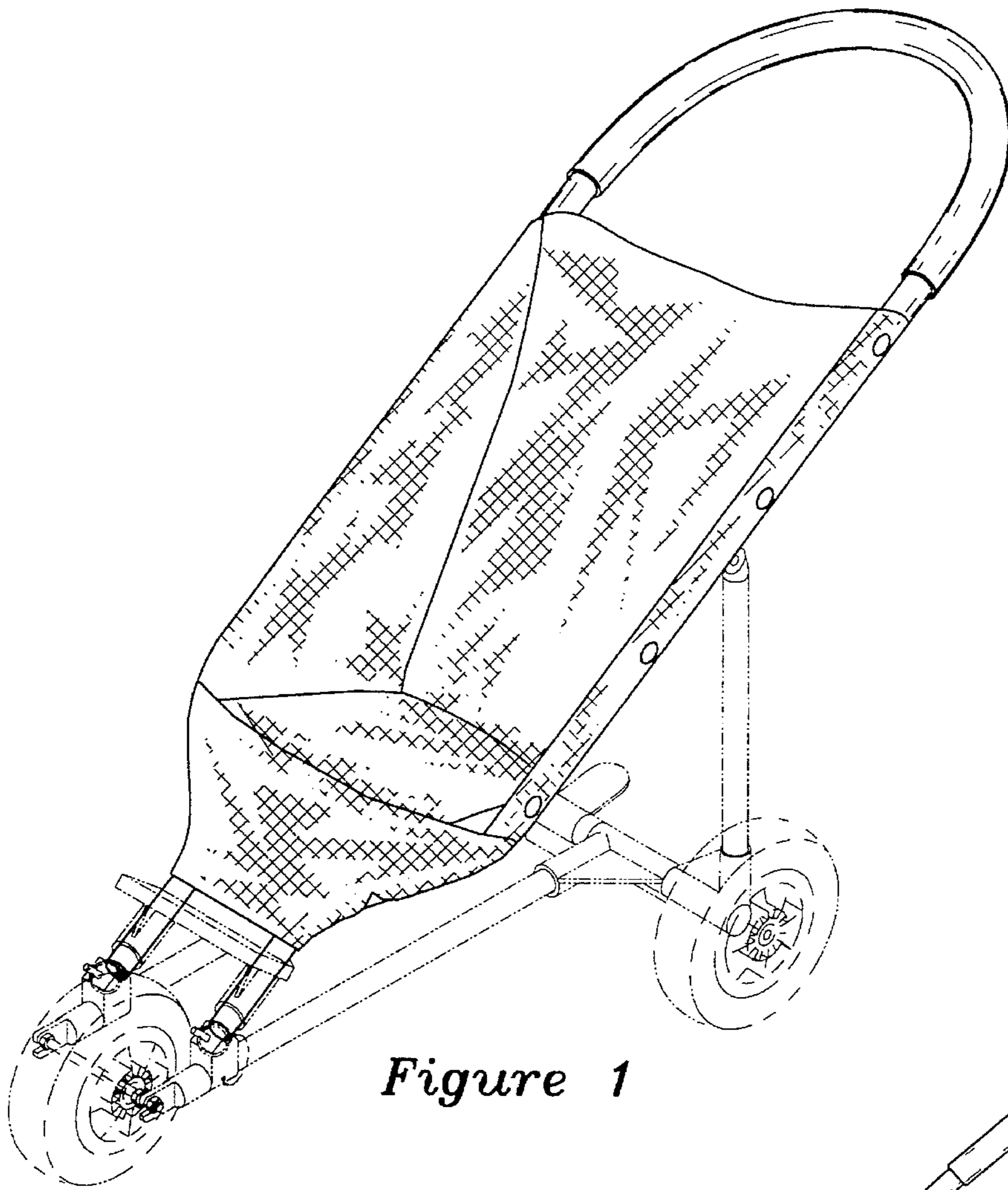


Figure 1

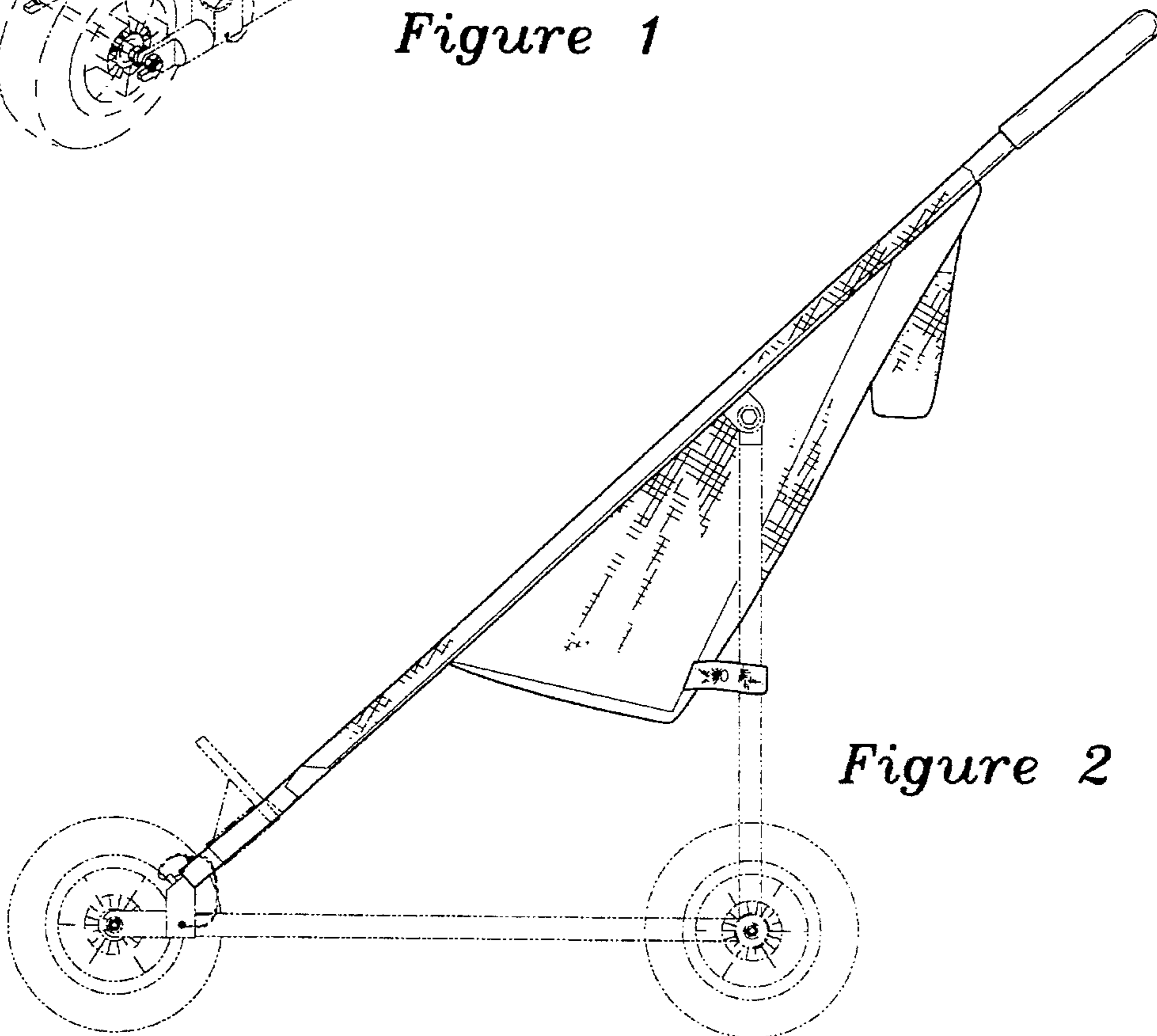


Figure 2

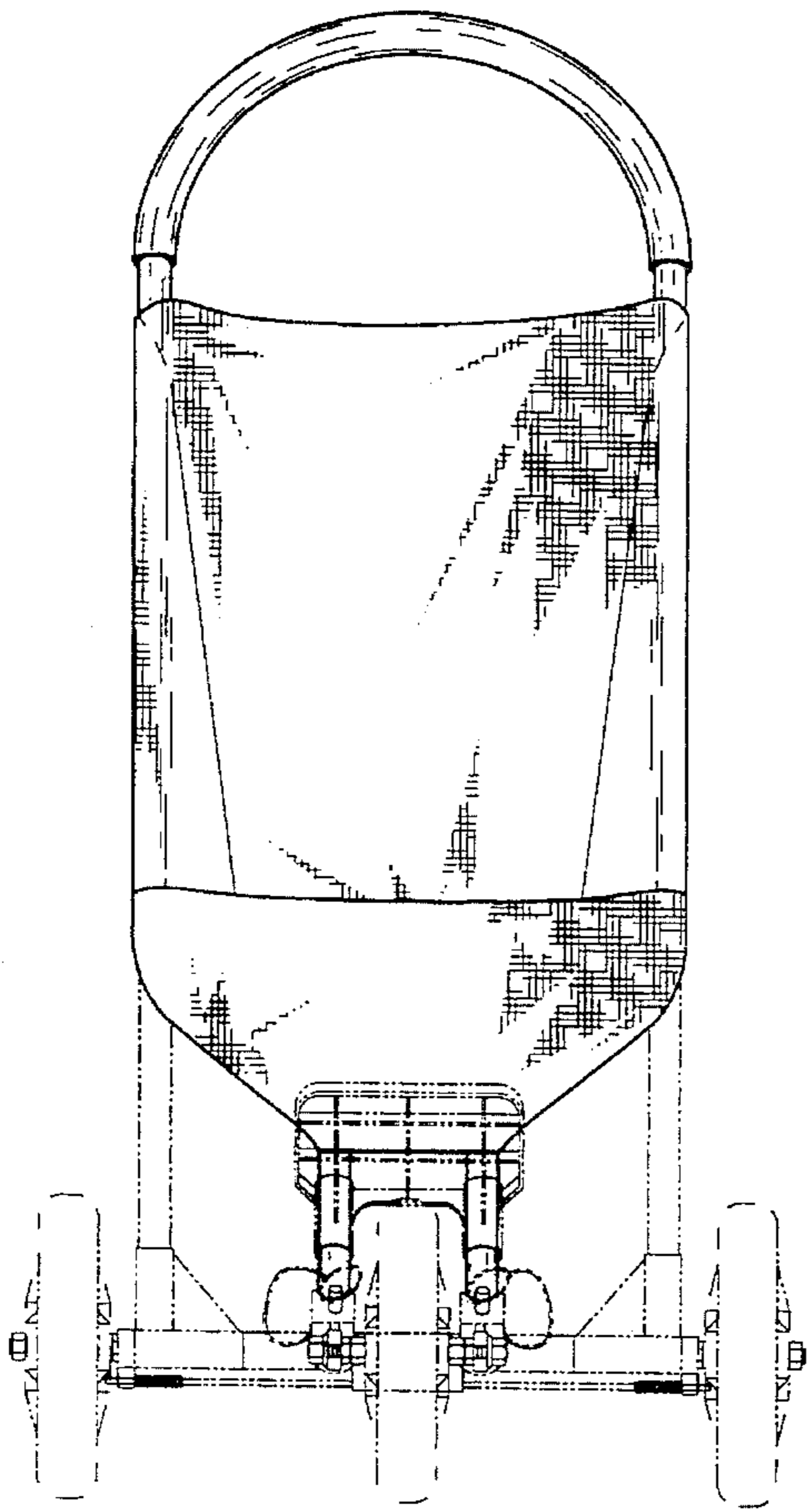


Figure 3

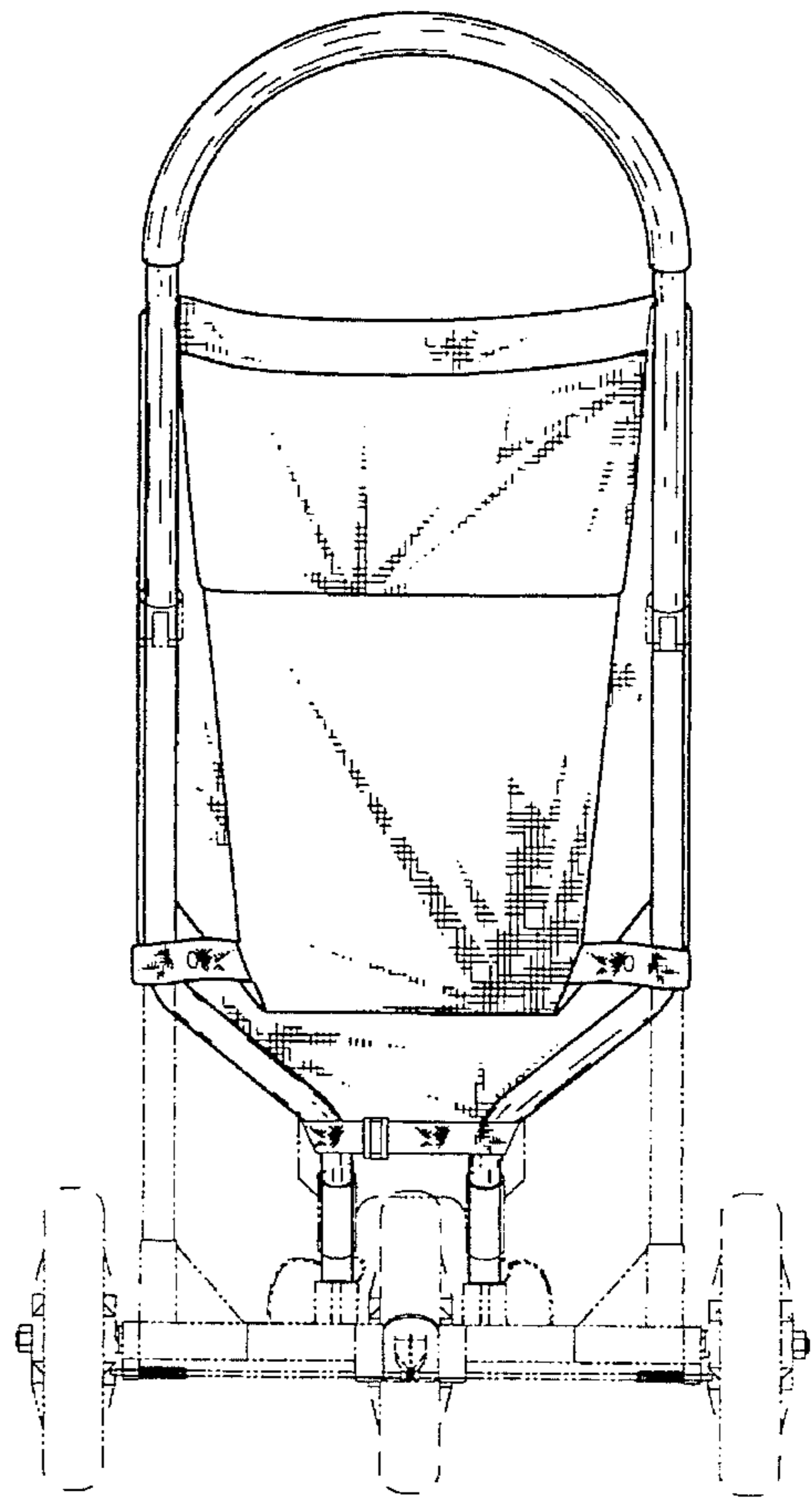


Figure 4

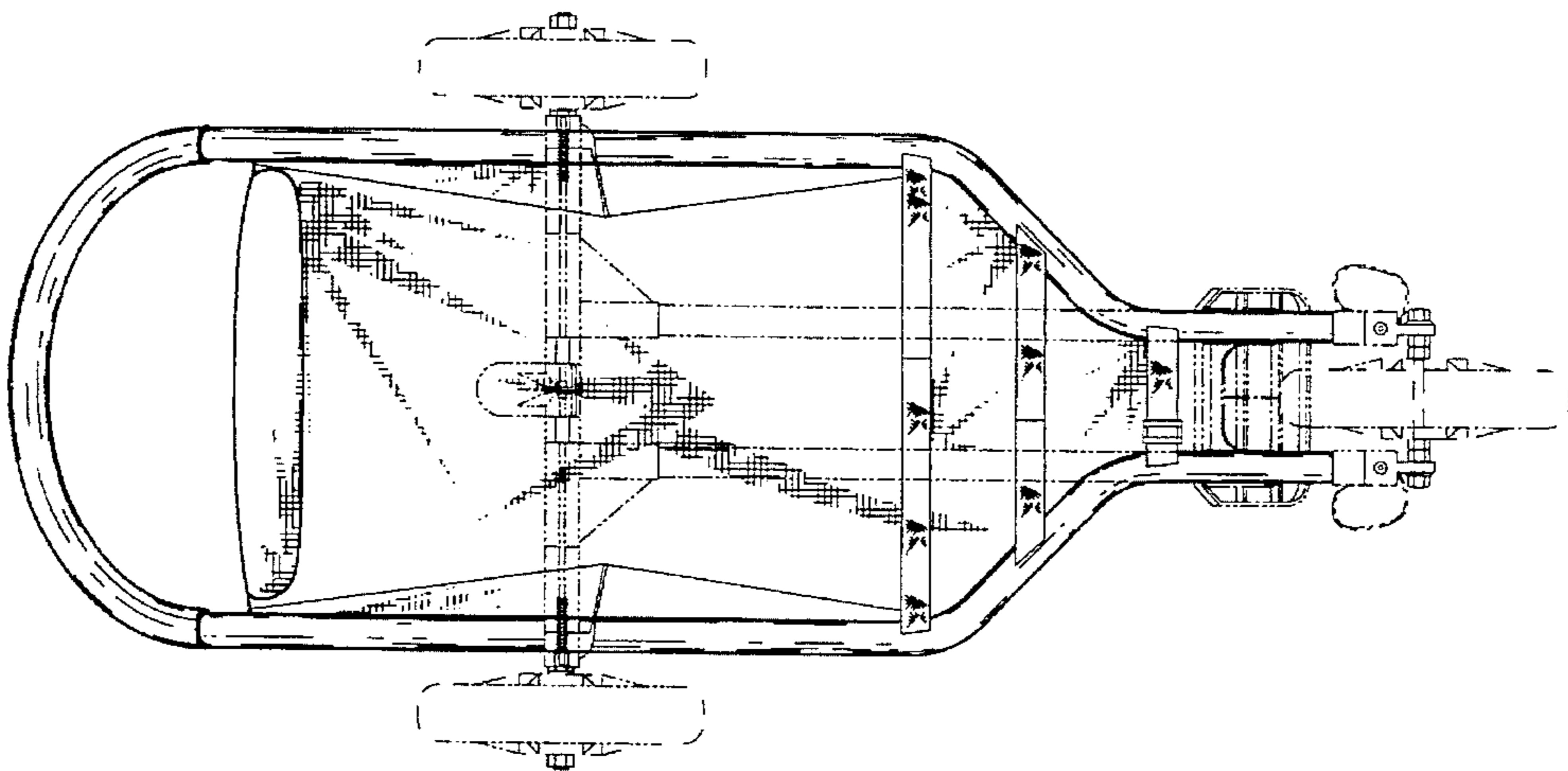


Figure 5