



US00D369984S

United States Patent [19]

[11] Patent Number: **Des. 369,984**

Larsen

[45] Date of Patent: ****May 21, 1996**

[54] **APPARATUS FOR DISCRIMINATING AND COUNTING DOCUMENTS**

5,394,992 3/1995 Winkler 209/534 X
5,402,895 4/1995 Mikkelsen et al. 209/534

[75] Inventor: **Duke Larsen**, Lake Geneva, Wis.

Primary Examiner—Antoine Duval Davis
Attorney, Agent, or Firm—Arnold, White & Durkee

[73] Assignee: **Cummins-Allison Corp.**, Mt. Prospect, Ill.

[57] **CLAIM**

[**] Term: **14 Years**

The ornamental design for an apparatus for discriminating and counting documents, as shown and described.

[21] Appl. No.: **30,855**

DESCRIPTION

[22] Filed: **Nov. 10, 1994**

[52] U.S. Cl. **D10/97**

[58] **Field of Search** D10/97; D18/46, D18/47; 209/534, 541, 551; 235/449; 250/556; 271/3.1, 66, 186, 187, 288, 303, 315; 356/71; 377/8; 382/7, 34, 45, 46, 64; 902/7, 17

FIG. 1 is a front perspective view of the apparatus for discriminating and counting documents showing our new design;

FIG. 2 is a front elevational view;

FIG. 3 is a top plan view;

FIG. 4 is an end elevational view;

FIG. 5 is an end elevational view;

FIG. 6 is a rear elevational view; and,

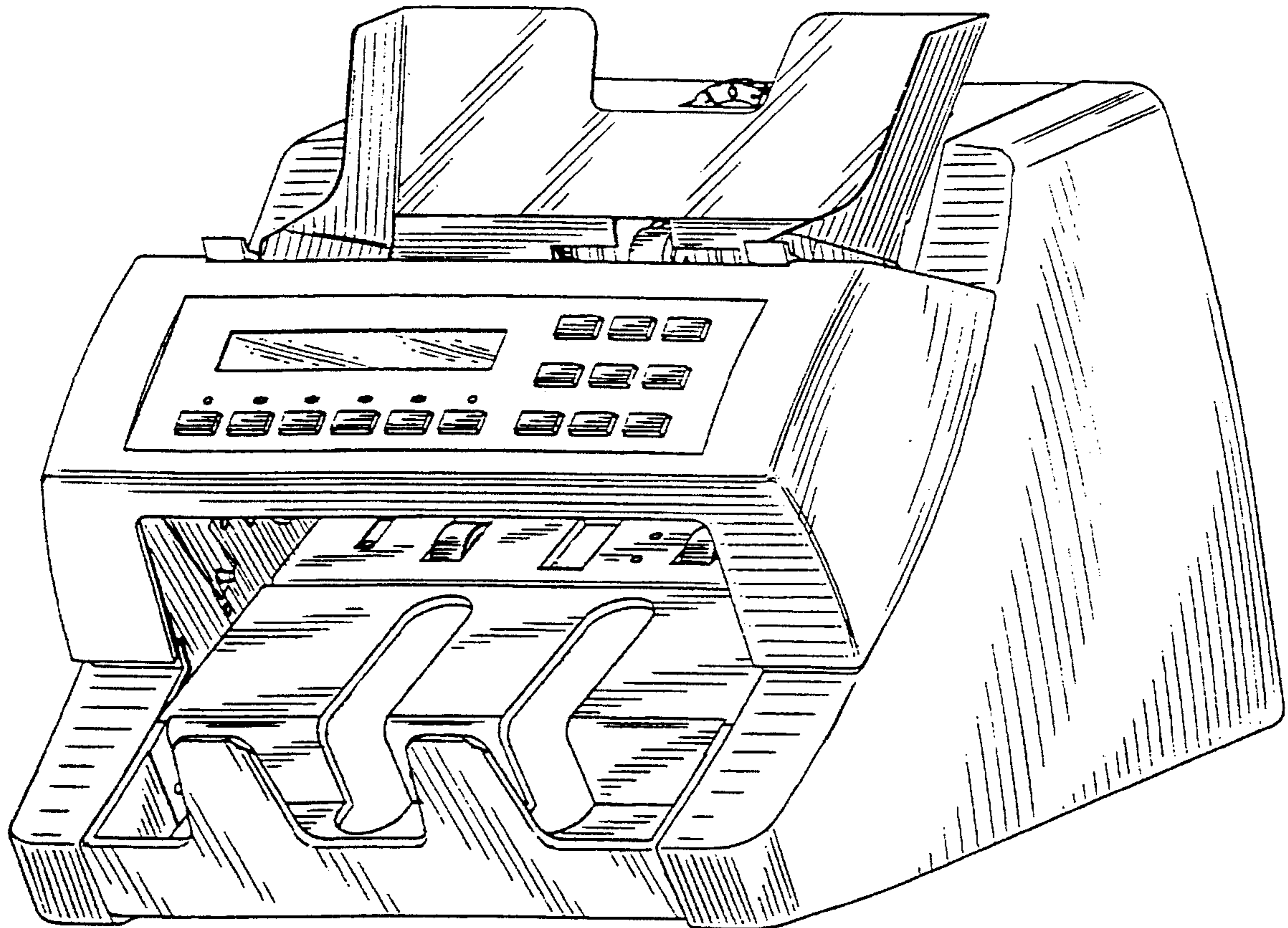
FIG. 7 is a bottom plan view thereof.

[56] **References Cited**

U.S. PATENT DOCUMENTS

D. 278,831 5/1985 Bressler et al. D10/97 X
D. 319,055 8/1991 Feger et al. D18/47 X

1 Claim, 7 Drawing Sheets



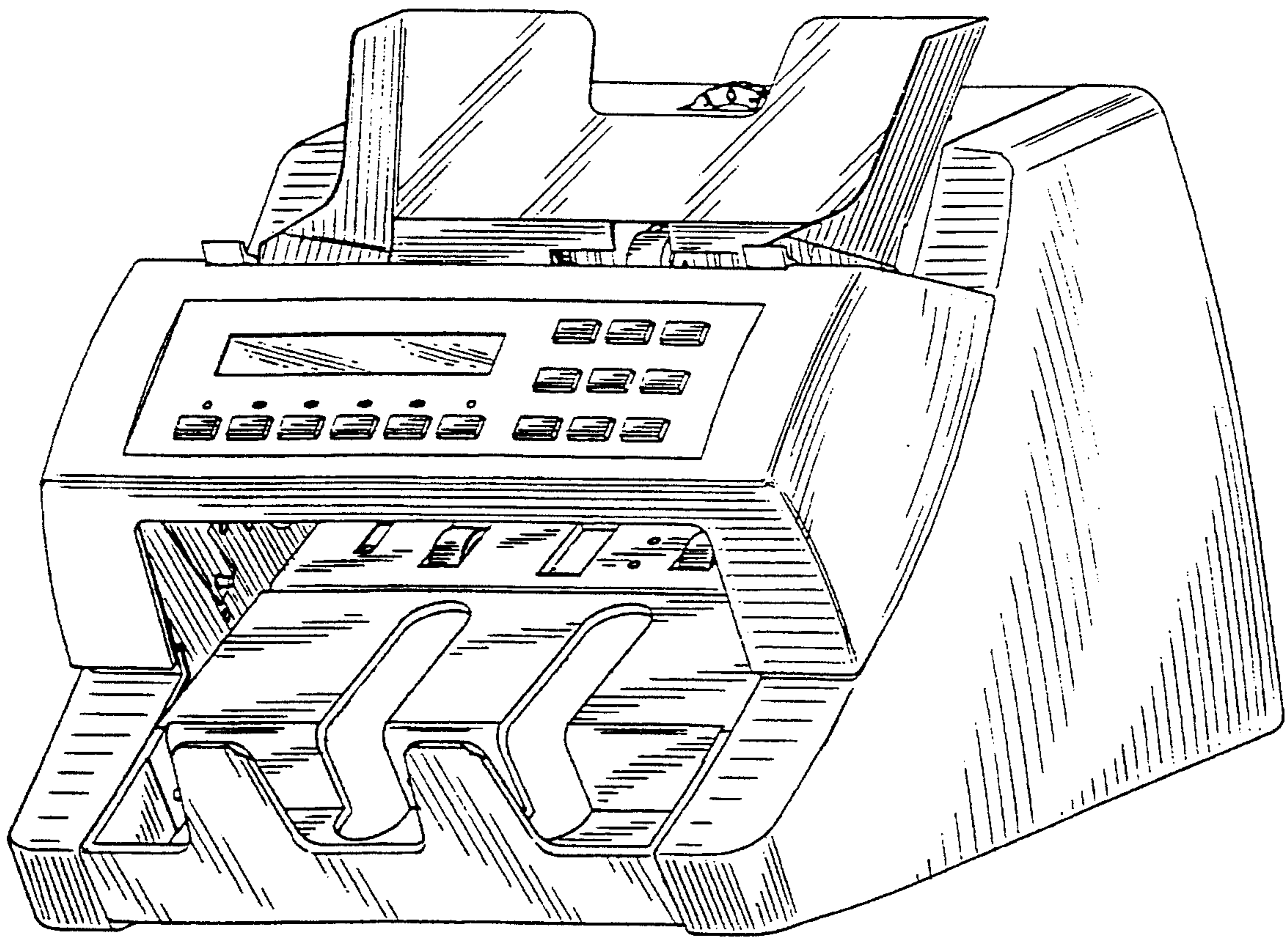


FIG. 1

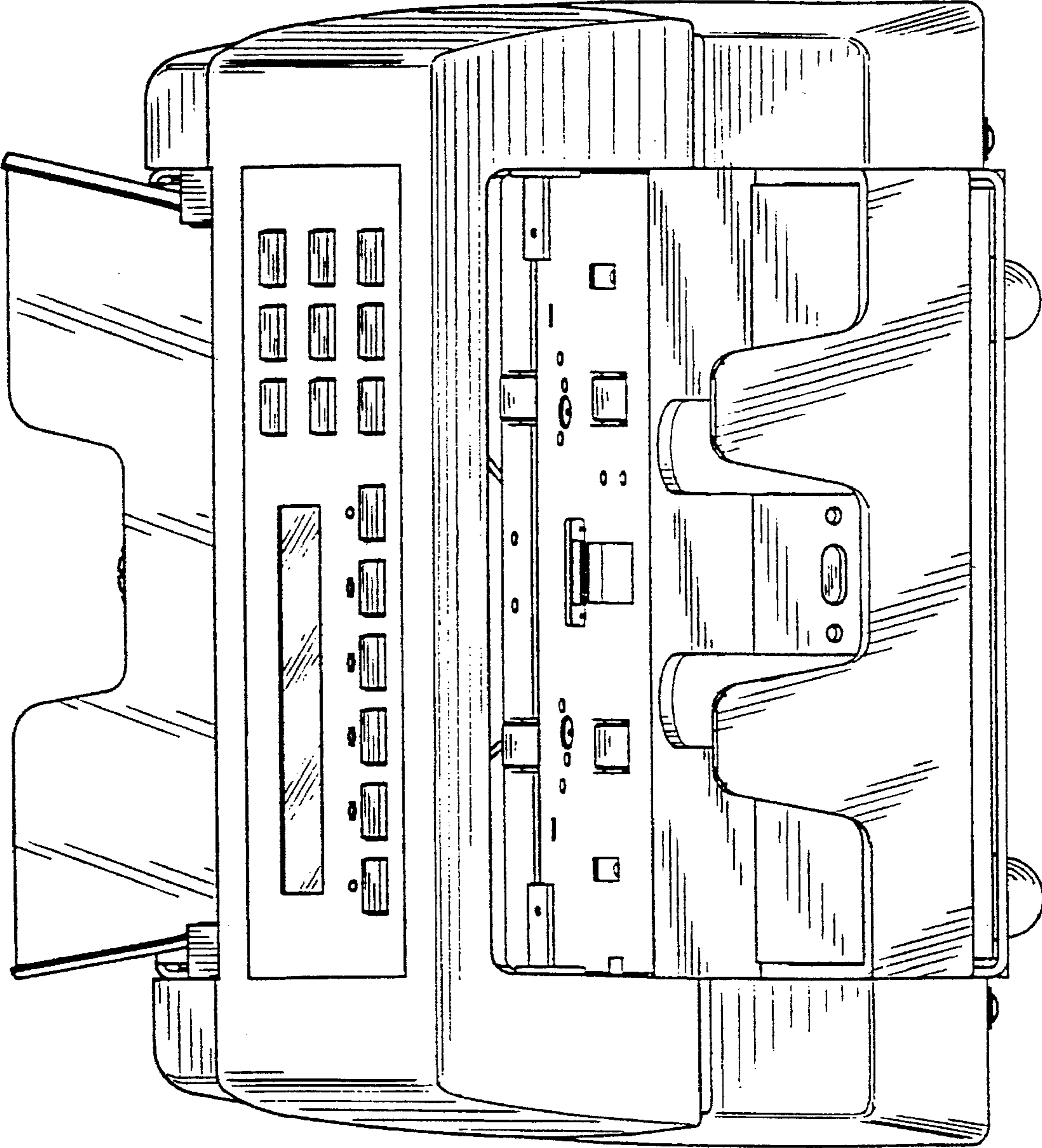
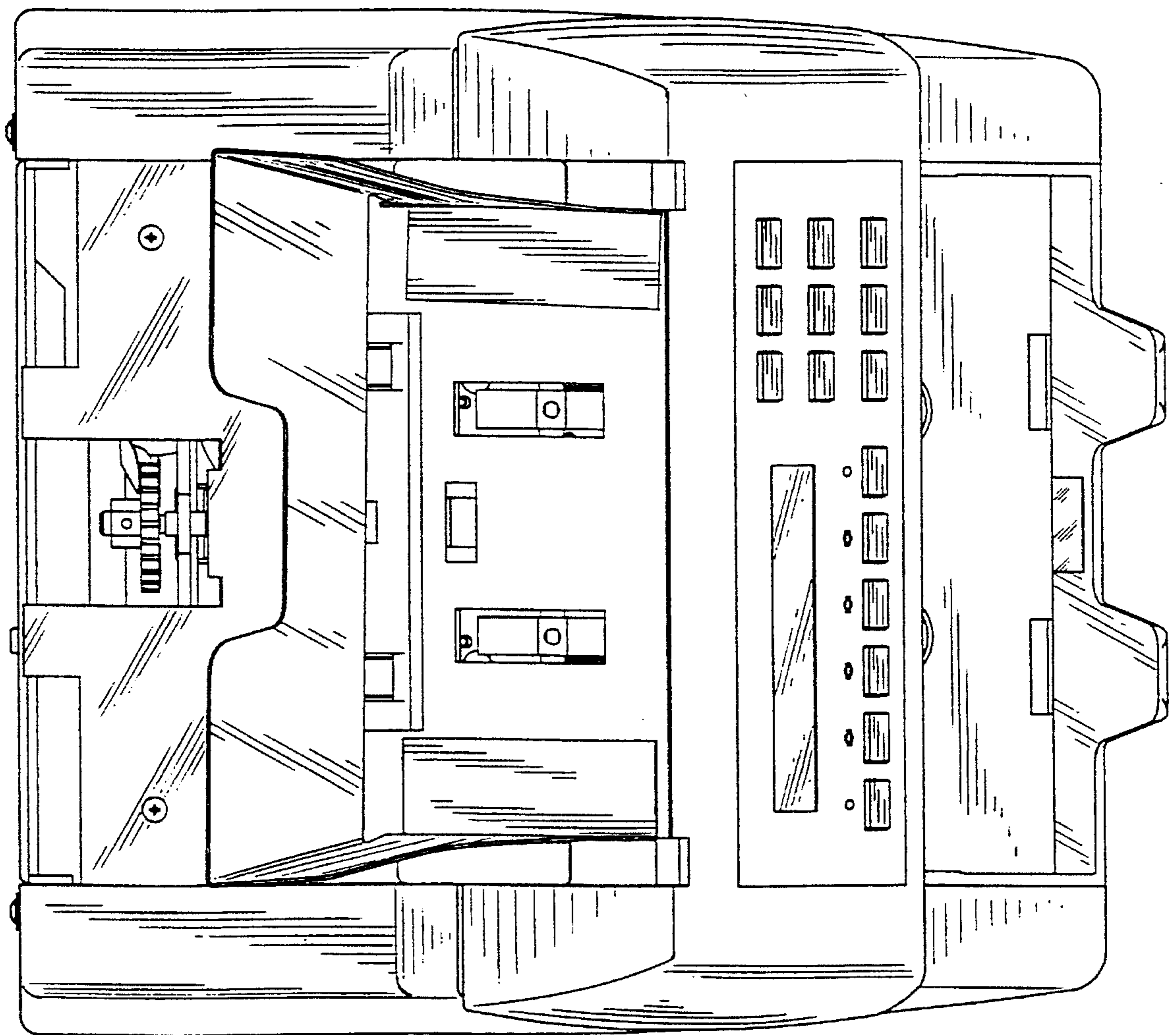


FIG. 2

FIG. 3



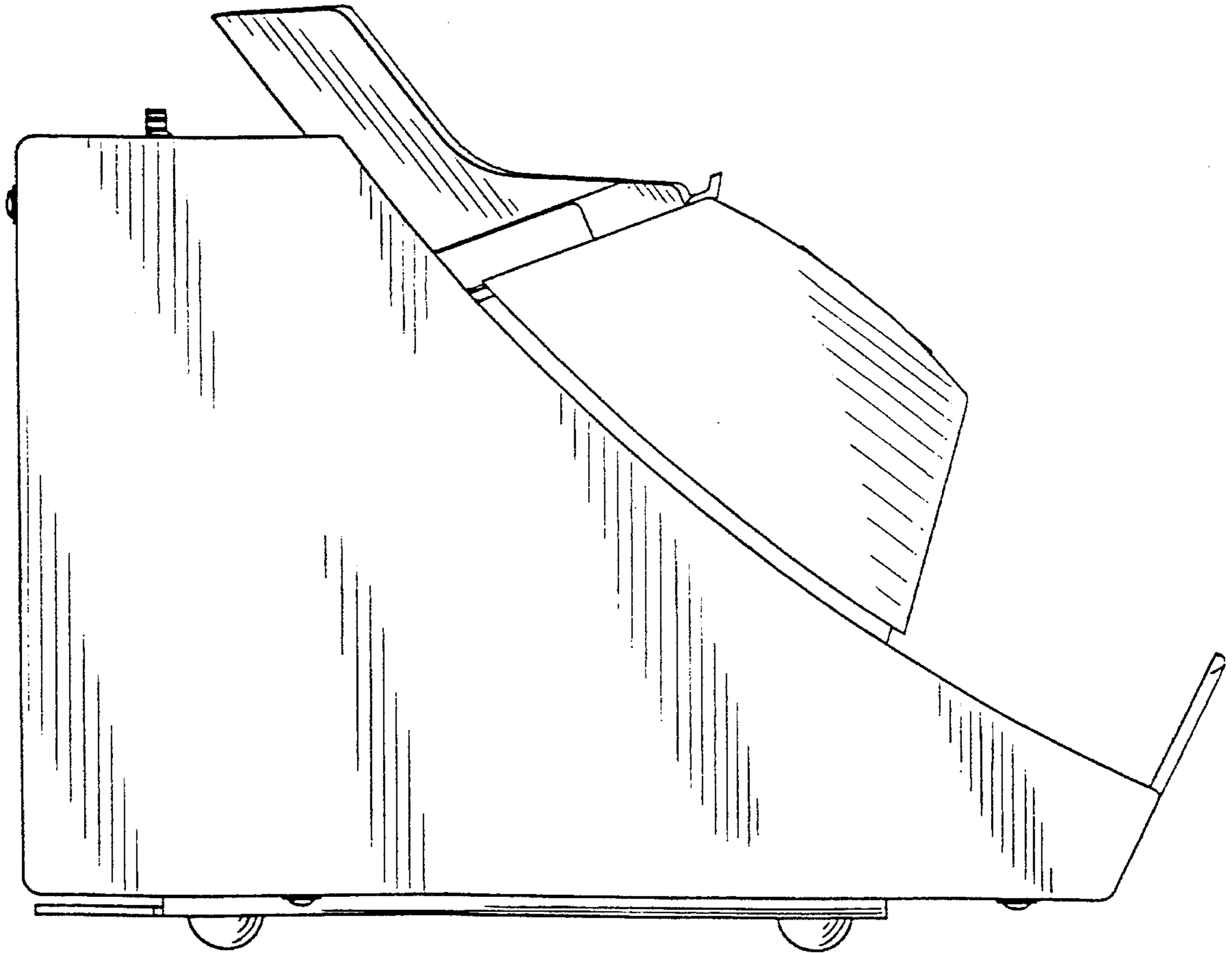


FIG. 4

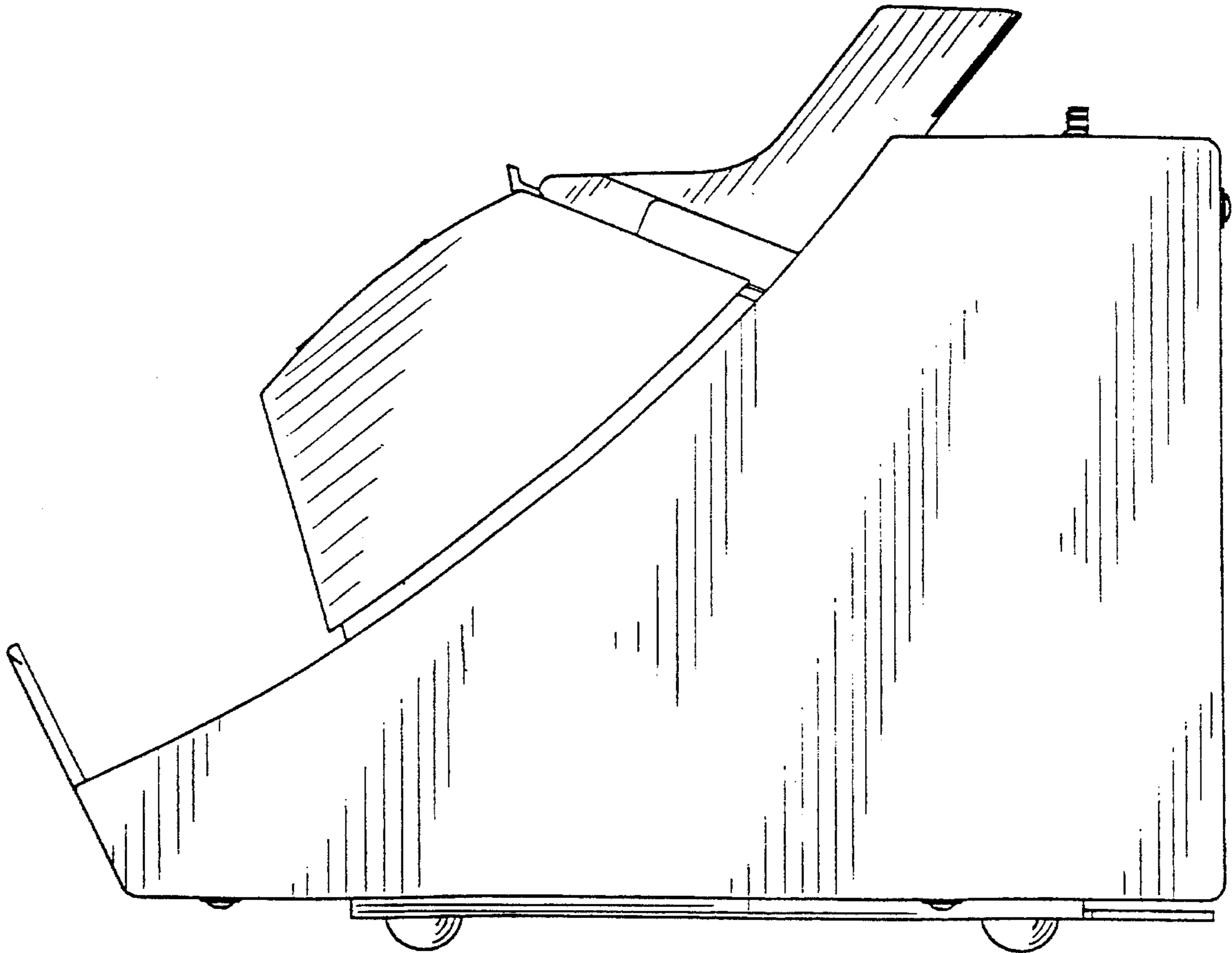


FIG. 5

FIG. 6

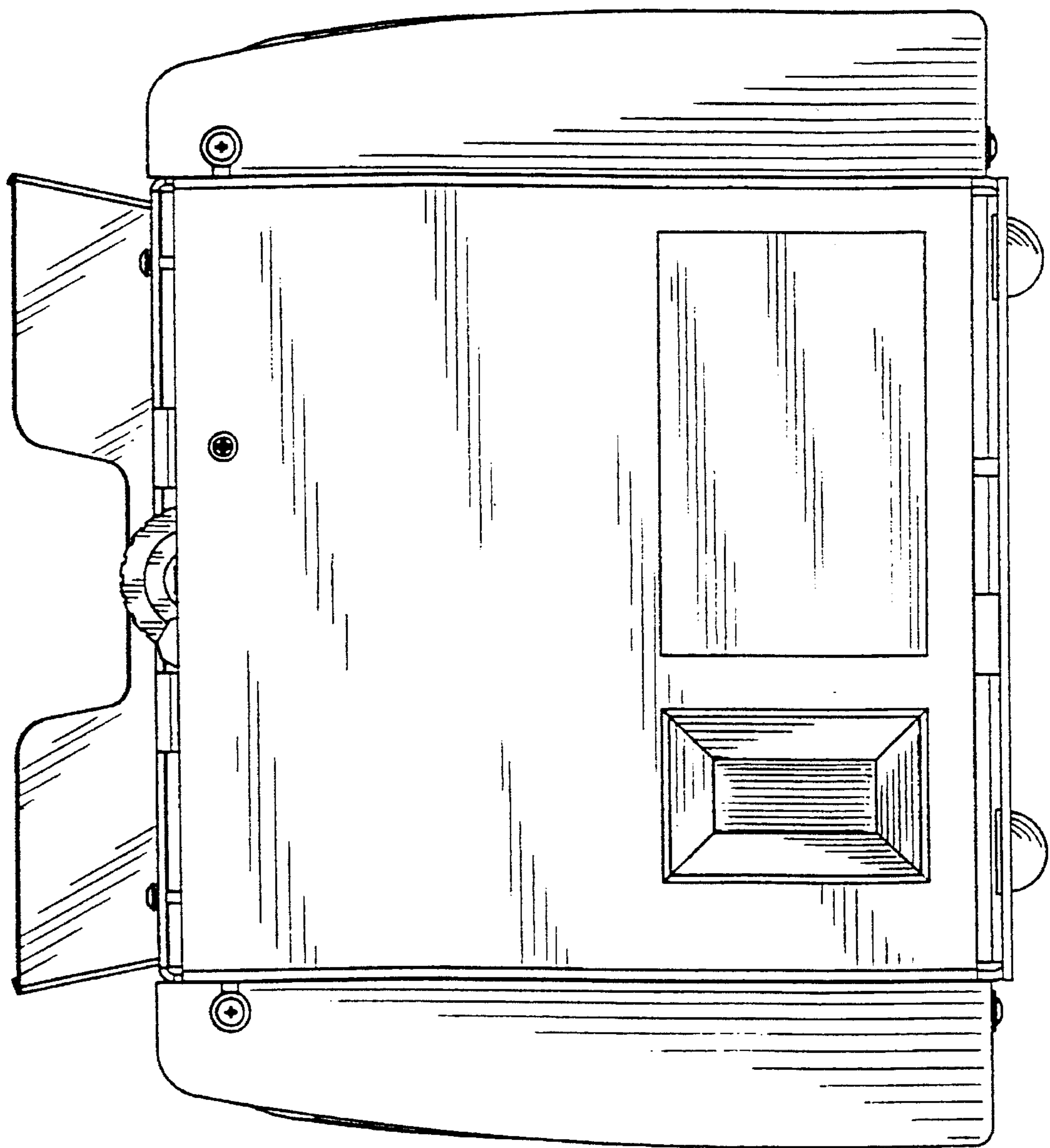


FIG. 7

