



US00D369983S

United States Patent [19]

Fisher et al.

[11] Patent Number: **Des. 369,983**

[45] Date of Patent: ****May 21, 1996**

[54] **CAPACITIVE ELECTRONIC SENSOR HEAD**

4,952,882 8/1990 Mayer et al. 324/671 XZ

[75] Inventors: **Thomas Fisher**, Independence; **Victor Verbitsky**, Mayfield Heights, both of Ohio

Primary Examiner—Antoine Duval Davis
Attorney, Agent, or Firm—Donald A. Bergquist

[73] Assignee: **Hickok Incorporated**, Cleveland, Ohio

[57] **CLAIM**

[**] Term: **14 Years**

The ornamental design for a capacitive electronic sensor head, as shown and described.

[21] Appl. No.: **40,156**

DESCRIPTION

[22] Filed: **Jun. 12, 1995**

[52] U.S. Cl. **D10/80**; D10/78

[58] Field of Search D10/78, 80; 324/670, 324/662, 671, 690, 685, 687, 688; 361/280

FIG. 1 is a perspective view of the capacitive electronic sensor head of this invention;
FIG. 2 is a front view thereof;
FIG. 3 is a back view thereof;
FIG. 4 is a left side view thereof, the right side view being a mirror-image of the left side view;
FIG. 5 is a top view thereof; and,
FIG. 6 is a bottom view thereof.

[56] **References Cited**

U.S. PATENT DOCUMENTS

D. 344,464 2/1994 Kerschner et al. D10/80

1 Claim, 2 Drawing Sheets

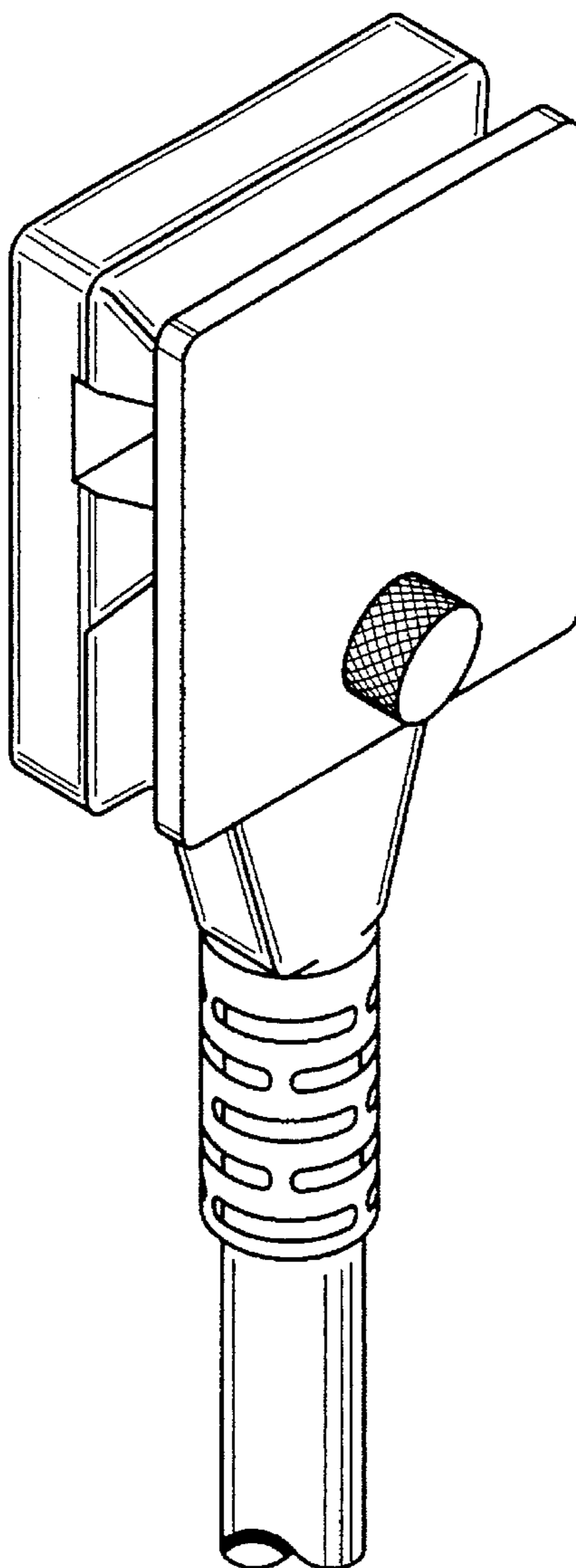


Fig. 1

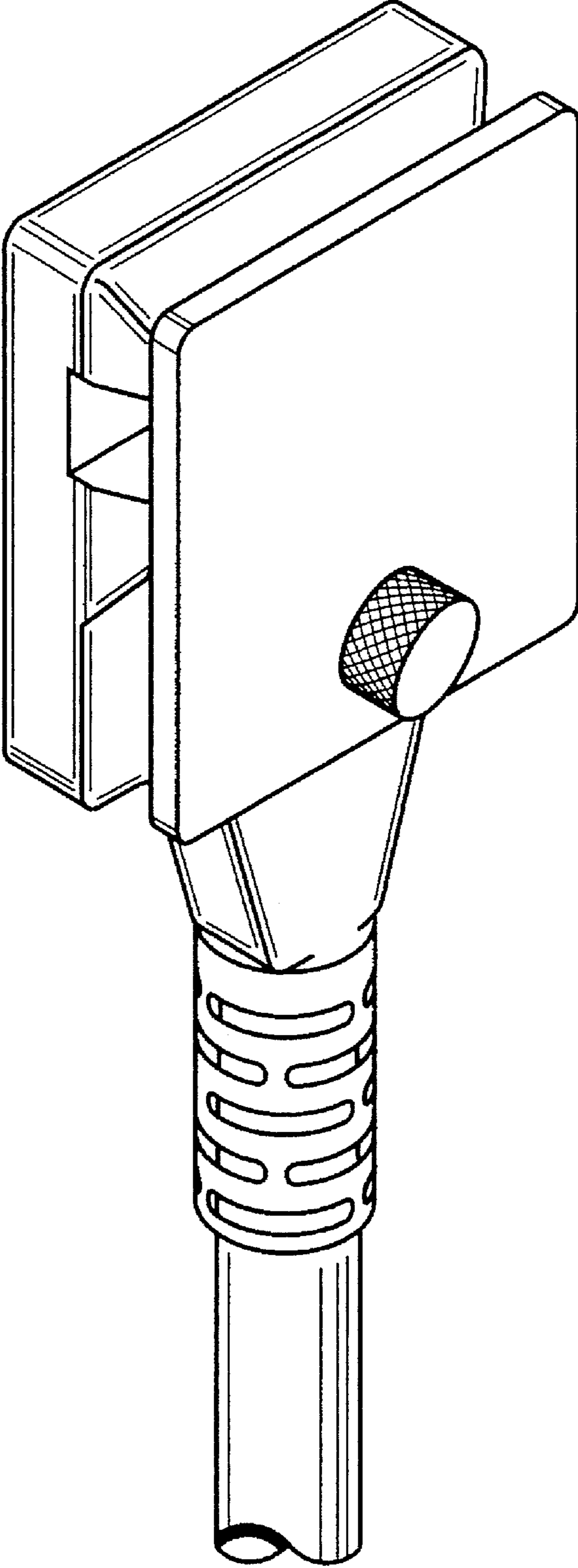


Fig. 5

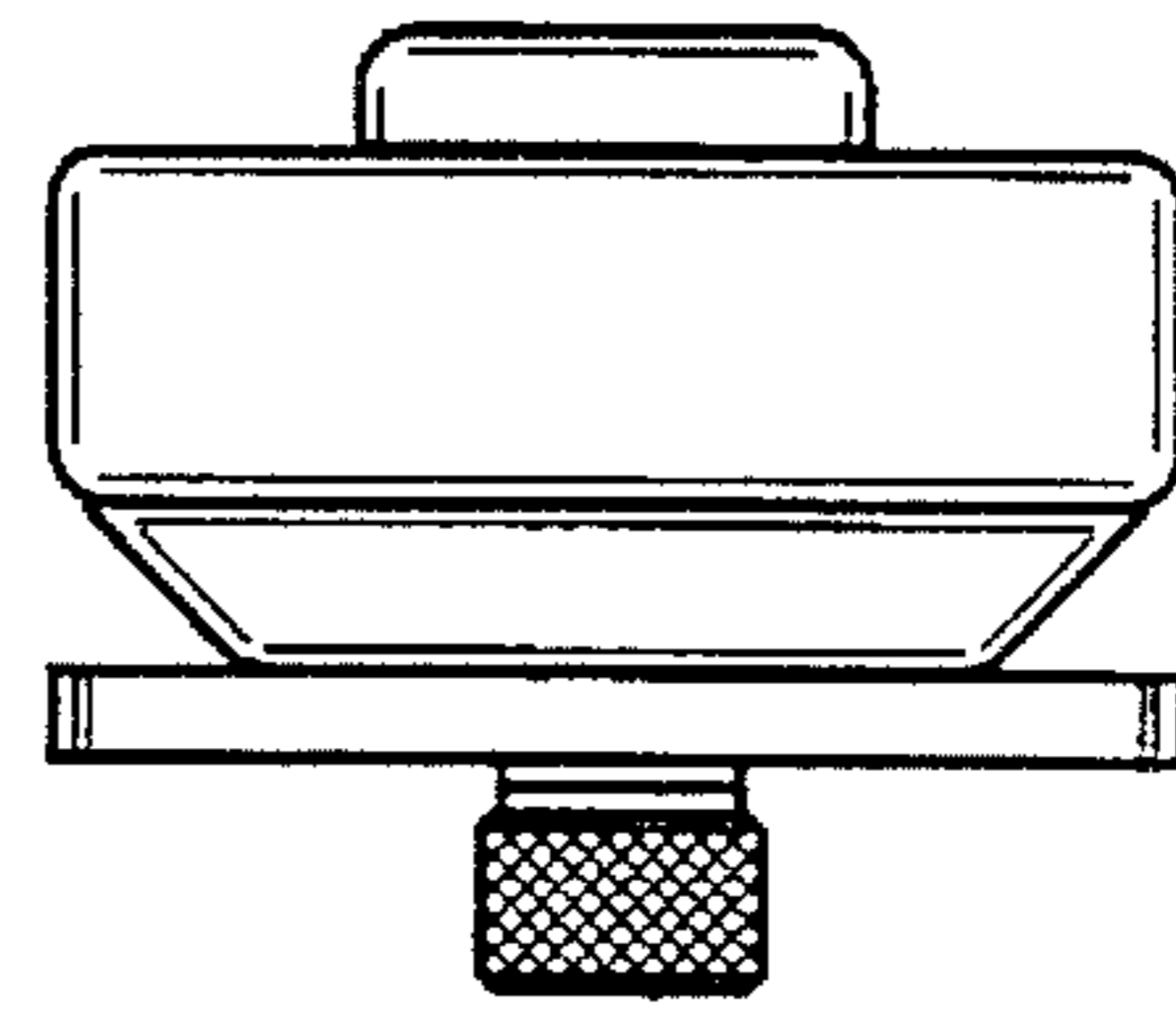


Fig. 3

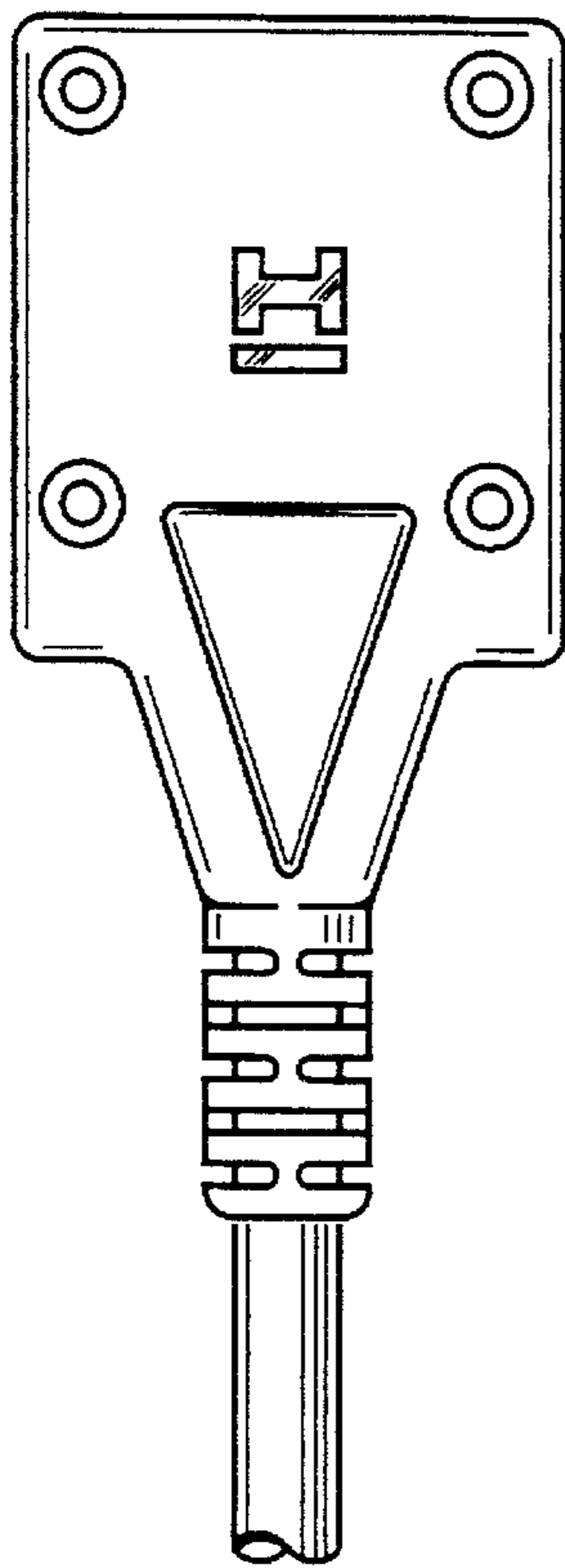


Fig. 4

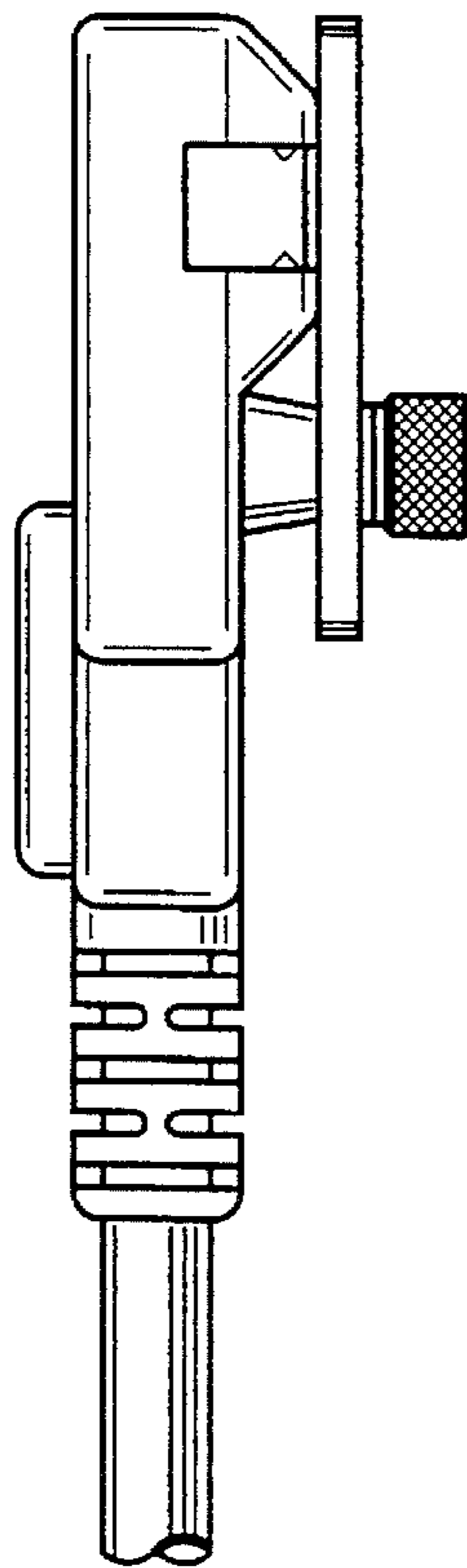


Fig. 2

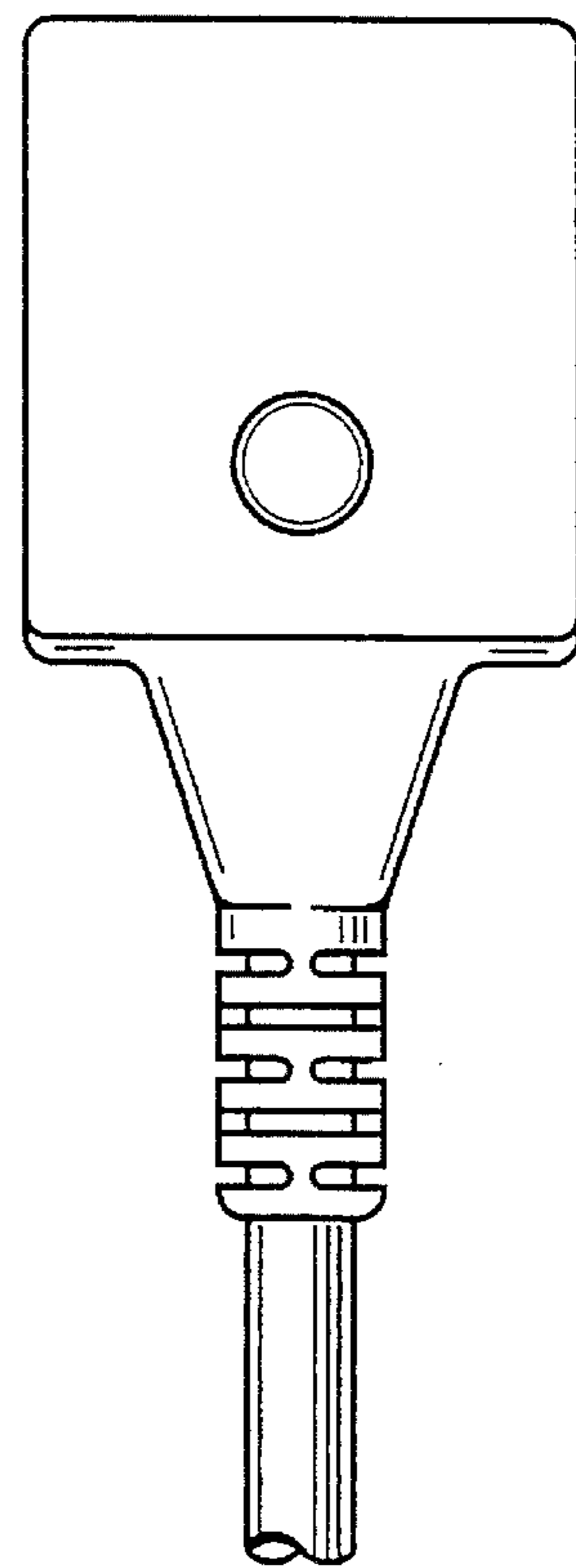


Fig. 6

