



US00D369982S

United States Patent [19] Chang

[11] Patent Number: **Des. 369,982**

[45] Date of Patent: ****May 21, 1996**

[54] **COMPASS**

4,700,490 10/1987 Kramer et al. 33/355 R

[76] Inventor: **Gin-Sung Chang**, No. 6-13, Shu-I-Liu Lane, Shu-I Li, Nan Dist., Taichung City, Taiwan

Primary Examiner—Antoine Duval Davis
Attorney, Agent, or Firm—Darby & Darby

[**] Term: **14 Years**

[57] **CLAIM**

The ornamental design for a compass, as shown and described.

[21] Appl. No.: **36,075**

DESCRIPTION

[22] Filed: **Mar. 13, 1995**

[52] U.S. Cl. **D10/68**

[58] Field of Search D10/68, 62; 33/355-364

FIG. 1 is a perspective view of a compass showing my new design;

FIG. 2 is a front elevational view thereof;

FIG. 3 is a rear elevational view thereof;

FIG. 4 is a left side elevational view thereof;

FIG. 5 is a right side elevational view thereof;

FIG. 6 is a top plan view thereof; and,

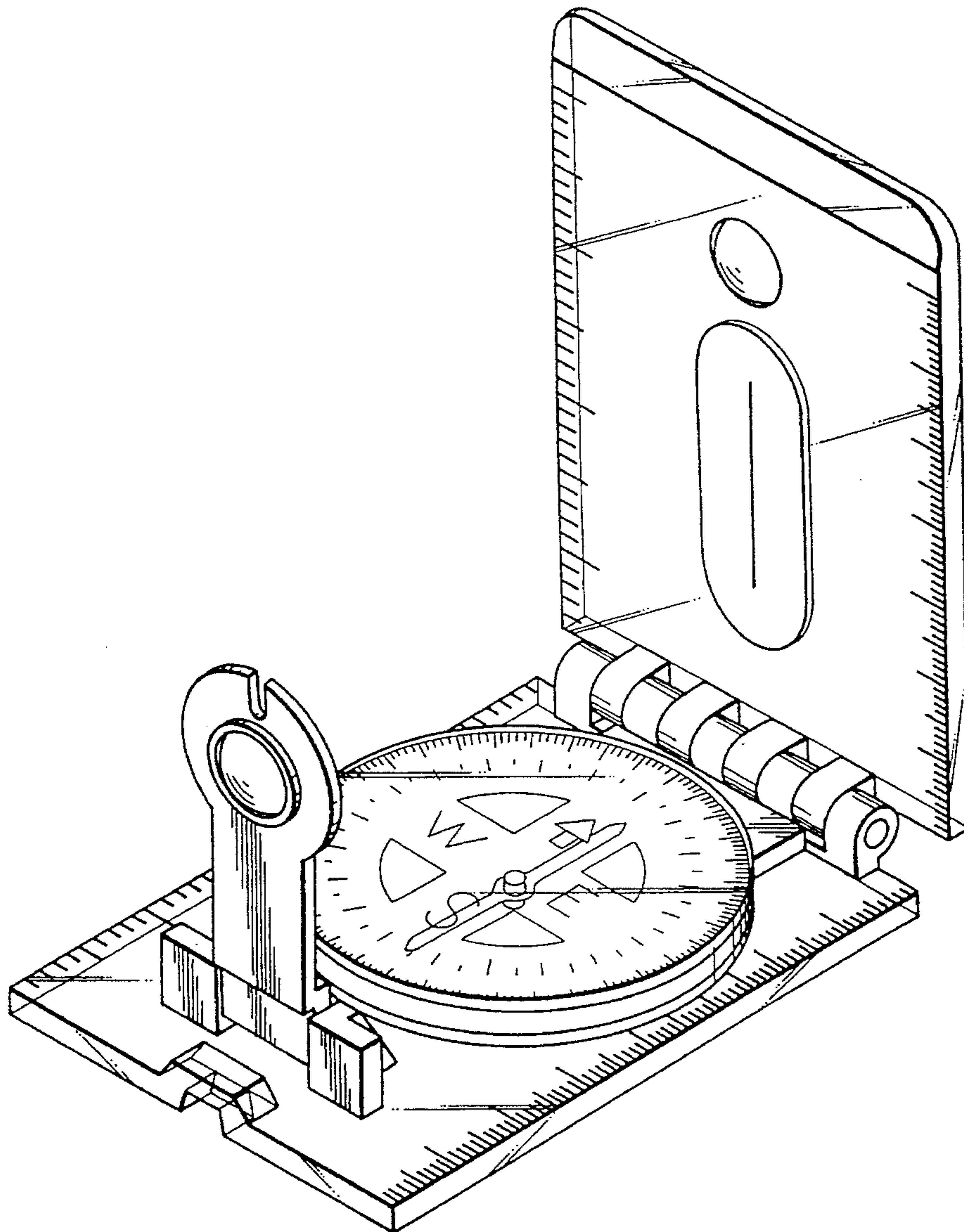
FIG. 7 is a bottom plan view thereof.

[56] **References Cited**

U.S. PATENT DOCUMENTS

D. 242,437	11/1976	Kramer	D10/68
D. 349,066	7/1994	Su	D10/68
3,191,306	6/1965	Kierans	33/355 X
4,438,568	3/1984	Kramer et al.	33/355 R X

1 Claim, 4 Drawing Sheets



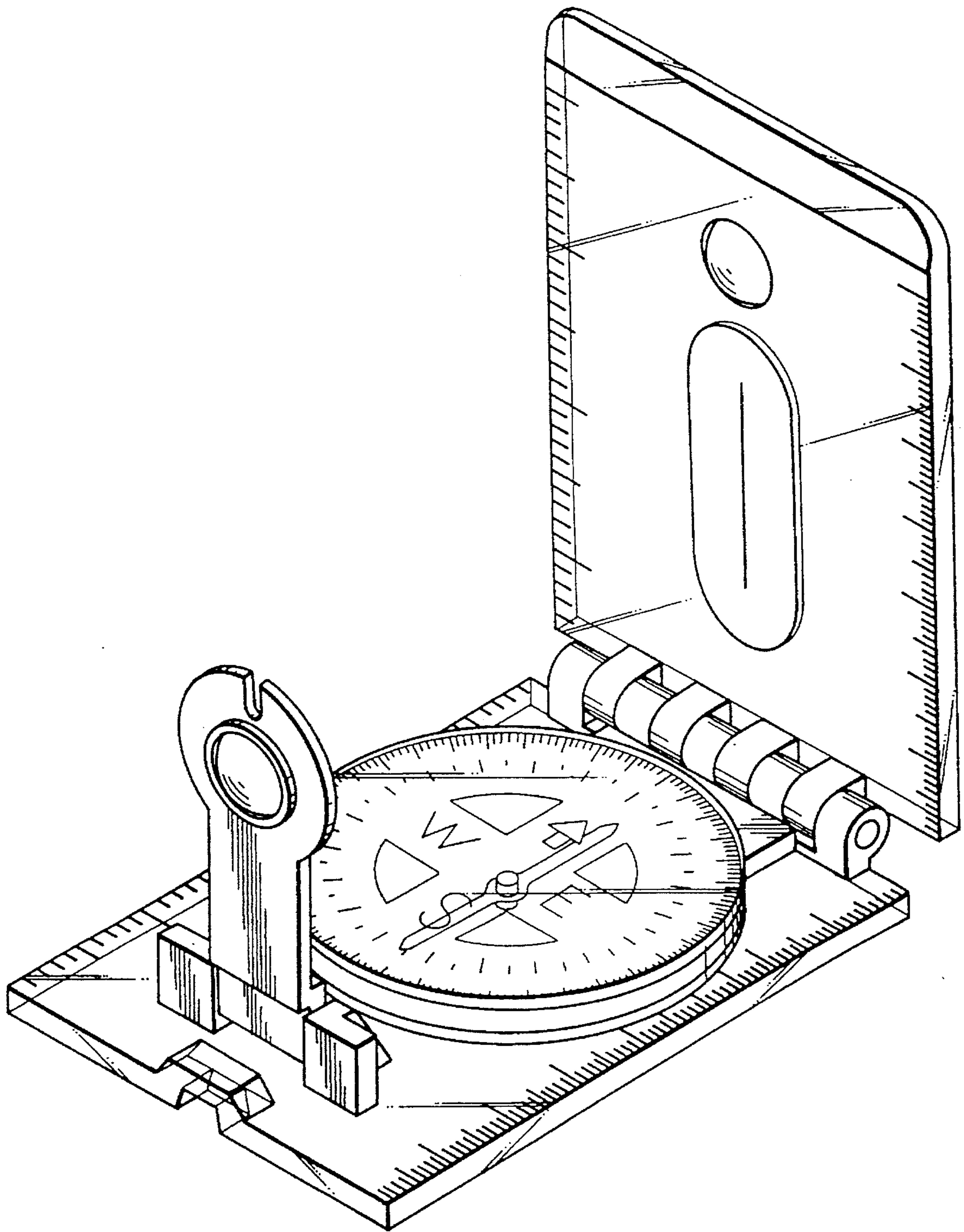


FIG.1

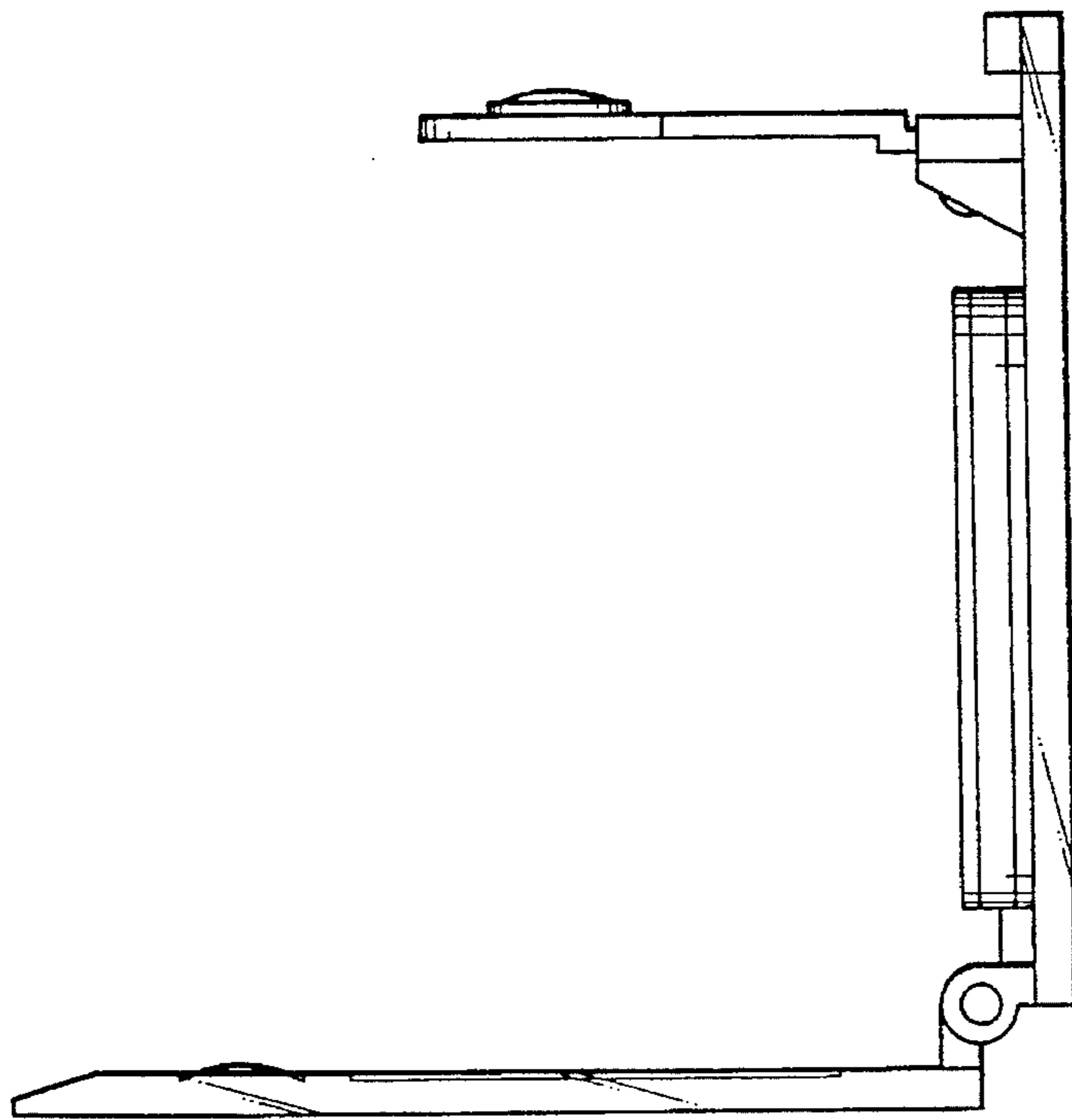


FIG.3

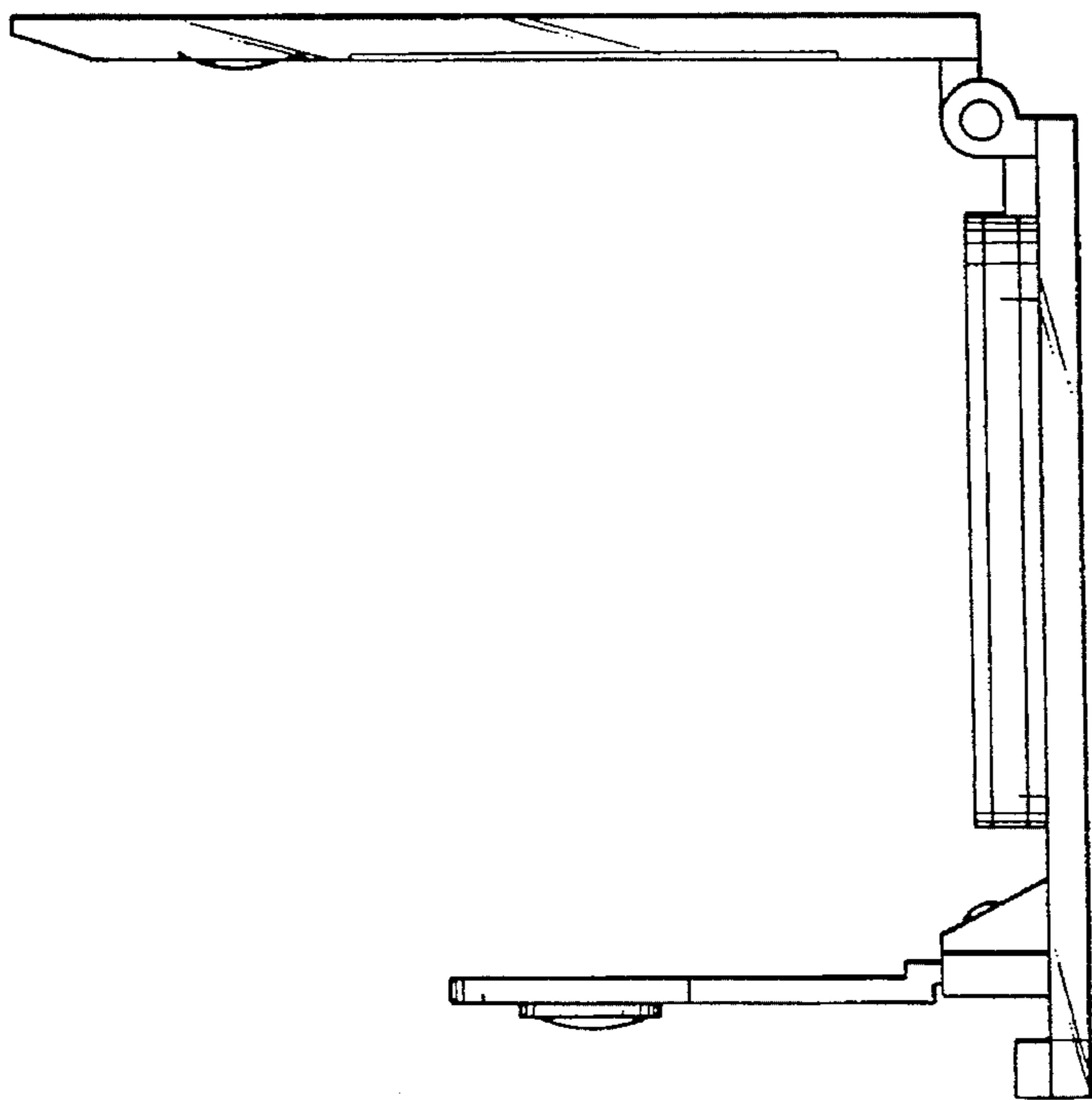


FIG.2

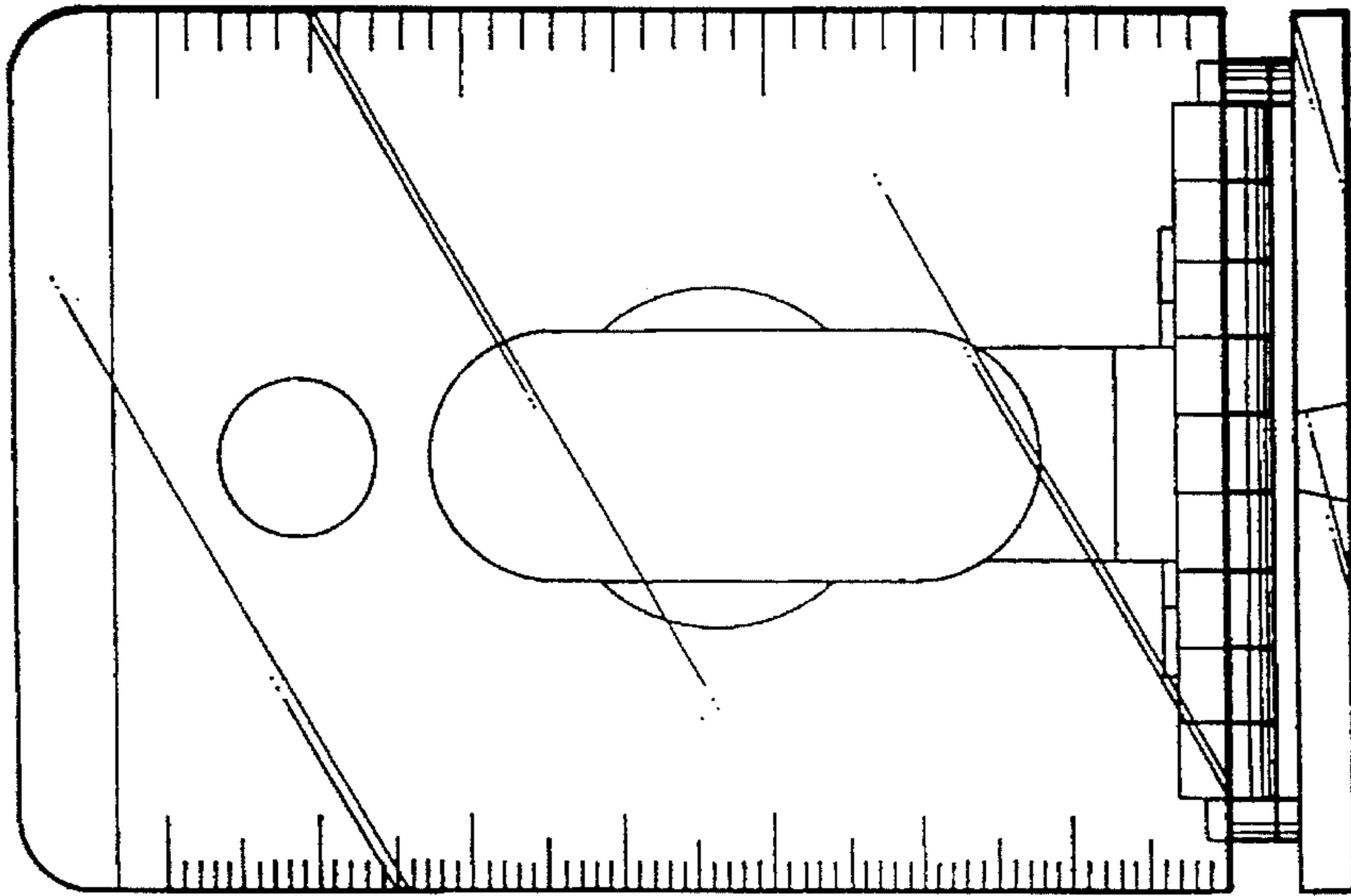


FIG. 4

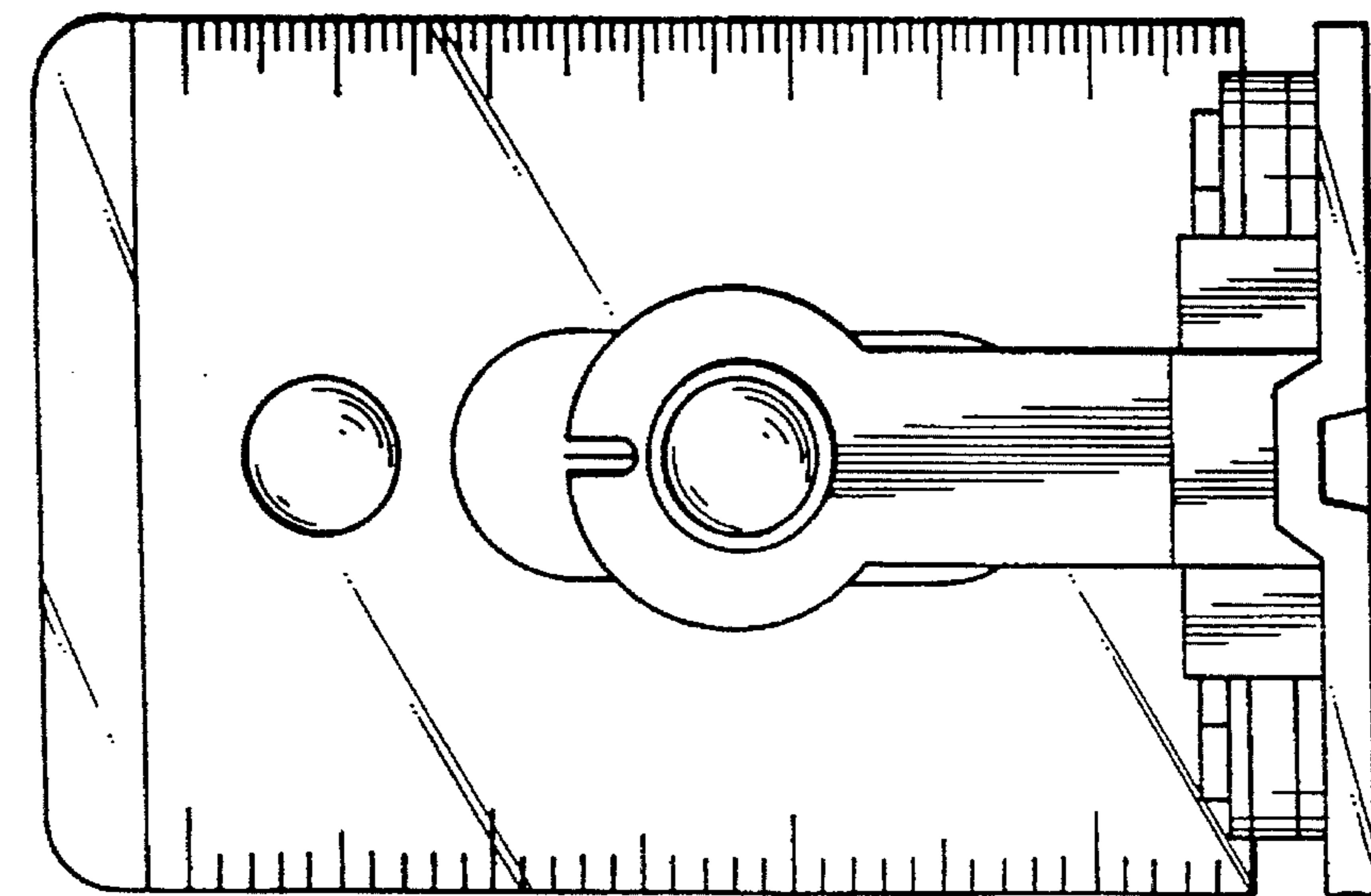


FIG. 5

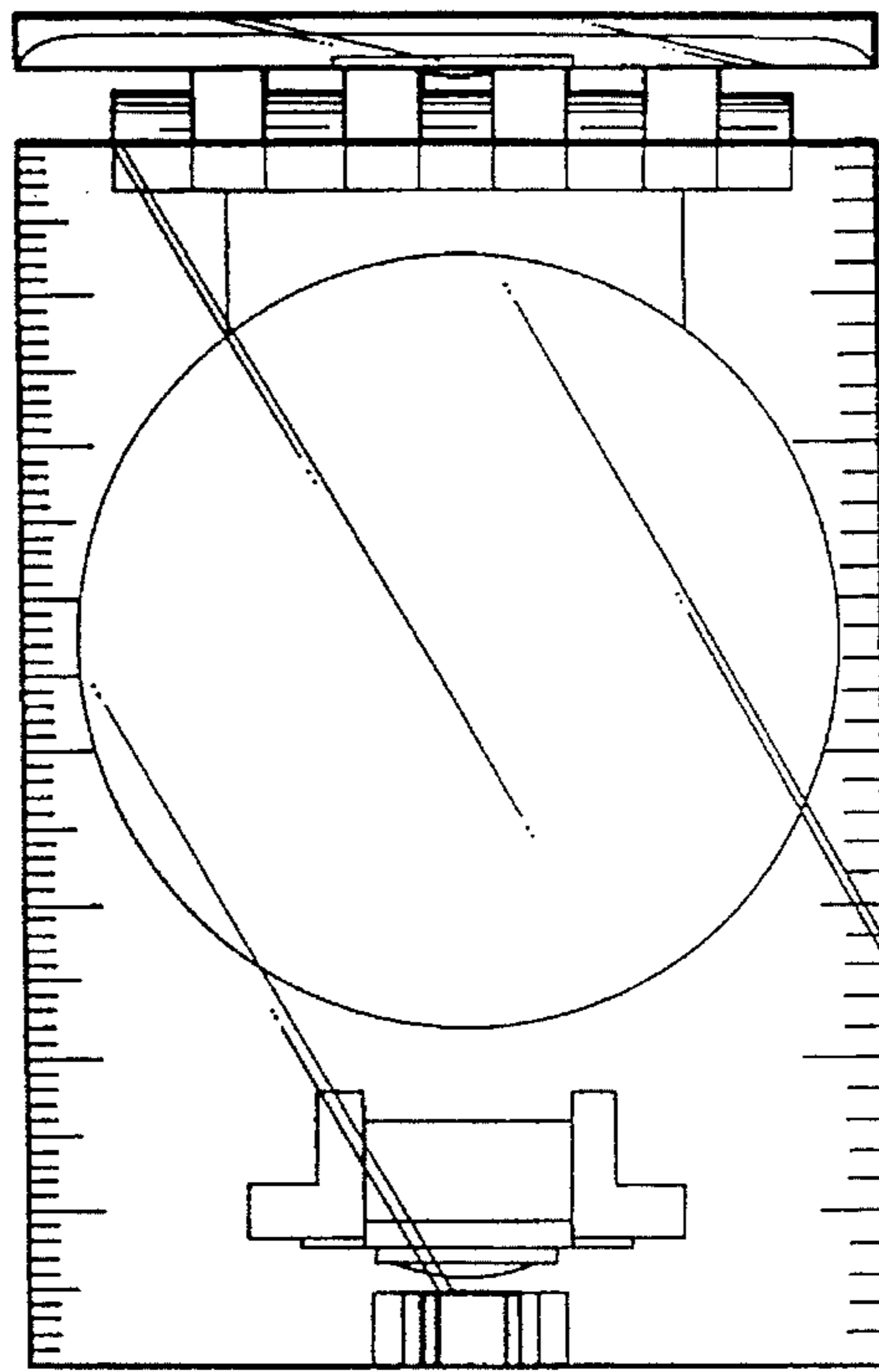


FIG.7

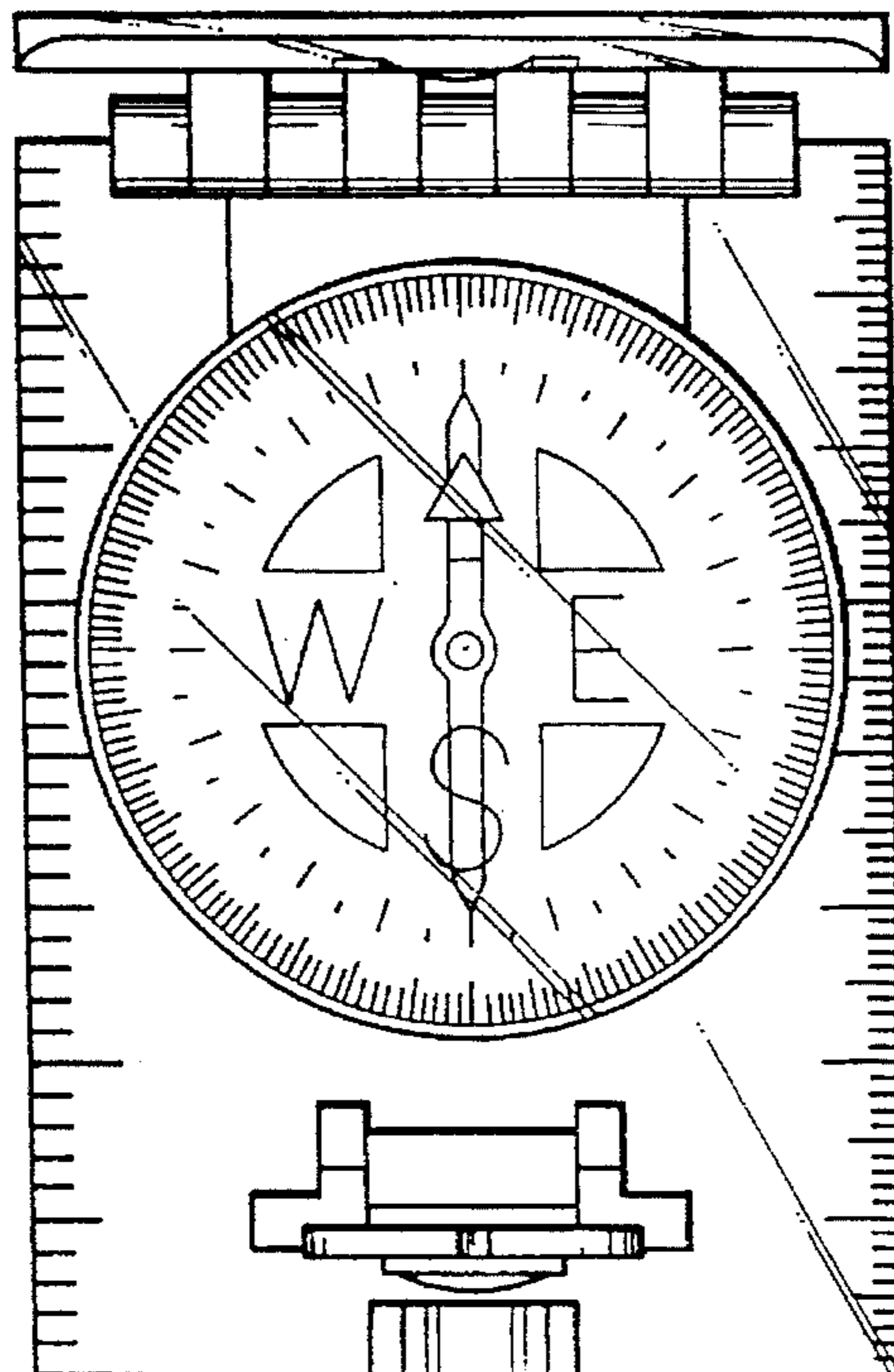


FIG.6