



US00D369976S

United States Patent [19]

Koptis

[11] **Patent Number: Des. 369,976**

[45] **Date of Patent: **May 21, 1996**

[54] **APPLICATOR CAP FOR AN AEROSOL CAN**

[75] **Inventor: Kurt Koptis, Yucca Valley, Calif.**

[73] **Assignee: Painter's Products Inc., Palm Desert, Calif.**

[**] **Term: 14 Years**

[21] **Appl. No.: 29,650**

[22] **Filed: Oct. 12, 1994**

[52] **U.S. Cl. D9/436**

[58] **Field of Search** D4/114, 116; D9/338, D9/434-6, 439-40, 443, 447-8, 499; 215/228, 236, 265, 306, 308; 220/212, 329, 334, 360; 222/480, 482, 520, 556, 565, 575; 401/130

[56] **References Cited**

U.S. PATENT DOCUMENTS

D. 196,707	10/1963	Anderson	D4/114
D. 199,959	1/1965	Hulsh	D4/114
D. 207,434	4/1967	Danz et al.	D9/448
D. 208,174	7/1967	Carveth	D9/436
D. 226,462	3/1973	Gibbs	D4/114
D. 288,502	3/1987	Barkley	D9/335

D. 326,118	5/1992	Black	D9/338
D. 339,918	10/1993	Chamberlain	D9/338
2,932,840	4/1960	Lathrop	D9/338 X
4,846,599	7/1989	Seddon	215/209

Primary Examiner—Alan P. Douglas
Assistant Examiner—Robert M. Spear
Attorney, Agent, or Firm—Charles H. Schwartz; Ellsworth R. Roston

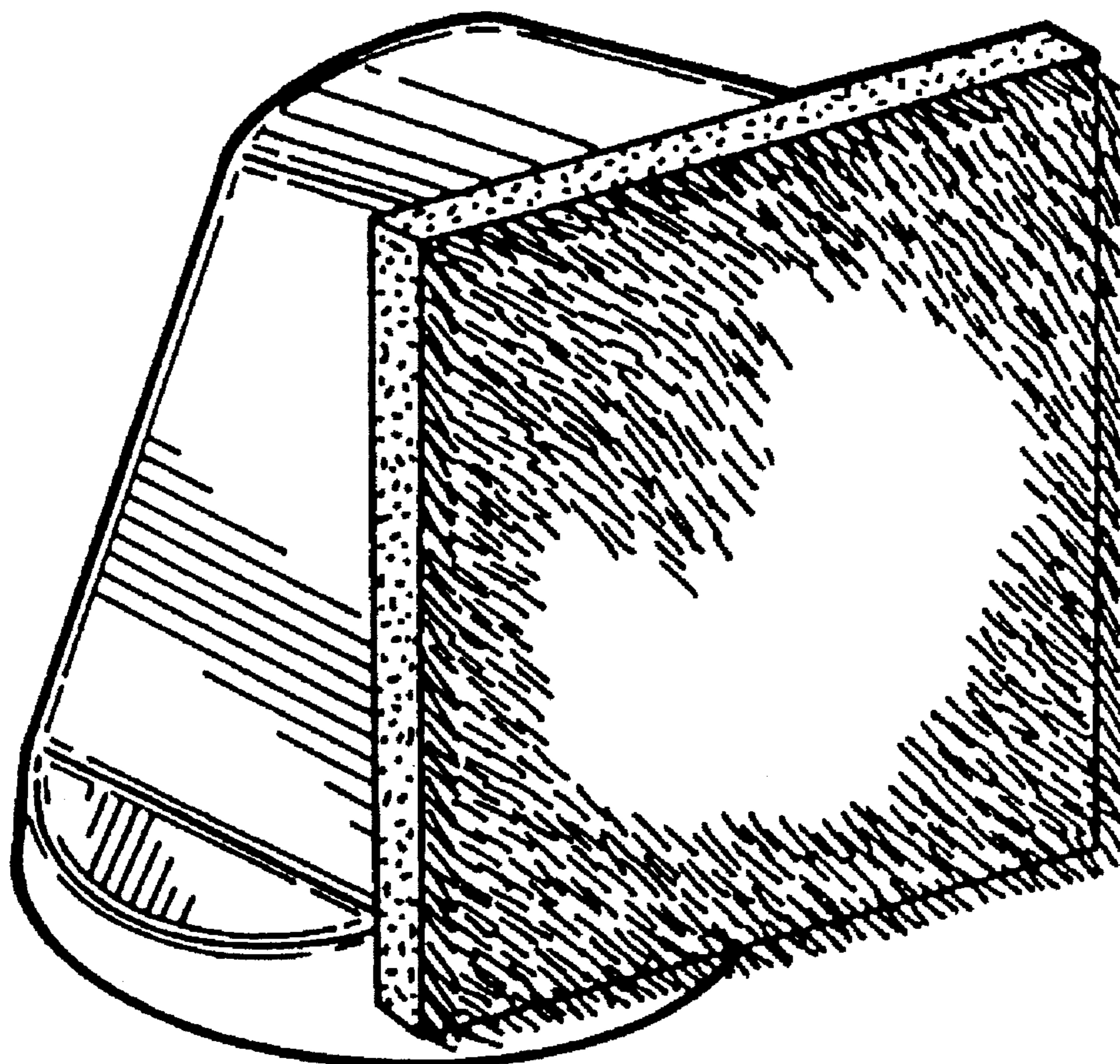
[57] **CLAIM**

The ornamental design for an applicator cap for an aerosol can, as shown and described.

DESCRIPTION

FIG. 1 is a front perspective view of an applicator cap for an aerosol can according to my new invention; FIG. 2 is a front elevational view thereof; FIG. 3 is a back elevational view thereof; FIG. 4 is a top plan view thereof; FIG. 5 is a bottom plan view; FIG. 6 is a left side elevational view with the right side being a mirror image; and, FIG. 7 is a bottom, rear perspective view taken generally on line 7—7 of FIG. 6.

1 Claim, 2 Drawing Sheets



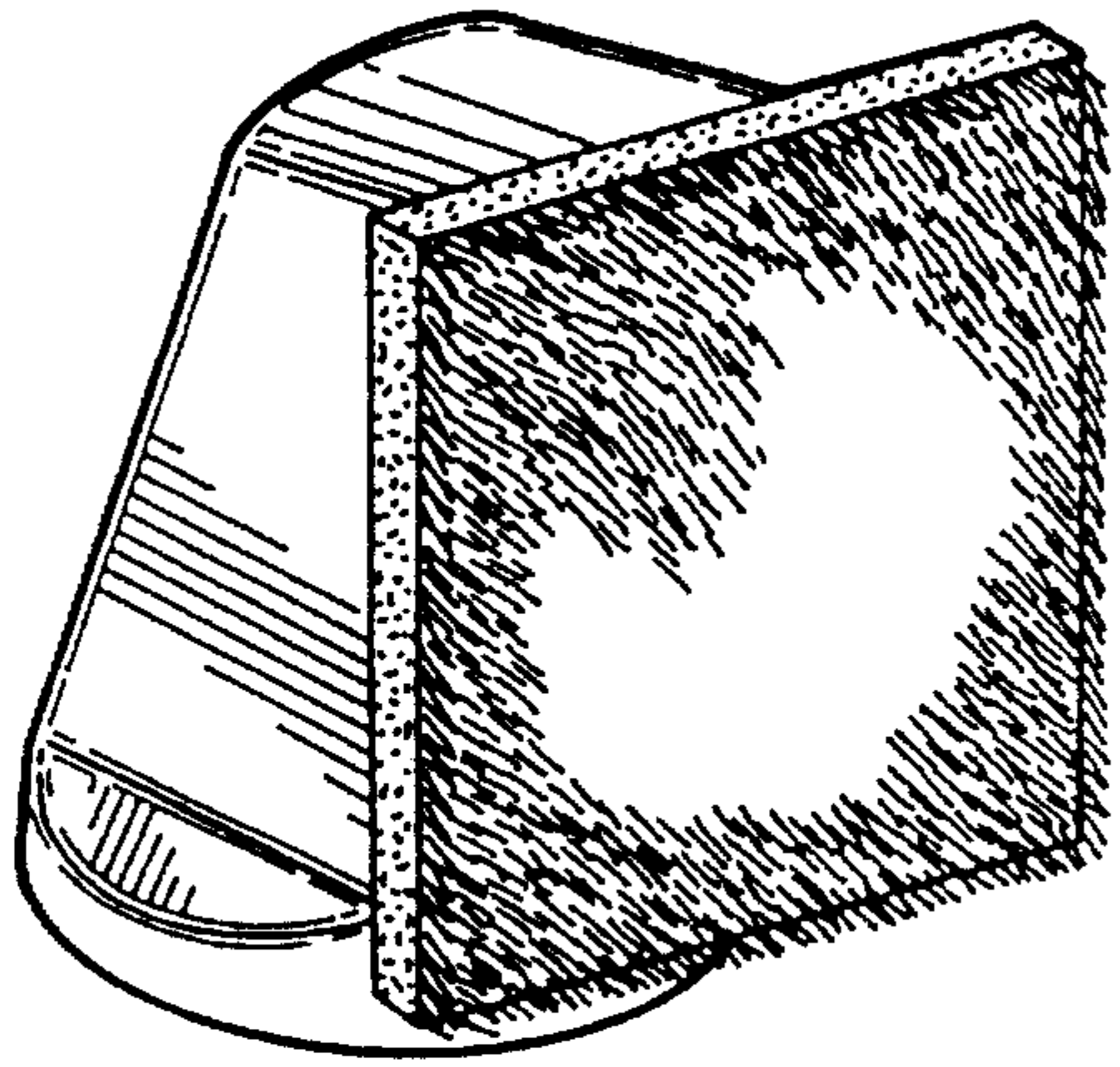


FIG. 1

FIG. 2

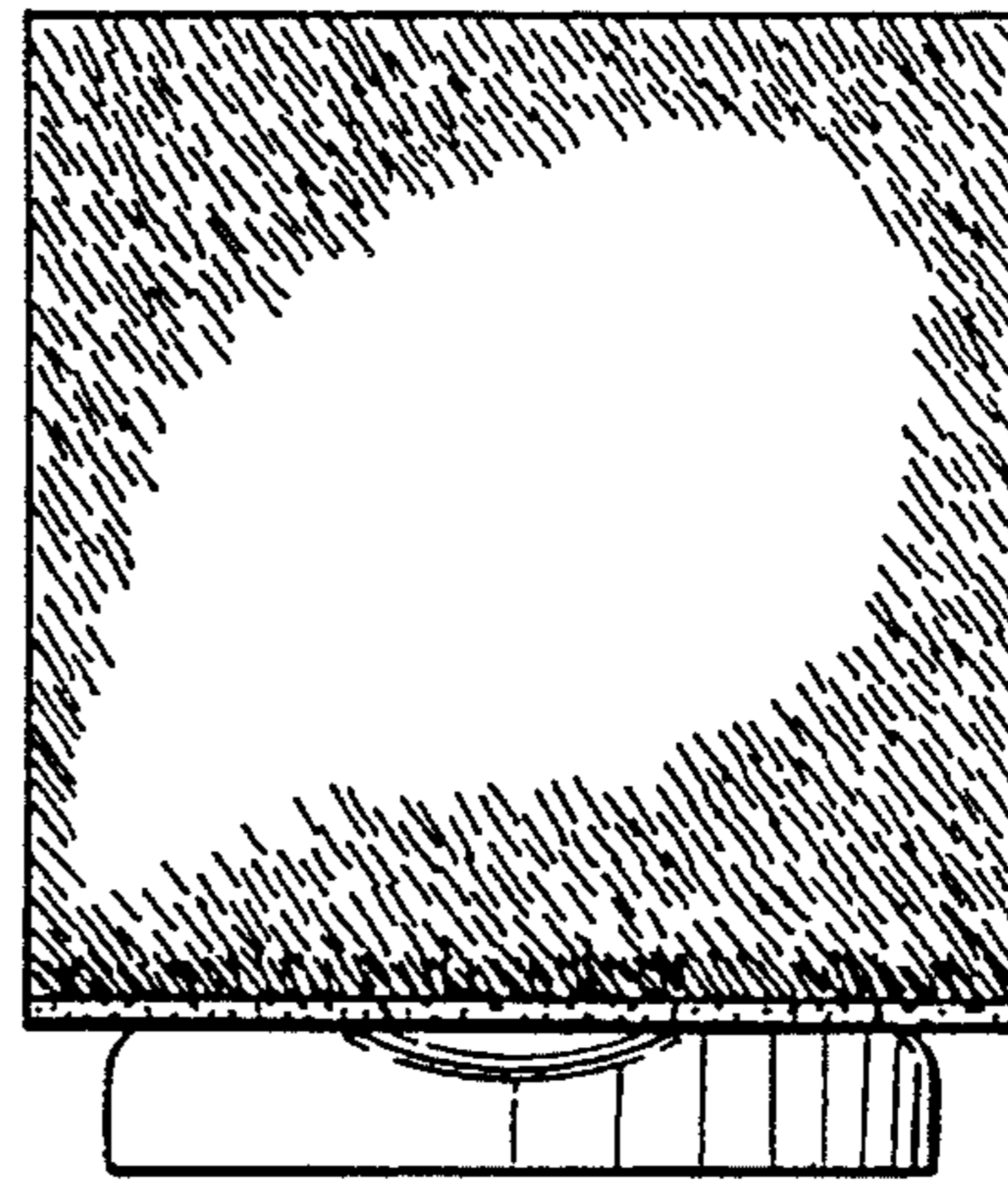


FIG. 3

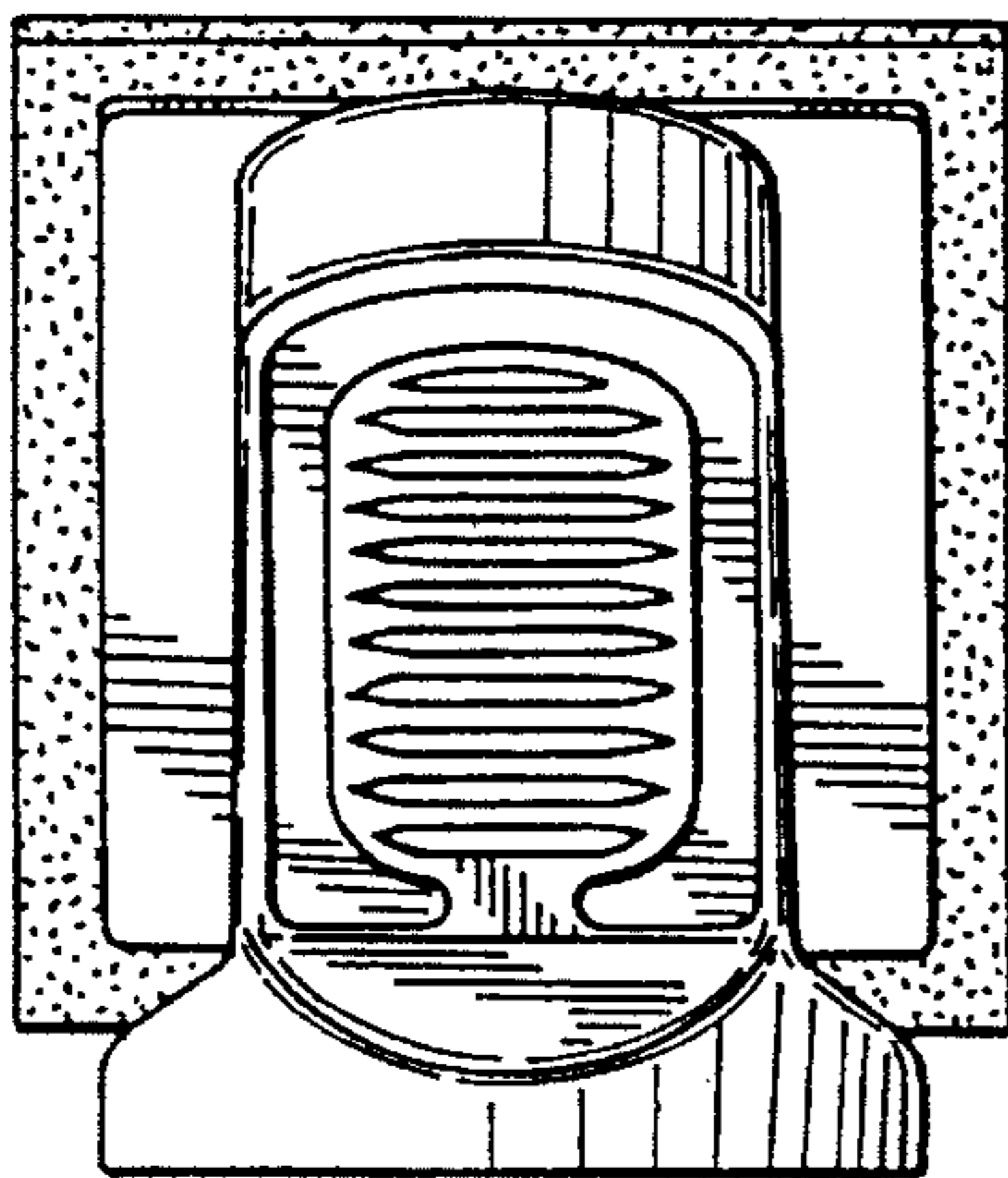
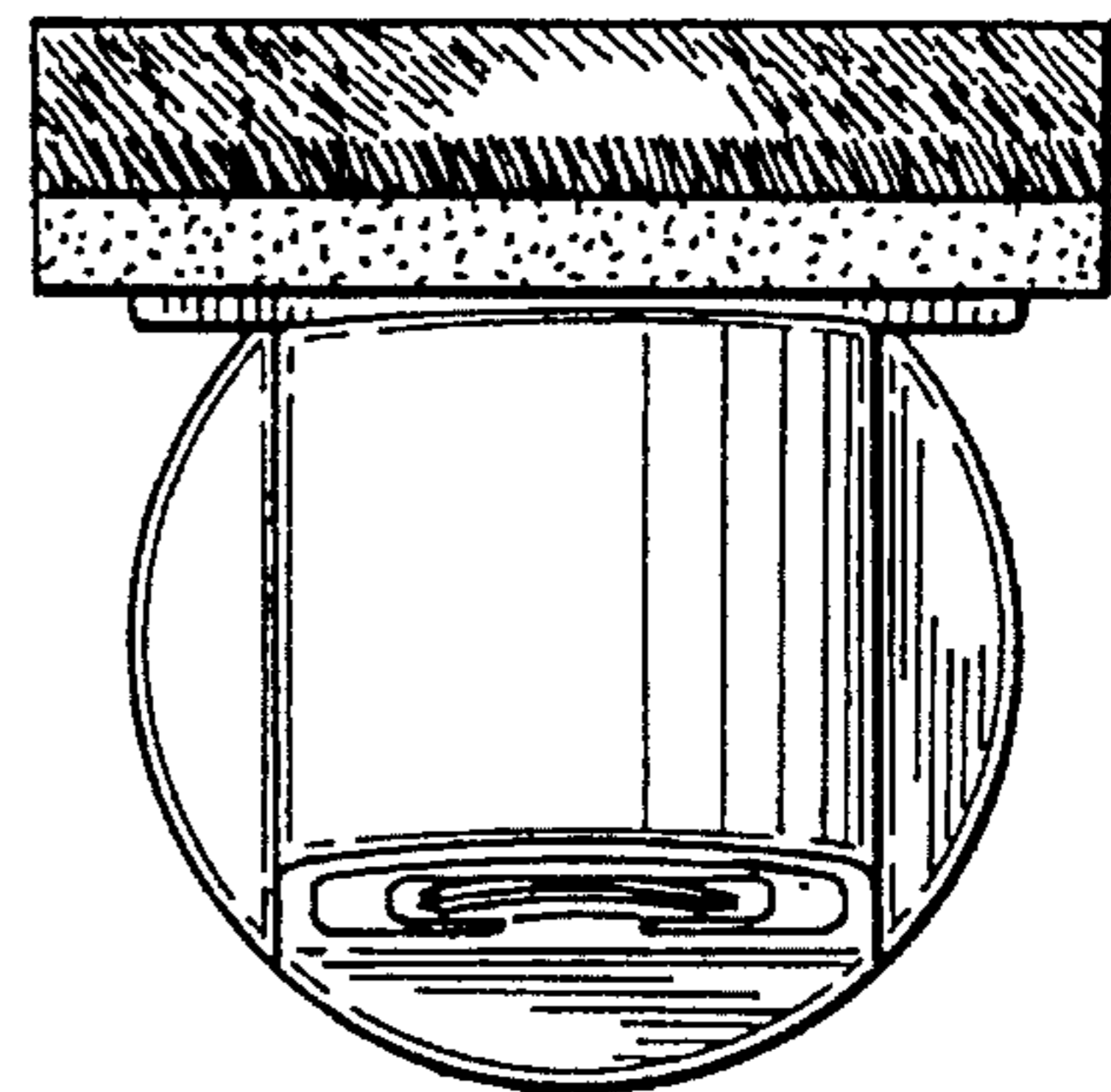


FIG. 4



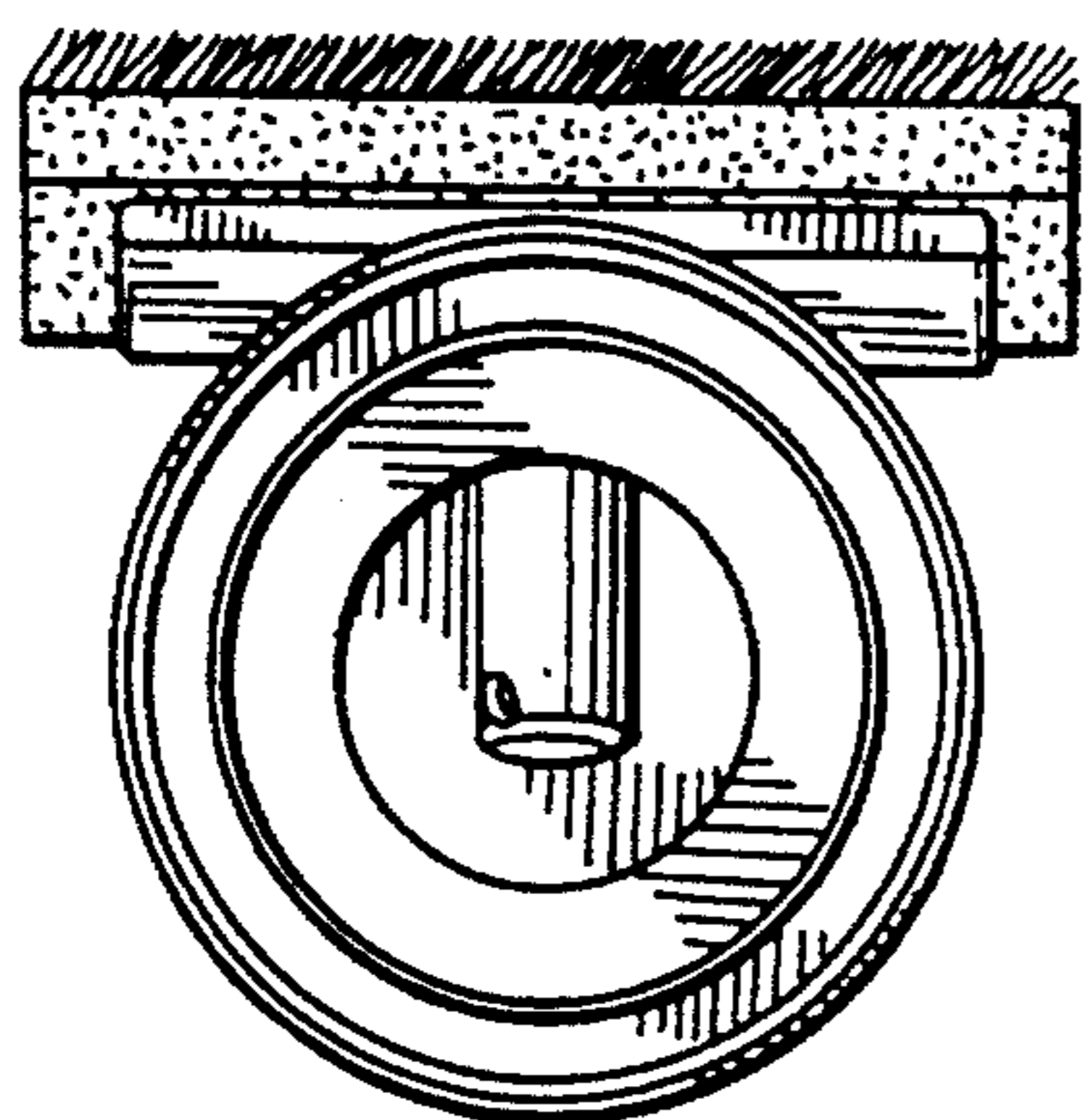


FIG. 5

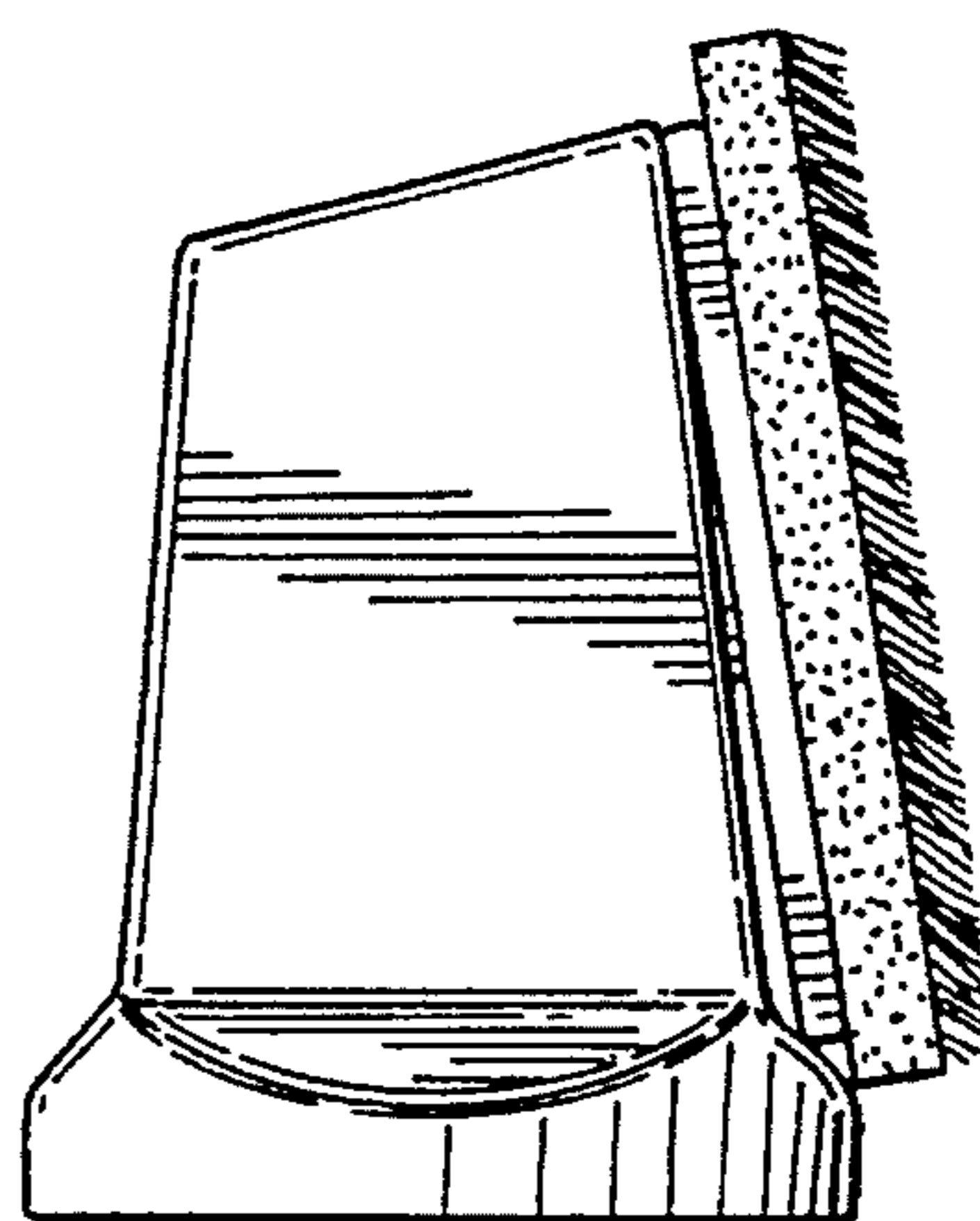


FIG. 6

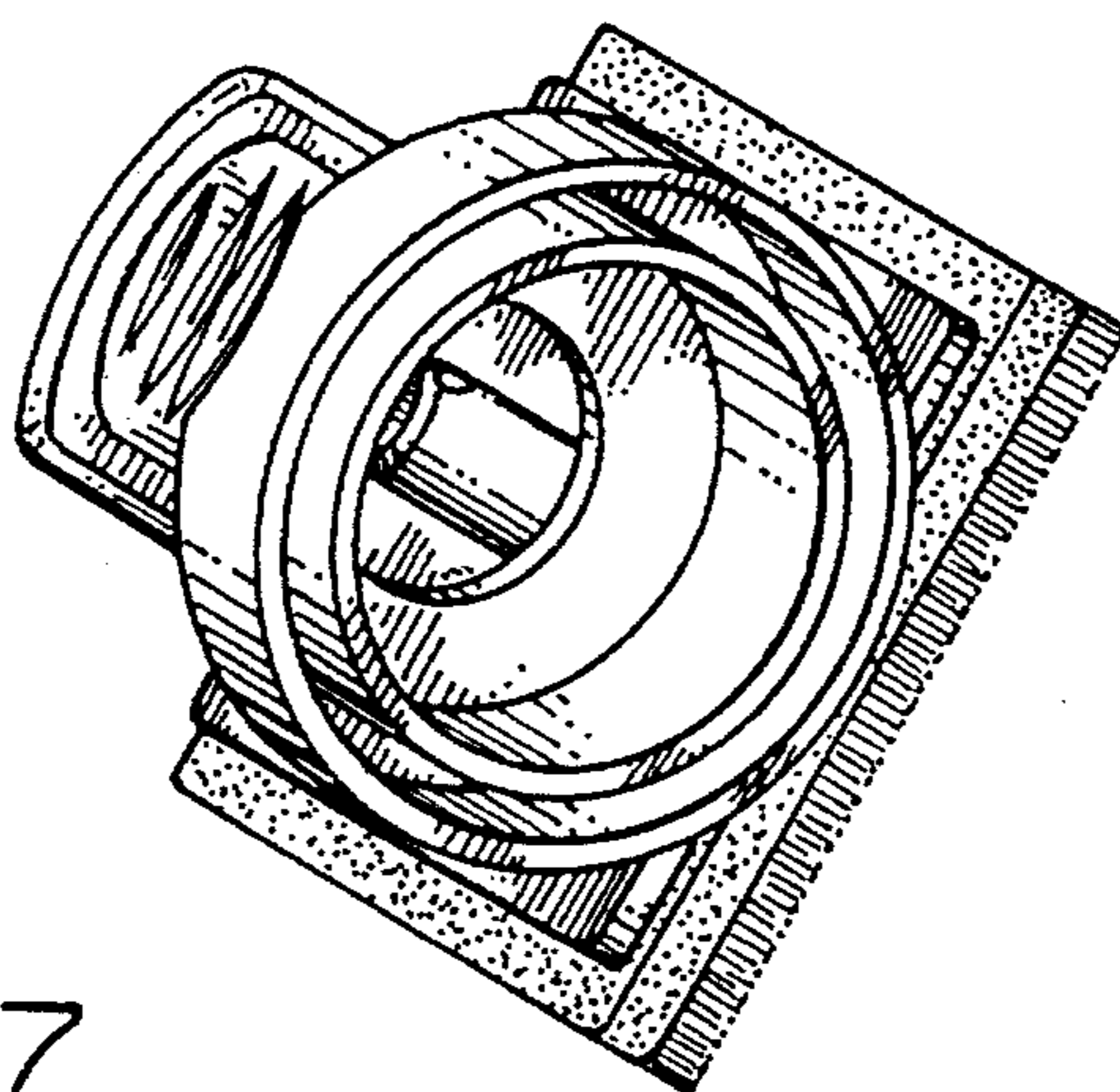
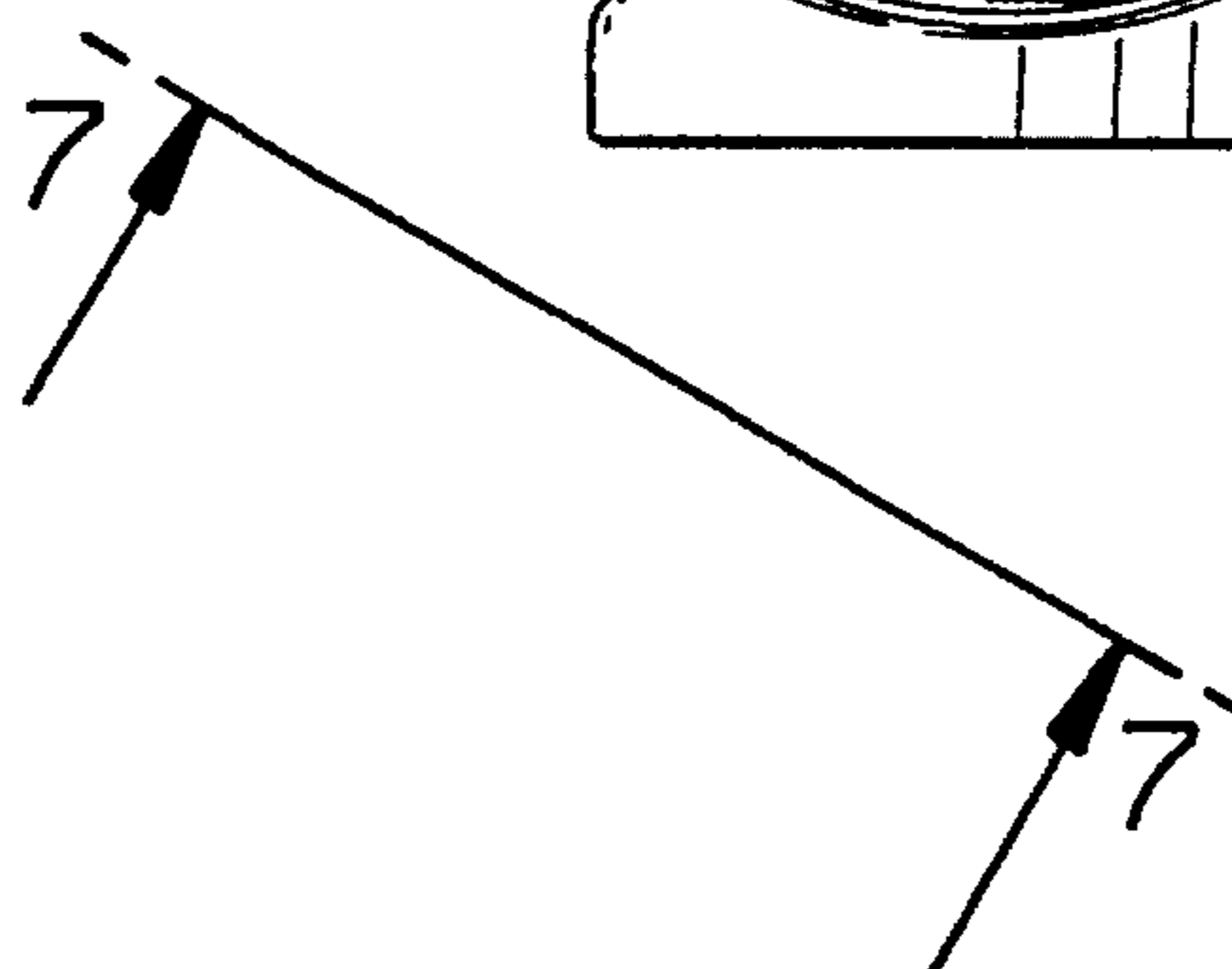


FIG. 7