



US00D369973S

# United States Patent [19] Dikowitz

[11] Patent Number: **Des. 369,973**

[45] Date of Patent: **\*\*May 21, 1996**

[54] **WATCH BOX**

3,918,577 11/1975 Horzick ..... 206/301 X

[75] Inventor: **Jerry Dikowitz**, Plainview, N.Y.

### OTHER PUBLICATIONS

[73] Assignee: **E. Gluck Corporation**, Long Island City, N.Y.

Modern Packaging, 1948, p. 450.

Jeweler Circular Keystone, Jun. 1979, p. 20.

Jeweler Circular Keystone, 1985, p. 3.

[\*\*] Term: **14 Years**

Rectangular Metal Box (Hershey's Chocolate) in possession of applicant—more than a year.

[21] Appl. No.: **41,185**

Elipsoidal Metal Box (Walt Disney Characters) in possession of applicant—more than a year.

[22] Filed: **Jul. 7, 1995**

[52] U.S. Cl. .... **D9/430**

*Primary Examiner*—Prabhakar G. Deshmukh

*Attorney, Agent, or Firm*—Gottlieb, Rackman & Reisman

[58] **Field of Search** ..... D9/422, 423, 424, D9/430, 431, 337; 206/566, 594, 524.3, 301, 18, 6.1, 45.19, 45.13, 45.14, 508; 220/334, 337, 376, 8; D28/83; 229/23 BT

### [57] CLAIM

The ornamental design for a watch box, as shown and described.

### [56] References Cited

### DESCRIPTION

#### U.S. PATENT DOCUMENTS

D. 96,375	7/1935	Flier	.....	D9/423
D. 210,869	4/1968	Hayes	.....	D9/423
D. 336,612	6/1993	Miller et al.	.....	D9/424 X
D. 342,193	12/1993	Smith	.....	D9/430 X
D. 344,676	3/1994	Newman	.....	D9/430
D. 360,581	7/1995	Dikowitz	.....	D9/430
1,098,768	6/1914	Sundee	.....	206/301 X
1,909,020	5/1933	Shields	.....	206/301 X

FIG. 1 is a perspective view of a watch box showing my new design;

FIG. 2 is an exploded perspective view thereof;

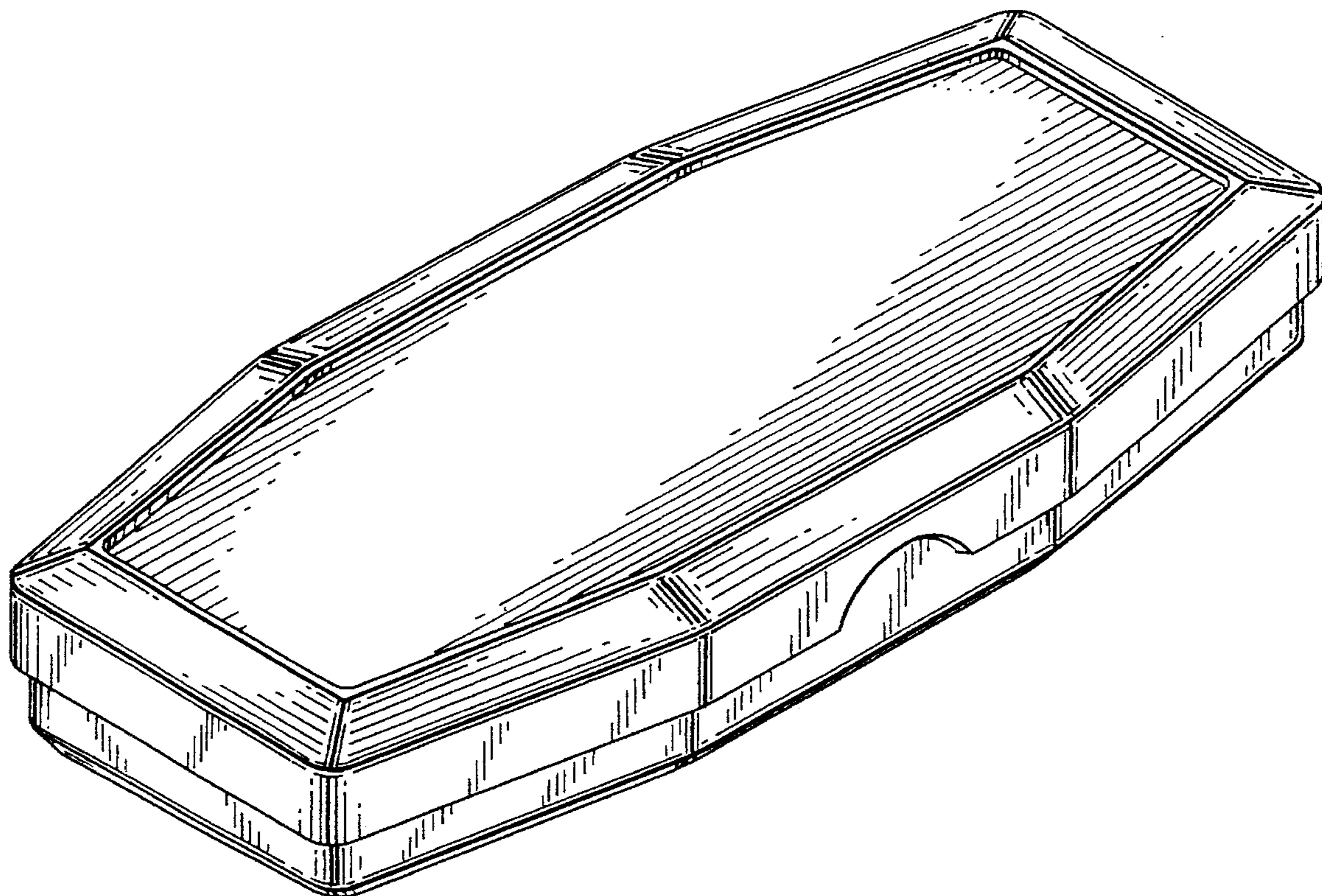
FIG. 3 is a side elevational view thereof;

FIG. 4 is a top plan view thereof;

FIG. 5 is a front elevational view thereof; and,

FIG. 6 is a bottom plan view thereof.

**1 Claim, 4 Drawing Sheets**



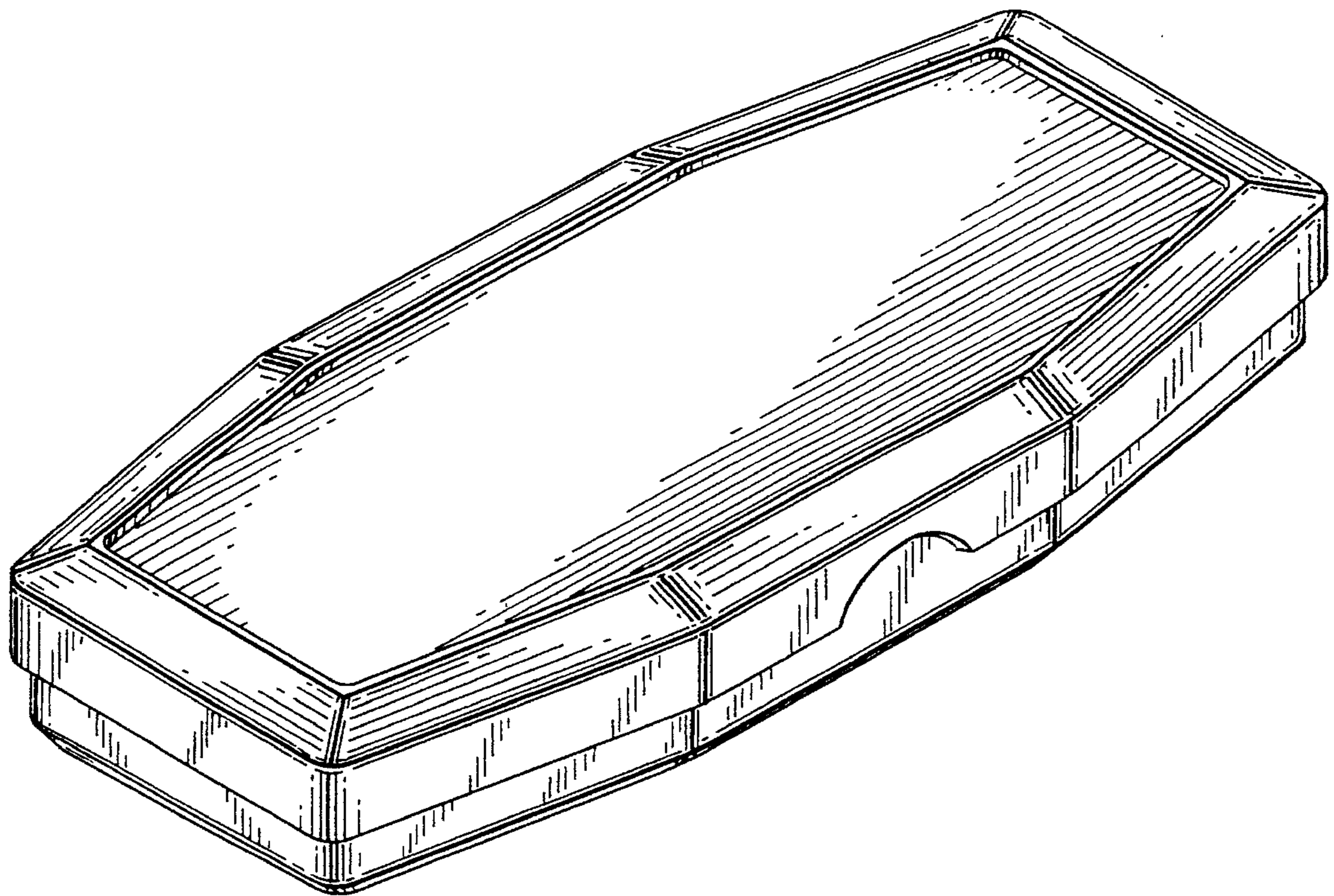


FIG. 1

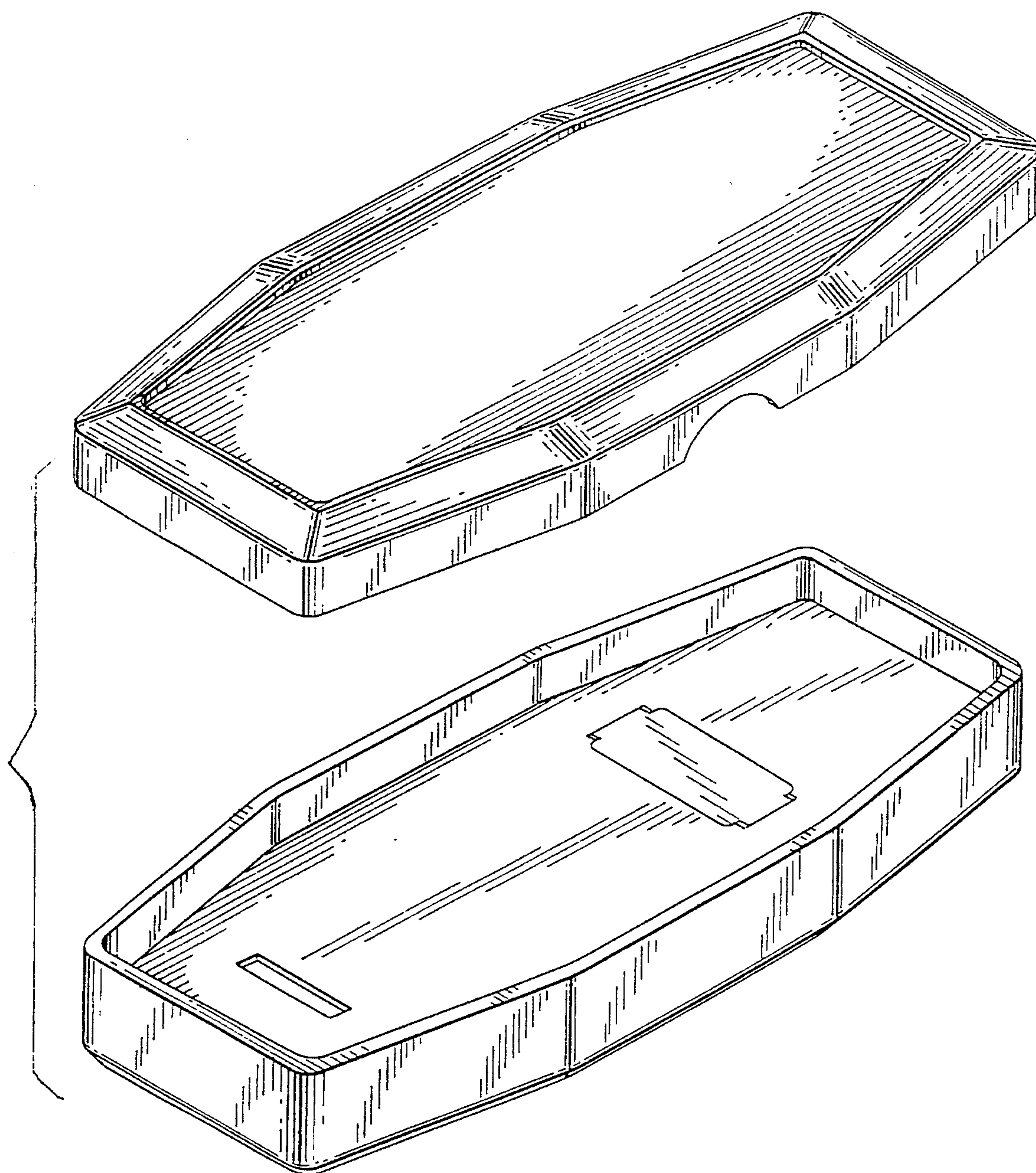


FIG. 2

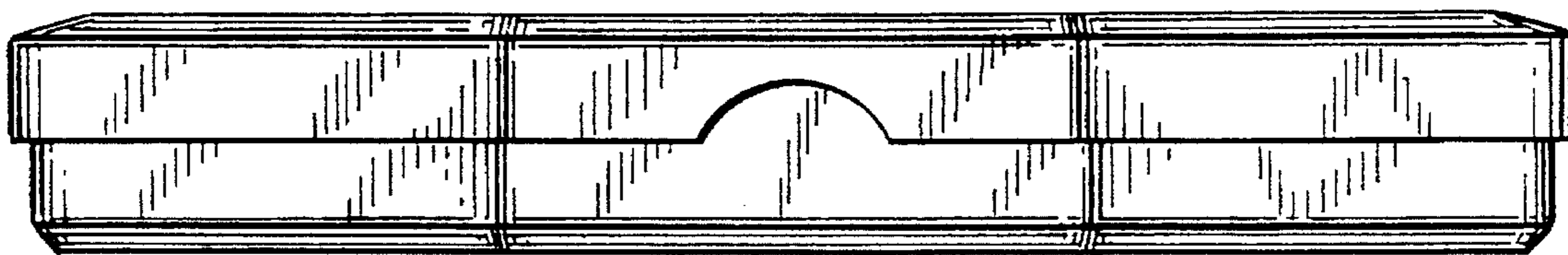


FIG. 3

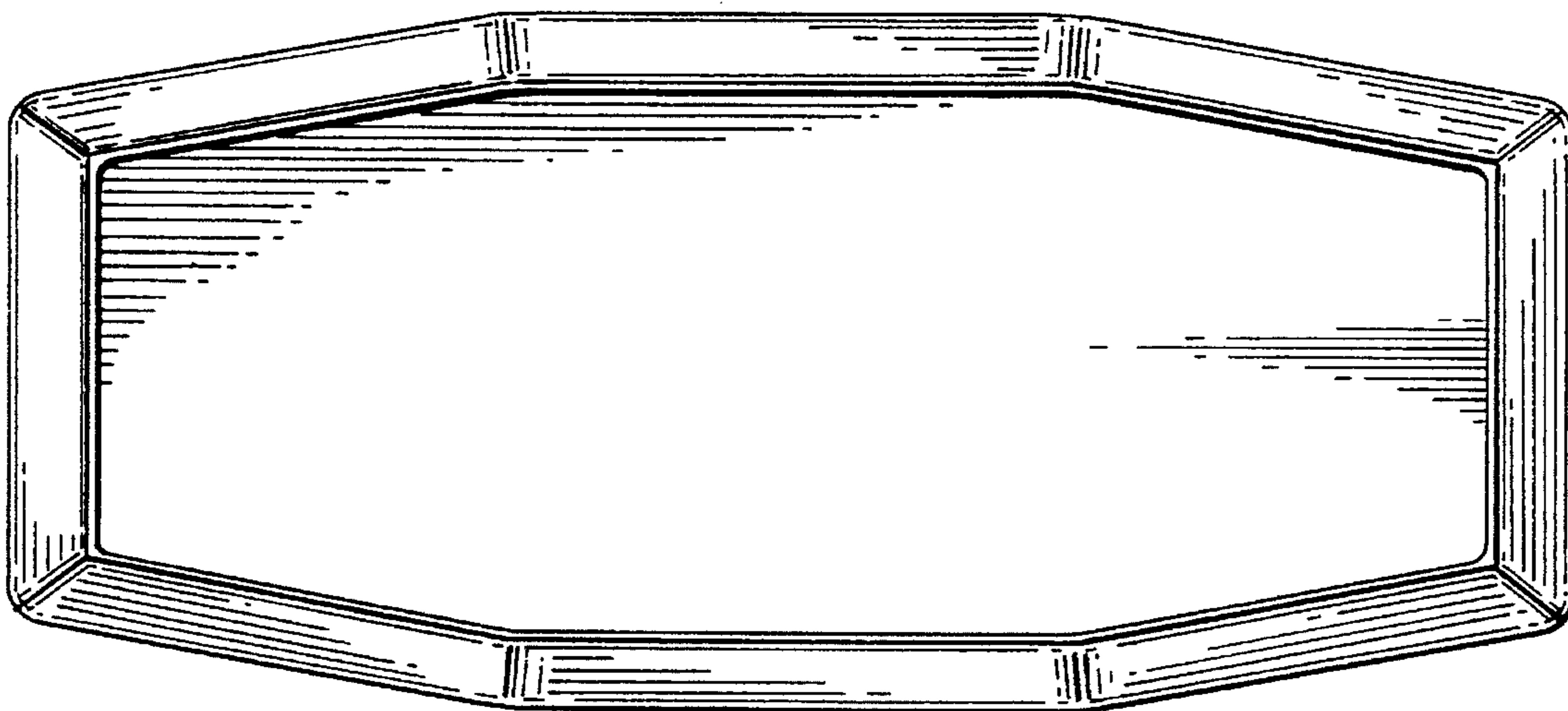


FIG. 4

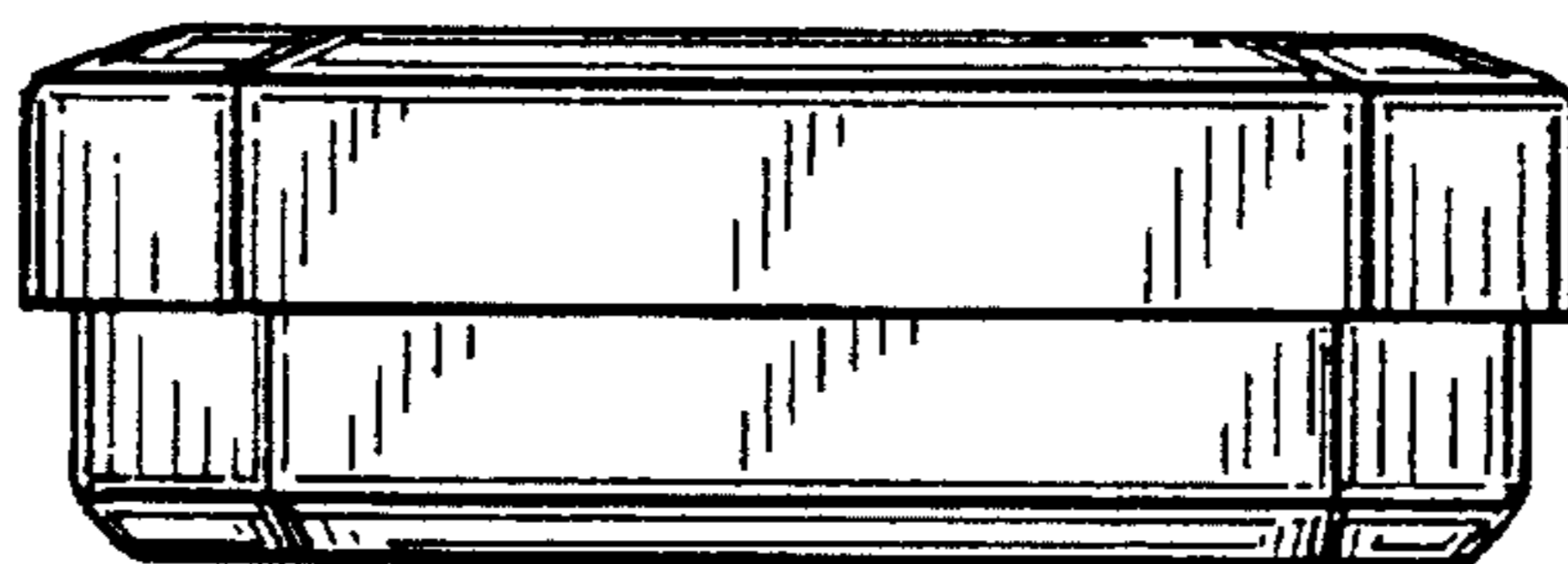


FIG. 5

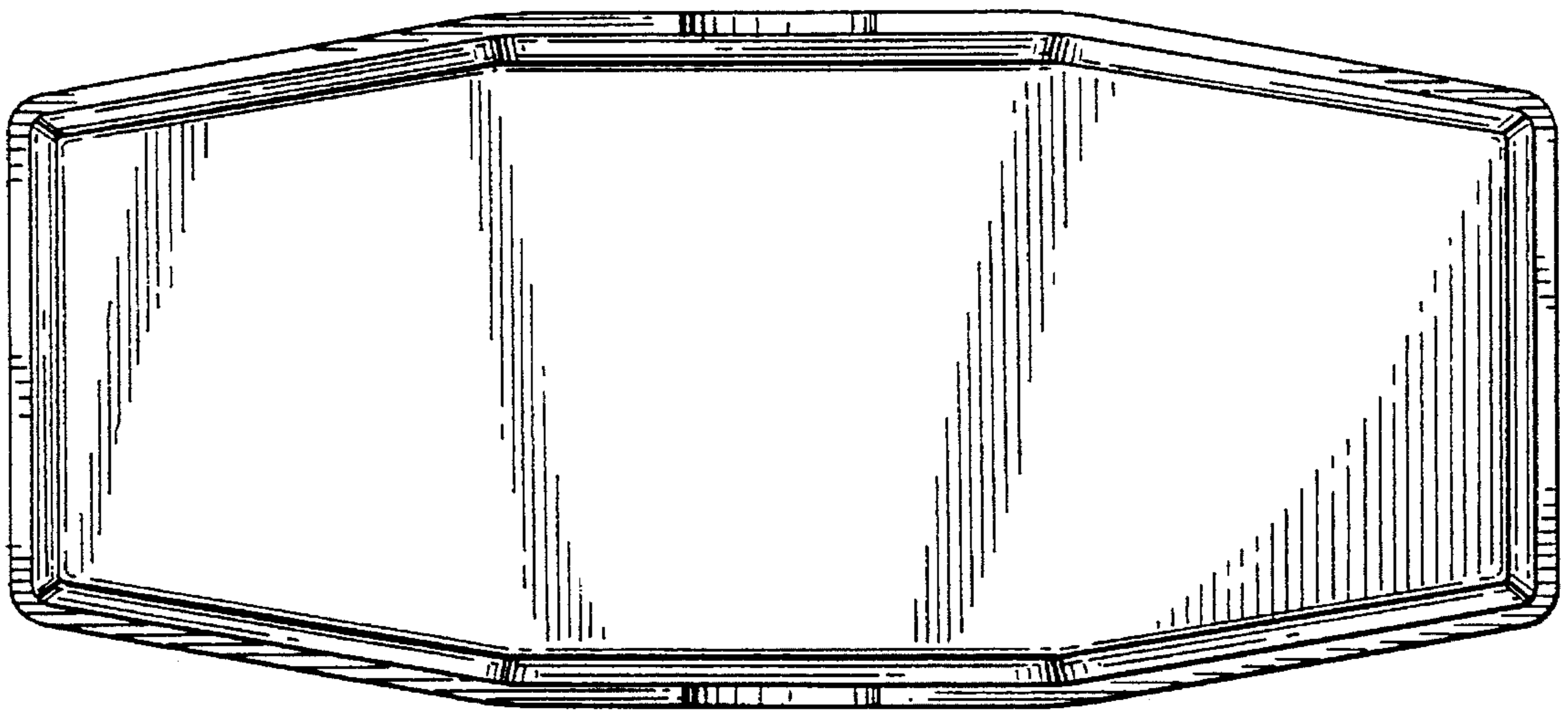


FIG. 6