



US00D369966S

United States Patent [19]

[11] Patent Number: **Des. 369,966**

Decursu et al.

[45] Date of Patent: ****May 21, 1996**

[54] **HAND WHEEL WITH CRANK ARM**

[75] Inventors: **Giorgio Decursu; Alberto Bertani,**
both of Milan, Italy

[73] Assignee: **Elesa S.p.A.,** Milan, Italy

[**] Term: **14 Years**

[21] Appl. No.: **29,277**

[22] Filed: **Oct. 3, 1994**

[30] **Foreign Application Priority Data**

Apr. 5, 1994 [XH] Hague Agreement DM/029270

[52] U.S. Cl. **D8/309**

[58] Field of Search D8/300, 306-310;
16/110 R, 114 R, 116 R, DIG. 18, DIG. 19;
70/DIG. 73; 74/543, 545-547

[56] **References Cited**

U.S. PATENT DOCUMENTS

D. 289,370 4/1987 Bertani .

OTHER PUBLICATIONS

Balcrank Inc. Catalog; May 1963; Cover, Crank Wheel,
bottom center.

Standards Elesa Catalogue 121-Eng, Model No. VRTP., p.
24 date unknown.

Standards Elesa Catalogue 121-Eng, Model No. VRTP+I, p.
25 date unknown.

Standards Elesa Catalogue 121-Eng, Model No. VRTP+IR,
p. 26 date unknown.

Primary Examiner—Ted Shooman
Assistant Examiner—Dominic Simone
Attorney, Agent, or Firm—Pearne, Gordon, McCoy &
Granger

[57] **CLAIM**

The ornamental design for a hand wheel with crank arm, as
shown and described.

DESCRIPTION

FIG. 1 is a perspective view of a hand wheel with crank arm,
showing our new design;

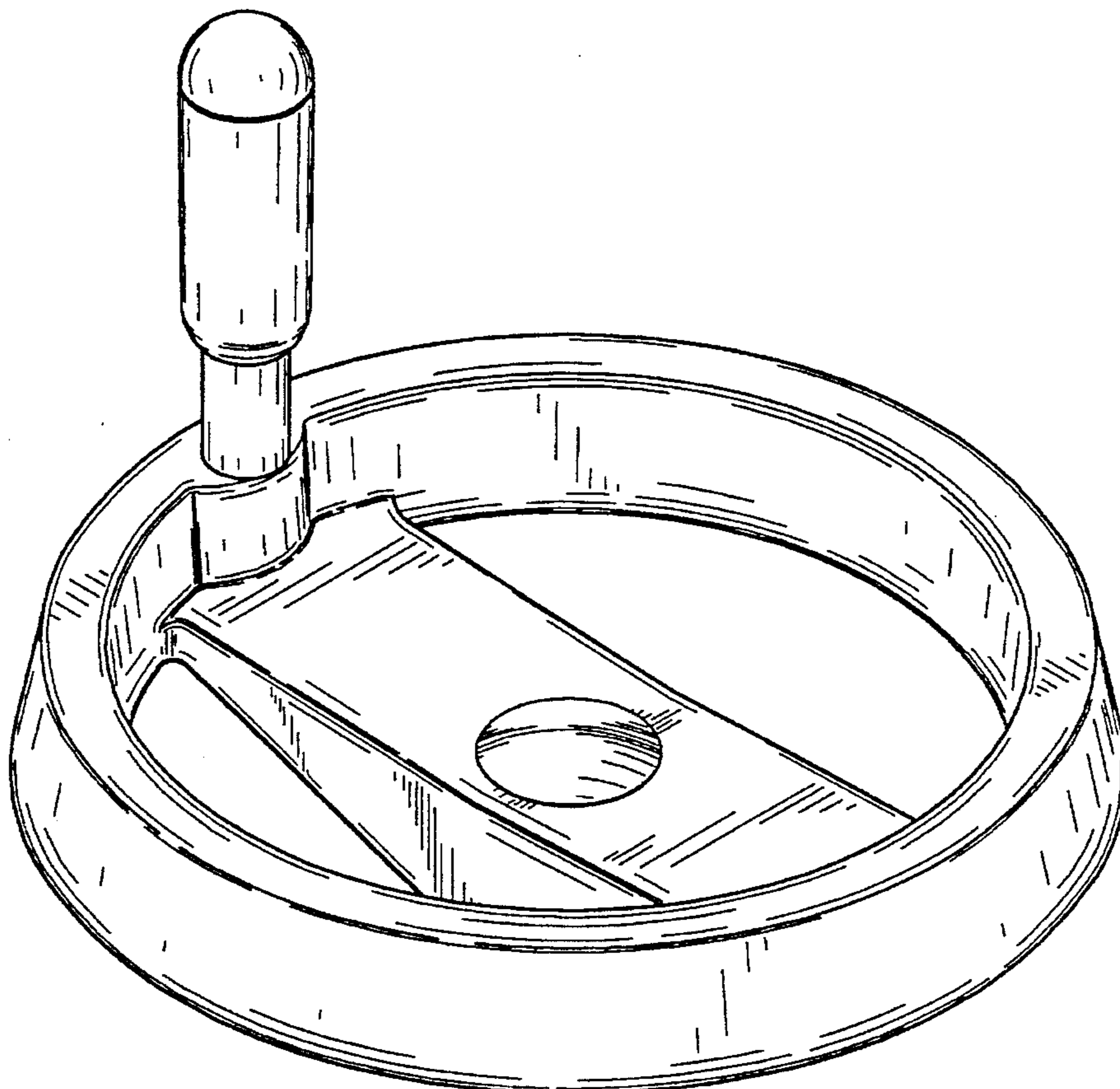
FIG. 2 is a top plan view thereof;

FIG. 3 is a bottom plan view thereof;

FIG. 4 is a front elevational view thereof, the rear side
elevational view being identical; and,

FIG. 5 is a right side elevational view, the left side eleva-
tional view being identical.

1 Claim, 3 Drawing Sheets



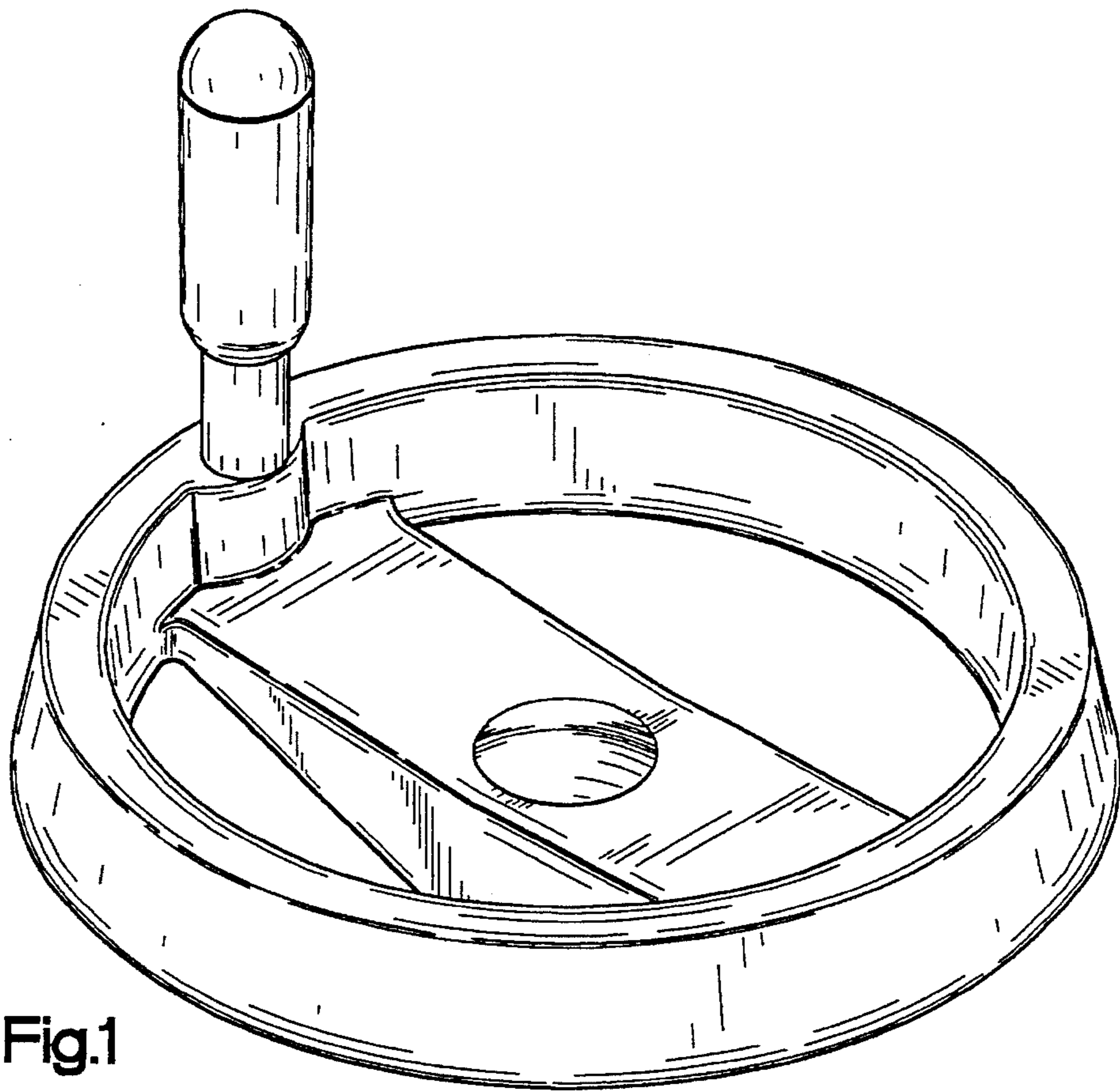


Fig.1

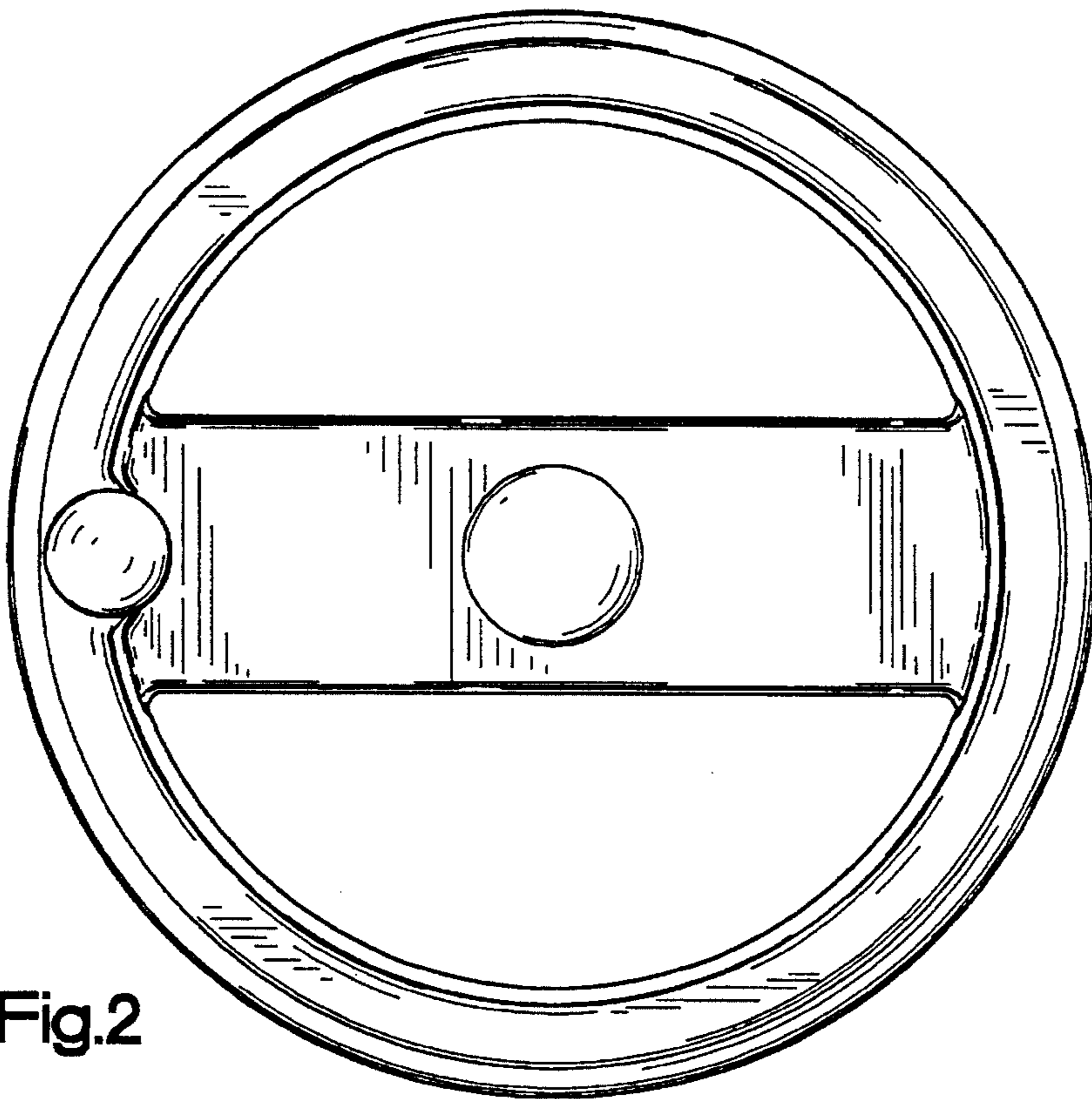


Fig.2

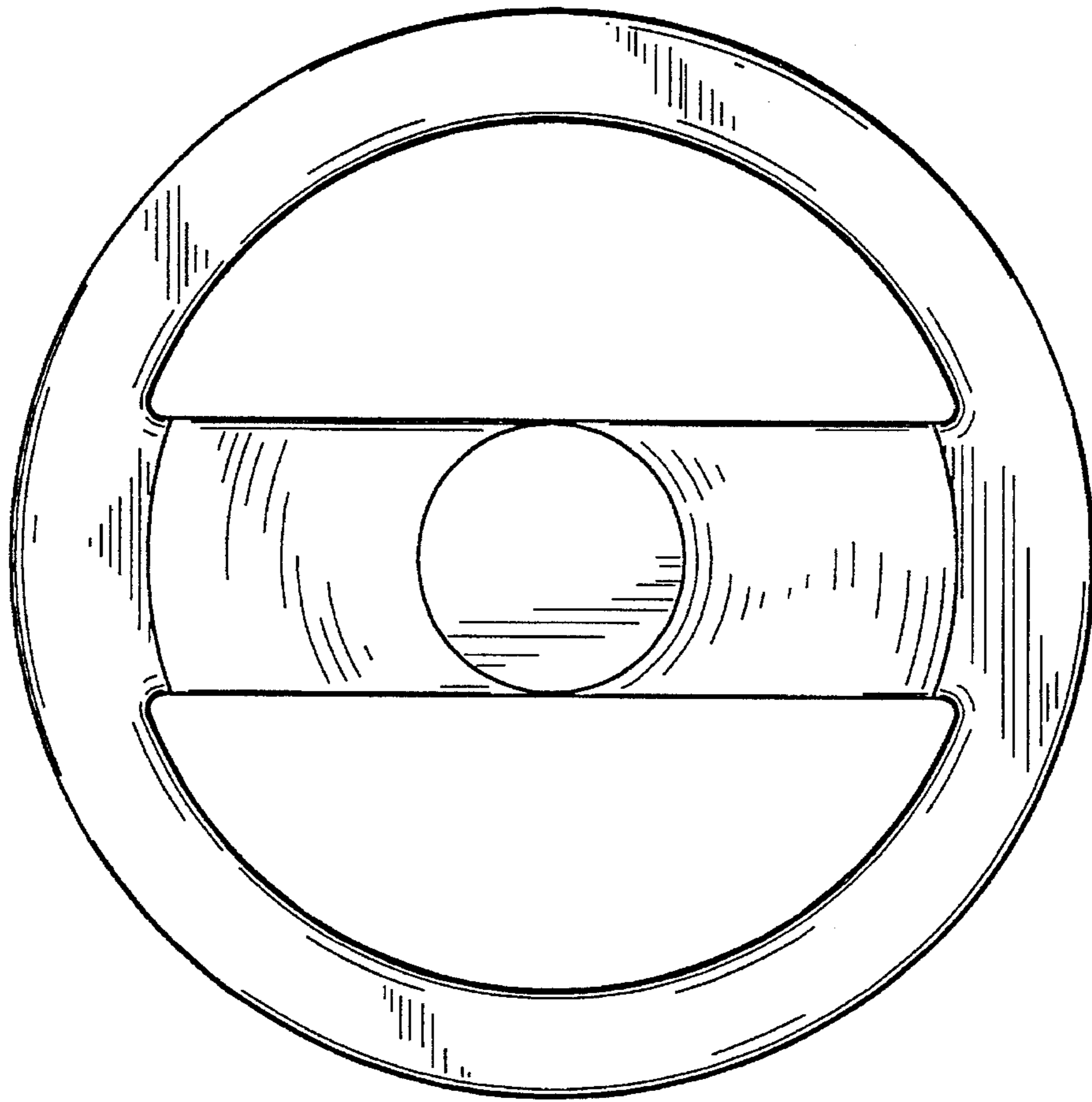


Fig.3

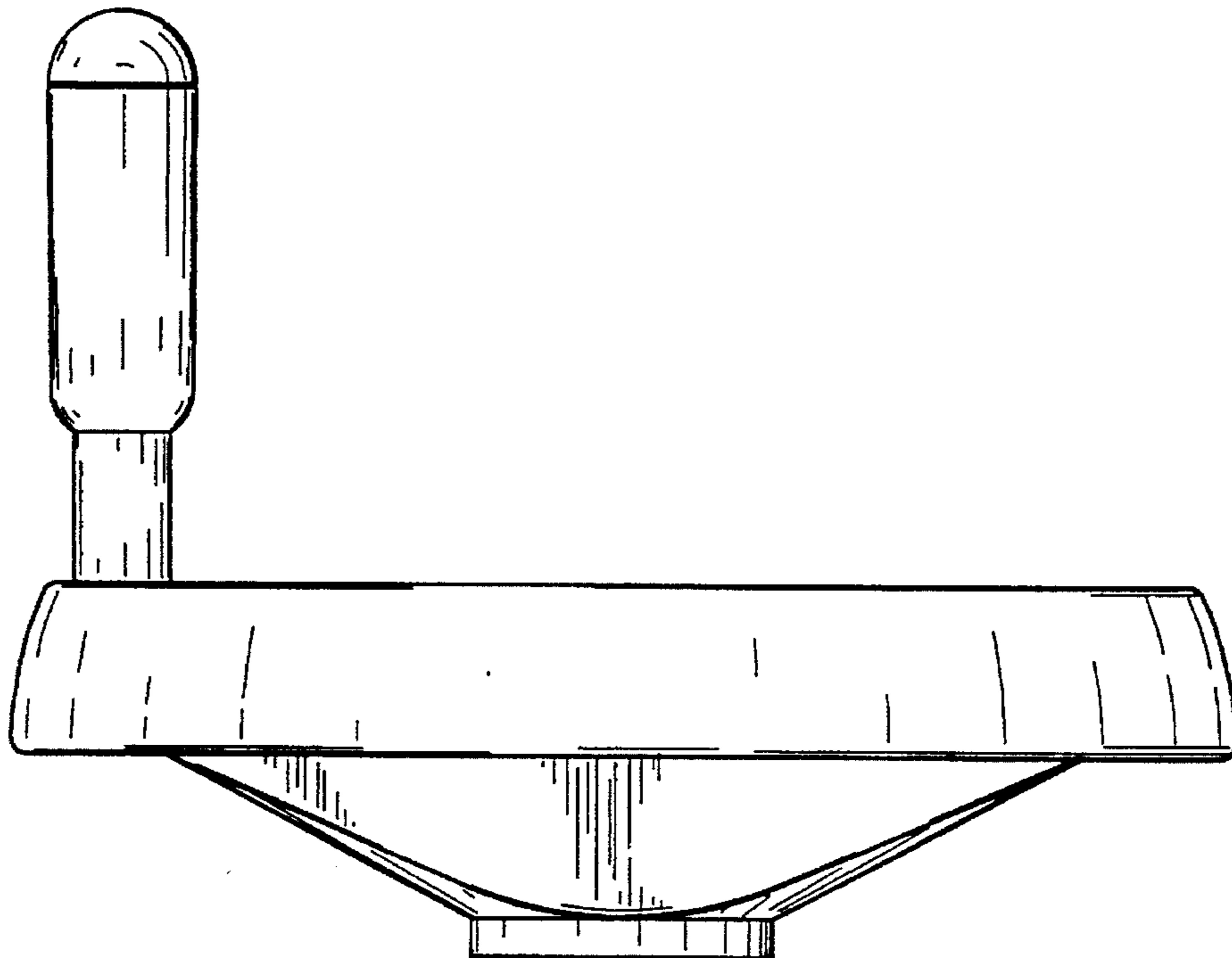


Fig.4

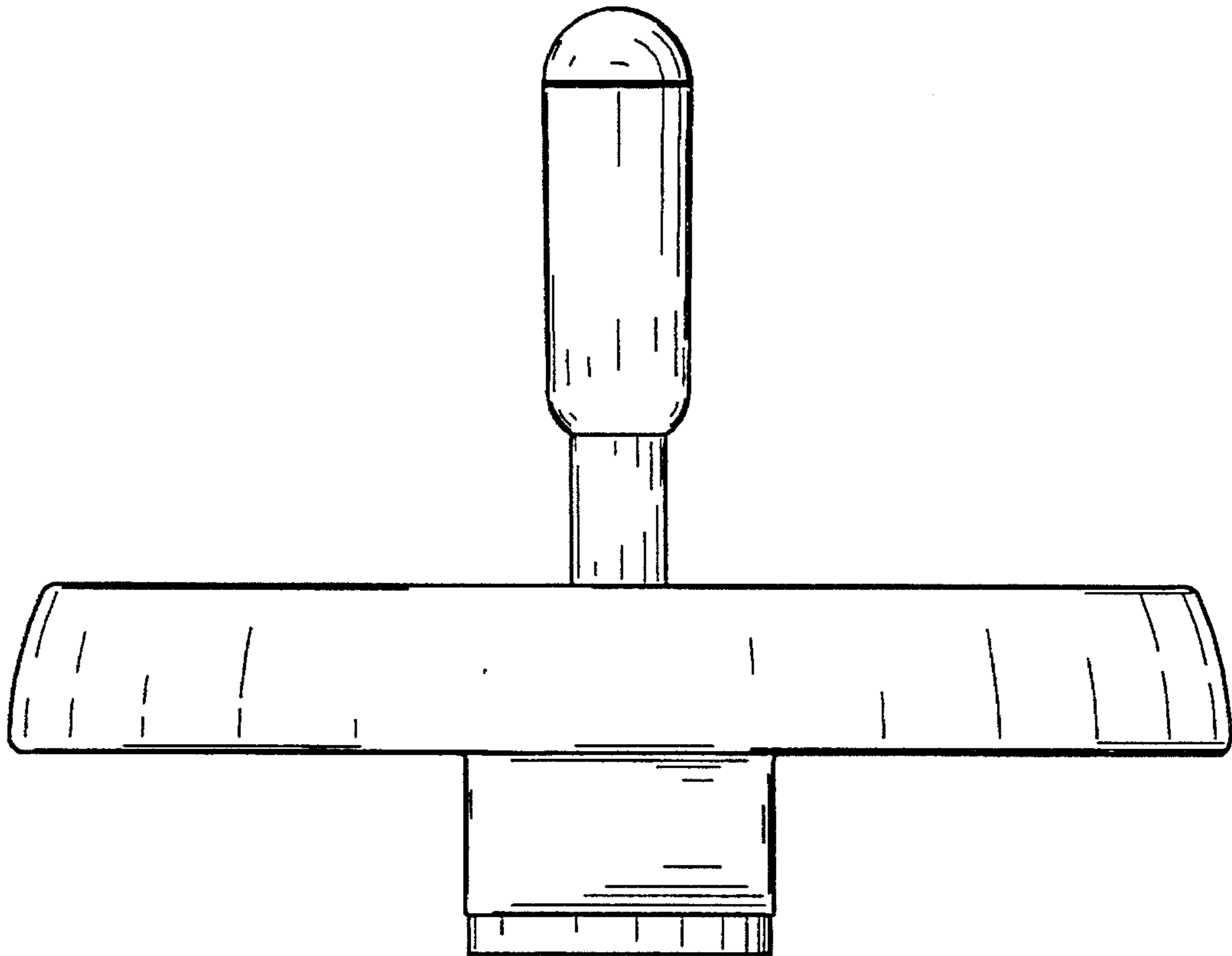


Fig.5