



US00D369965S

United States Patent [19]

Decursu et al.

[11] Patent Number: **Des. 369,965**

[45] Date of Patent: ****May 21, 1996**

[54] HAND CRANK

[75] Inventors: **Giorgio Decursu; Alberto Bertani,**
both of Milan, Italy

[73] Assignee: **Elesa S.p.A.,** Milan, Italy

[**] Term: **14 Years**

[21] Appl. No.: **29,279**

[22] Filed: **Oct. 3, 1994**

[30] Foreign Application Priority Data

Apr. 5, 1994 [XH] Hague Agreement DM/029270

[52] U.S. Cl. **D8/308; D8/309**

[58] Field of Search D8/300, 302, 308,
D8/309; 16/110 R, 114 R, 116 R, DIG. 18,
DIG. 19; 70/DIG. 73; 74/543, 545; 81/489;
292/DIG. 6, DIG. 8

[56] References Cited

U.S. PATENT DOCUMENTS

| | | | | | |
|------------|---------|-------------|-------|--------|---|
| D. 189,473 | 12/1960 | Bertsch | | D8/310 | X |
| D. 287,458 | 12/1986 | Decursu | . | | |
| D. 292,550 | 11/1987 | Jackson | | D8/309 | |
| D. 305,544 | 1/1990 | Ganter | | D8/309 | X |
| D. 336,233 | 6/1993 | Nimmermann | | D8/309 | |
| 2,464,941 | 3/1949 | Rader | | 74/545 | |
| 3,315,540 | 4/1967 | Baumgartner | | 74/545 | X |

OTHER PUBLICATIONS

Standards Elesa Catalogue 121-Eng, Model No. MT-AS, p. 55 date unknown.

Standards Elesa Catalogue 121-Eng, Model No. MT., p. 56 date unknown.

Standards Elesa Catalogue 121-Eng, Model No. MT+IR, p. 57 date unknown.

Primary Examiner—Ted Shooman

Assistant Examiner—Dominic Simone

Attorney, Agent, or Firm—Pearne, Gordon, McCoy & Granger

[57] CLAIM

The ornamental design for a hand crank, as shown and described.

DESCRIPTION

FIG. 1 is a perspective view of a hand crank, showing our new design;

FIG. 2 is a front elevational view thereof;

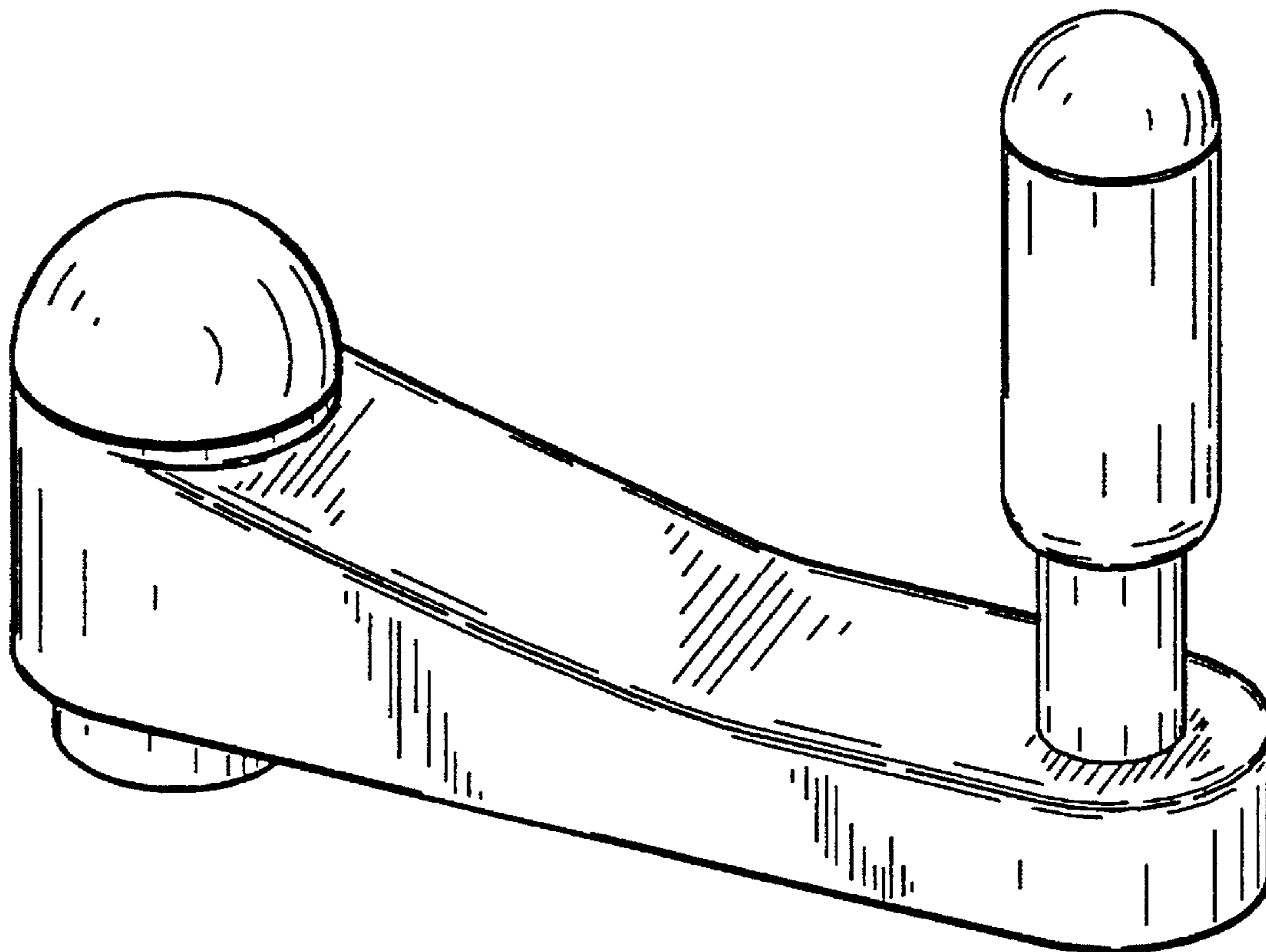
FIG. 3 is a top plan view thereof;

FIG. 4 is a bottom plan view thereof;

FIG. 5 is side elevational view from the right side thereof; and,

FIG. 6 is a side elevational view from the left side thereof.

1 Claim, 1 Drawing Sheet



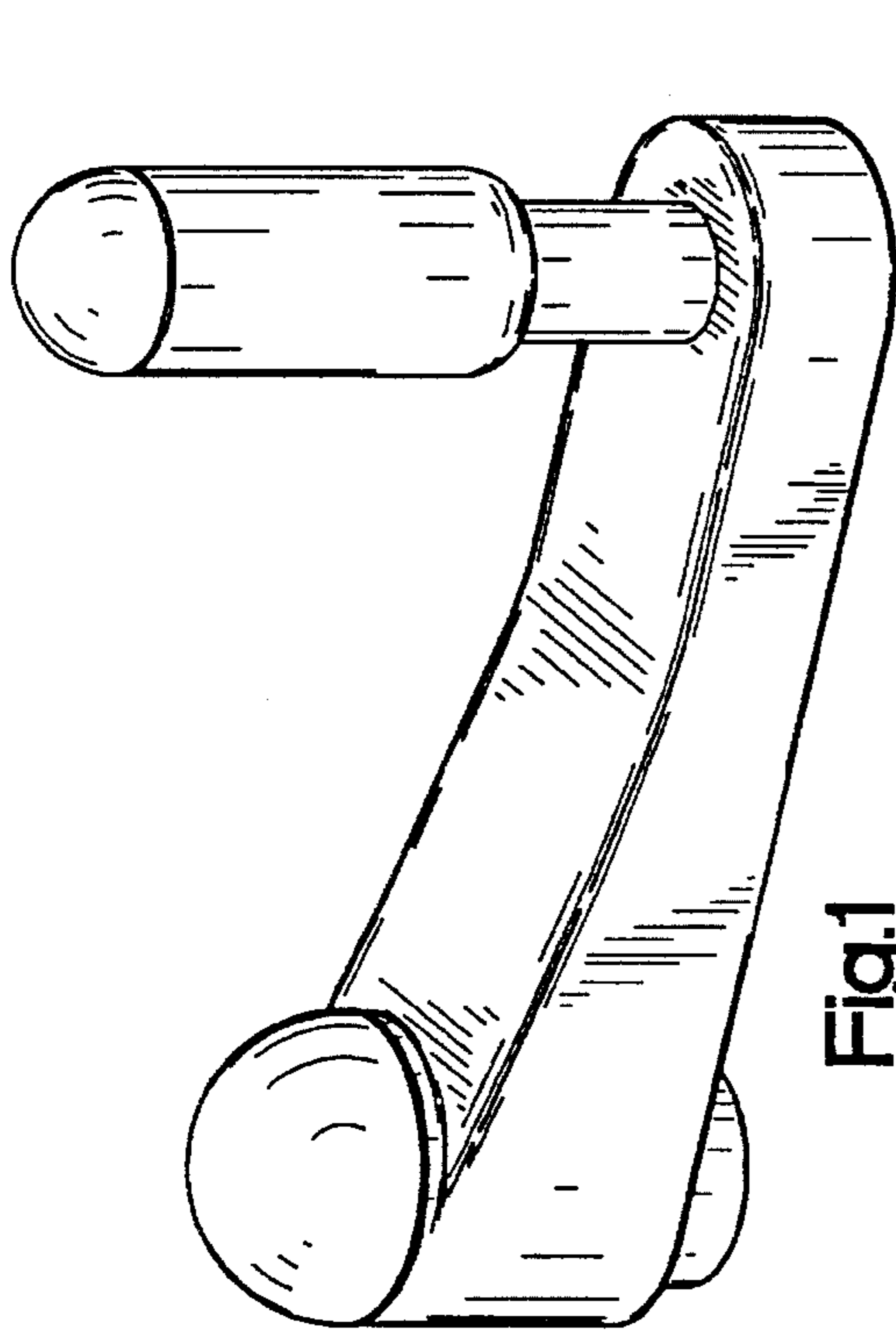


Fig.1

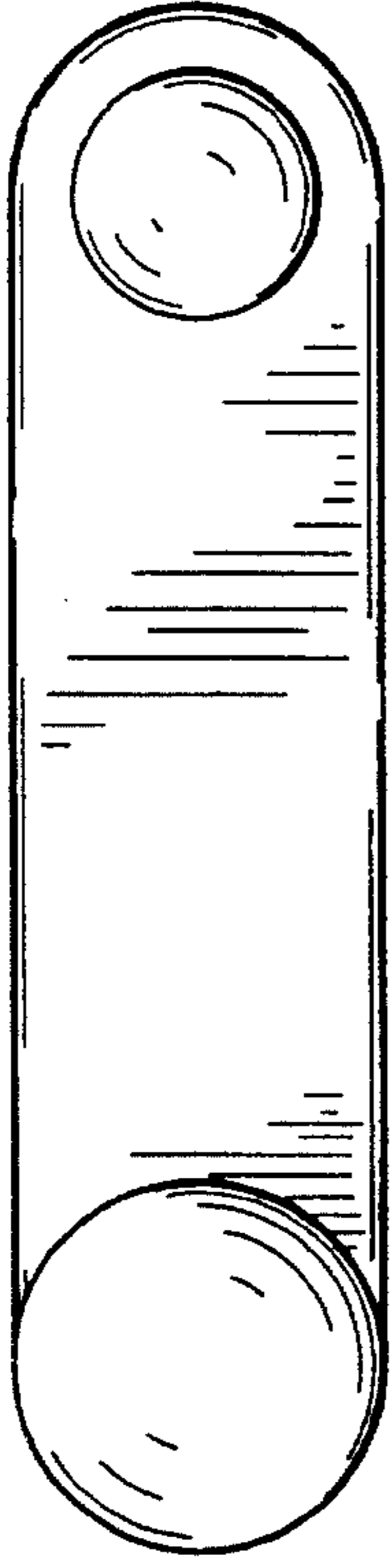


Fig.3

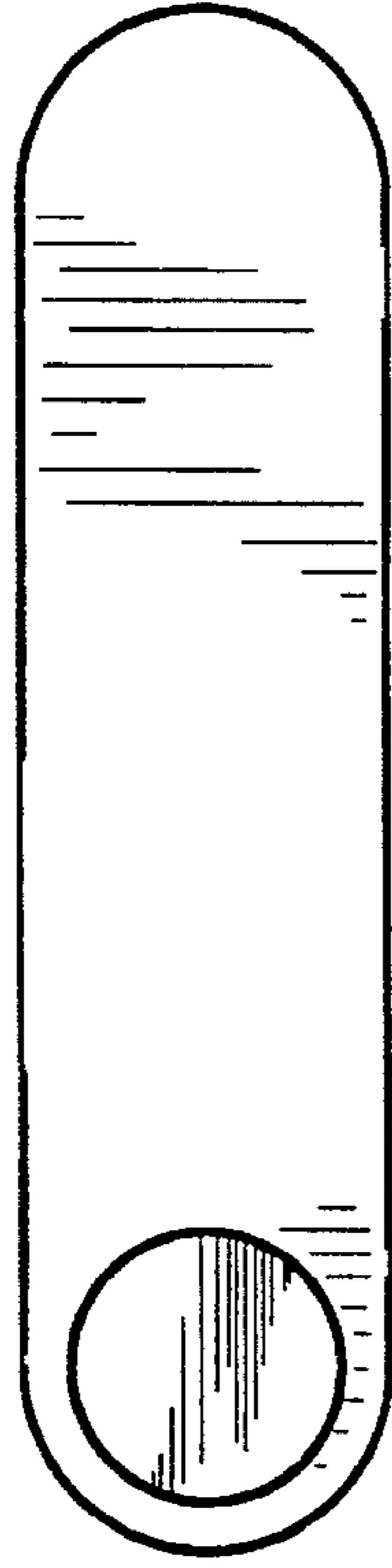


Fig.4

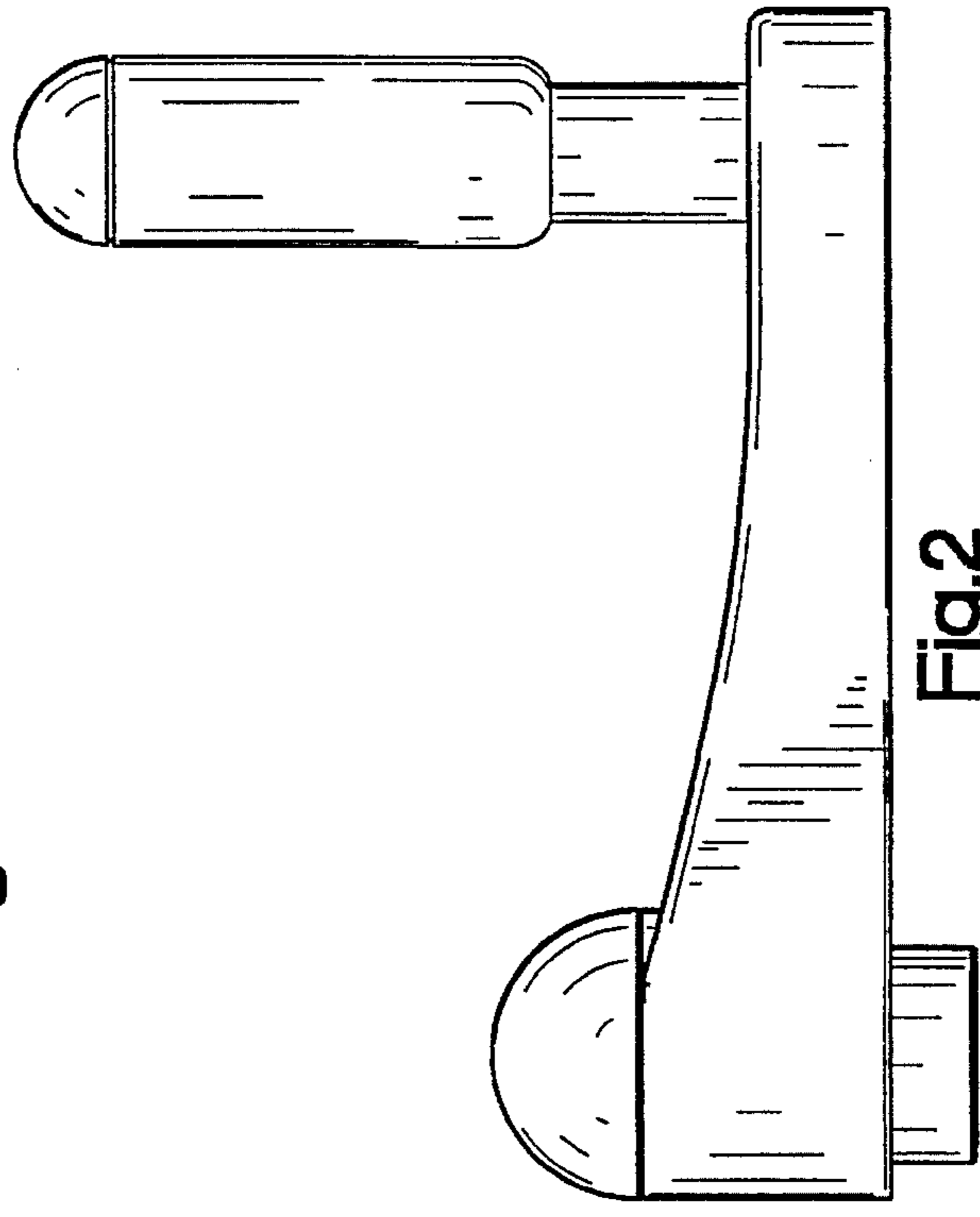


Fig.2

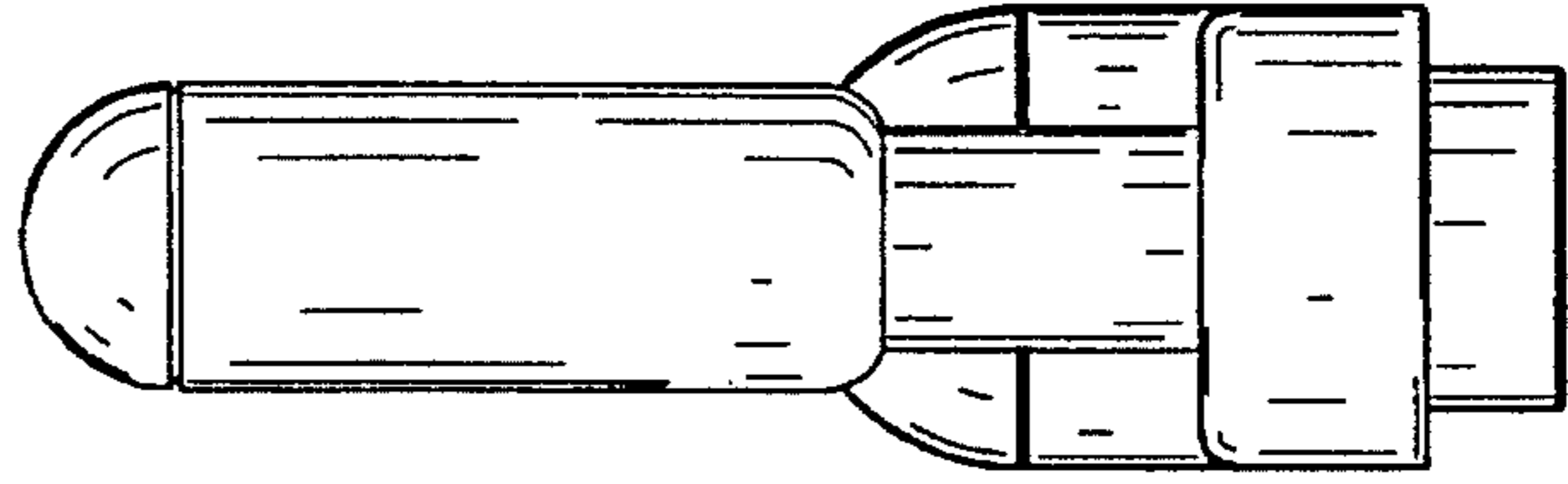


Fig.5

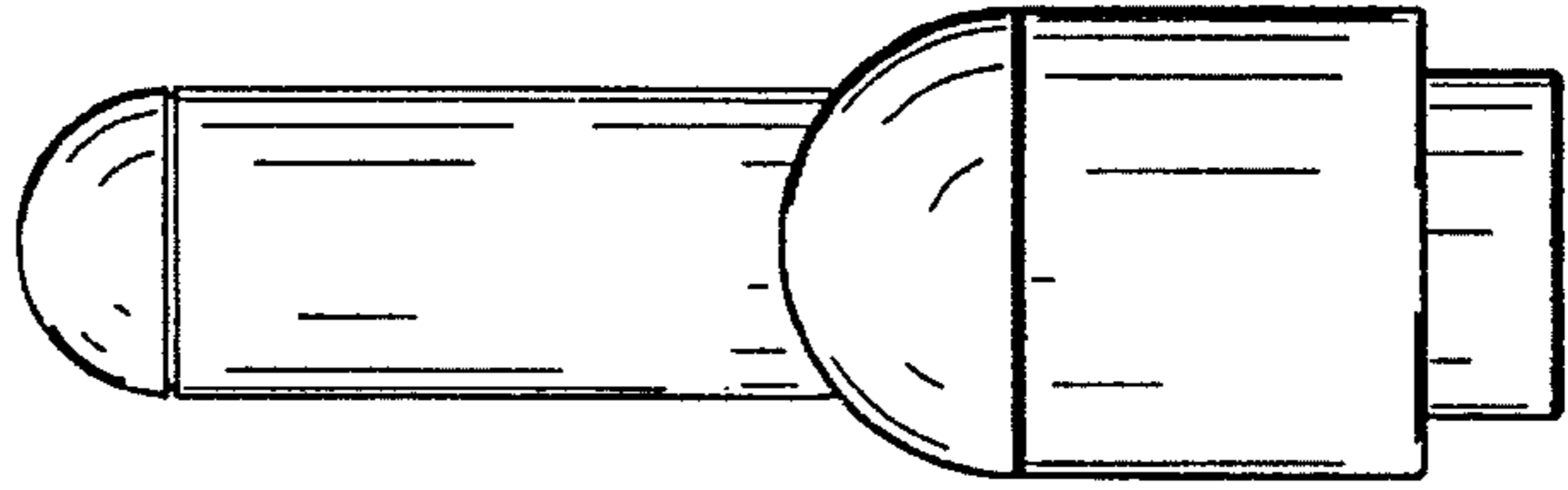


Fig.6