



US00D369964S

United States Patent [19]

[11] **Patent Number: Des. 369,964**

Decursu et al.

[45] **Date of Patent: **May 21, 1996**

[54] **HANDLE WITH PUSH BUTTON**

[75] Inventors: **Giorgio Decursu; Alberto Bertani,**
both of Milan, Italy

[73] Assignee: **Elesa S.p.A.,** Milan, Italy

[**] Term: **14 Years**

[21] Appl. No.: **29,282**

[22] Filed: **Oct. 3, 1994**

[30] **Foreign Application Priority Data**

Apr. 5, 1994 [XH] Hague Agreement DM/029270

[52] **U.S. Cl.** **D8/302; D8/308**

[58] **Field of Search** **D8/300, 302, 308;**
16/110 R, 114 R, 116 R, DIG. 18, DIG. 19;
70/DIG. 73; 74/543, 545; 81/489; 292/DIG. 6,
DIG. 68

[56] **References Cited**

U.S. PATENT DOCUMENTS

| | | | | |
|------------|---------|----------------|-------|------------|
| D. 197,050 | 12/1963 | Orenstein | | D8/308 X |
| D. 198,029 | 4/1964 | Collins, Jr. | | D8/308 |
| D. 287,458 | 12/1986 | Decursu | . | |
| D. 356,241 | 3/1995 | Decursu | . | |
| 2,402,407 | 6/1946 | Jakeway | | 16/110 R X |
| 2,433,993 | 1/1948 | Jakeway et al. | | 74/545 X |

OTHER PUBLICATIONS

Standards Elesa Catalogue 121-Eng, Model No. MR., p. 110
Standards Elesa Catalogue 121-Eng, Model No. MR. p. p.
112 date unknown.

Standards Elesa Catalogue 121-Eng, Model No. MRX., p.
114 date unknown.

Standards Elesa Catalogue 121-Eng, Model No. MRX.p, p.
116 date unknown.

Standards Elesa Catalogue 121-Eng, Model No. MRX.s, p.
118 date unknown.

Standards Elesa Catalogue 121-Eng, Model No. MRX.S-p,
p. 119 date unknown.

Primary Examiner—Ted Shooman

Assistant Examiner—Dominic Simone

Attorney, Agent, or Firm—Pearne, Gordon, McCoy &
Granger

[57] **CLAIM**

The ornamental design for a handle with a push button, as
shown and described.

DESCRIPTION

FIG. 1 is a perspective view of a handle with a push button,
showing our new design;

FIG. 2 is a front elevational view thereof;

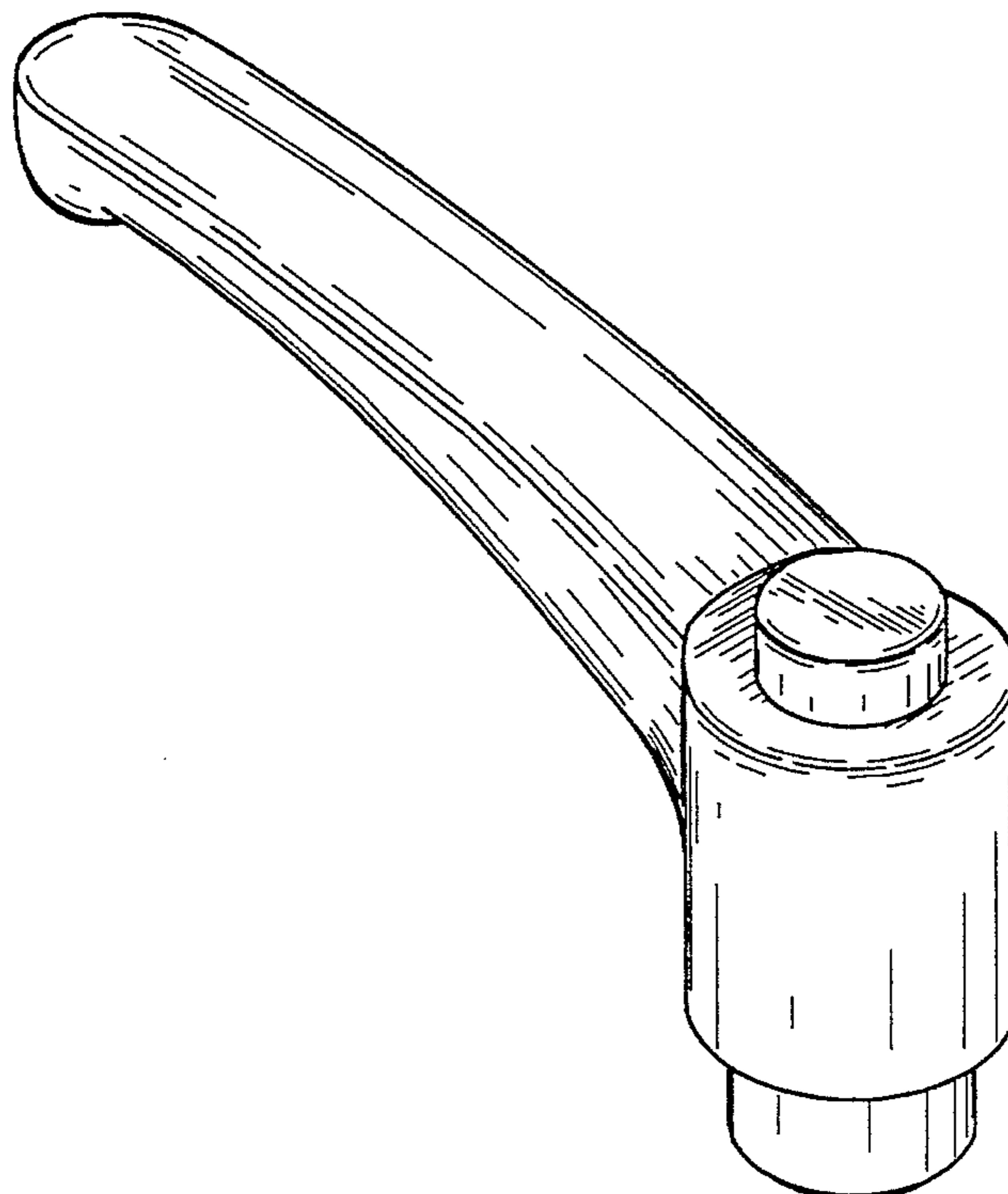
FIG. 3 is a top plan view thereof;

FIG. 4 is a bottom plan view thereof;

FIG. 5 is a right side elevational view thereof; and,

FIG. 6 is a left side elevational view thereof.

1 Claim, 1 Drawing Sheet



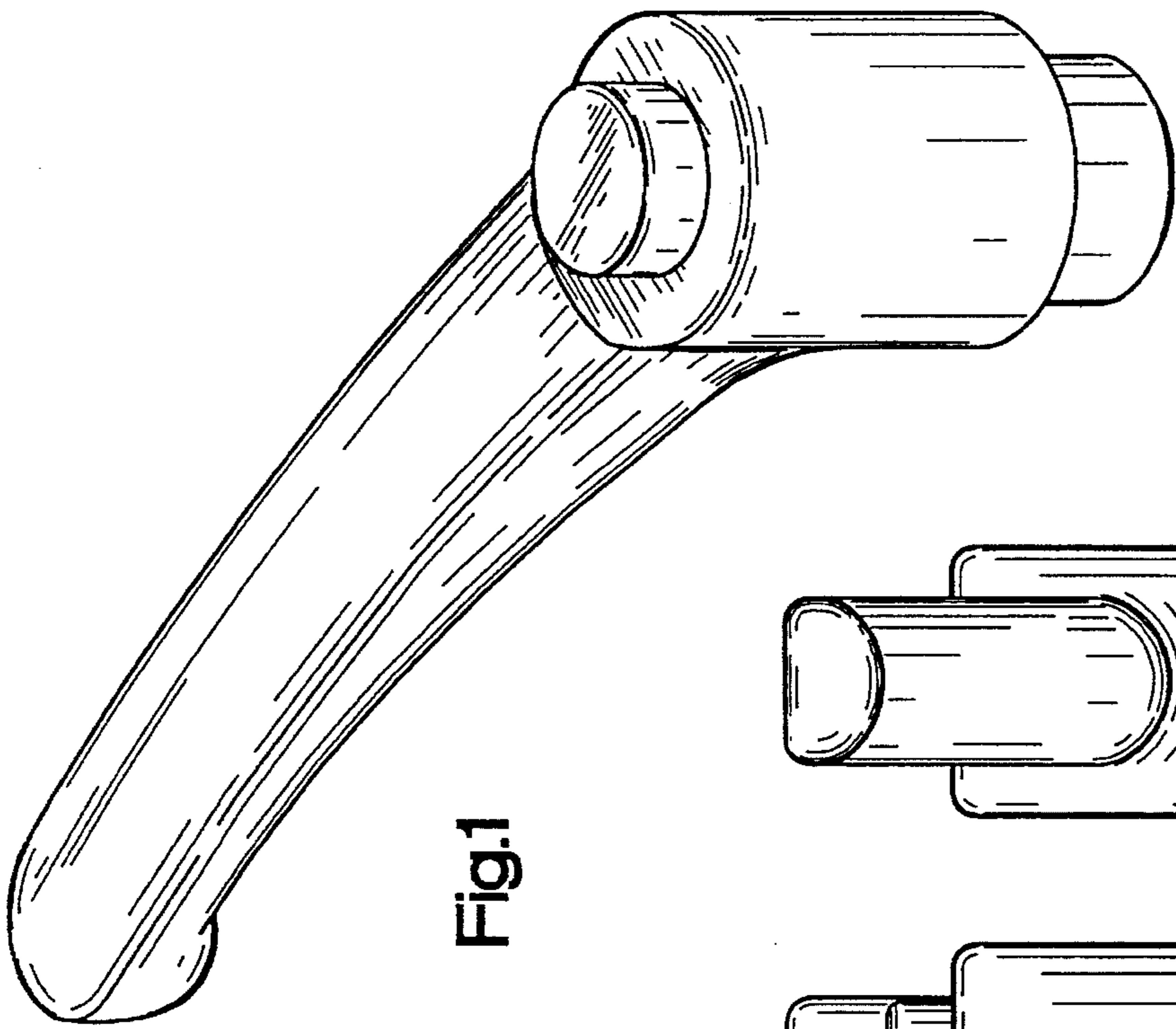


Fig.1

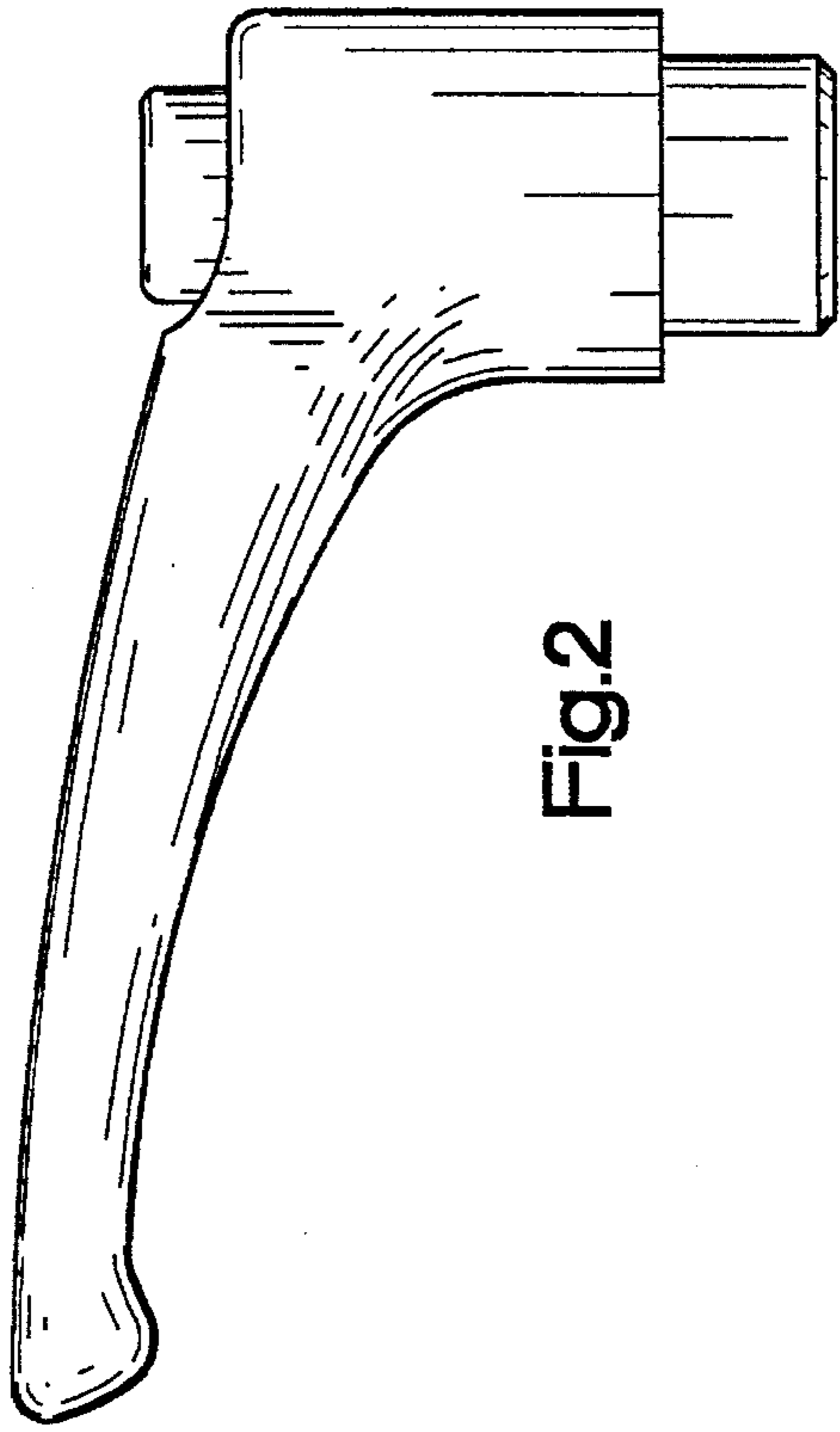


Fig.2

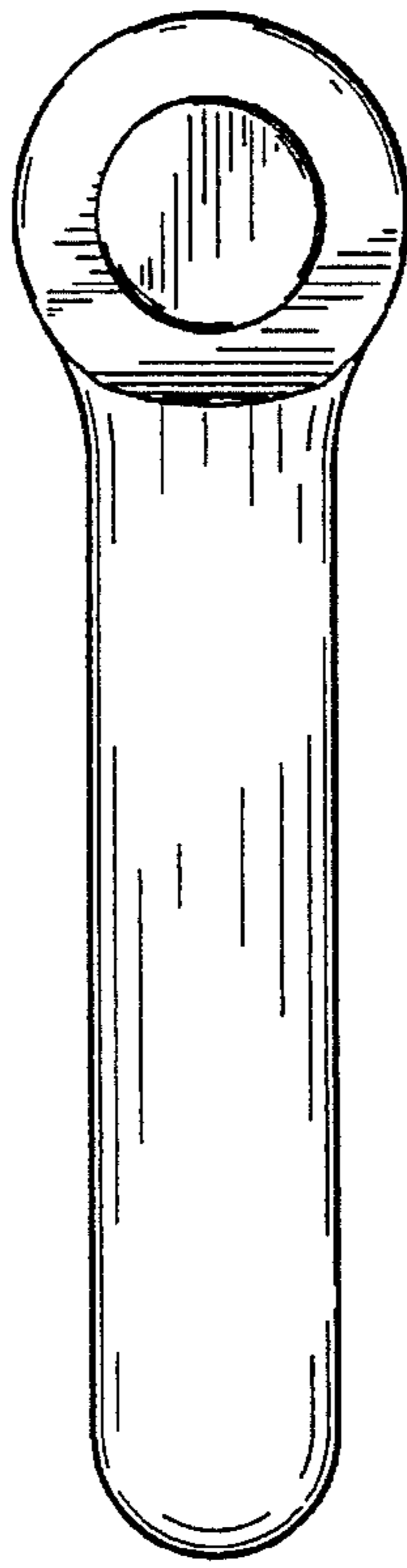


Fig.3

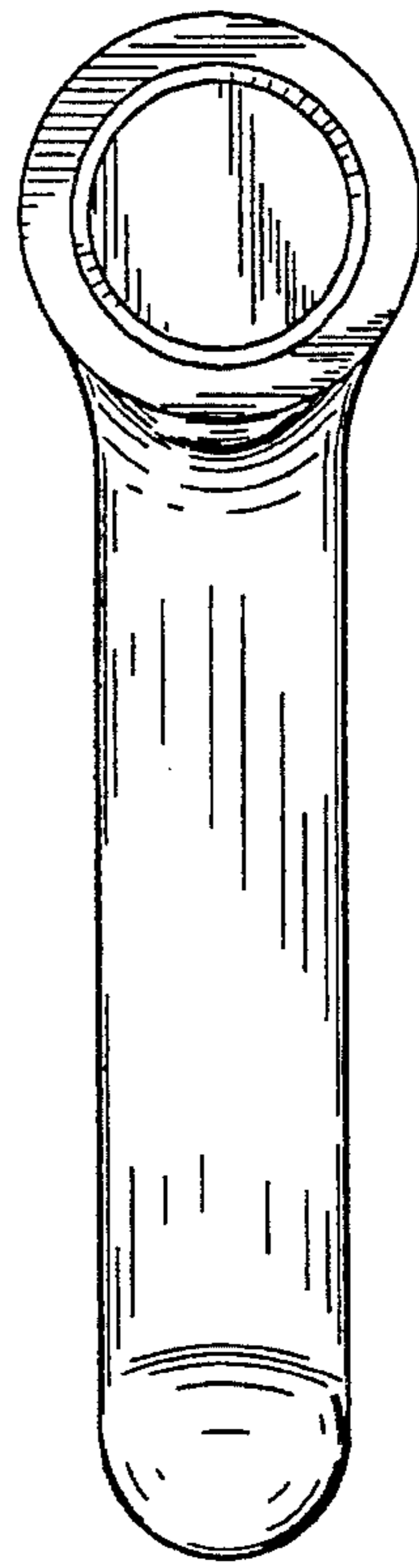


Fig.4

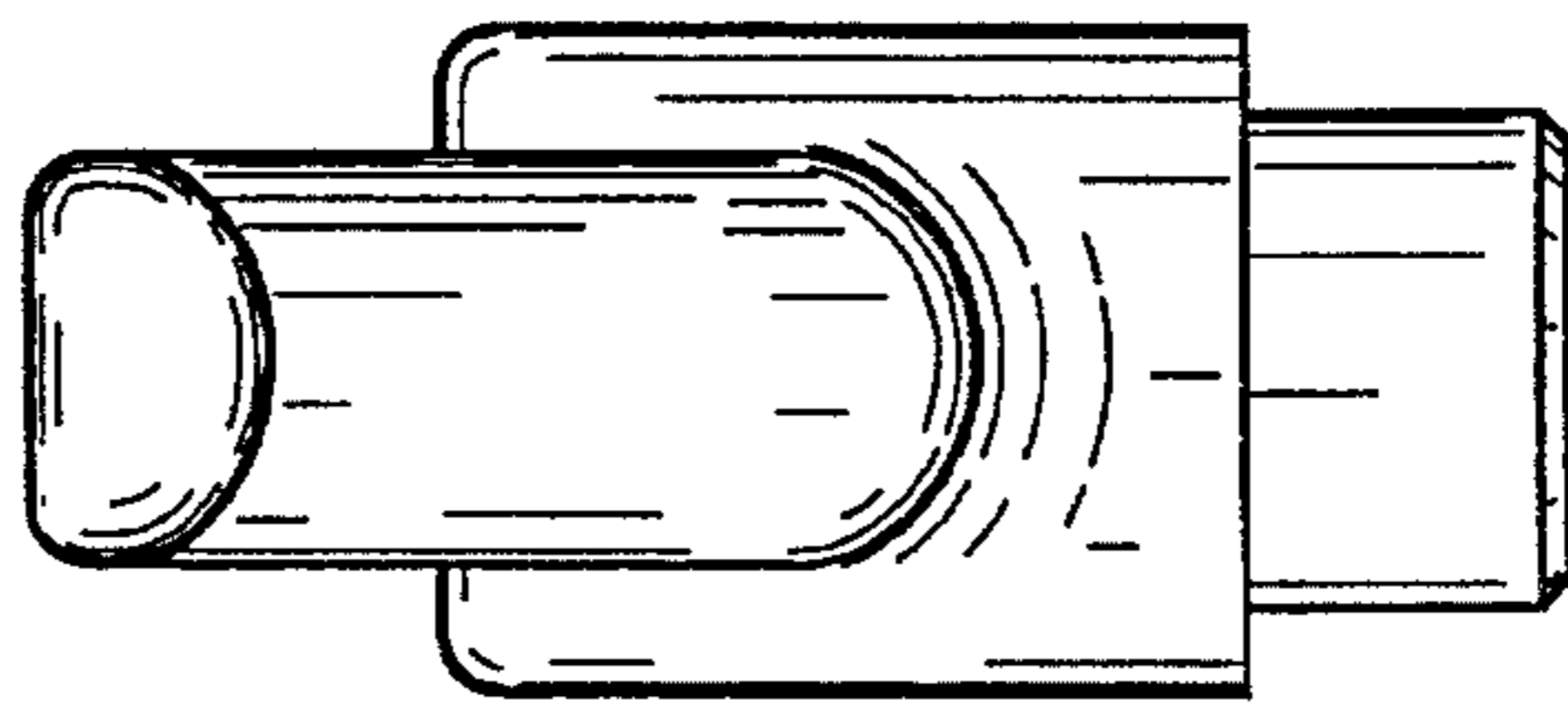


Fig.6

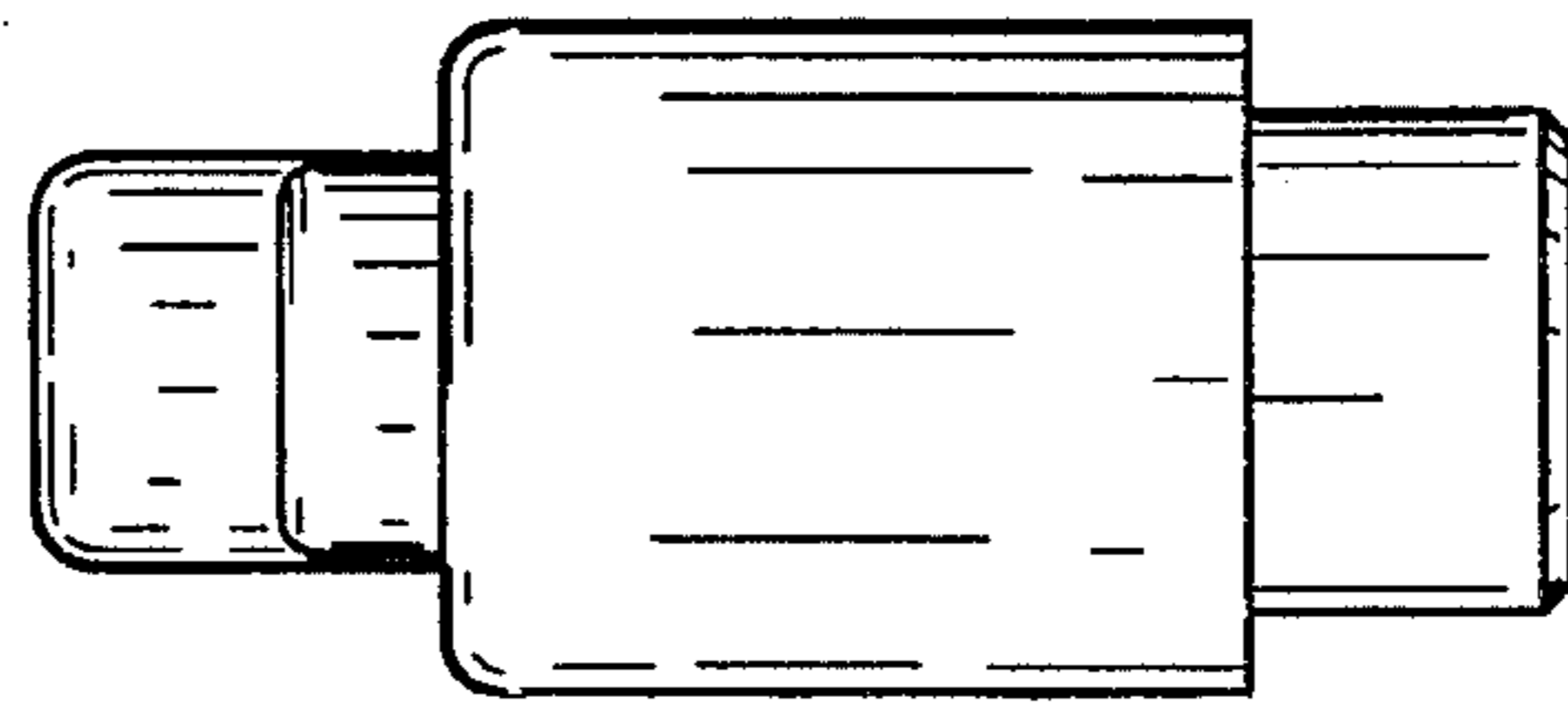


Fig.5