



US00D369963S

United States Patent [19]
Guthrie

[11] **Patent Number: Des. 369,963**

[45] **Date of Patent: **May 21, 1996**

[54] **PAINT GUIDING TOOL**

4,962,722 10/1990 Thompson 118/504
5,103,762 4/1992 Long et al. 118/504

[76] Inventor: **Sheldon W. Guthrie**, 2019 Dartmouth St., Terrytown, La. 70056

Primary Examiner—Philip G. Hyder
Attorney, Agent, or Firm—Richard C. Litman

[**] Term: **14 Years**

[57] **CLAIM**

[21] Appl. No.: **32,782**

The ornamental design for a paint guiding tool, as shown and described.

[22] Filed: **Dec. 28, 1994**

[52] U.S. Cl. **D8/51**

DESCRIPTION

[58] **Field of Search** D8/14, 51, 52;
118/504, 505, 301

FIG. 1 is a perspective view of a paint guiding tool showing my new design;

FIG. 2 is a right side elevational view, with the left side being a mirror image thereof;

FIG. 3 is a front elevational view thereof;

FIG. 4 is a top view, with the bottom view being a mirror image thereof;

FIG. 5 is a rear view thereof; and,

FIG. 6 is a perspective view thereof.

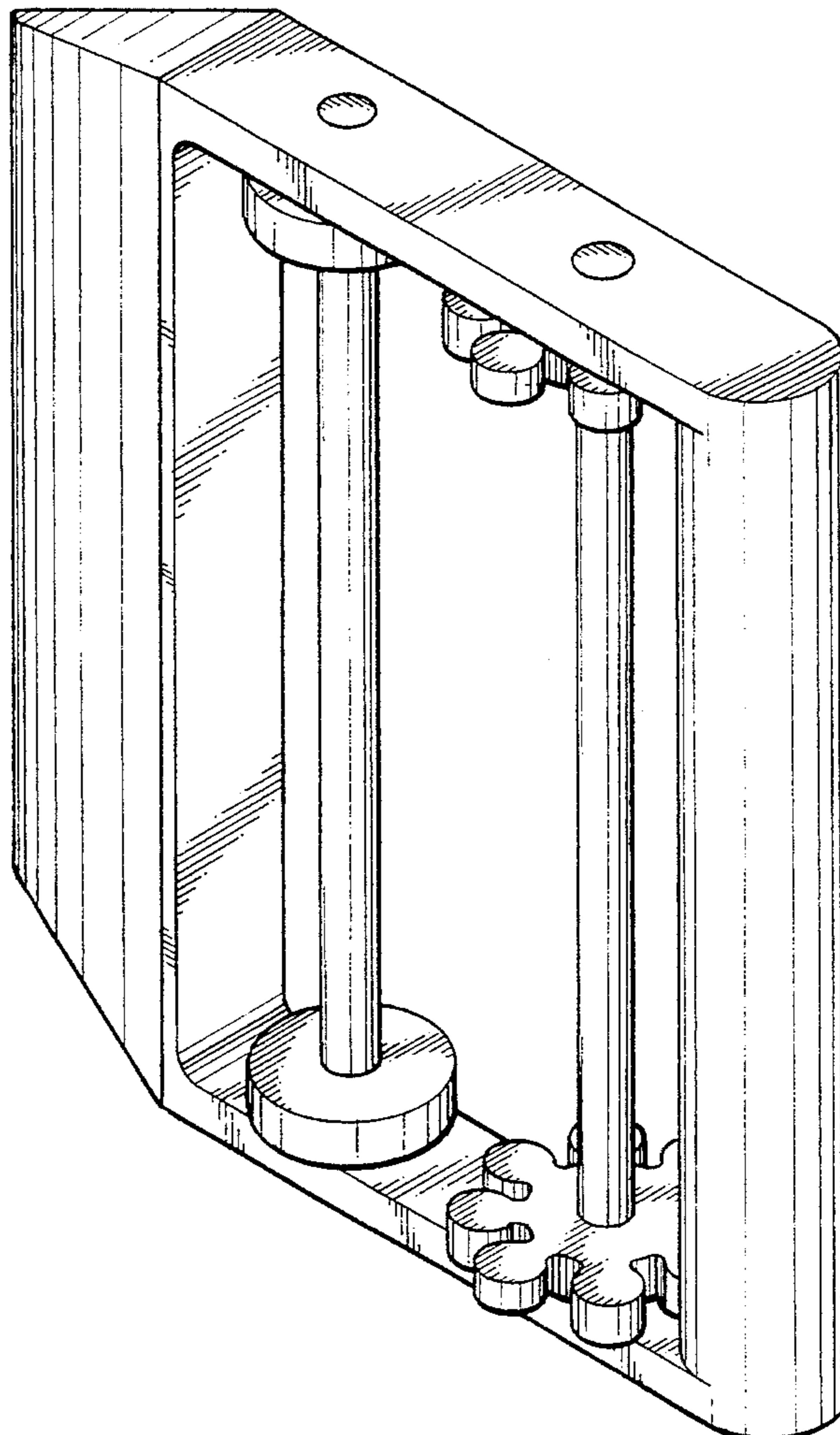
The broken line portions of FIGS. 4 and 6 are for illustrative purposes only and form no part of the claimed design.

[56] **References Cited**

U.S. PATENT DOCUMENTS

2,545,638	3/1951	Wheatley	118/504
3,039,433	6/1962	Kormuth	118/505
3,434,458	3/1969	Huff et al.	.	
3,584,599	6/1971	Chastain et al.	118/301
3,942,472	3/1976	McAlister	118/504
4,051,808	10/1977	Trupp	118/504
4,217,854	8/1980	Brown	118/504
4,241,693	12/1980	Shotwell	118/504
4,574,731	3/1986	Stevens et al.	118/504

1 Claim, 4 Drawing Sheets



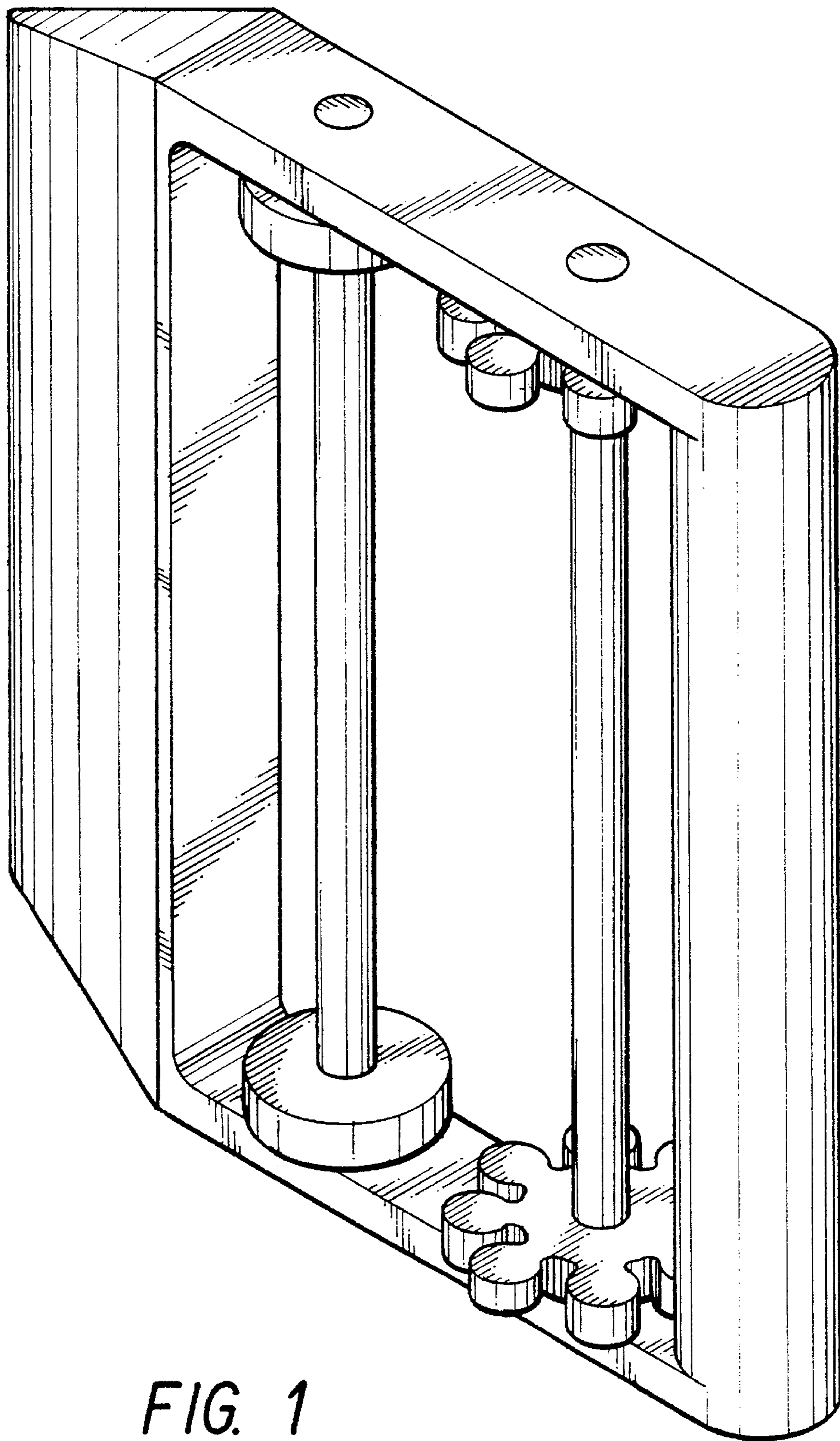


FIG. 1

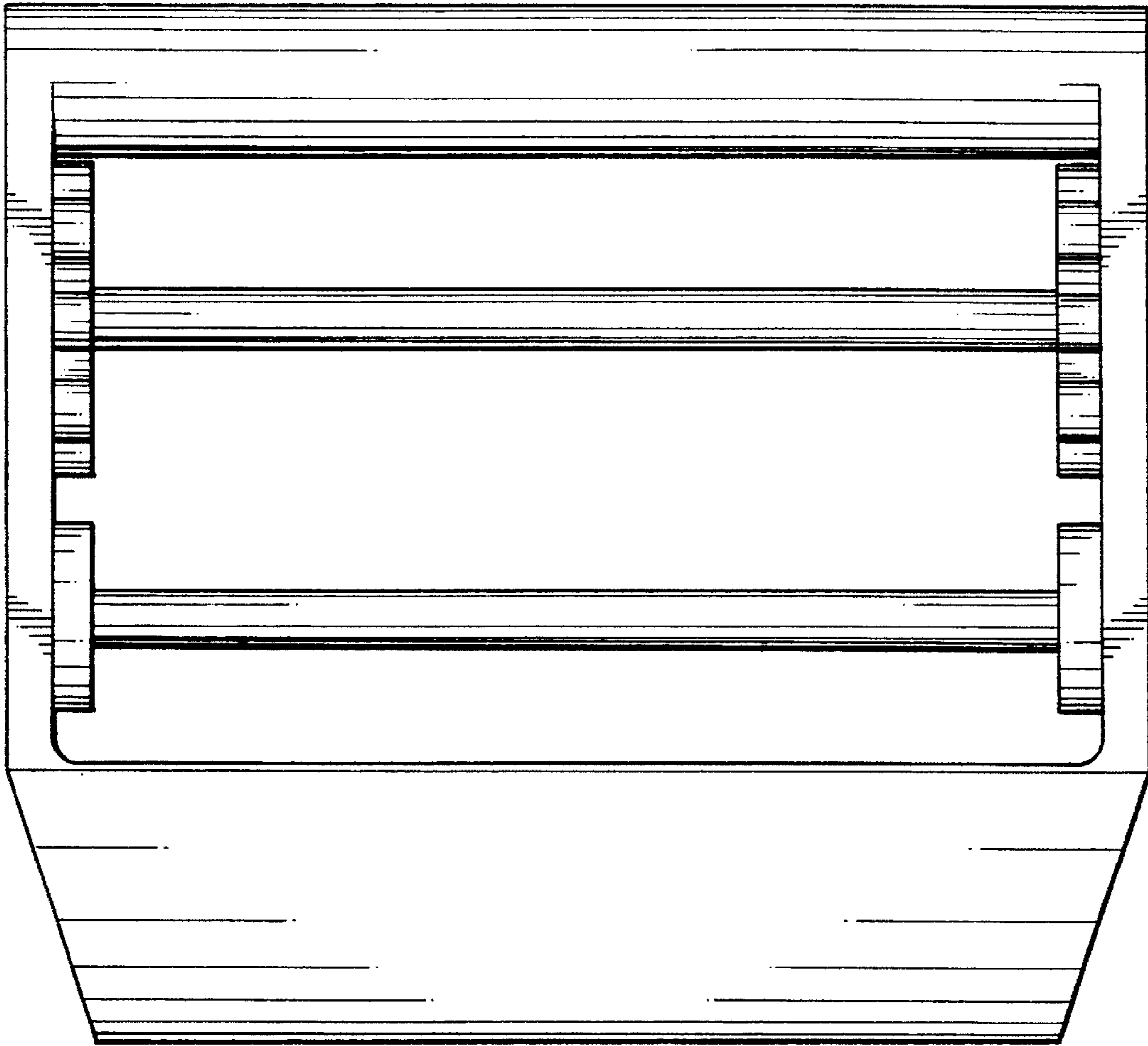


FIG. 2

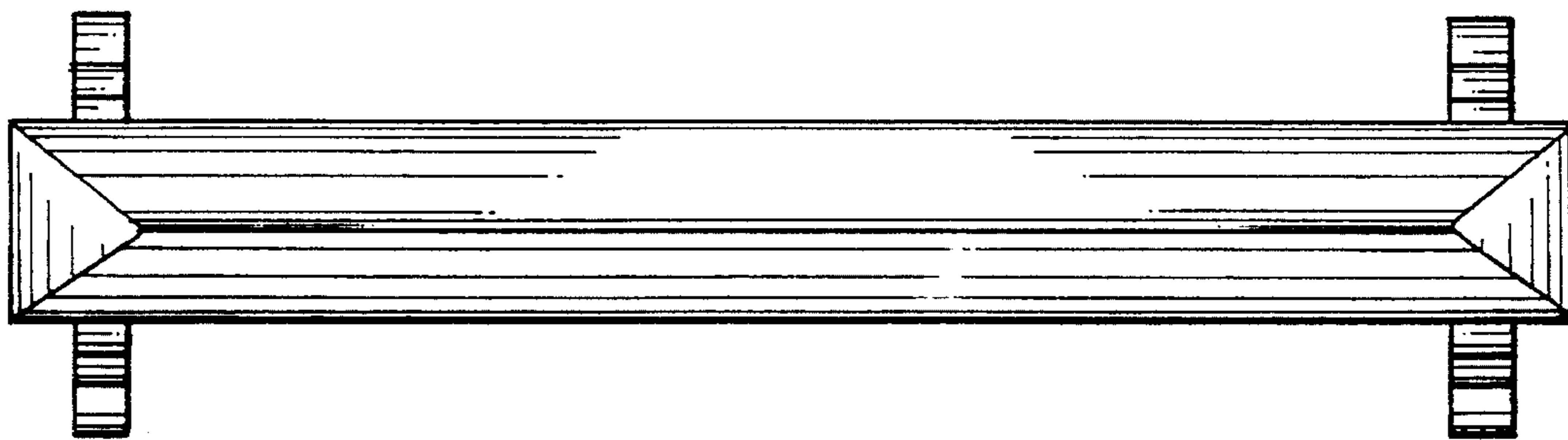


FIG. 3

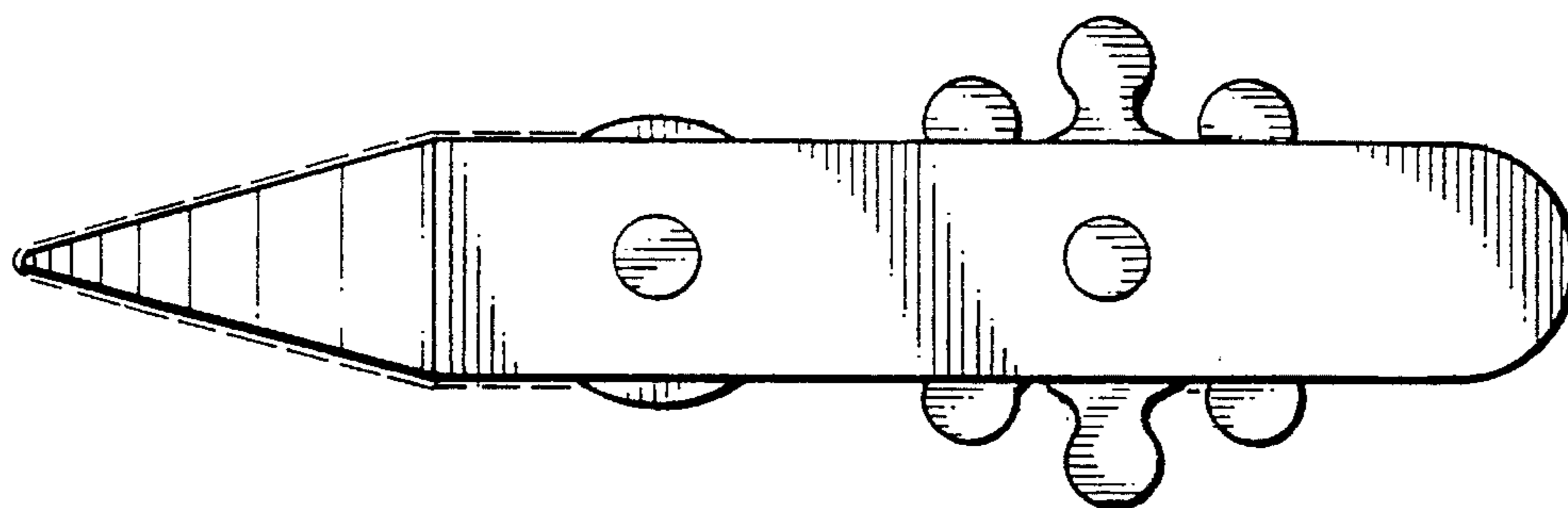


FIG. 4

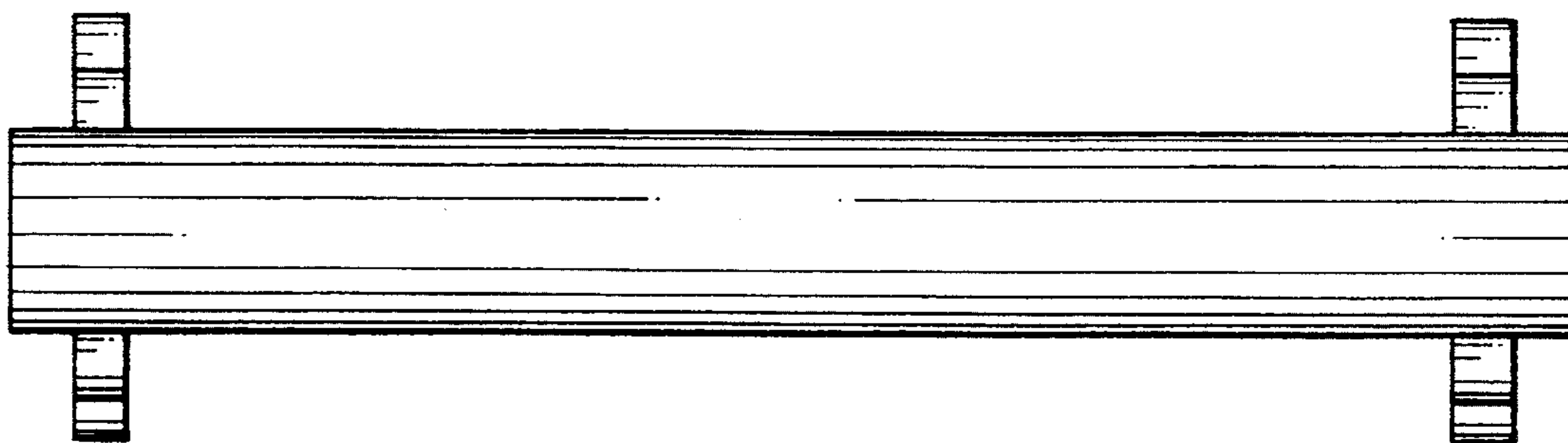


FIG. 5

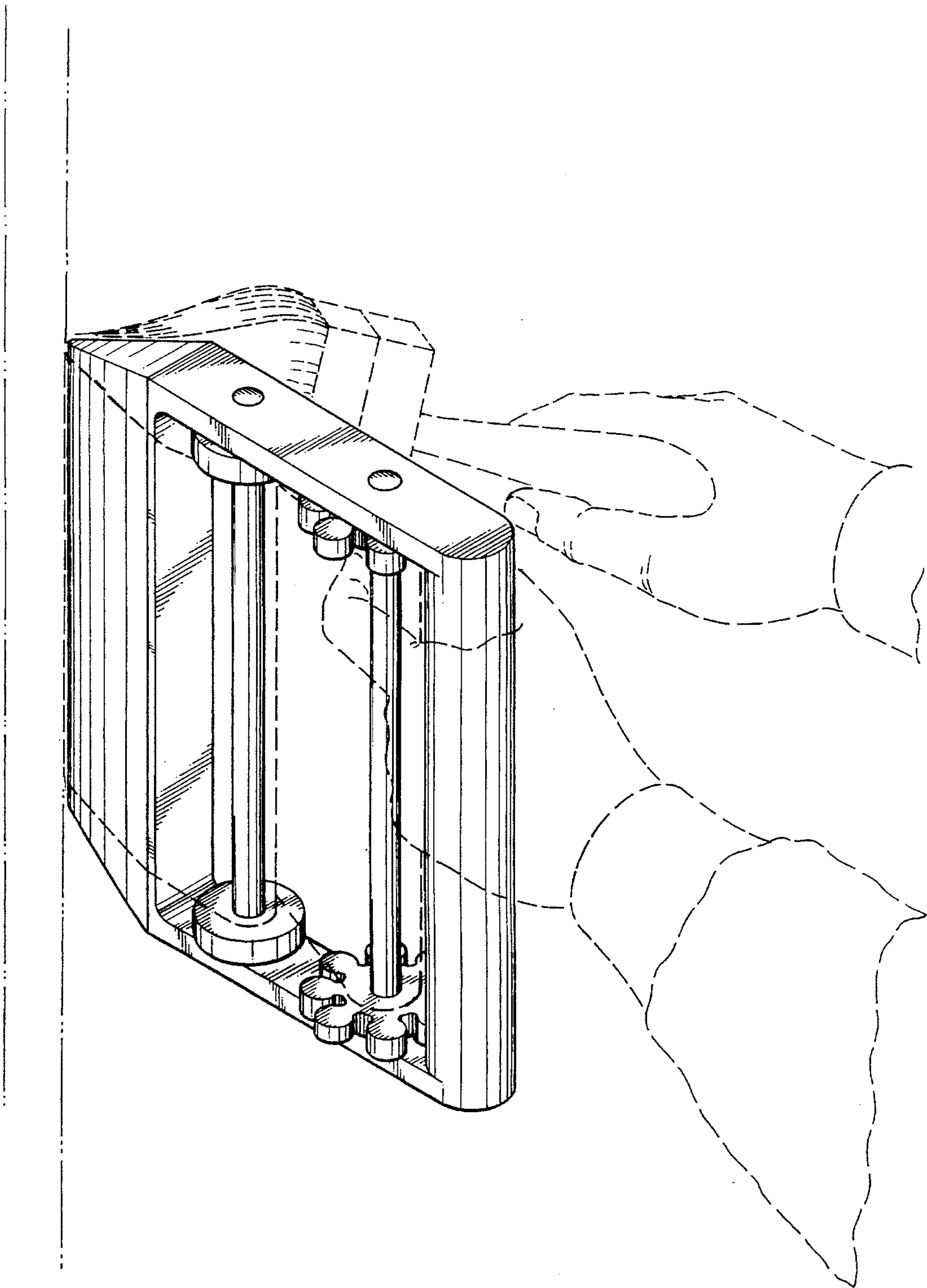


FIG. 6