



US00D369961S

**United States Patent** [19]  
**Hedtke**

[11] **Patent Number: Des. 369,961**

[45] **Date of Patent: \*\*May 21, 1996**

[54] **LIGHT HANGING TOOL**

FOREIGN PATENT DOCUMENTS

[76] Inventor: **Michael E. Hedtke**, 5301 Maple La.,  
Colleyville, Tex. 76034

561564 10/1923 France ..... 81/53.11

[\*\*] Term: **14 Years**

*Primary Examiner*—Ted Shooman  
*Assistant Examiner*—Richelle Shelton  
*Attorney, Agent, or Firm*—James E. Bradley; Mark W. Handley

[21] Appl. No.: **26,638**

[57] **CLAIM**

[22] Filed: **Aug. 2, 1994**

[52] U.S. Cl. .... **D8/14; D11/121**

The ornamental design for the light hanging tool, as shown and described.

[58] **Field of Search** ..... D8/14; D11/121;  
81/53.1, 53.11, 53.12, 489; 29/764; 294/19.1

**DESCRIPTION**

[56] **References Cited**

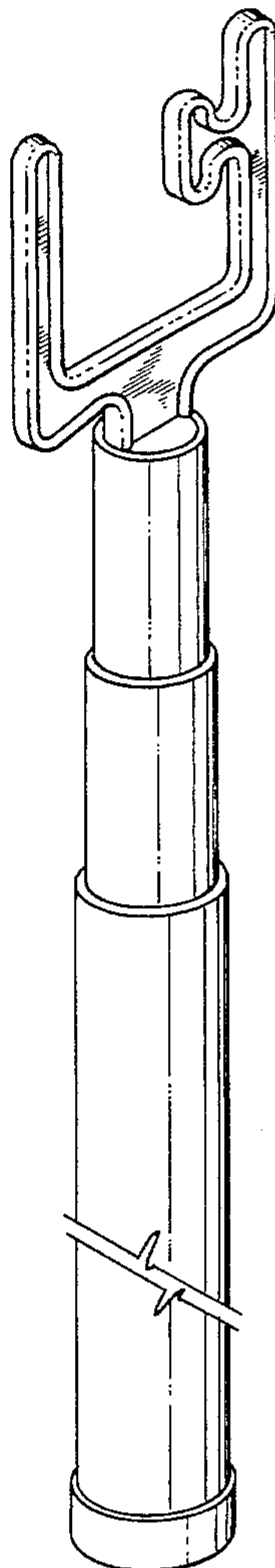
FIG. 1 is a front elevational view of a light hanging tool showing my new design; the vertical shaft of the light hanging device is shown broken away to indicate indeterminate length;

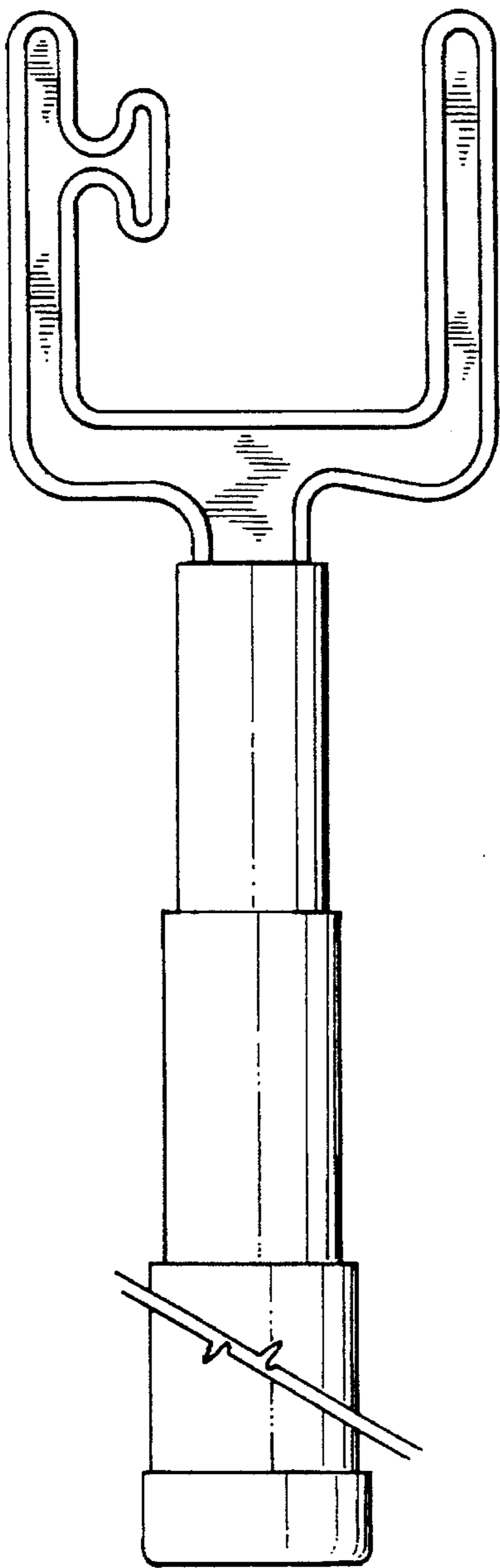
**U.S. PATENT DOCUMENTS**

40,271	10/1863	Lilley .	
551,433	12/1895	Cozens .	
1,006,721	10/1911	Clark .	
1,254,925	1/1918	Morse .	
2,634,999	4/1953	Fjeld .....	81/53.11
4,067,871	8/1986	Kirkman .	
4,836,595	6/1980	DiCarlo .	
5,224,745	7/1993	Howell .	
5,386,744	2/1995	Garcia .....	81/53.11

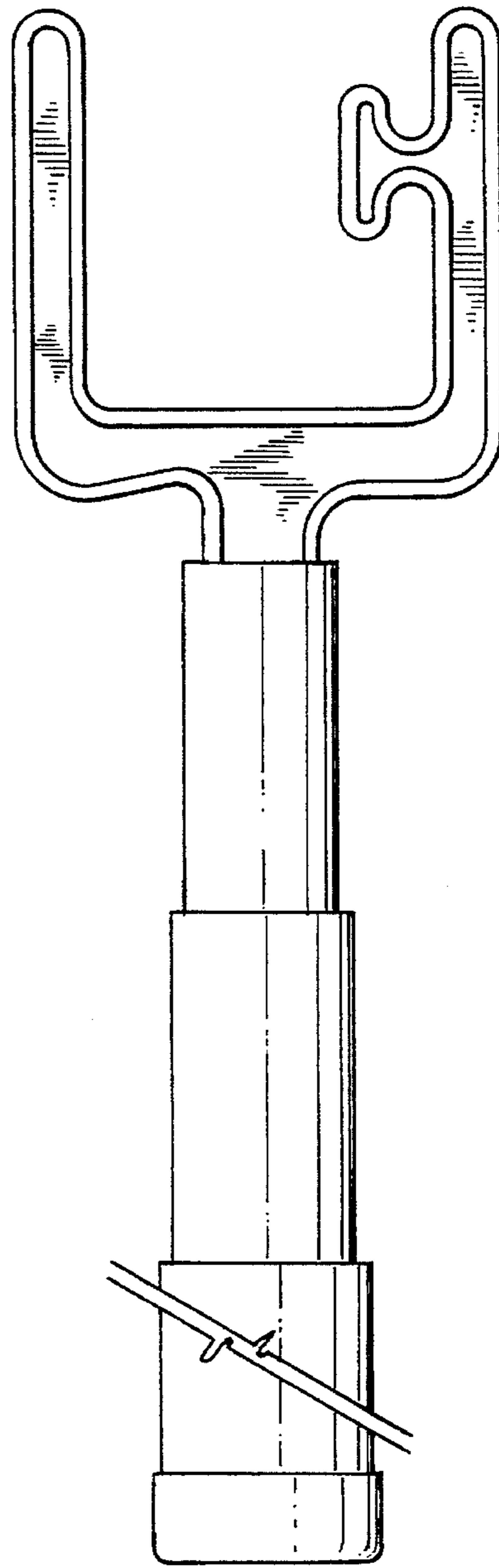
FIG. 2 is a elevational view thereof;  
FIG. 3 is a top plan view thereof;  
FIG. 4 is a bottom plan view thereof;  
FIG. 5 is a right side elevational view thereof;  
FIG. 6 is a left side elevational view thereof;  
FIG. 7 is a perspective view thereof.

**1 Claim, 2 Drawing Sheets**

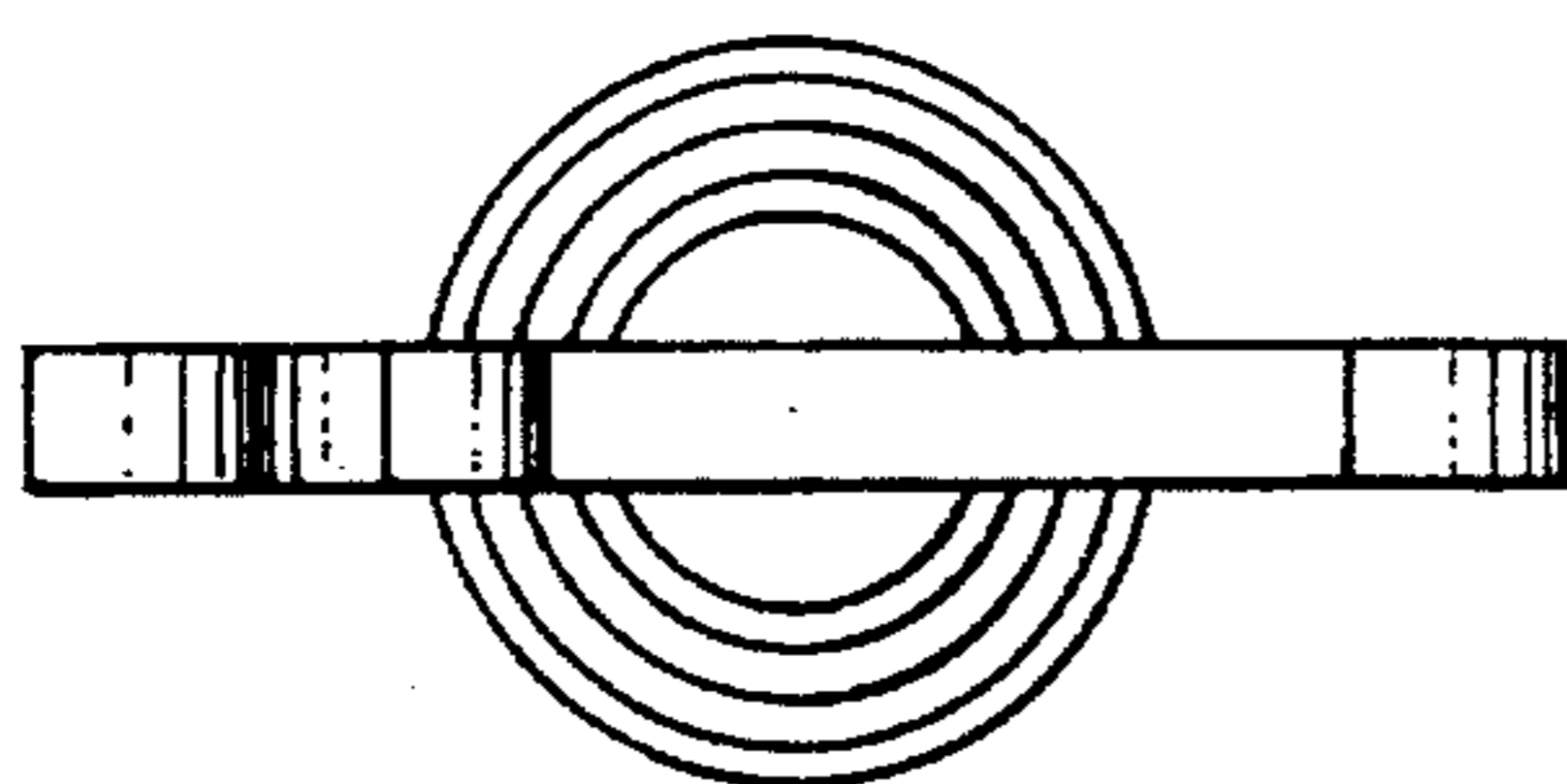




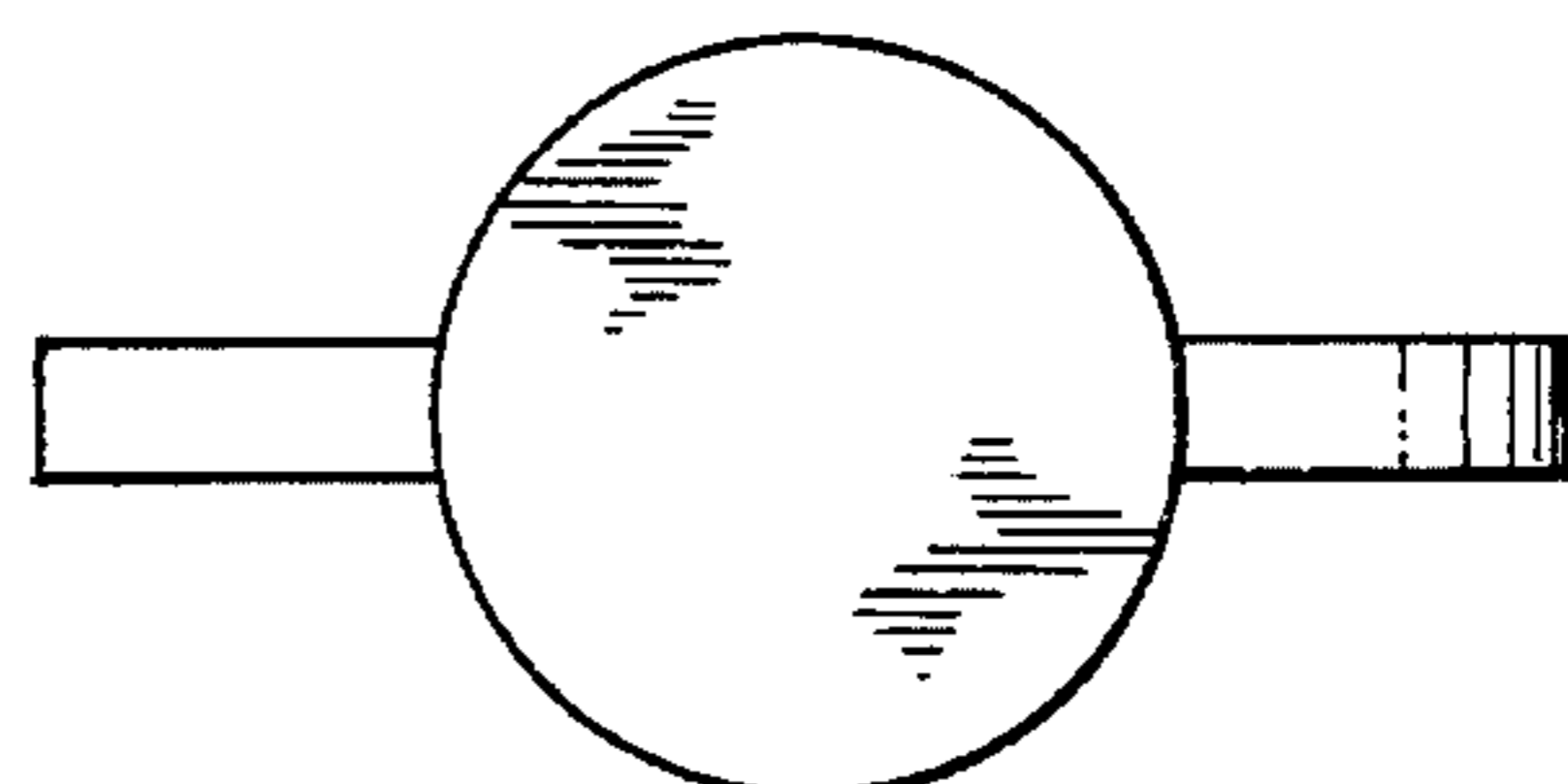
*Fig. 1*



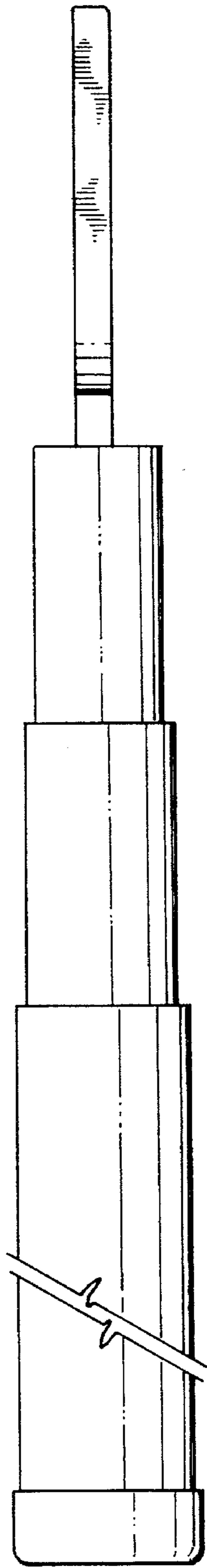
*Fig. 2*



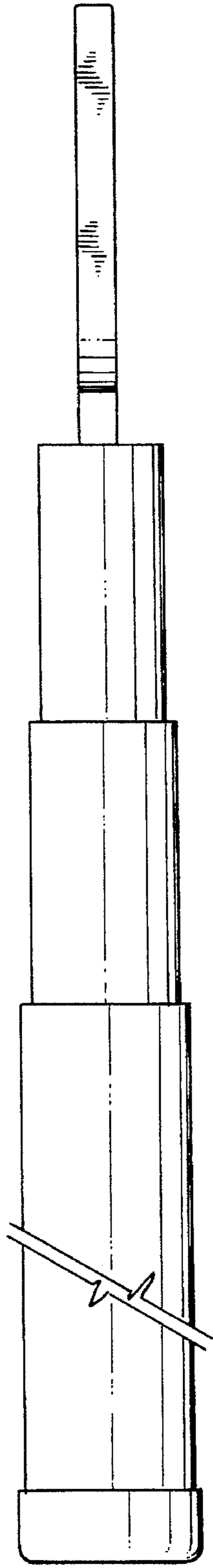
*Fig. 3*



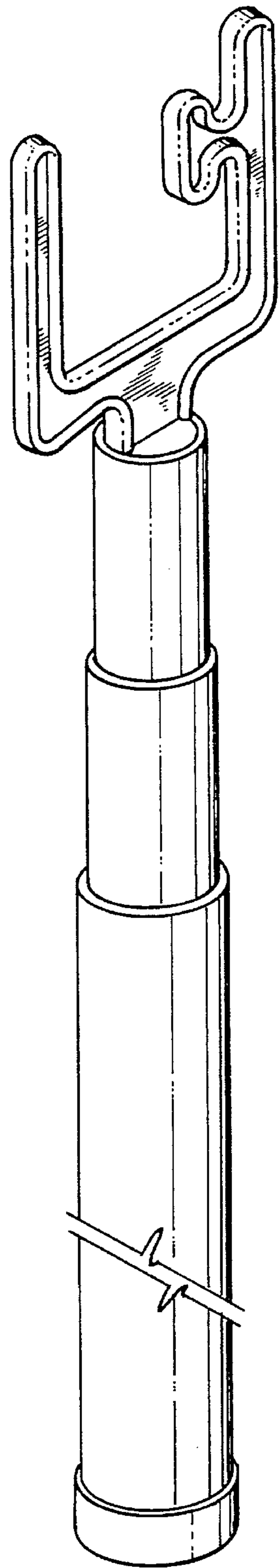
*Fig. 4*



*Fig. 5*



*Fig. 6*



*Fig. 7*