



US00D369960S

United States Patent [19]

[11] Patent Number: **Des. 369,960**

Rohaly et al.

[45] Date of Patent: ****May 21, 1996**

[54] CABLE TIE

5,414,904 5/1995 Sampson 24/30.5 P

[75] Inventors: **Joseph S. Rohaly**, Frankfort; **Paul M. Herbst**, Oak Forest, both of Ill.

Primary Examiner—B. J. Bullock
Attorney, Agent, or Firm—Mark D. Hilliard; Robert A. McCann

[73] Assignee: **Panduit Corp.**, Tinley Park, Ill.

[57] CLAIM

[**] Term: **14 Years**

The ornamental design for a cable tie, as shown and described.

[21] Appl. No.: **33,459**

DESCRIPTION

[22] Filed: **Jan. 13, 1995**

[52] U.S. Cl. **D8/396**

FIG. 1 is a fragmentary perspective view of the head the cable tie of FIGS. 3-6;

[58] Field of Search D8/394, 396; D9/435; 24/16 PB, 30.5 P; 248/74.3

FIG. 2 is a fragmentary perspective view of the head of the cable tie of FIGS. 3-6;

[56] References Cited

U.S. PATENT DOCUMENTS

- D. 205,659 9/1966 Plasecki .
- D. 205,940 10/1966 Miller .
- D. 224,960 10/1972 Wilson D8/396
- 3,186,047 6/1965 Schwester et al. .
- 3,965,538 6/1976 Caveney et al. .
- 4,580,319 4/1986 Paradis 24/16 PB

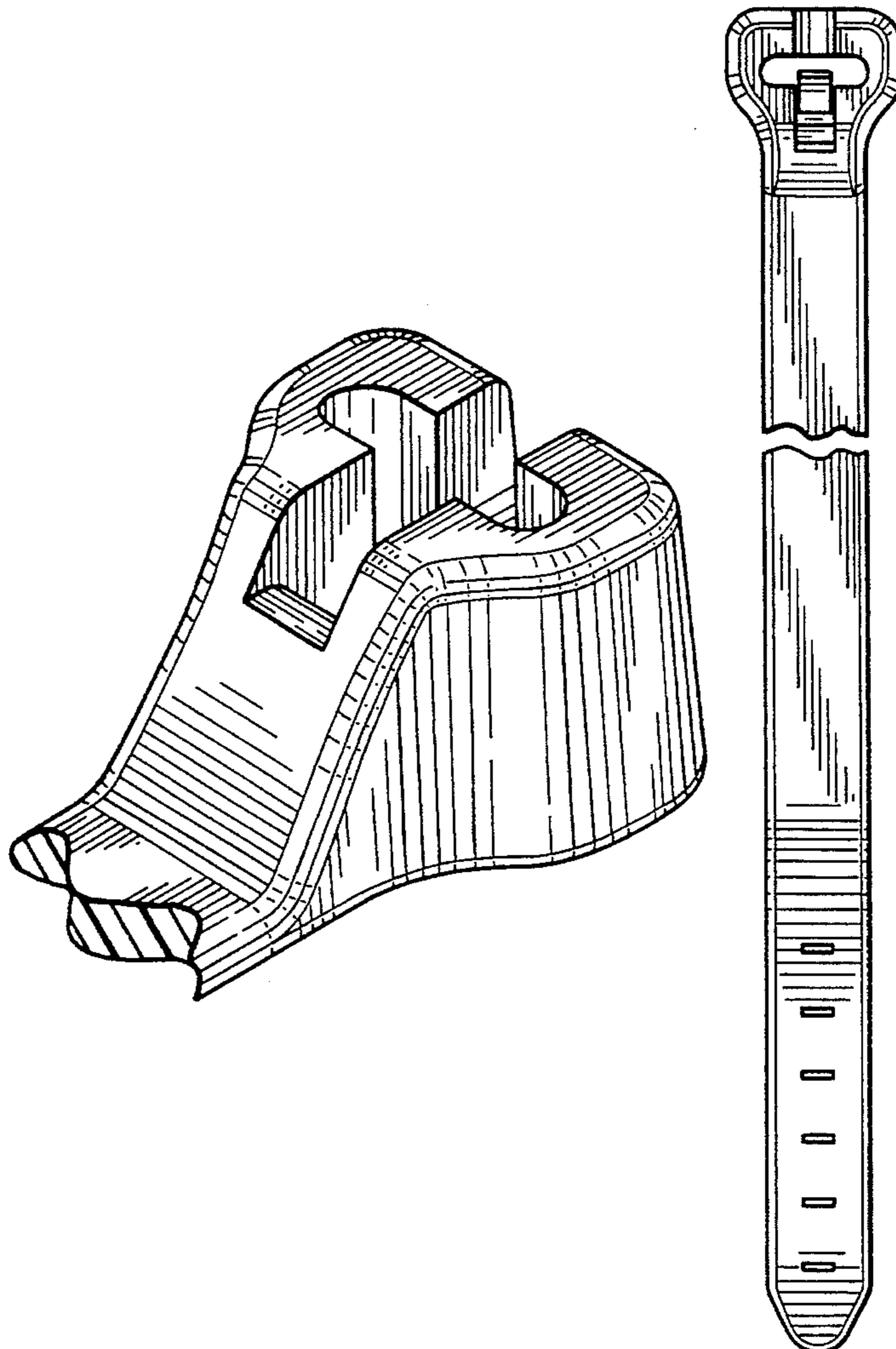
FIG. 3 is a reduced end view as seen from the top of FIG. 4;

FIG. 4 is a reduced top view of the cable tie, shown broken away to indicate indeterminate length;

FIG. 5 is a left side view of FIG. 4, the right side being a mirror image thereof; and,

FIG. 6 is a bottom view of FIG. 4.

1 Claim, 2 Drawing Sheets



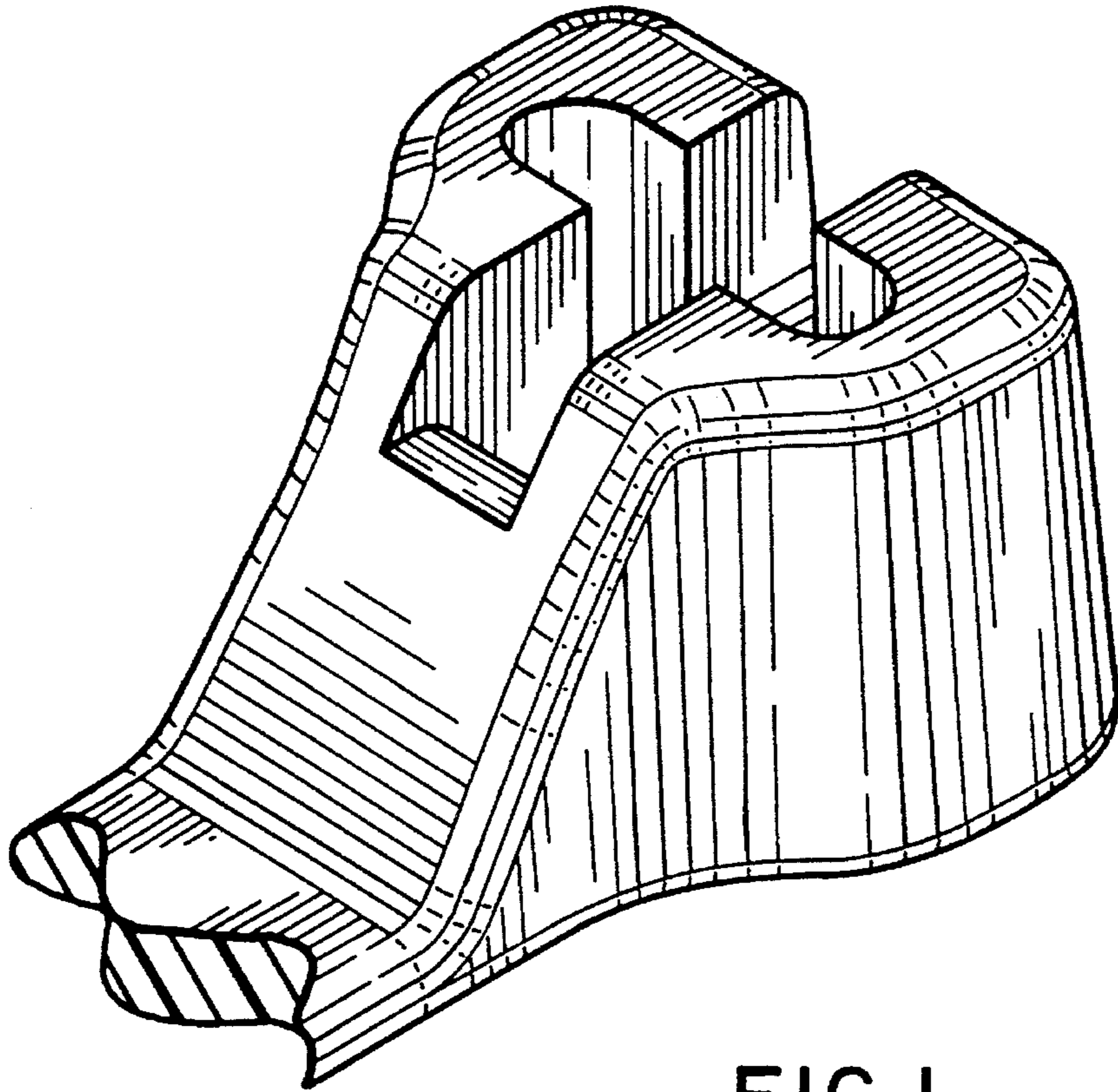


FIG. 1

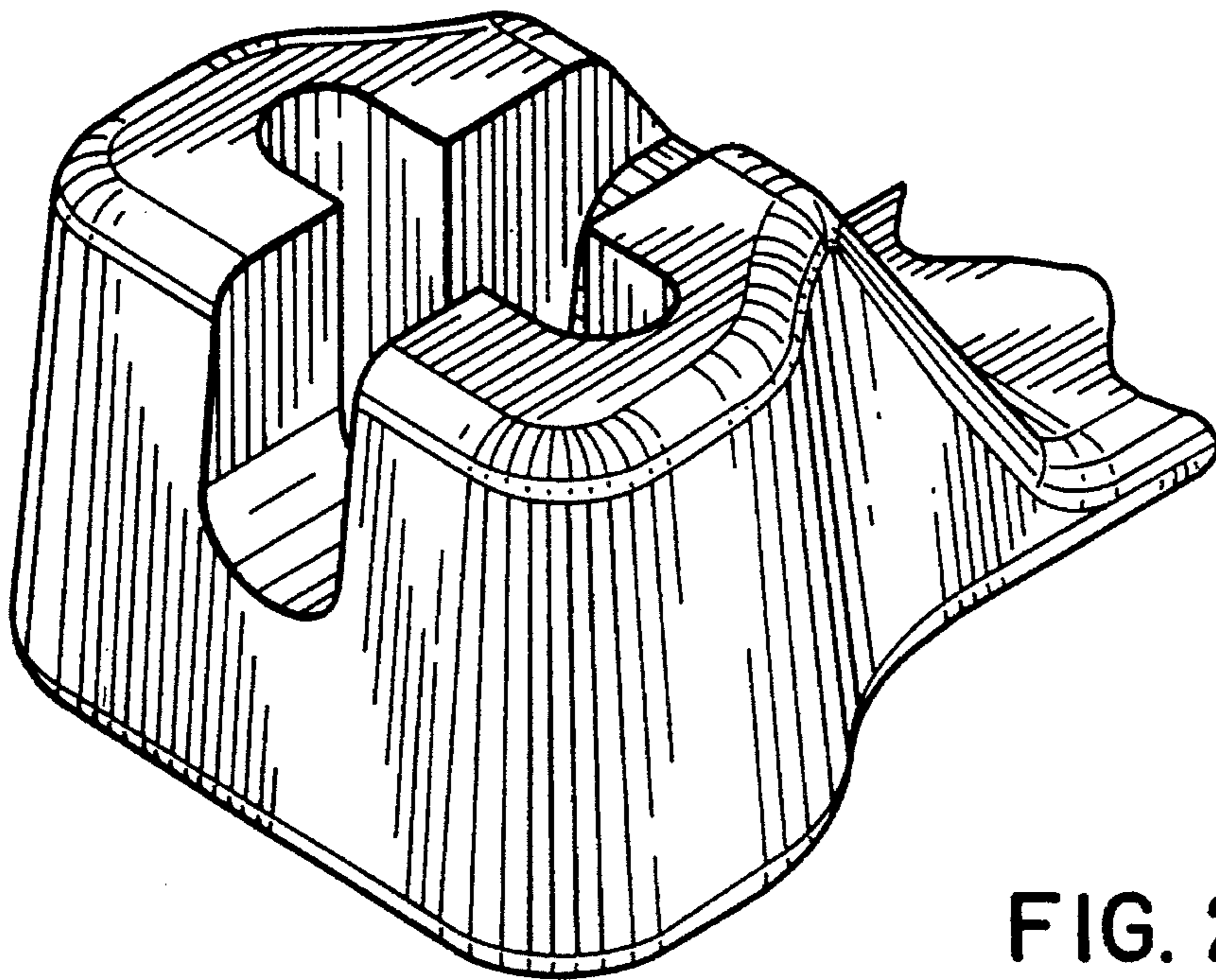


FIG. 2

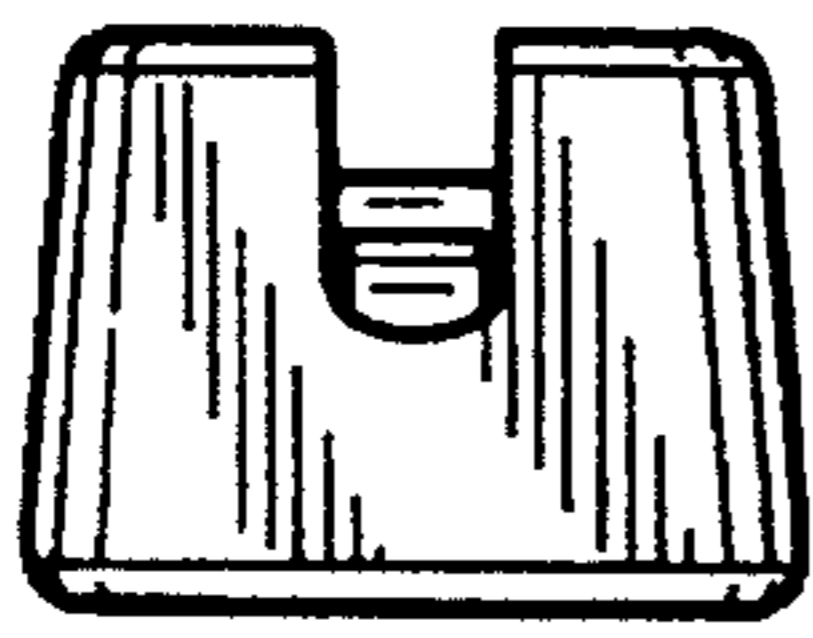


FIG. 3

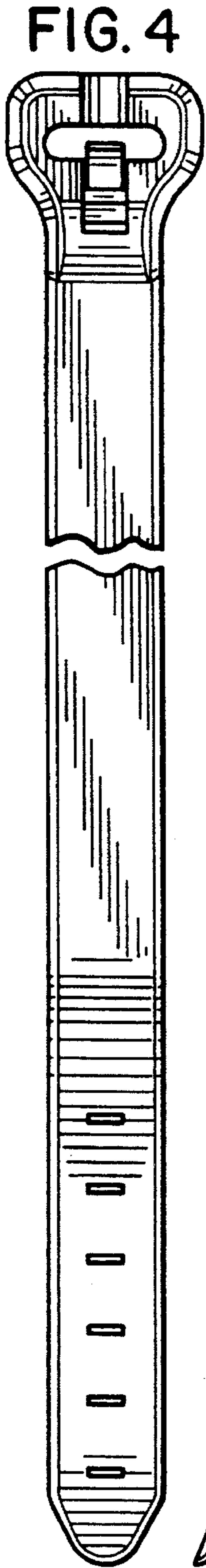


FIG. 4

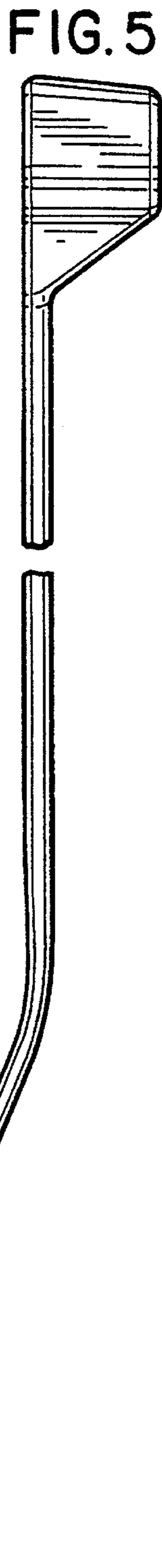


FIG. 5

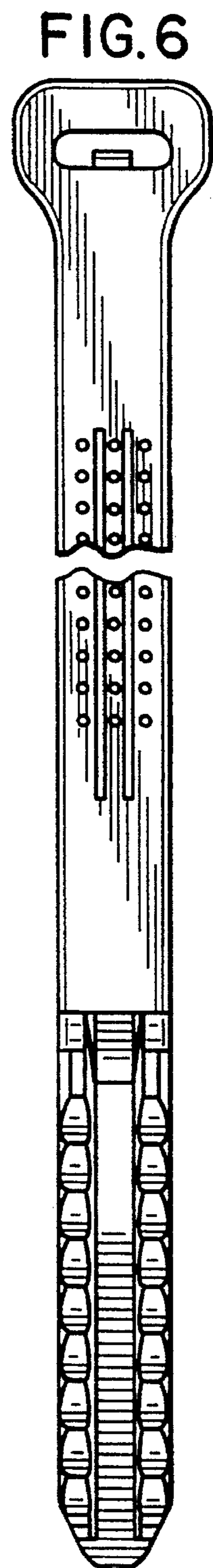


FIG. 6