



US00D369957S

United States Patent [19]

Blanton

[11] Patent Number: Des. 369,957

[45] Date of Patent: **May 21, 1996

[54] BRACKET FOR DECORATIVE LIGHTS

[76] Inventor: Fred T. Blanton, 25132 Oakhurst, No. 111, Spring, Tex. 77386-1442

[**] Term: 14 Years

[21] Appl. No.: 31,294

[22] Filed: Nov. 21, 1994

[52] U.S. Cl. D8/373; D26/138

[58] Field of Search D26/138; D8/354, D8/395, 373; 248/309.1, 206.5, 229, 674, 300; 362/190, 432

[56] References Cited

U.S. PATENT DOCUMENTS

D. 319,575	9/1991	Young	D8/395
D. 321,124	10/1991	Gary	D8/373
D. 321,125	10/1991	Gary	D8/373
D. 322,211	12/1991	Gary	D8/373
D. 324,990	3/1992	Gary	D8/354
D. 325,866	5/1992	Gary	D8/354
D. 337,851	7/1993	Gary	D26/138
3,076,627	2/1963	Huron	248/309.1
4,022,412	5/1977	Houlf	248/674
4,471,991	9/1984	Mattias	248/300 X
4,750,095	6/1988	Huang	362/290
4,795,121	1/1989	Comito	248/314
4,851,977	7/1989	Gary	362/249
4,905,131	2/1990	Gary	362/249

OTHER PUBLICATIONS

Gary Products Group, Lubbock, Texas—Product Package—Obtained At Houston, Texas—Nov. 1994.

Primary Examiner—A. Hugo Word
Assistant Examiner—Holly Baynham
Attorney, Agent, or Firm—Kenneth A. Roddy

[57] CLAIM

The ornamental design for a bracket for decorative lights, as shown and described.

DESCRIPTION

FIG. 1 is an isometric view of a first embodiment of a bracket for decorative lights showing my new design from the top and one end;

FIG. 2 is an isometric view thereof shown from the top and end opposite that of FIG. 1;

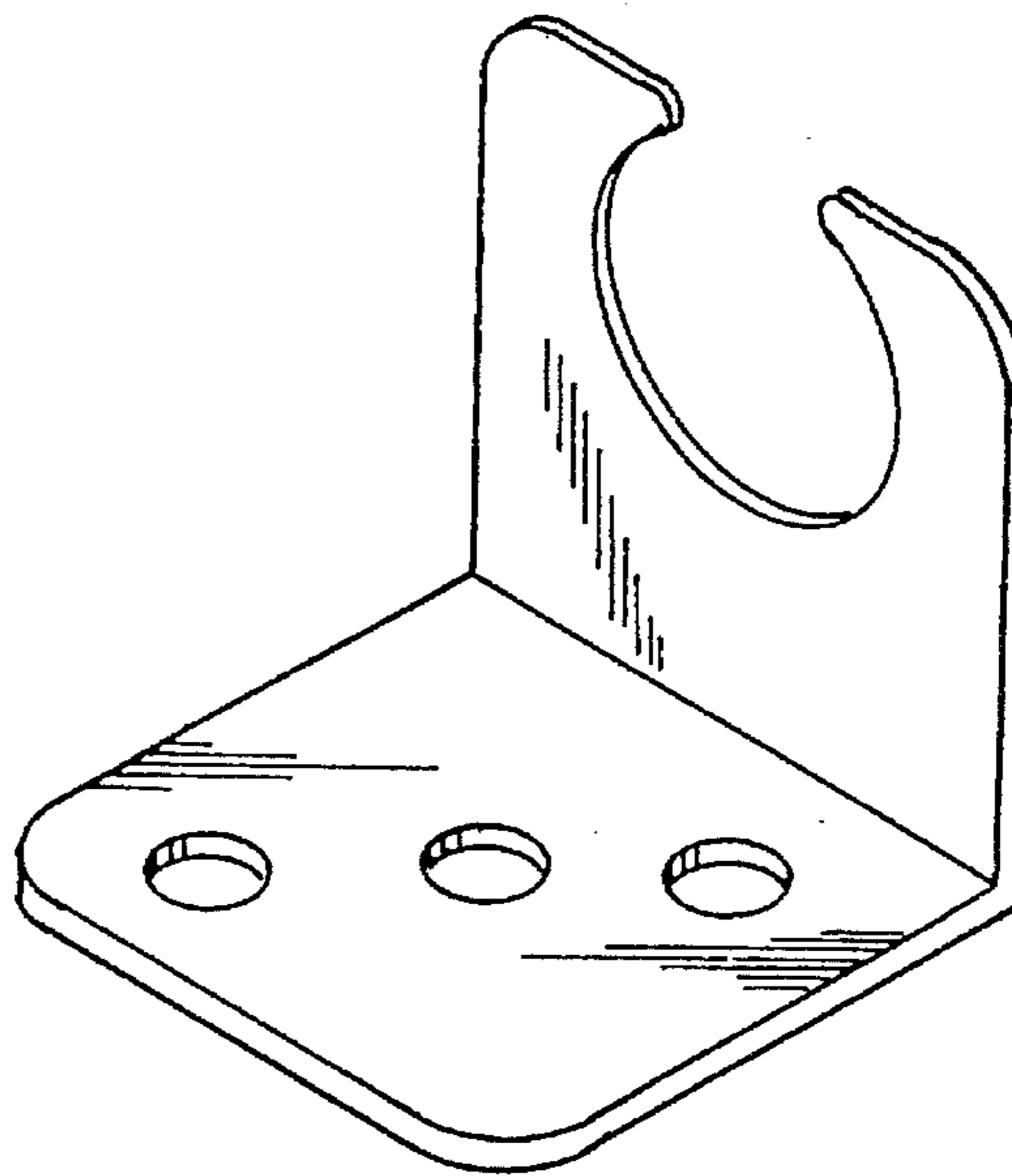
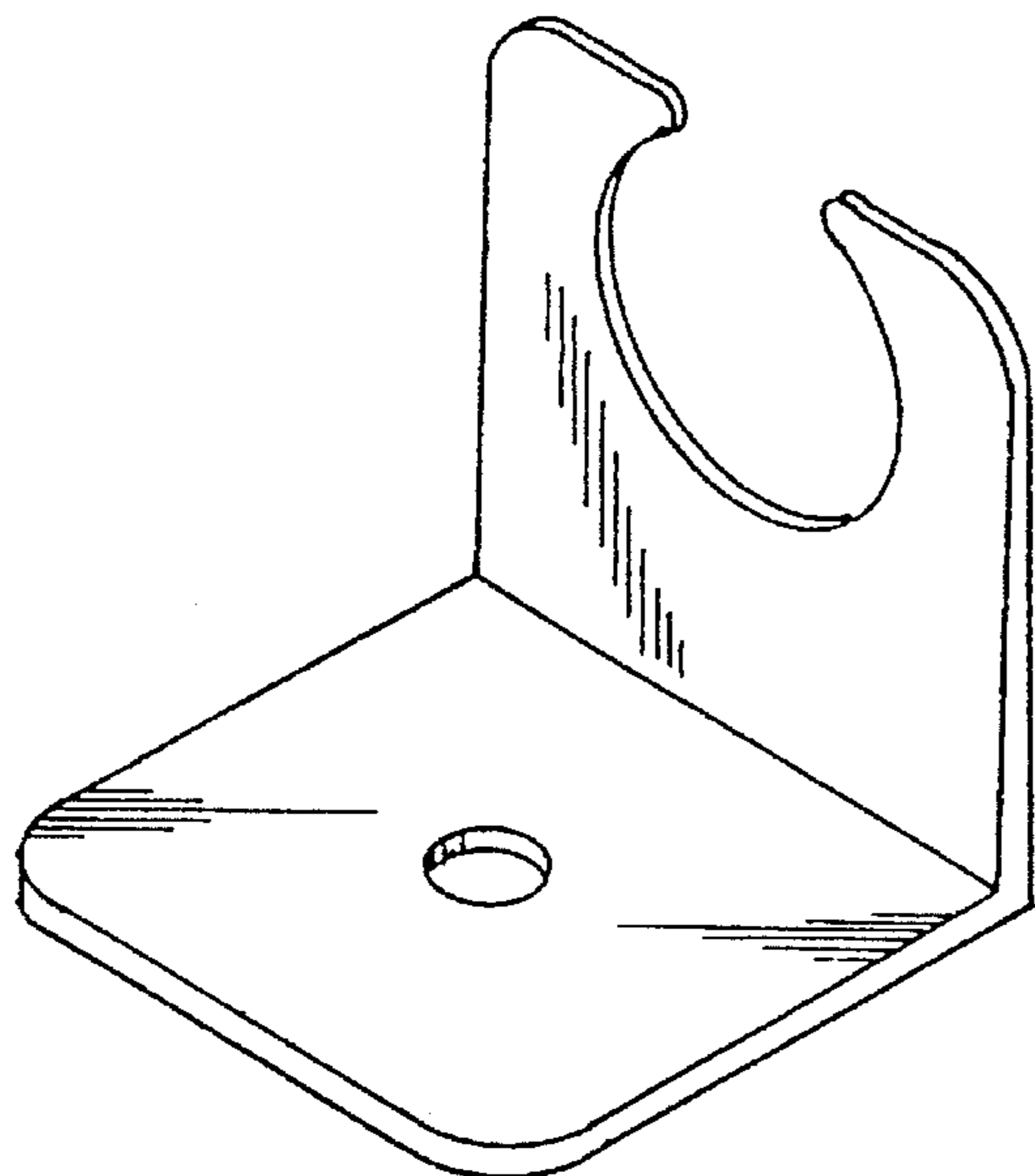
FIG. 3 is an isometric view thereof shown from the bottom and same end as that of FIG. 2;

FIG. 4 is an isometric view of a second embodiment of the bracket for decorative lights showing my new design from the top and one end;

FIG. 5 is an isometric view thereof shown from the top and end opposite that of FIG. 4; and,

FIG. 6 is an isometric view thereof shown from the bottom and same end as that of FIG. 5.

1 Claim, 1 Drawing Sheet



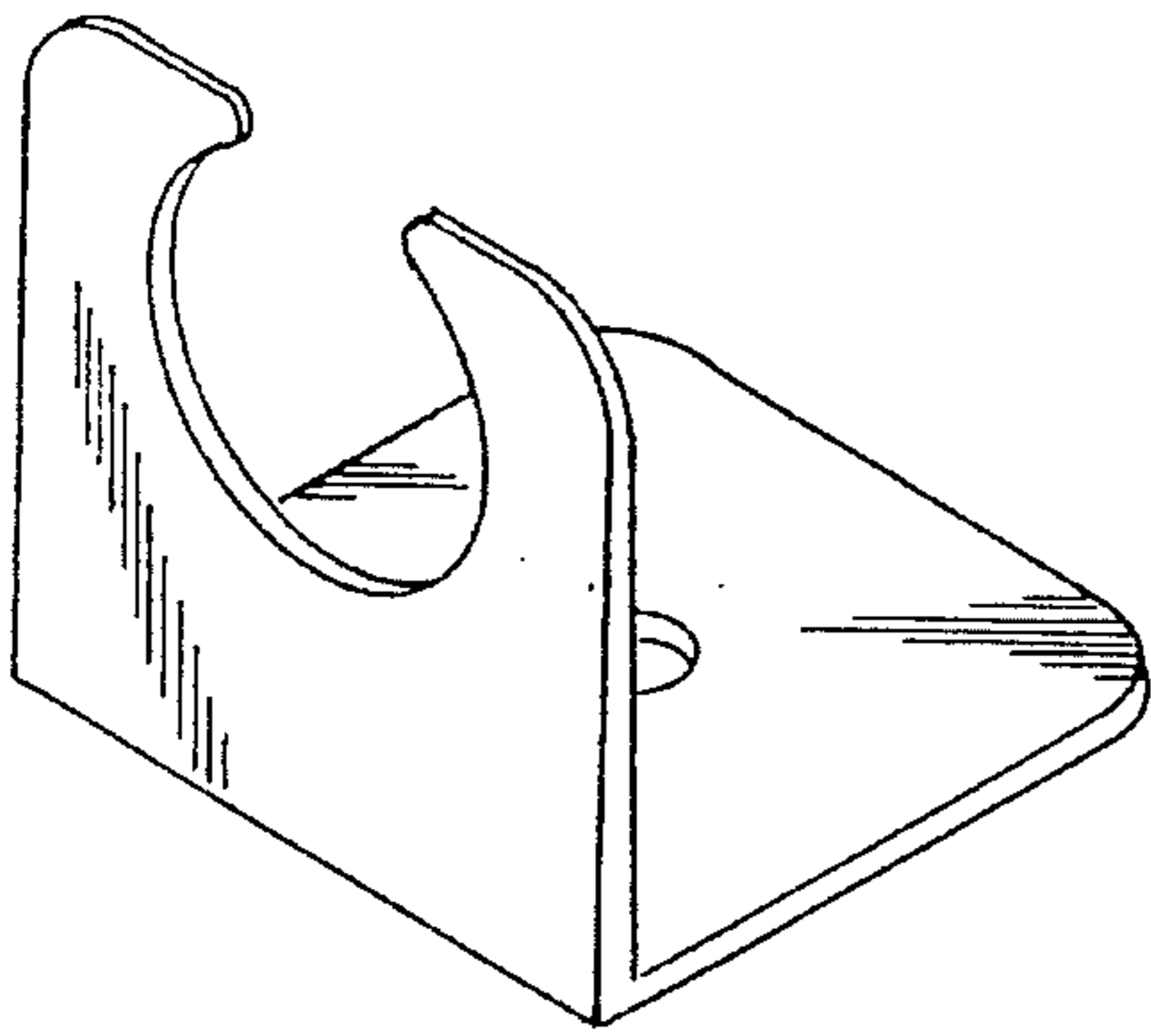


fig. 1

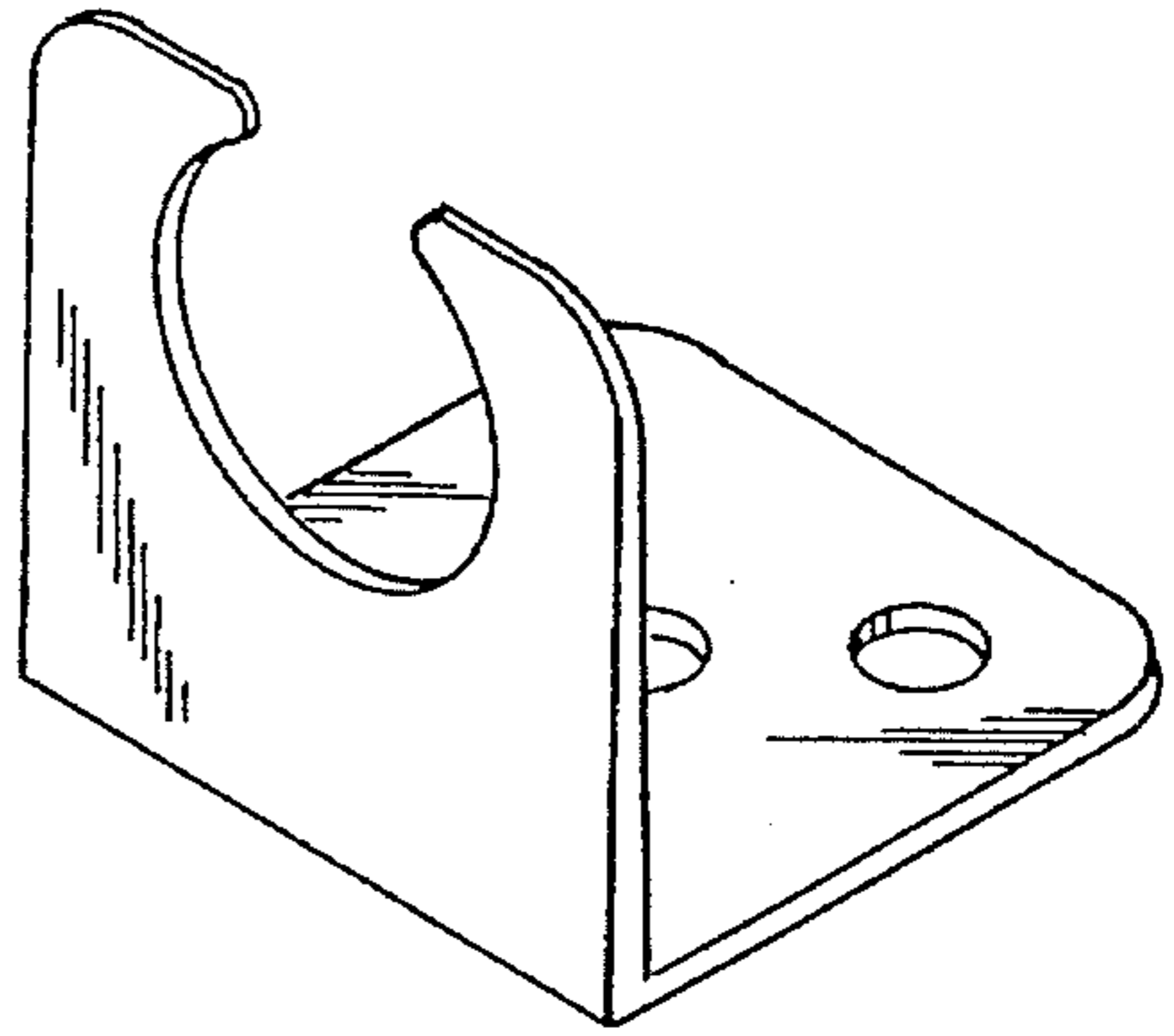


fig. 4

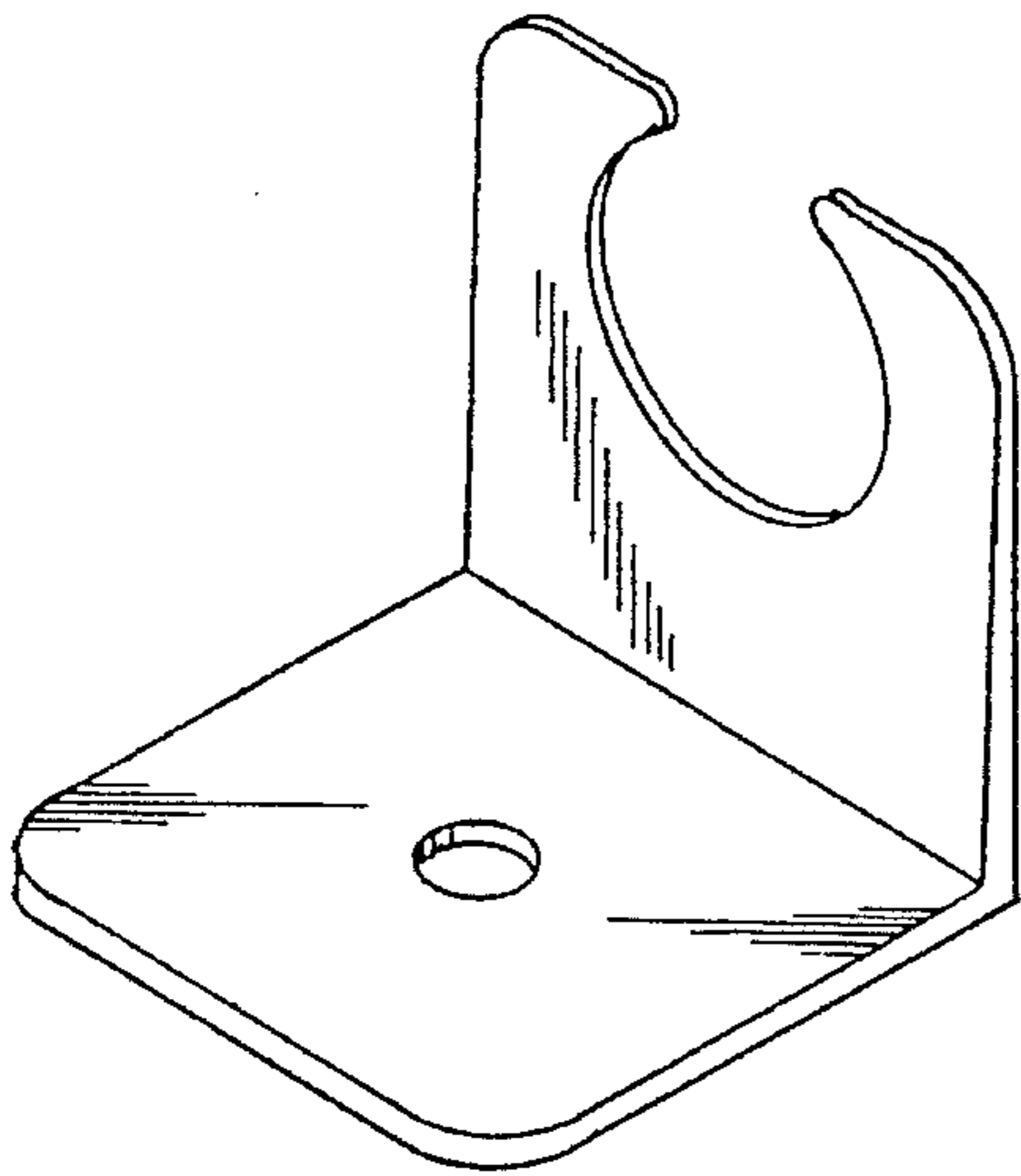


fig. 2

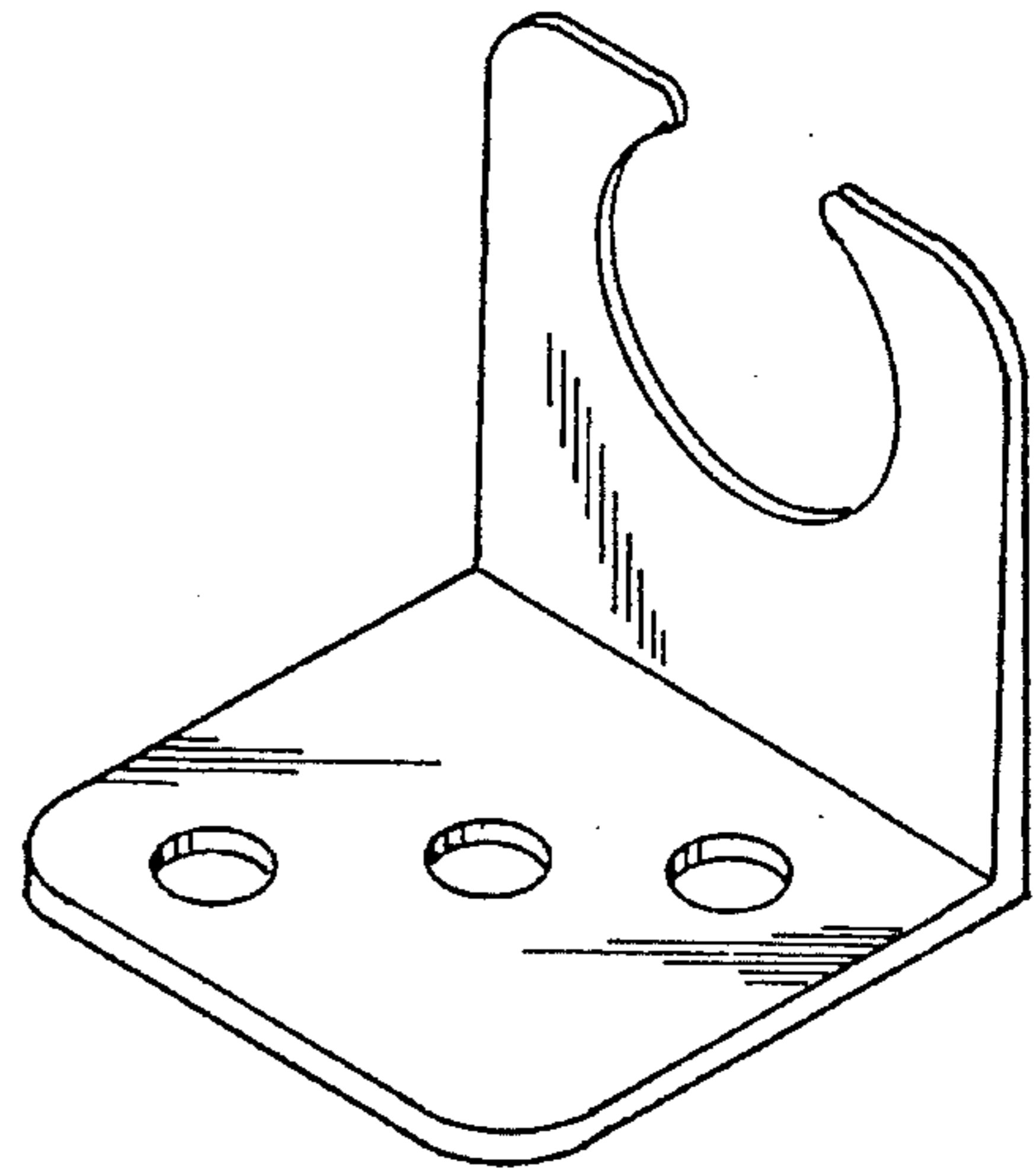


fig. 5

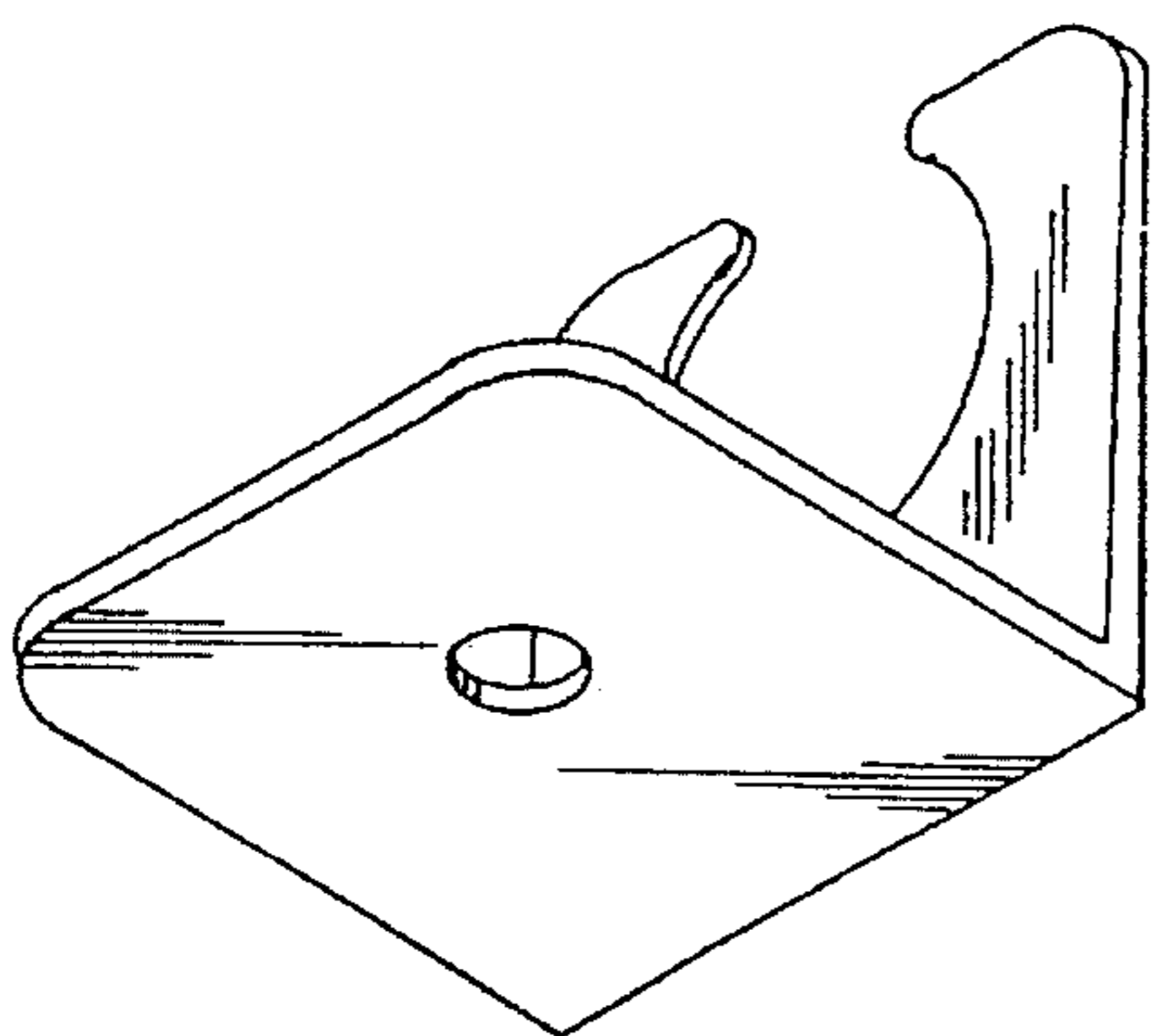


fig. 3

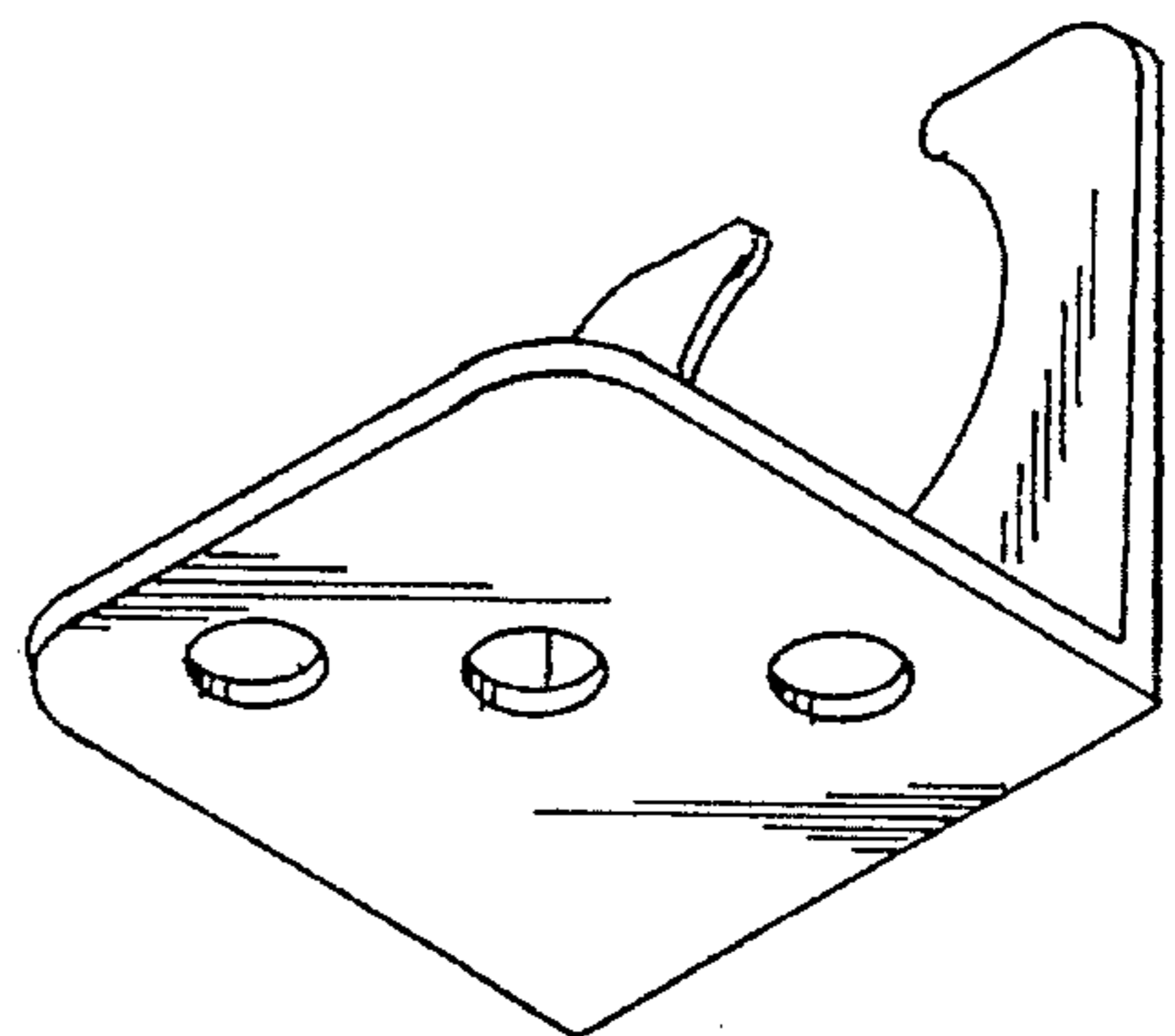


fig. 6