



US00D369956S

# United States Patent [19]

## Vogels

[11] **Patent Number: Des. 369,956**

[45] **Date of Patent: \*\*May 21, 1996**

[54] **TV SUPPORT**

[75] Inventor: **Henricus H. Vogels**, Eindhoven, Netherlands

[73] Assignee: **Vogel's Holding B.V.**, Eindhoven, Netherlands

[\*\*] Term: **14 Years**

[21] Appl. No.: **34,385**

[22] Filed: **Feb. 3, 1995**

### [30] Foreign Application Priority Data

Oct. 17, 1994 [XH] Hague Agreement ..... DMA/002670

[52] **U.S. Cl.** ..... **D8/363; D6/567**

[58] **Field of Search** ..... D6/553, 567, 570; D8/354, 373, 380; 248/670, 220.2, 235, 241, 274, 284, 281.1, 291, 312; 211/96, 100

### [56] References Cited

#### U.S. PATENT DOCUMENTS

D. 320,928 10/1991 Boscacci et al. .... D6/567 X

D. 337,719	7/1993	Burns	.....	D8/363
D. 352,652	11/1994	Vogels	.....	D8/363
3,916,627	11/1975	Carlisle et al.	.....	248/310 X
4,659,047	4/1987	Haller	.....	248/310 X

*Primary Examiner*—Brian N. Vinson  
*Attorney, Agent, or Firm*—Ladas & Parry

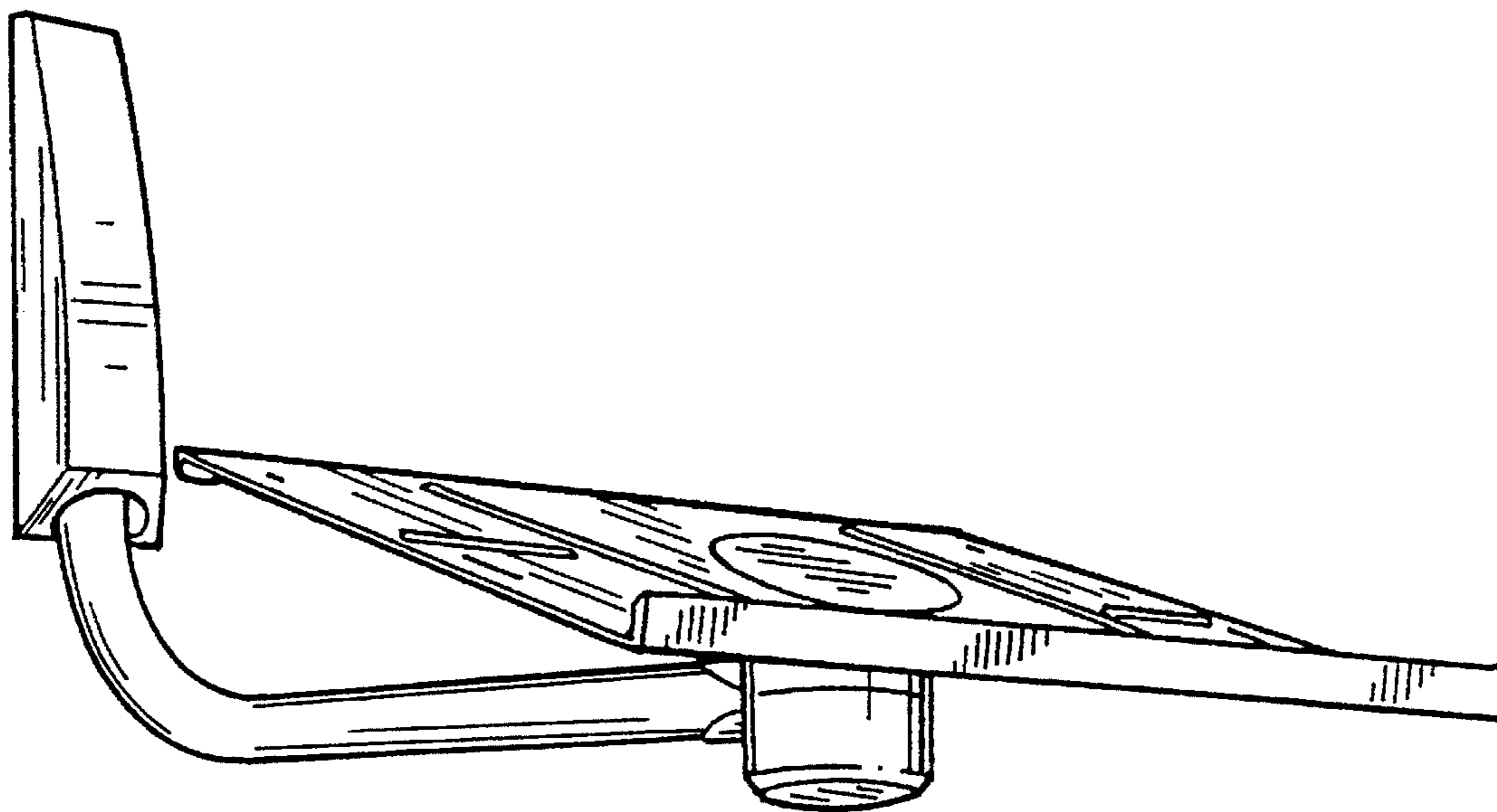
### [57] CLAIM

The ornamental design for a TV support, as shown.

### DESCRIPTION

FIG. 1 is a perspective view of a TV support showing my new design;  
FIG. 2 is a front elevational view thereof;  
FIG. 3 is a rear elevational view thereof;  
FIG. 4 is a right side elevational view thereof;  
FIG. 5 is a left side elevational view thereof;  
FIG. 6 is a top plan view thereof; and,  
FIG. 7 is a bottom plan view thereof.

**1 Claim, 4 Drawing Sheets**



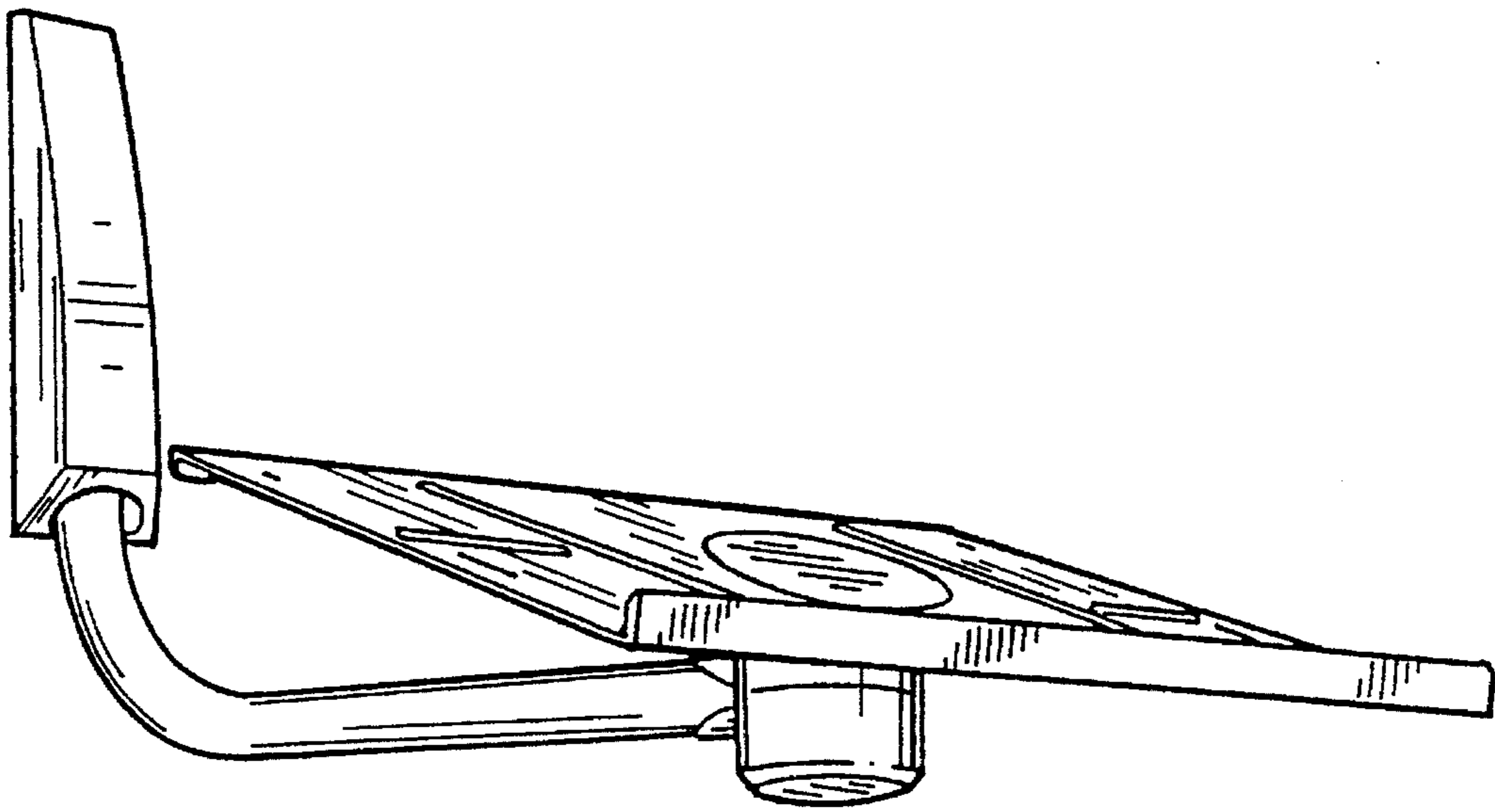


FIG. 1

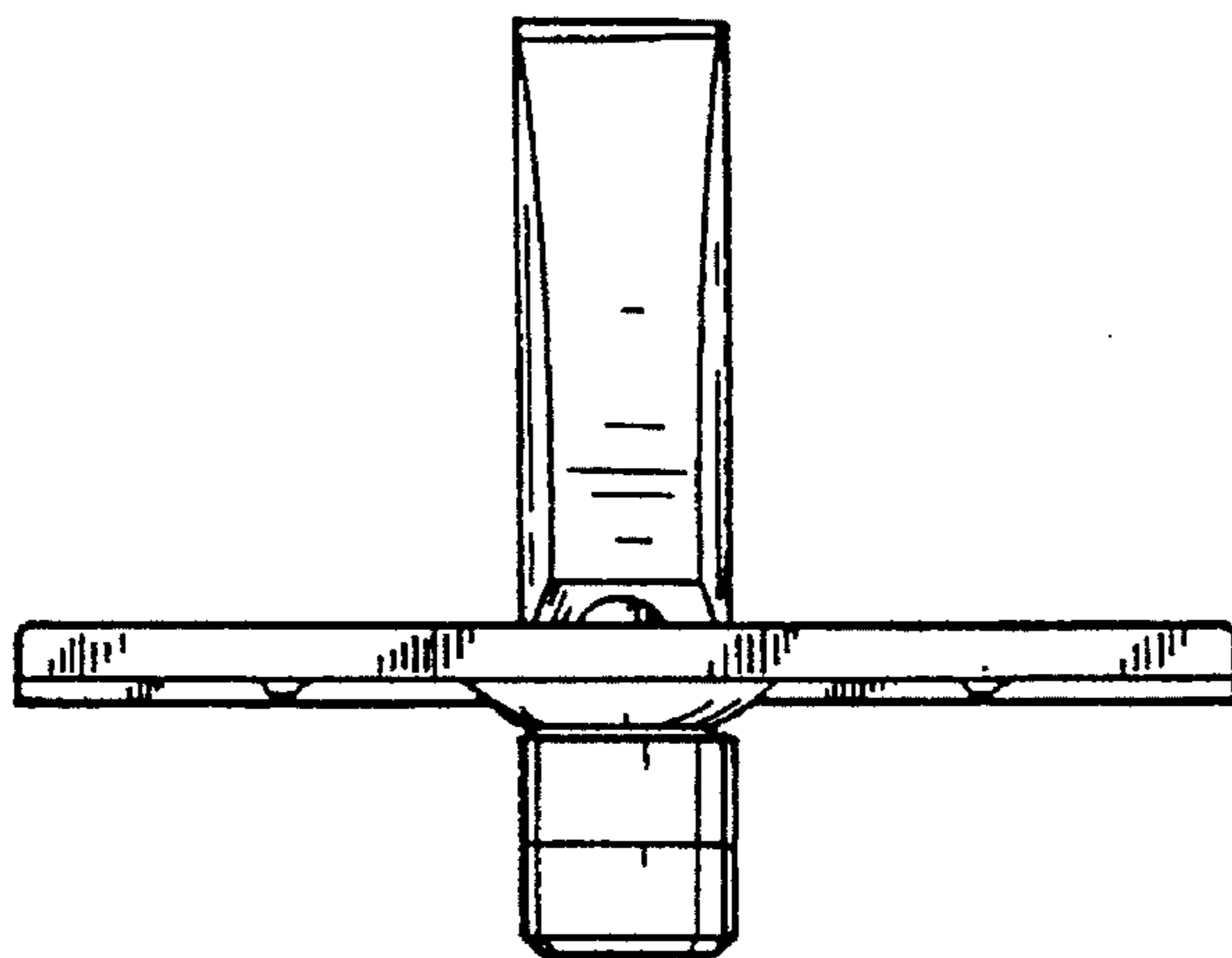


FIG. 2

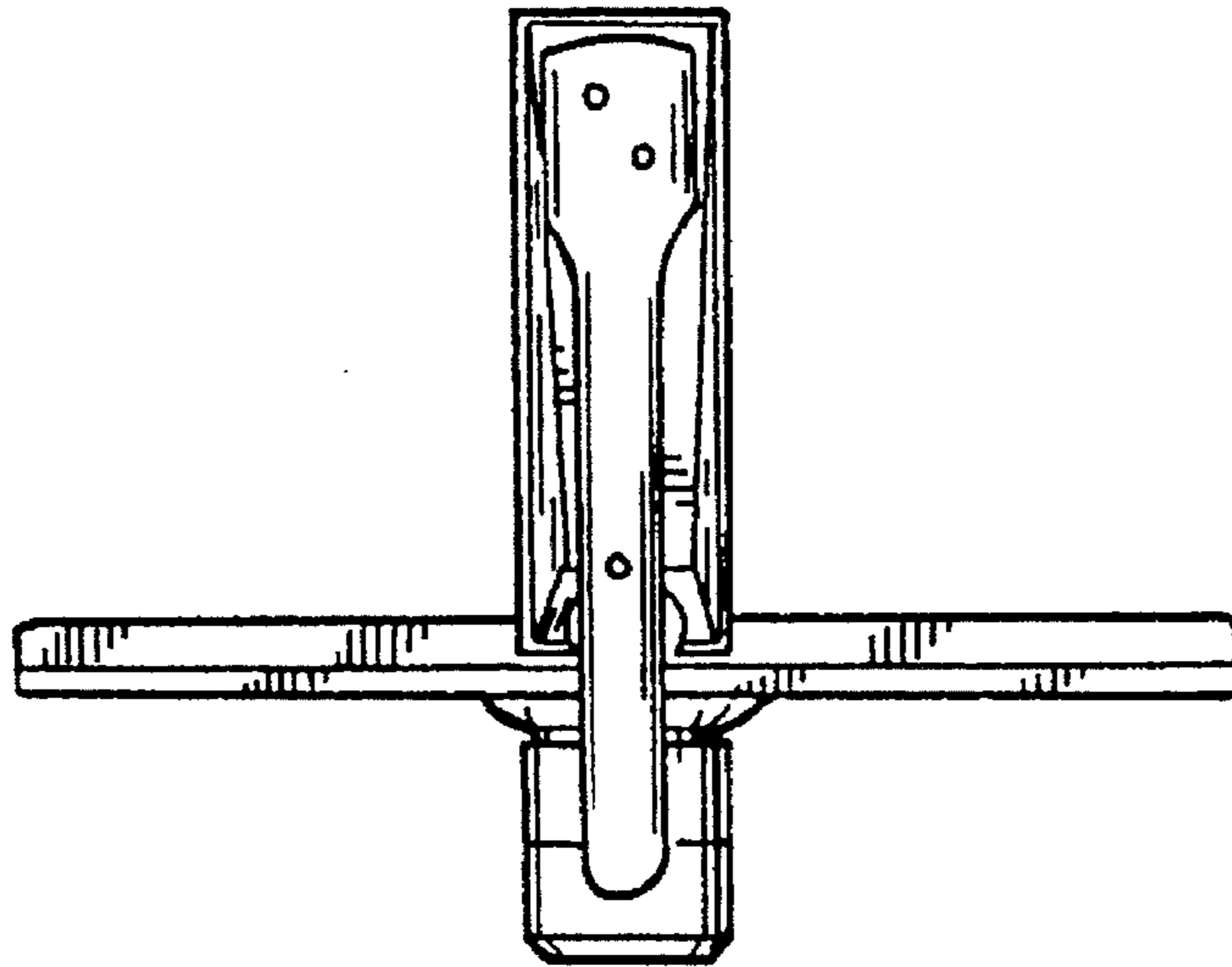


FIG. 3

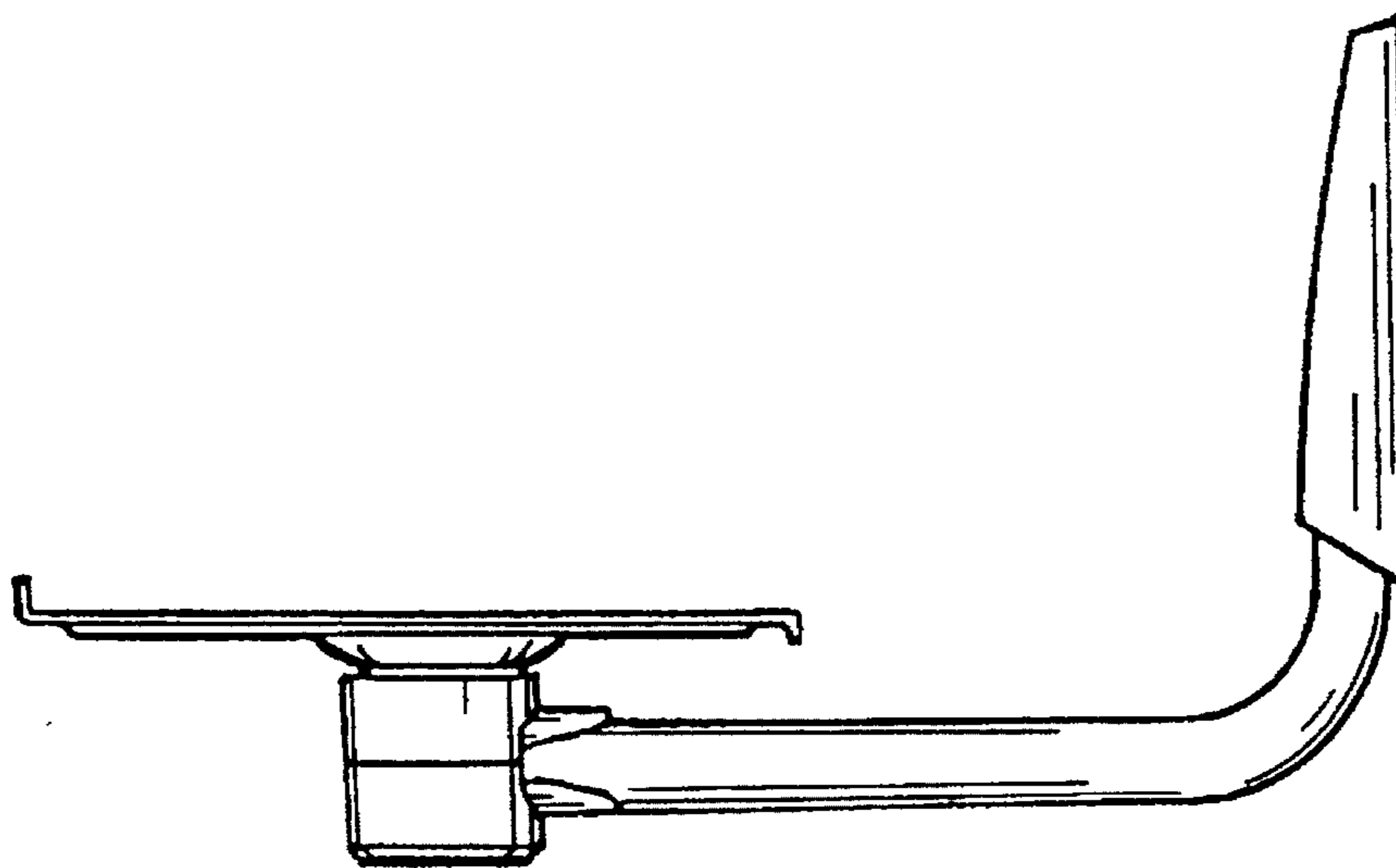


FIG. 4

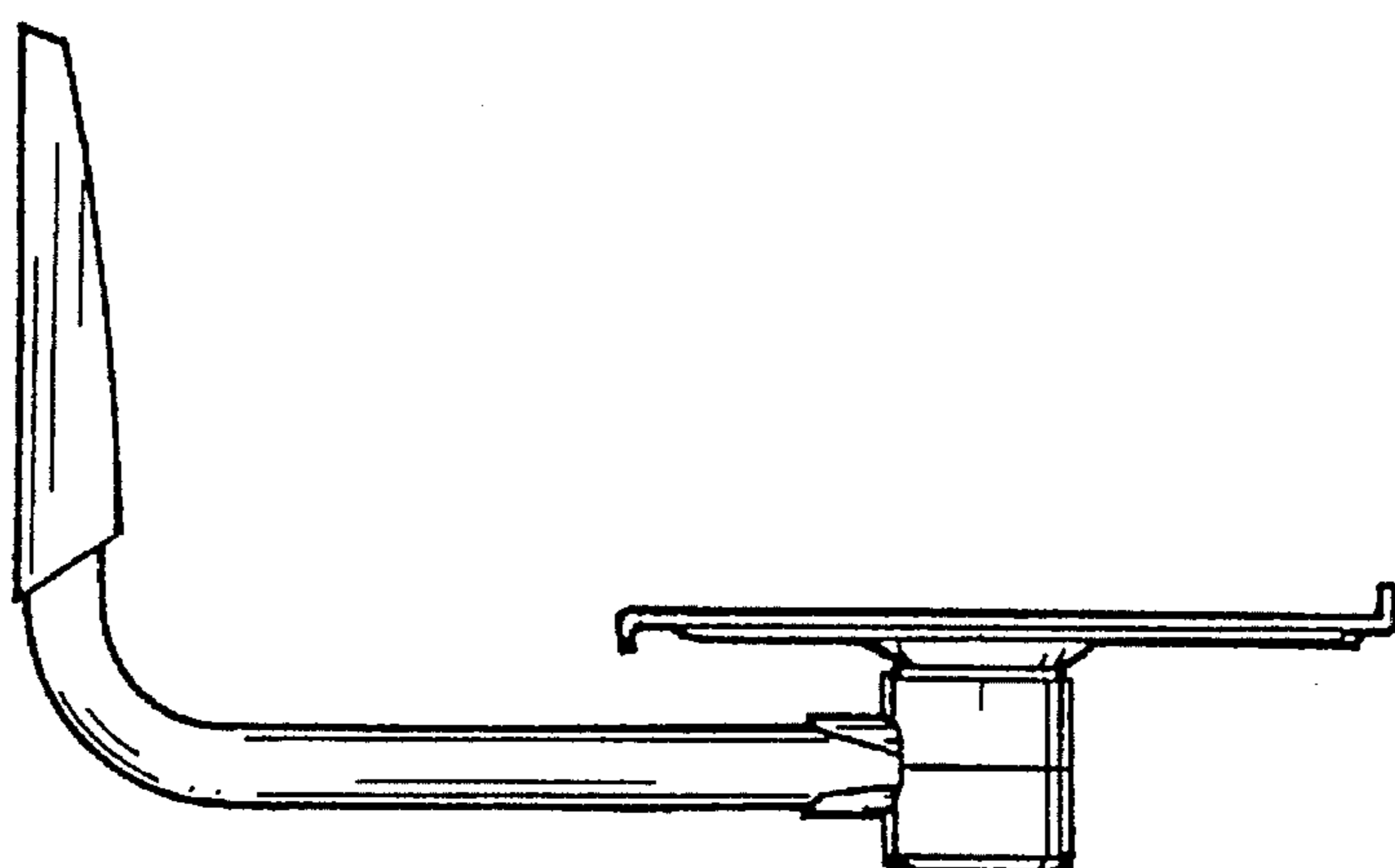


FIG. 5

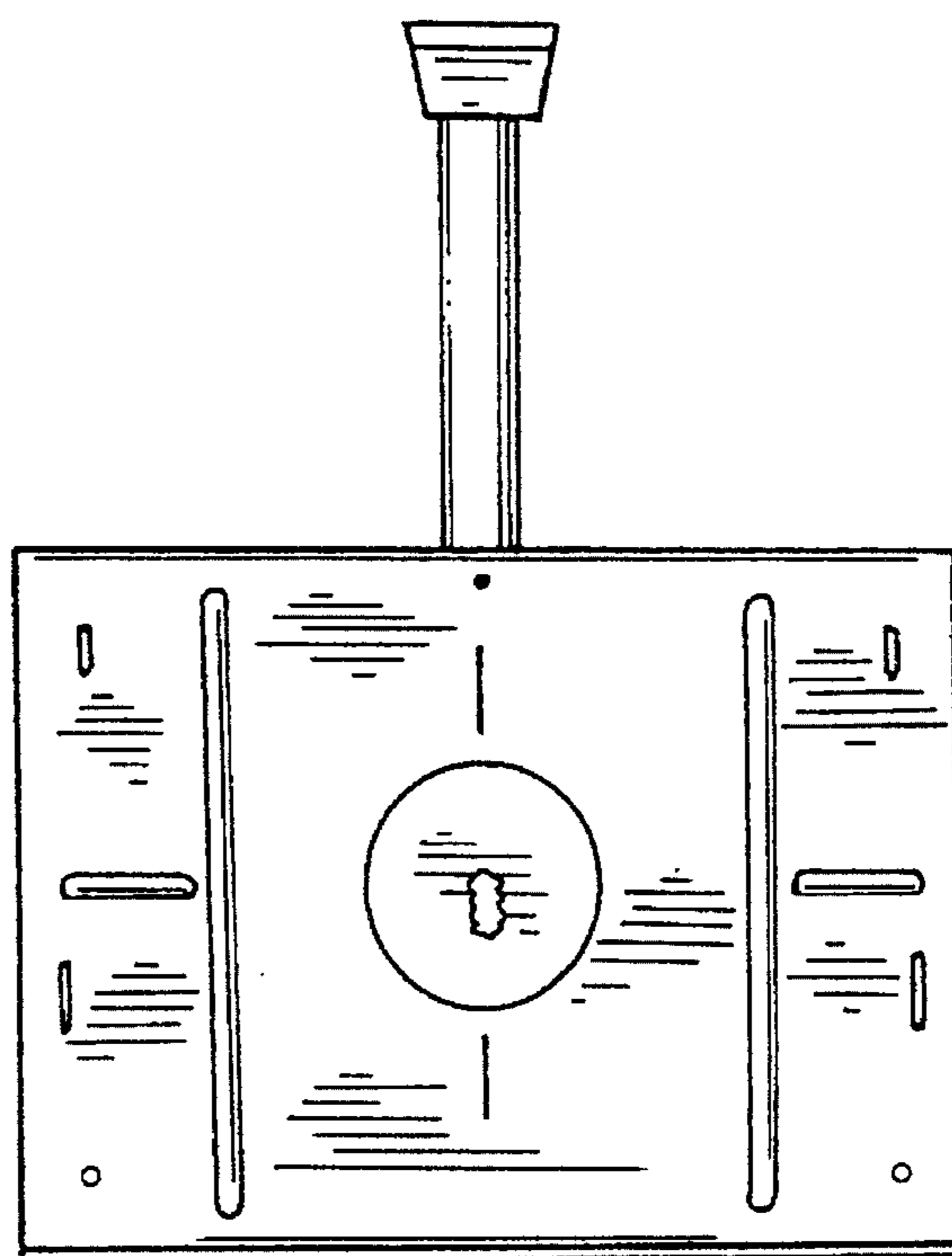


FIG. 6

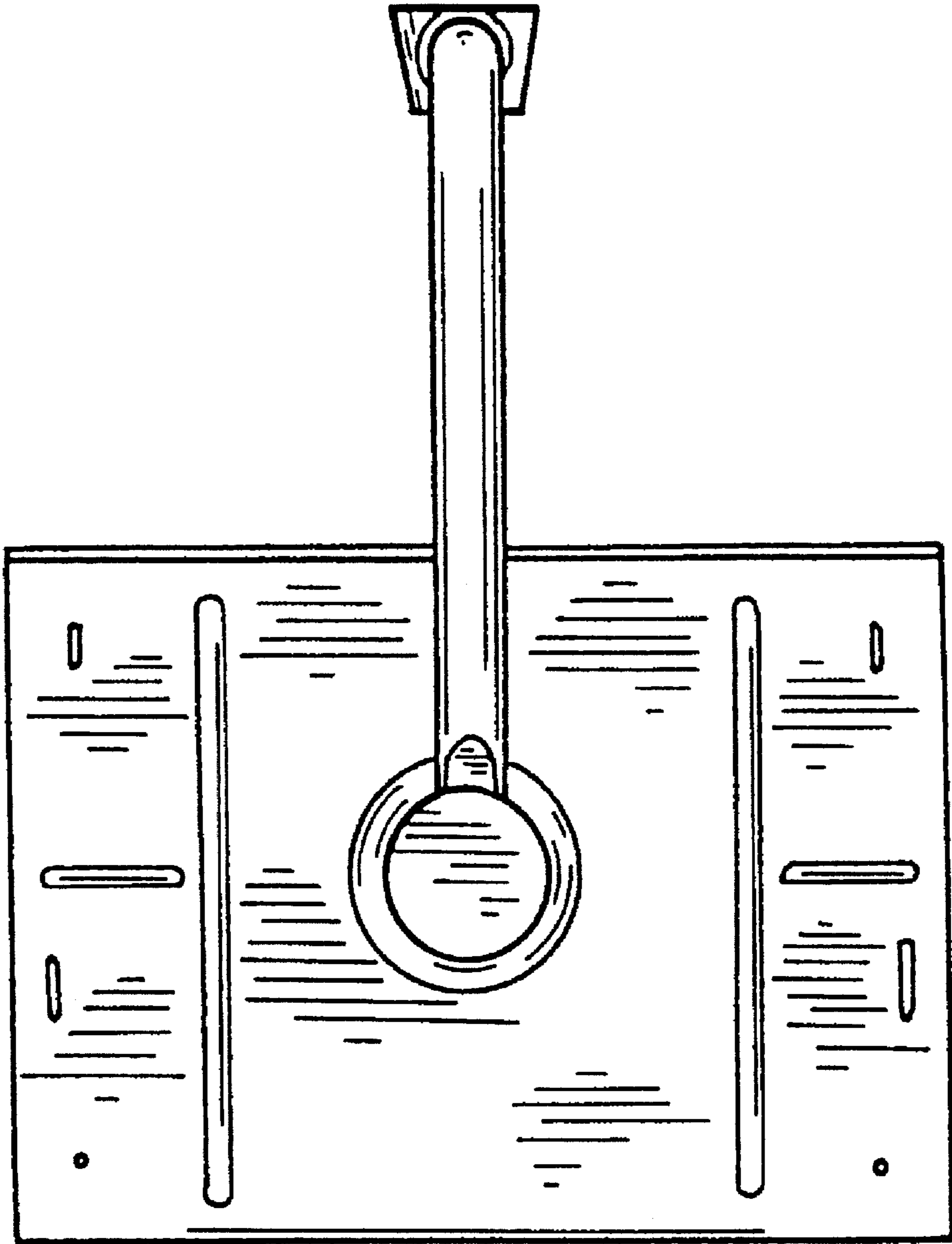


FIG. 7