



US00D369949S

United States Patent [19]

[11] Patent Number: **Des. 369,949**

Bocicaut

[45] Date of Patent: ****May 21, 1996**

[54] **FOOD PRESS**

Primary Examiner—Terry A. Wallace
Attorney, Agent, or Firm—John R. Doherty

[76] Inventor: **Guy Bocicaut**, 2 Vanzant St. Apt. A18,
East Norwalk, Conn. 06855

[57] **CLAIM**

[**] Term: **14 Years**

The ornamental design for a food press, as shown and described.

[21] Appl. No.: **39,108**

DESCRIPTION

[22] Filed: **May 17, 1995**

[52] U.S. Cl. **D7/674**

[58] Field of Search D7/672-674; 425/338,
425/409, 410, 422

FIG. 1 is a perspective view of a food press showing my new design, the food press being shown in an open position;
FIG. 2 is a left side elevation view thereof the opposite side being identical;
FIG. 3 is a top plan view thereof;
FIG. 4 is a rear elevation view thereof;
FIG. 5 is a front elevation view thereof;
FIG. 6 is a bottom view thereof; and,
FIG. 7 is a perspective view thereof in a closed position.

[56] **References Cited**

U.S. PATENT DOCUMENTS

D. 153,820	5/1949	Osgood et al.	D7/674
D. 190,089	4/1961	Bania	D7/674
D. 203,762	2/1966	Dayton	D7/674
D. 206,606	1/1967	Brown	D7/674

1 Claim, 5 Drawing Sheets

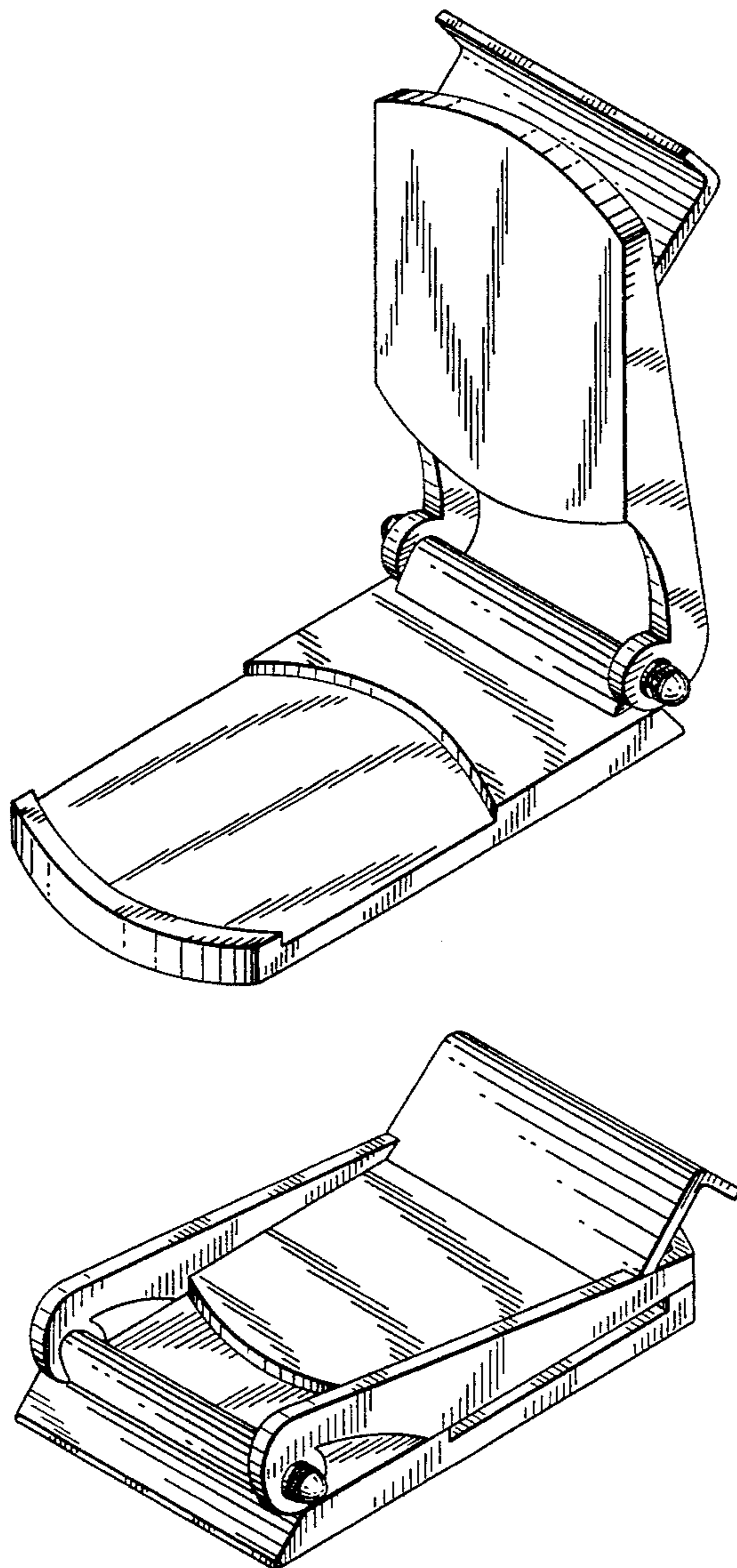


FIG. 1

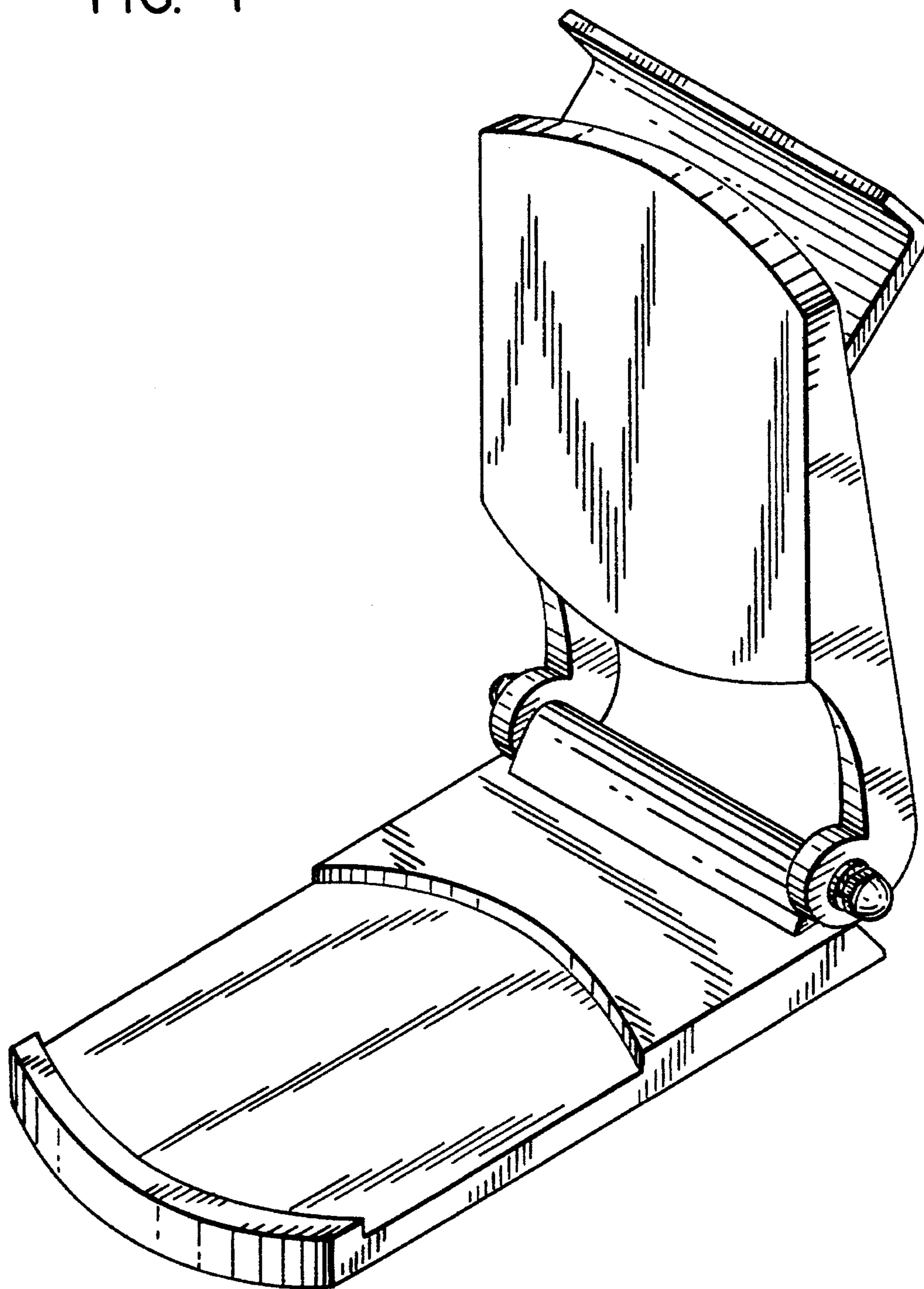
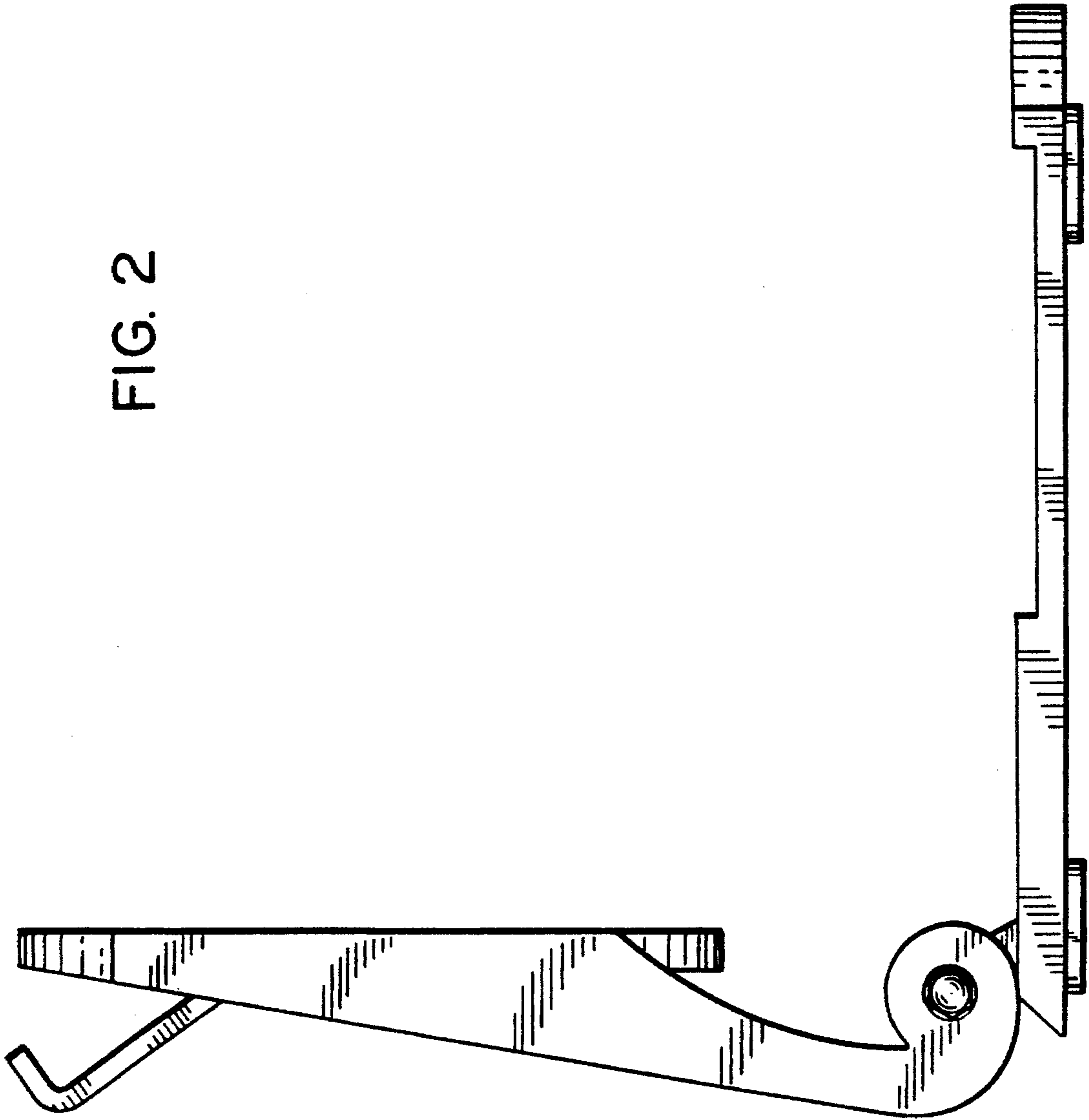


FIG. 2



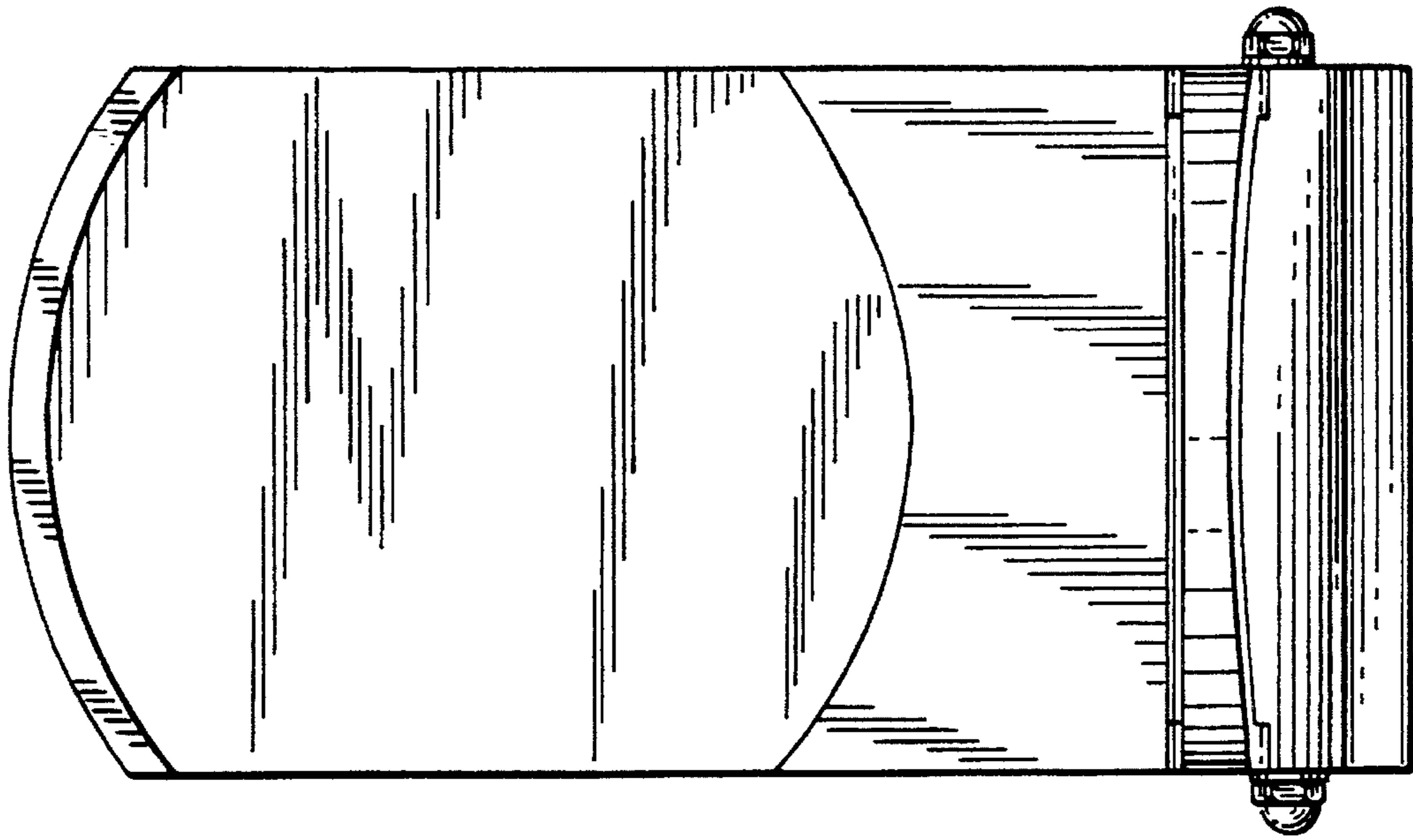


FIG. 3

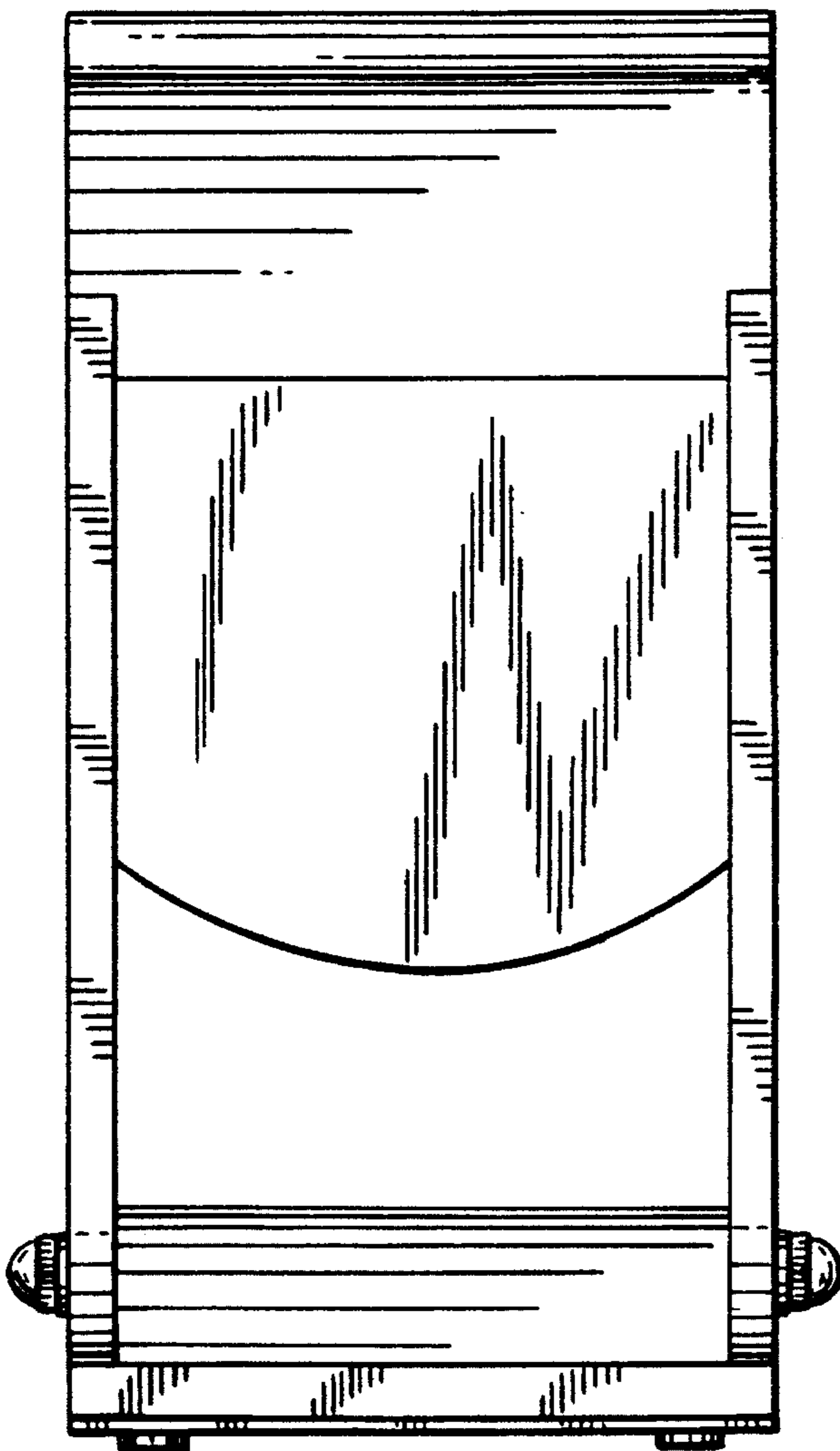


FIG. 4

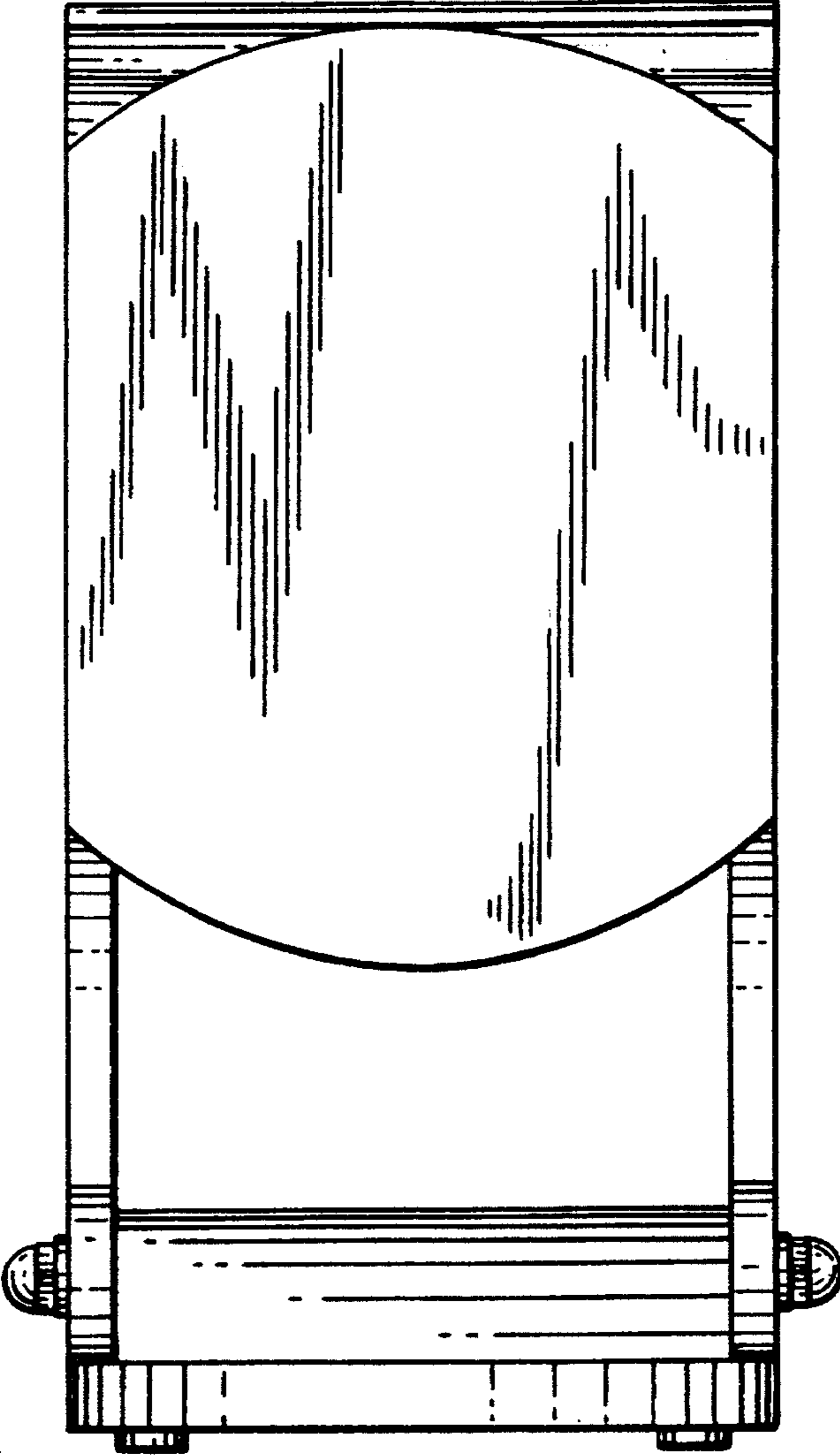


FIG. 5

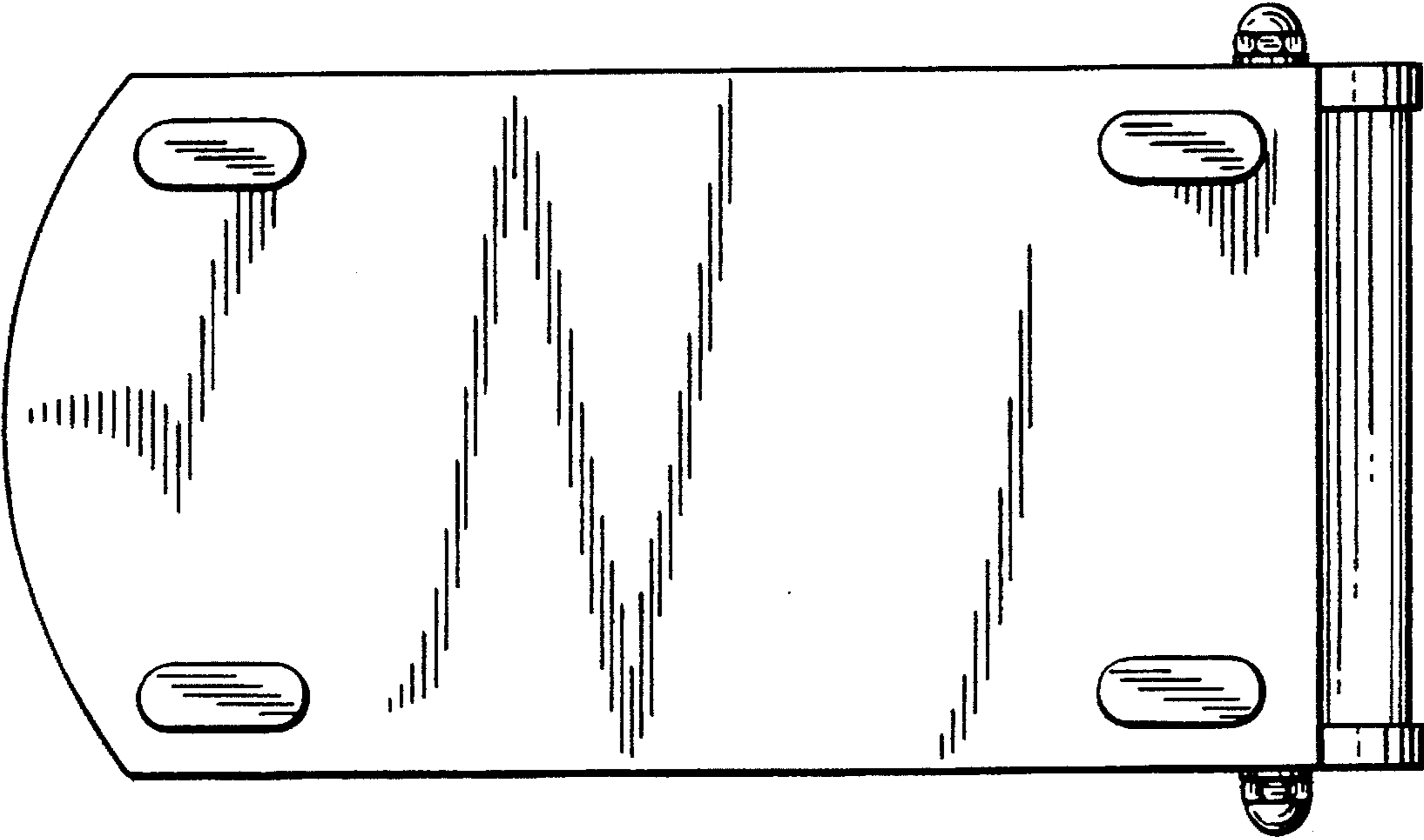


FIG. 6

FIG. 7

